

# SWISHER®

## *Illustrated Parts Manual*

STARTING SERIAL # L116-001001

**Model #: ZTR66FC**

**Description: 66" Finish Cut Attachment**

20387 REV 16-001

8/22/2019

**SWISHER ACQUISITION INC.**

**1602 Corporate Drive, Warrensburg Missouri 64093**

**Phone: 660-747-8183 FAX: 660-747-8650 Toll Free: 1-800-222-8183**



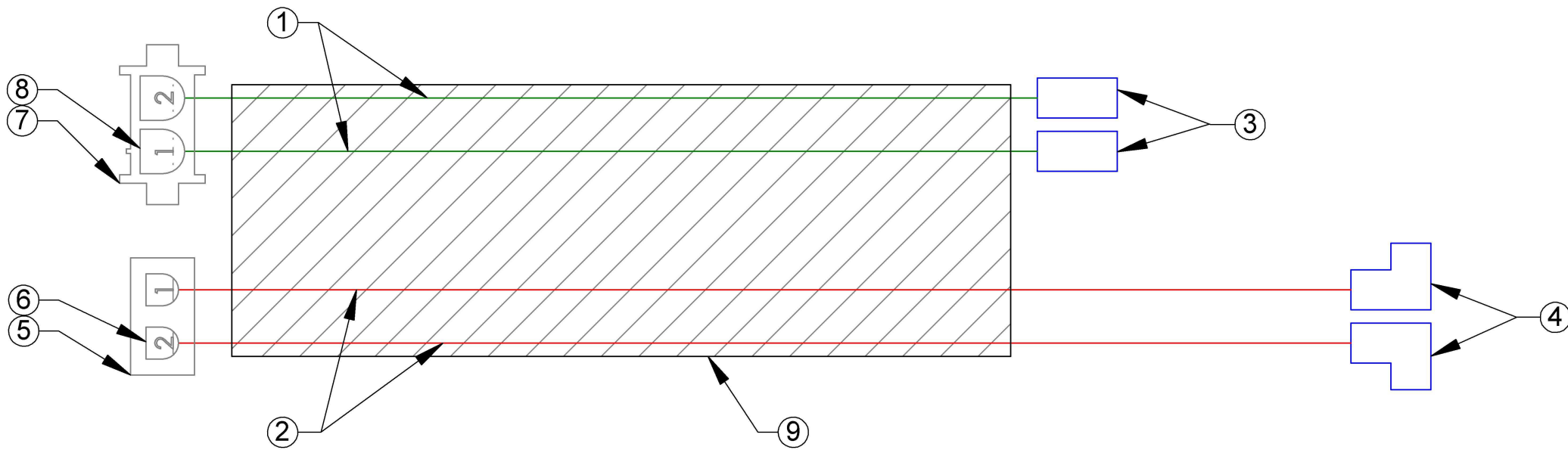
# Table of Contents

Electrical Schematic	3
Main Deck Diagram	4
Main Deck Parts List	5
Deck Components Diagram	6
Deck Components Parts List	7
Rocker Shaft Diagram	8
Rocker Shaft Parts List	9
Radius Arm Diagram & Parts List	10
Grass Chute Diagram & Parts List	11
Notes	12

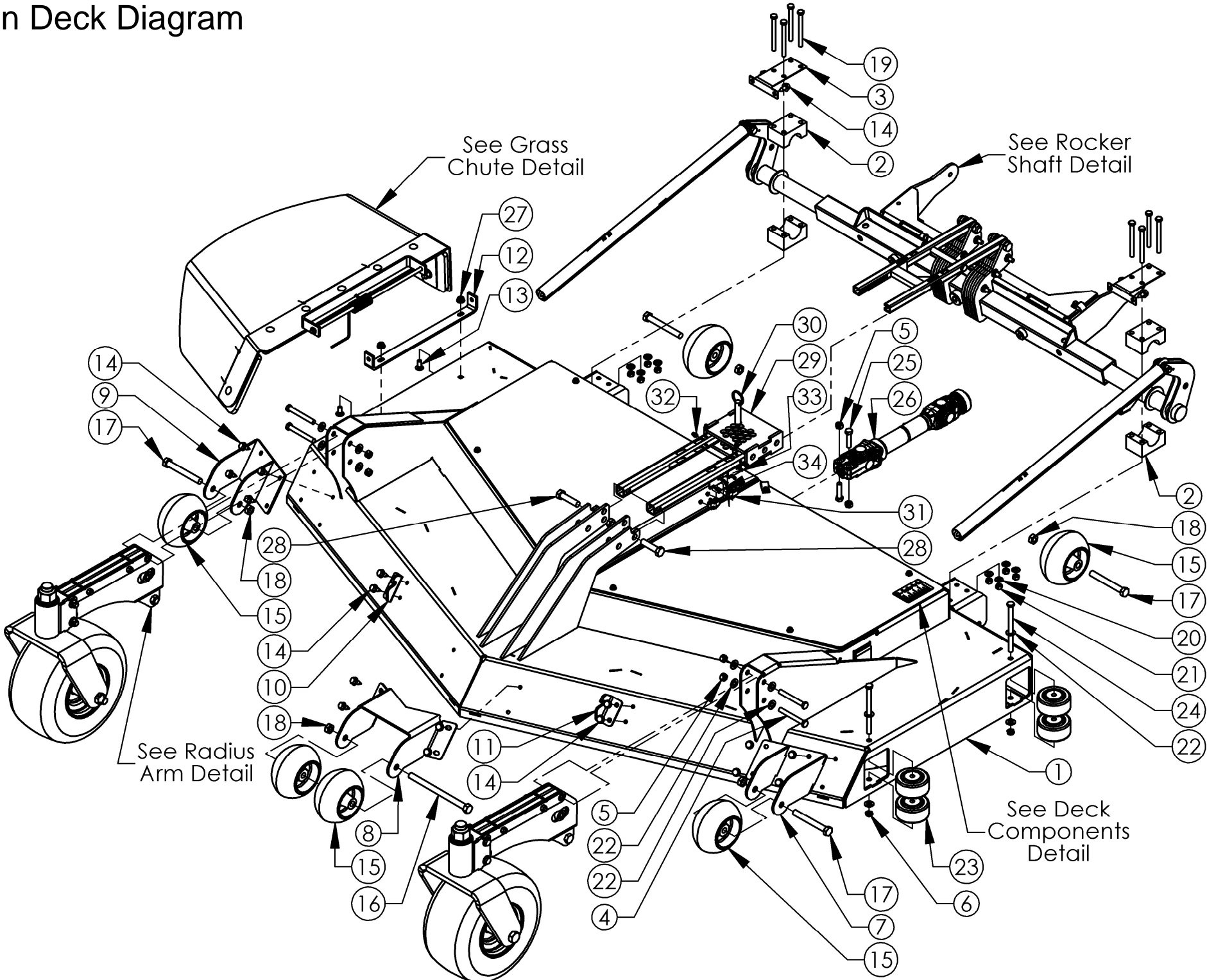
# Electrical Schematic

## 20333 - Wire Harness - Front Mount, ZTR66FC

ITEM NO.	MFG. PART NO.	DESCRIPTION	QTY.
1	N/A	Green, 16 AWG	2 @ 36"
2	N/A	Red, 16 AWG	2 @ 38"
3	19002-0028	MOLEX 3/16" Female, Straight	2
4	19006-0015	MOLEX 3/16" Female, 90° Flag	2
5	50-84-1020	MOLEX 2-Pin Plug; Male	1
6	02-08-2004	Male Pin Terminal,	2
7	50-84-2020	MOLEX 2-Pin Plug; Female	1
8	02-08-1002	Female Pin Terminal	2
9	N/A	Ø3/8" Conduit , Split ; Black	1 @ 35"



# Main Deck Diagram



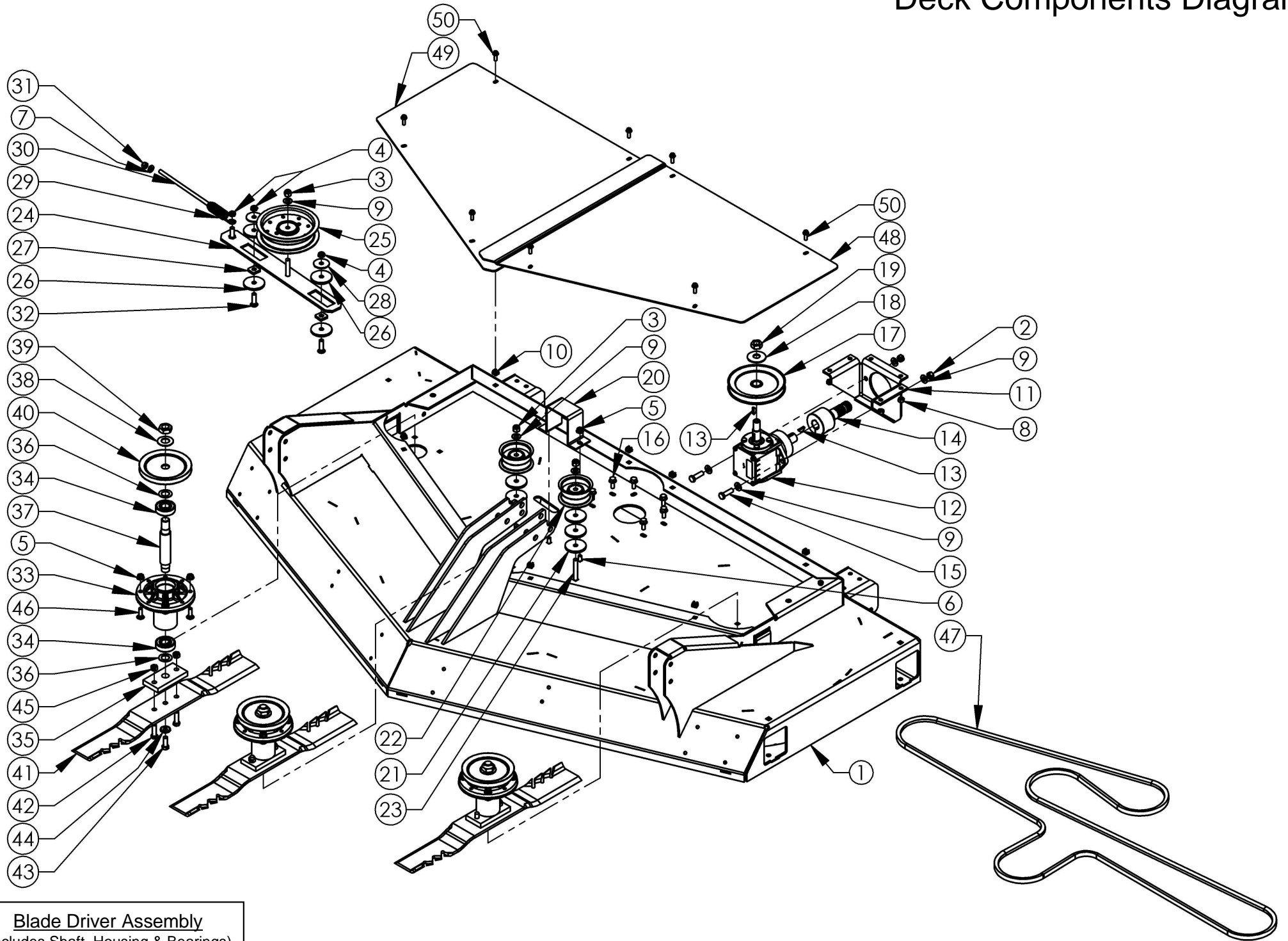
# Main Deck Parts List

ITEM NO.	PART NUMBER	DESCRIPTION
1	20303*	Weldment - 66" x 3/16", Front Mount
2	19254	Pillow Block - Half, UHMW
3	19316*	Plate - Pillow Block Cover
4	NB150	Bolt - 3/8-16 X 3 HCC GR5 ZY
5	NB280	Nut - 2 Way Lock 3/8-16 ZY & Wax Gr A
6	NB207	Nut - Jam, Nyloc 3/8-16 ZY
7	19263*	Weldment - Anti-Scalp Bracket, Left
8	19265*	Bracket - Center Anti-Scalp Wheel
9	19264*	Weldment - Anti-Scalp Bracket, Right
10	19728*	Bracket - Chain Mount, Right
11	19727*	Bracket - Chain Mount, Left
12	19297*	Bracket - Grass Chute Mount
13	10216	Bolt - Carriage 5/16-18X3/4 GR5 ZY
14	26X249	Screw - .312-18 X .75 Black Zinc
15	3511	Gauge - Wheel
16	NB108	Bolt - 1/2-13 X 7 HCS GR5 ZY
17	NB132	Bolt - 1/2-13 X 4 HCC GR5 ZY
18	NB121	Nut - Jam Lock, 1/2-13 2-Way Gr A
19	19692	Bolt - Hex, 5/16-18 x 3 1/2; ZP
20	NB275	Washer - SAE Flat 5/16 ZY
21	NB558	Nut - Lock, 5/16-18 ZY 2 Way Grade A
22	NB272	Washer - SAE Flat 3/8 ZY Carbon Steel
23	AS001	Roller - Anti-Scalp 3/8 ID
24	NB199	Bolt - 3/8-16 X 5 HCC GR5 ZP
25	NB107	Bolt - 3/8-16 X 1 1/2 HCC GR5 ZY
26	19369	Shaft - PTO Quick Disconnect 1-15 Spline
27	NB170	Nut - Serr Flange 5/16-18 ZY Case Hrd
28	NB509	Bolt - 1/2-13 X 2 HCC GR5 ZY
29	20317Z	Weldment - Female, Deck Adjustment; ZP
30	20324	Pin - Ø1/2 x 1.5, Ball Lock; ZP
31	19451	Switch - Micro Lever, NC/NO
32	15355	Fitting - Grease Zerk 1952
33	19601	Screw - 4-40 X 5/8, Pan Head
34	19602	Nut - Kep, 4-40

## **When Ordering Replacement Parts:**

\* = USE PAINT CODE: TK=BLACK, TC=RED

# Deck Components Diagram



**Blade Driver Assembly**  
(Includes Shaft, Housing & Bearings)  
Part # 21008

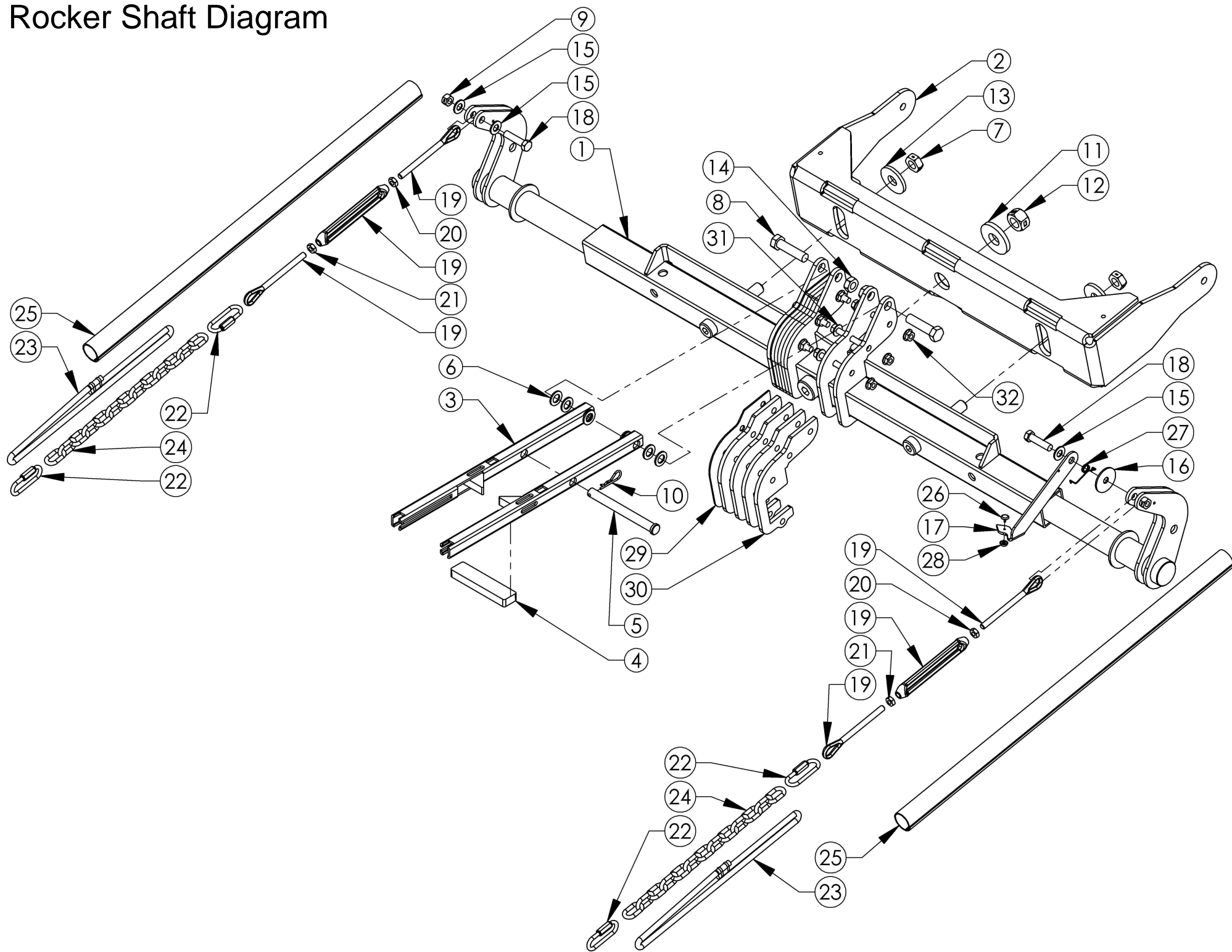
# Deck Components Parts List

ITEM NO.	PART NUMBER	DESCRIPTION
1	20303*	Weldment - 66" x 3/16", Front Mount
2	NB280	Nut - 2 Way Lock 3/8-16 ZY & Wax Gr A
3	NB182	Nut - Nyloc 3/8-16 ZY
4	NB207	Nut - Jam, Nyloc 3/8-16 ZY
5	NB170	Nut - Serr Flange 5/16-18 ZY Case Hrd
6	10216	Bolt - Carriage 5/16-18X3/4 GR5 ZY
7	NB275	Washer - SAE Flat 5/16 ZY
8	NB558	Nut - Lock, 5/16-18 ZY 2 Way Grade A
9	NB272	Washer - SAE Flat 3/8 ZY Carbon Steel
10	19038	Cage Nut - 1/4-20, 11GA
11	19286*	Bracket - Gearbox Mount, Output
12	19329	Gearbox - 90°-1:1, CW Input/CW Ouput
13	NB638	Key - Woodruff, 3/16 X 3/4 #9
14	19337	Adapter - Ø7/8 to Ø1-15 Spline
15	NB618	Bolt - 3/8-16 X 1 1/4 GR5 ZY
16	NB596	Bolt - Serr Flange, 5/16-18 X 3/4 Gr 5
17	19283	Pulley - Deck Drive, 5.5"
18	19814	Washer - Belleville 5/8 X 1 3/4 X .098 ZP
19	19370	Nut - Hex Jam, 5/8-18 ZY
20	19339*	Bracket - Pulley Cover Support
21	6040Z	Washer - Idler, ZP
22	7509	Pulley - Idler OD-2.75", ID-3/8"
23	19313	Bolt - Carriage, 3/8-16X2 1/2 GR5 ZClear
24	19300*	Weldment - Deck Idler
25	18607	Pulley - Backside Idler, 5"
26	18874	Washer - Plastic 2" OD X 3/8" ID X .188
27	18875	Washer - Plastic 7/8 SQ X 3/8" ID X .250
28	10177	Washer - Fender 3/8 X 1.5, Crbn Stl GR 2
29	4422	Spring - Idler Tension, Bent Leg
30	19318	Bolt - Spade, 5/16-18 X 8.5 ZY
31	NB181	Nut - Nyloc 5/16-18 ZY
32	10501	Bolt - Carriage 3/8-16 X 1 1/4 GR5 ZY
33	19439*	Housing - Cast Iron Blade Driver, Long
34	B98	Bearing - Blade
35	9008	Plate - Blade Mount
36	NB179	Washer - 3/4 ID X 1 1/4 OD 18 GA ZY
37	19247	Shaft - Blade, 6"; Long Shoulder
38	AS155	Washer - Belleville .760 X 1.5 X .098
39	NB175	Nut - Jam 3/4-16 Gr 2
40	20651	Pulley - Blade, 5"
41	20115	Blade - G6 Gator, 22.5"
42	NB166	Bolt - 3/8-24 X 1 1/4 HCS GR5 ZP
43	NB238N	Bolt - HHC 3/8-24 X 1 GR 5 Nyloc
44	NB607	Washer - SP Bellvl. PLN .413 X.945 X.118
45	NB216	Nut - Lock, Two Way 3/8-24 ZY Gr A
46	10197	Bolt - Carriage 5/16-18 X 1 GR5
47	19422	Belt - 146", A-Section; Deck
48	19260*	Cover - Belt, Left
49	19259*	Cover - Belt, Right
50	NB690	Bolt - Serr Flange, 1/4-20 X 3/4 GR5 ZY

## When Ordering Replacement Parts:

\* = USE PAINT CODE: TK=BLACK, TC=RED

# Rocker Shaft Diagram





# Rocker Shaft Parts List

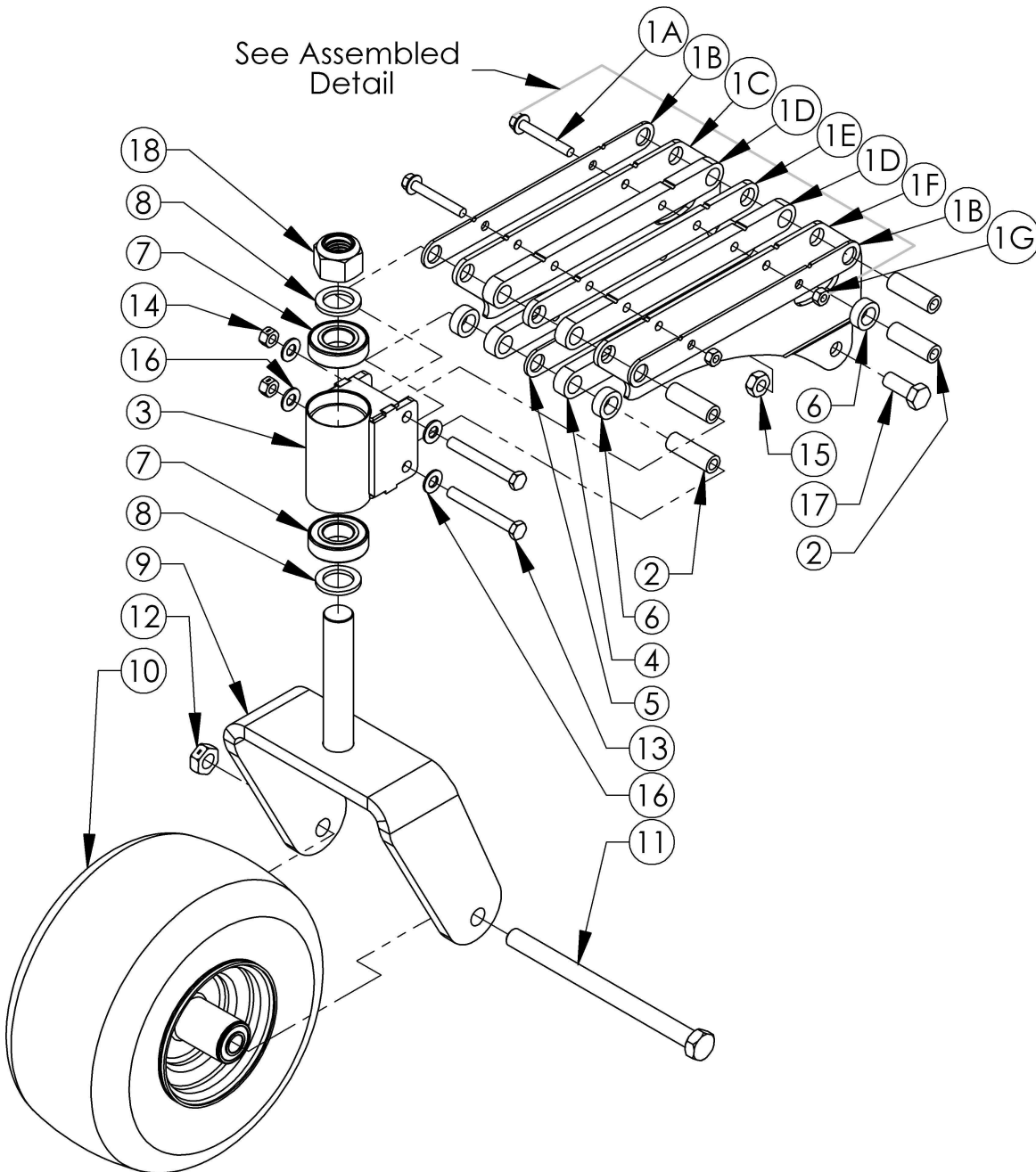
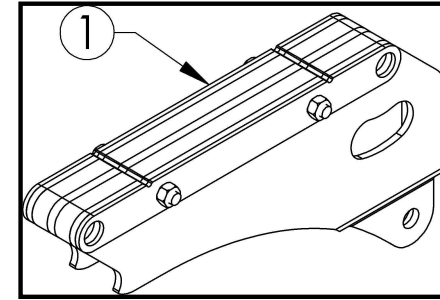
ITEM NO.	PART NUMBER	DESCRIPTION
1	20312*	Weldment - Rocker Shaft
2	19269*	Weldment - Quick Disconnect Deck
3	20321Z	Weldment - Male Tube, Deck Adjustment ZP
4	20322Z	Plate - Pin Stop; ZP
5	20323	Pin - Ø1/2 x 5; ZP
6	NB177	Washer - Mach 1/2 NR 14 GA
7	NB595	Nut - Lock Jam, 5/8-11 2 Way Grade A
8	NB509	Bolt - 1/2-13 X 2 HCC GR5 ZY
9	NB280	Nut - 2 Way Lock 3/8-16 ZY & Wax Gr A
10	NB127	Pin - Hair, #39 (A155H) ZY Std
11	19734Z	Washer - 3/4"ID X 2"OD X 1/4"; ZP
12	13997	Nut - 3/4-10; 2 Way Locking
13	19371	Washer - Ø5/8" X 3/16"; ZP
14	NB121	Nut - Jam Lock, 1/2-13 2-Way Gr A
15	NB272	Washer - SAE Flat 3/8 ZY Carbon Steel
16	10177	Washer - Fender 3/8 X 1.5, Crbn Stl GR 2
17	19678*	Plate - Deck Height Indicator
18	NB107	Bolt - 3/8-16 X 1 1/2 HCC GR5 ZY
19	19372	Turnbuckle - 5/16-18, RHT & LHT
20	NB173	Nut - Jam 5/16-18 ZY
21	19432	Nut - Jam, 5/16-18, LHT; ZY
22	NB781	Connector - Chain, 3/16"
23	19452	Bungee - Ø5 1/2" Ring, Ø5/16 Cord
24	19364	Chain - Deck Lift, 13 Links
25	19425	Cover - Fabric Chain Wrap
26	19858	Button - Plastic, Male
27	19859	Spring - Torsion, Deck Height
28	19857	Button - Plastic, Female
29	20310*	Plate - Slide Mount Support, 14 GA
30	20309*	Plate - Slide Mount Support, 1/4"
31	NB622	Bolt - Serr Flange, 5/16-18X2 1/4 GR5 ZY
32	NB170	Nut - Serr Flange 5/16-18 ZY Case Hrd

**When Ordering Replacement Parts:**

\* = USE PAINT CODE: TK=BLACK, TC=RED

# Radius Arm Diagram & Parts List

Assembled Detail

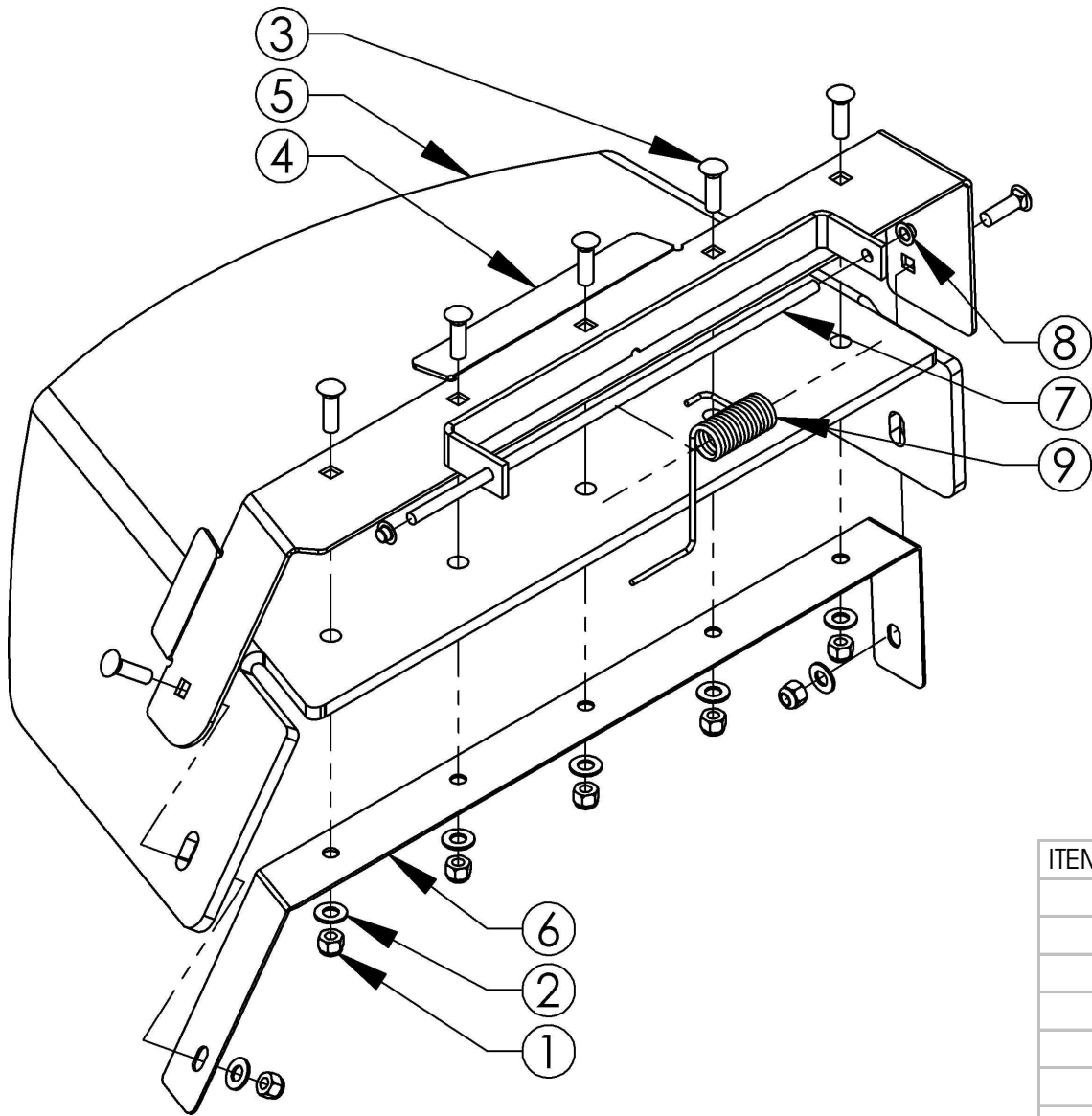


ITEM NO.	PART NO.	DESCRIPTION
1	19720*	Assembly - Top Radius Arm; Txt Blk
1A	NB622	Bolt - Serr Flange, 5/16-18X2 1/4 GR5 ZY
1B	19708	Plate - Radius Arm, 1/8"
1C	19246	Plate - Linkage Control, Right
1D	19710	Plate - Radius Arm, 1/2"
1E	19709	Plate - Radius Arm, 1/4"
1F	19280	Plate - Linkage Control, Left
1G	NB558	Nut - Lock, 5/16-18 ZY 2 Way Grade A
2	19282	Bushing - Front Radius Arm
3	19261*	Weldment - Housing, Front Caster
4	19710*	Plate - Radius Arm, 1/2"
5	19708*	Plate - Radius Arm, 1/8"
6	19711	Spacer - 5/8" ID x 1" OD x 3/8"
7	4845	Bearing - Blade
8	NB614HT	Washer - 1 X 1 1/2 10GA Hardened
9	19332*	Weldment - Caster, HD; Front Mount
10	19290	Tire/Wheel - 11 X 6.00-5, Smooth
11	18953	Bolt - 5/8-11 X 8 1/2, GR8; ZY
12	NB595	Nut - Lock Jam, 5/8-11 2 Way Grade A
13	NB150	Bolt - 3/8-16 X 3 HCC GR5 ZY
14	NB280	Nut - 2 Way Lock 3/8-16 ZY & Wax Gr A
15	NB121	Nut - Jam Lock, 1/2-13 2-Way Gr A
16	NB272	Washer - SAE Flat 3/8 ZY Carbon Steel
17	NB647	Bolt - 1/2-13 X 1 1/4 HTC GR5 ZY
18	NB612	Nut - Nyloc 1"-8 ZY

**When Ordering Replacement Parts:**

\* = USE PAINT CODE: TK=BLACK, TC=RED

# Grass Chute Diagram & Parts List



ITEM NO.	PART NO.	DESCRIPTION
1	NB182	Nut - Nyloc 3/8-16 ZY
2	NB272	Washer - SAE Flat 3/8 ZY Carbon Steel
3	10501	Bolt - Carriage 3/8-16 X 1 1/4 GR5 ZY
4	19298*	Weldment - Grass Chute Mount
5	19295	Chute - Rubber, Front Mount
6	19296*	Plate - Grass Chute, Bottom
7	18595	Rod - Deck, Grass Chute; ZP
8	NB117	Nut - Push, 5/16; ZP
9	166X34	Spring - Torsion

**When Ordering Replacement Parts:**

\* = USE PAINT CODE: TK=BLACK, TC=RED

# Notes