



Allusion® 7236 SALON™ SPA BATH

BK20 Allusion® 7236 Salon™ Spa
Right Hand with Chromatherapy lighting

BT70 Allusion® 7236 Salon™ Spa
Right Hand with Illumatherapy™ jet lighting

- Center Drain Location
- Accessories / Hardware:
 - HTC Jet Trim Kit: #D095
 - SCH 40 Rotary Drain Kit: #DA34
- Trim Kit Finishes Available:
 - (827) – Chrome
 - (898) – Brushed Chrome
 - (815) – Satin Nickel
 - (829) – Bright Brass
 - (805) – Platinum
 - (826) – Brushed Nickel
 - (845) – Oil Rubbed Bronze

INSTALLATION NOTES

Refer to installation instructions included with fixture before beginning installation. Please confirm product availability and specifications before commencing with any installation work.

PRODUCT SPECIFICATIONS AND AVAILABILITY ARE SUBJECT TO CHANGE WITHOUT NOTICE.

Technical Specifications

DIMENSIONS

72" L x 36" W x 26" H
(1829 mm) L x (914 mm) W x (660 mm) H

DRAIN/OVERFLOW

A: 17-3/8" (441 mm) B: 11-15/16" (210 mm)

CUTOUT

Template Provided Part Number: BY20000

TOTAL WEIGHT

1145 lb (519 kg) / 64 lb/sq. ft. (312 kg/m²)

OPERATING GALLONAGE

75 U.S. Gal. (284 Liters)
Min. 65 U.S. Gal. (246 Liters)
Max. 85 U.S. Gal. (322 Liters)

PRODUCT WEIGHT

220 lb (100 kg)

SKIRT MOUNTING

Not Available

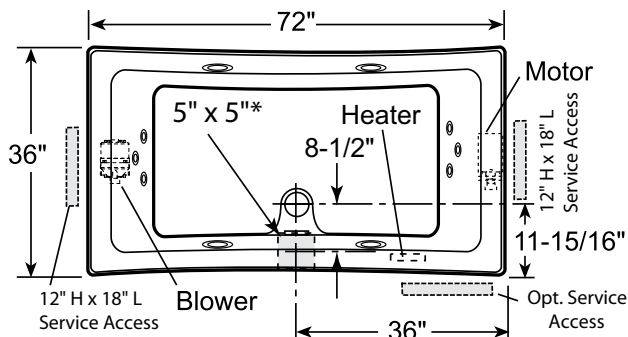
ELECTRICAL SPECIFICATIONS

All require a dedicated GFCI protected separate circuit(s).

Blower: 120VAC, 20AMP, 60 Hz.
Motor/Pump and RapidHeat™: 240VAC, 20AMP, 60 Hz.

HEATER (STANDARD)

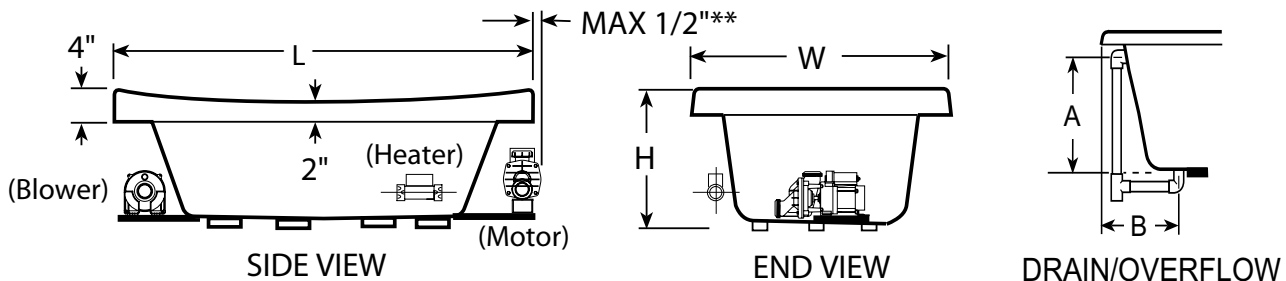
RapidHeat™: P/N BN60000



Product Shown: Allusion® 7236 Salon™ Spa
Right Hand (BK20) Shown.

* Measurements inside unit represent cutout in floor to allow for drain/overflow.

Minimum Service Access dimensions given.



** See Install manual for installations instructions.