



Allusion® 7236 WHIRLPOOL BATH

ED80 Allusion® 7236 Whirlpool Bath Right Hand Pump

Allusion® 7236 SOAKER BATH

BA06 Allusion® 7236 Bath

- Center Drain Location
- Accessories / Hardware:
 - HTC Jet Rings Kit: #D095
 - SCH 40 Rotary Drain Kit: #DA34
- Trim Kit Finishes Available:
 - (827) – Chrome
 - (898) – Brushed Chrome
 - (815) – Satin Nickel
 - (829) – Bright Brass
 - (805) – Platinum
 - (826) – Brushed Nickel
 - (845) – Oil Rubbed Bronze

INSTALLATION NOTES

Refer to installation instructions included with fixture before beginning installation. Please confirm product availability and specifications before commencing with any installation work.

PRODUCT SPECIFICATIONS AND AVAILABILITY ARE SUBJECT TO CHANGE WITHOUT NOTICE.

Technical Specifications

DIMENSIONS

72" L x 36" W x 26" H
(1829 mm) L x (914 mm) W x (660 mm) H

DRAIN/OVERFLOW

A: 17-3/8" (441 mm) B: 11-15/16" (210 mm)

CUTOUT

Template provided Part Number BY20000

TOTAL WEIGHT

ED80: 1070 lb (485 kg) / 59 lb/sq. ft. (288 kg/m²)
BA06: 1020 lb (462 kg) / 57 lb/sq. ft. (278 kg/m²)

OPERATING GALLONAGE

75 U.S. Gal. (284 Liters)
Min: 65 U.S. Gal. (246 Liters)
Max: 85 U.S. Gal. (322 liters)

PRODUCT WEIGHT

ED80: 145 lb (66 kg)
BA06: 95 lb (43 kg)

SKIRT MOUNTING

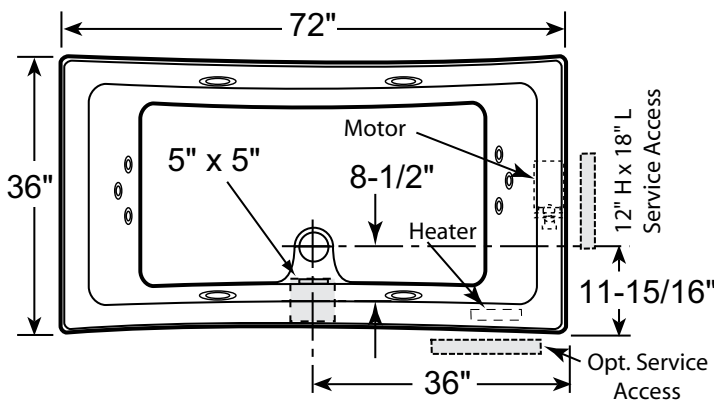
Not Available

ELECTRICAL SPECIFICATIONS – Model ED80 only

Requires a dedicated GFCI protected separate circuit.
Motor/Pump: 120 VAC, 20 AMP, 60 Hz.
RapidHeat™: 115 VAC, 15 AMP, 60 Hz.

HEATER (STANDARD) – Model ED80 only

Requires a dedicated GFCI protected separate circuit.
RapidHeat™: P/N S750000



Product Shown: Allusion® 7236 Whirlpool Bath Right Hand (ED80) Shown.

* Measurements inside unit represent cutout in floor to allow for drain/overflow.

Minimum Service Access dimensions given.

