



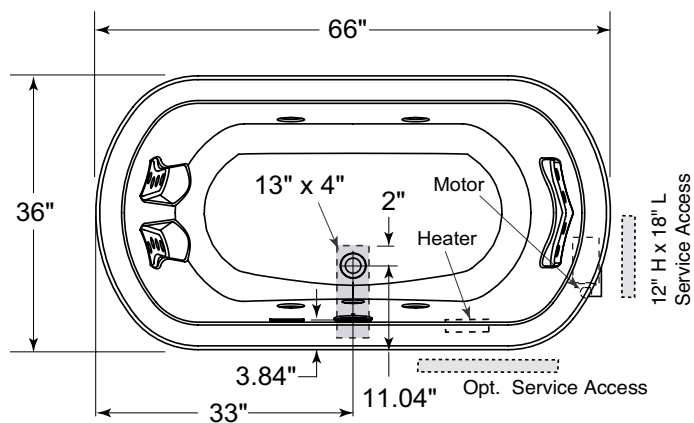
# Duetta™ 6636

## WHIRLPOOL BATH

**EE50** Duetta™ 6636 Whirlpool Bath with Chromatherapy Right Hand

**EE55** Duetta™ 6636 Whirlpool Bath with Illumatherapy™ Right Hand

- Center Drain Location
- Accessories / Hardware:
  - TheraPro™ Jet Rings Kit: #D095
  - Sch 40, Rotary Drain Kit: #DA34
- Trim Kit Finishes Available:
  - (827) – Chrome
  - (898) – Brushed Chrome
  - (815) – Satin Nickel
  - (829) – Bright Brass
  - (805) – Platinum
  - (826) – Brushed Nickel
  - (845) – Oil Rubbed Bronze



**Product Shown: Duetta™ 6636 Whirlpool Bath Right Hand Shown Model: EE55**

*\* Measurements inside unit represent cutout in floor to allow for drain/overflow.*

*Minimum Service Access dimensions given.*

### INSTALLATION NOTES

Refer to installation instructions included with fixture before beginning installation. Please confirm product availability and specifications before commencing with any installation work.

PRODUCT SPECIFICATIONS AND AVAILABILITY ARE SUBJECT TO CHANGE WITHOUT NOTICE.

## Technical Specifications

### DIMENSIONS

66" L x 36" W x 26" H  
(1676 mm) L x (914 mm) W x (660 mm) H

### DRAIN/OVERFLOW

A: 18.4" (467 mm) B: 11" (279 mm)

### CUTOUT

Template Provided Part Number: DA08000

### TOTAL WEIGHT

1019 lb (462 kg) / 61.8 lb/ft<sup>2</sup> (302 kg/m<sup>2</sup>)

### OPERATING GALLONAGE

78 U.S. Gal. (295 Liters)  
Min. 75 U.S. Gal. (284 Liters)  
Max. 80 U.S. Gal. (303 liters)

### PRODUCT WEIGHT

180 lb (82 kg)

### SKIRT MOUNTING

Not Available

### ELECTRICAL SPECIFICATIONS

**Requires a dedicated GFCI protected separate circuit.**

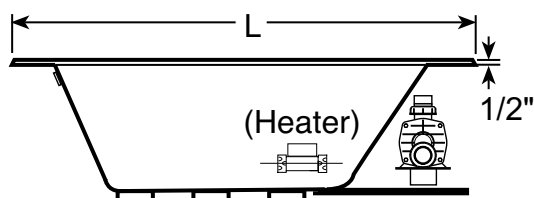
Motor/Pump: 120 VAC, 20 AMP, 60 Hz.

RapidHeat™: 115 VAC, 15 AMP, 60 Hz.

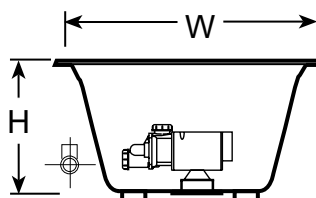
### HEATER (STANDARD)

**Requires a dedicated GFCI protected separate circuit.**

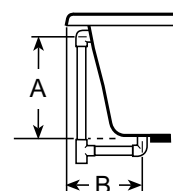
RapidHeat™: P/N S750000



**SIDE VIEW**



**END VIEW**



**DRAIN/OVERFLOW**