



Portfolio® is a registered trademark of LF, LLC. All Rights Reserved.

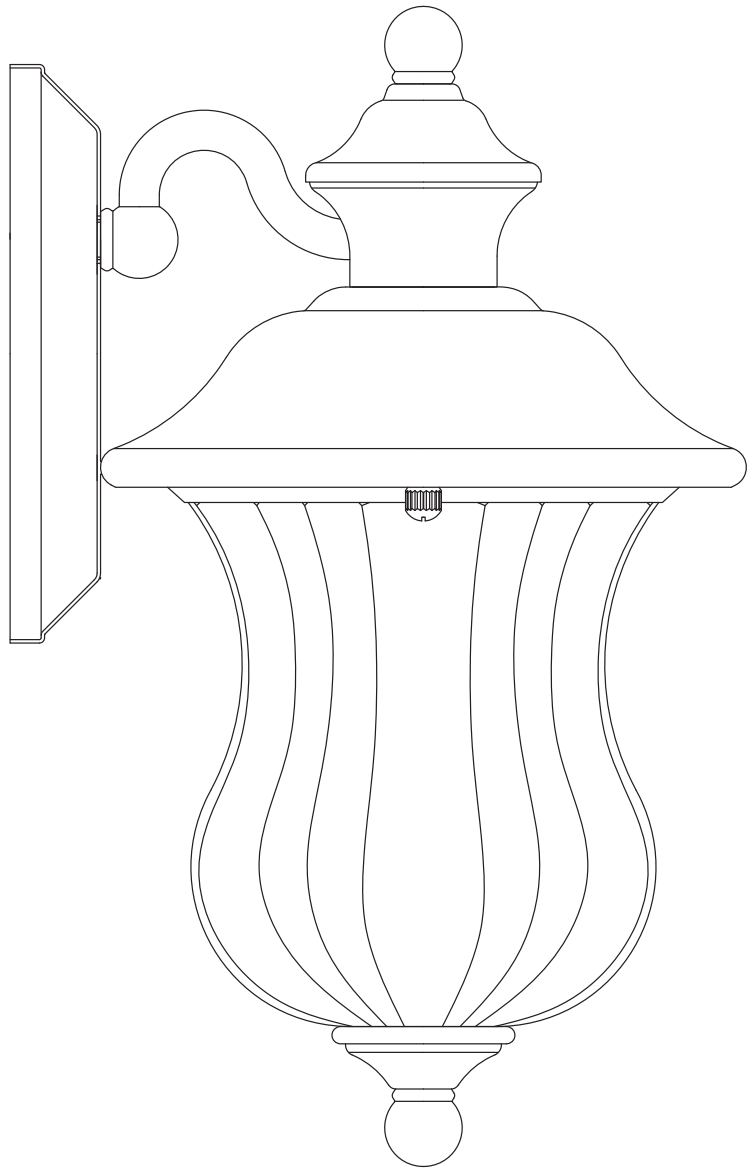
ITEM #0336835

OUTDOOR WALL LANTERN

MODEL #39419

Français p. 9

Español p. 17



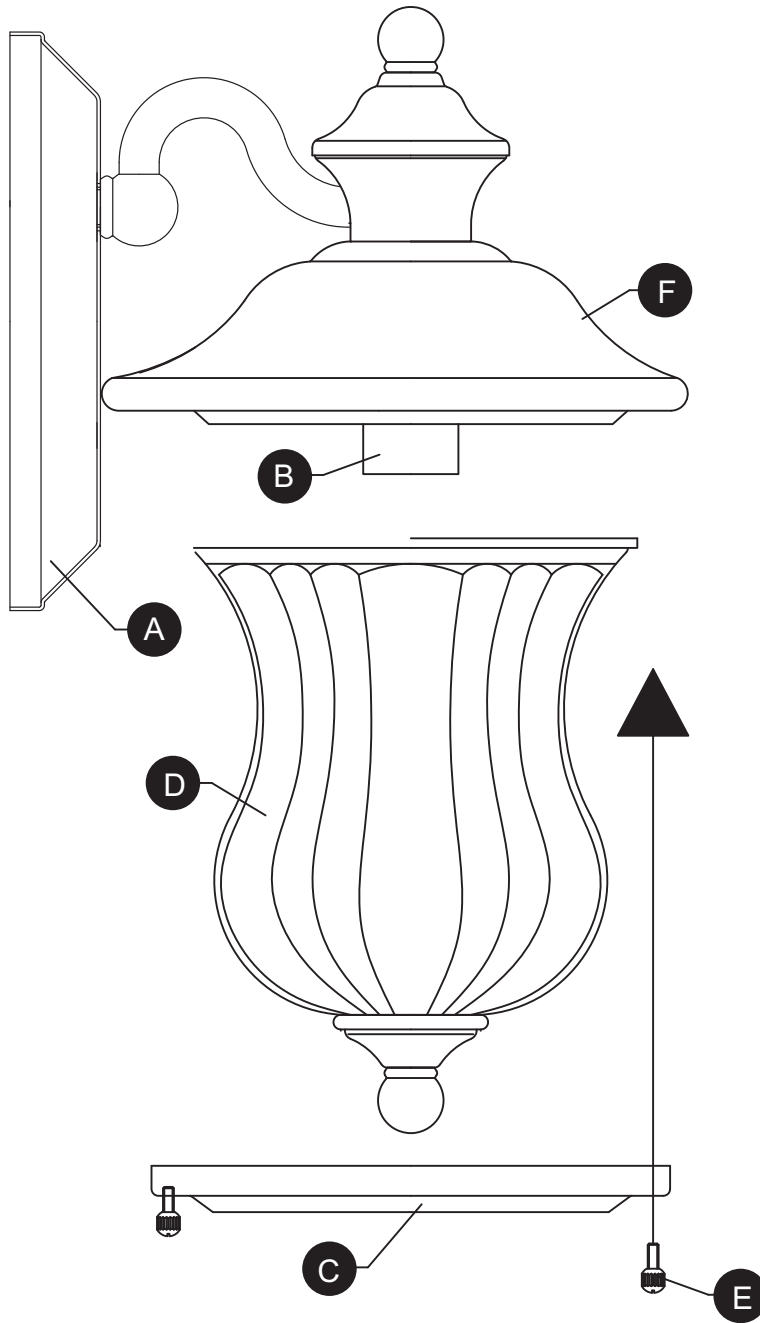
ATTACH YOUR RECEIPT HERE

Serial Number _____ Purchase Date _____



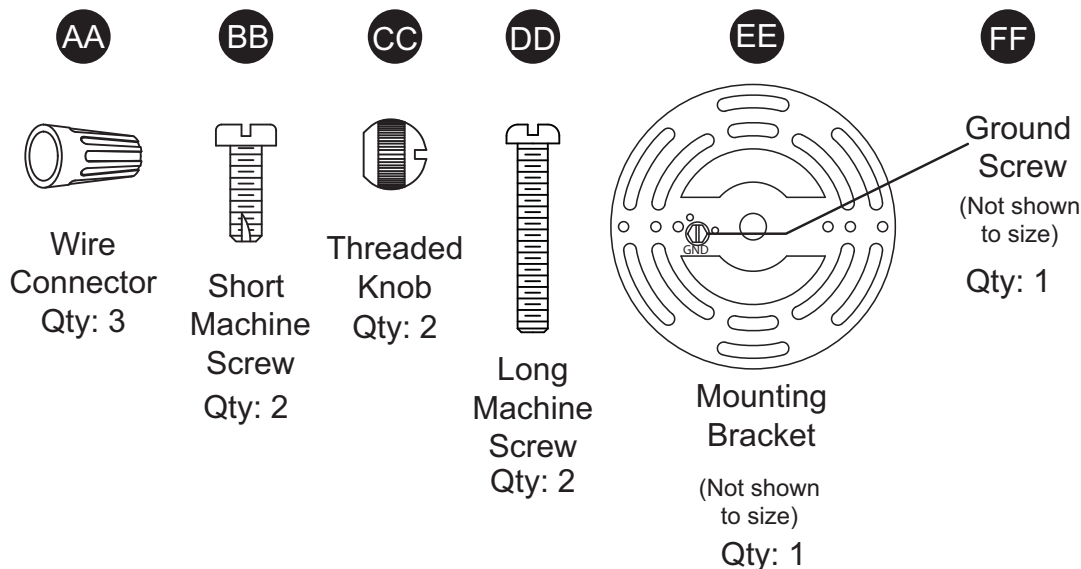
Questions, problems, missing parts? Before returning to your retailer, call our customer service department at **1-800-643-0067**, 8 a.m. - 6 p.m., EST, Monday - Thursday, 8 a.m. - 5 p.m., EST, Friday.

PACKAGE CONTENTS



PART	DESCRIPTION	QUANTITY
A	Canopy (Preassembled to Fixture Top (F))	1
B	Socket (Preassembled to Fixture Top (F))	1
C	Glass Ring (Preassembled to Fixture Top (F))	1
D	Shade (Preassembled to Fixture Top (F))	1
E	Thumb Screw (Preassembled to Fixture Top (F))	2
F	Fixture Top	1

HARDWARE CONTENTS (shown actual size)



SAFETY INFORMATION

Please read and understand this entire manual before attempting to assemble, operate or install the product.

WARNING

- **IMPORTANT:** NEVER attempt any work without shutting off the electricity.
- Go to the main fuse box, or circuit breaker, in your home. Place the main power switch in the "OFF" position and unscrew the fuse(s), or switch "OFF" the circuit breaker switch(es), that control the power to the fixture or room that you are working on.
- Place the wall switch in the "OFF" position. If the fixture to be replaced has a switch or pull chain, place it in the "OFF" position.
- Do not use bulbs with wattage greater than specified on this fixture.
- **WARNING:** California Prop. 65: This lighting fixture contains chemicals known to the state of California to cause cancer, birth defects, and/or other reproductive harm. Wash hands after use.

CAUTION

- Read and understand all instructions and illustrations completely before proceeding with assembly and installation of this fixture.
- If you have any doubts about how to install this lighting fixture, or if the fixture fails to operate completely, please contact a licensed electrical contractor.
- All parts must be used as indicated in these instructions. Do not substitute any parts, leave parts out, or use any parts that are worn out or broken. Failure to obey this instruction could invalidate the ETL listing and/or C.S.A. certification of this fixture.

PREPARATION

Before beginning assembly of product, make sure all parts are present. Compare parts with package contents list. If any part is missing or damaged, do not attempt to assemble the product.



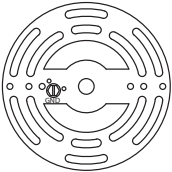
Estimated assembly time: 30 minutes to 1 hour

Tools Required for Assembly (not included): Phillips screwdriver, flathead screwdriver, wire strippers, electrical tape, ladder, safety glasses, silicone caulk, caulking gun.

ASSEMBLY INSTRUCTIONS

1. Insert long machine screws (DD) into the mounting bracket (EE) before connecting to the outlet box (not included). The two long machine screws (DD) should protrude through mounting bracket (EE) for securing canopy (A) in later steps. Connect the mounting bracket (EE) so the outlet box with short machine screws (BB). Orient the mounting bracket (EE) so the raised center portion protrudes into the outlet box.

Hardware Used

- | | | |
|-------------------------------|--|-----|
| BB Short Machine Screw |  | x 2 |
| DD Long Machine Screw |  | x 2 |
| EE Mounting Bracket |  | x 1 |

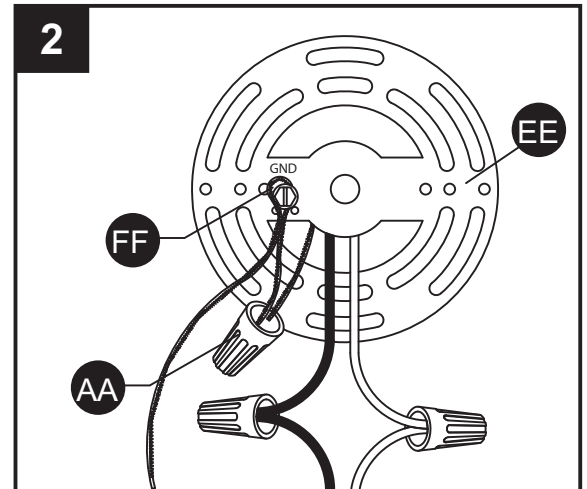
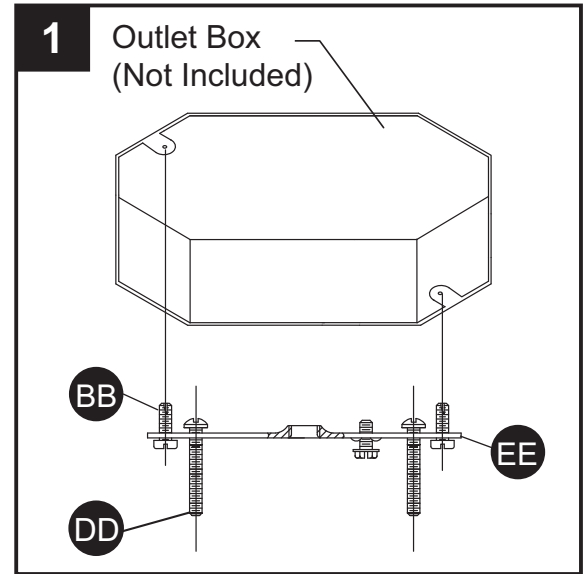
2. Wire connection guide:

Ground wire:

- For installation in the United States:
Wrap ground wire from outlet box (not included) around ground screw (FF) on mounting bracket (EE) no less than 2 in. from wire end. Tighten ground screw (FF). If fixture is supplied with a ground wire, connect to outlet ground wire with a wire connector (AA).
- For installation in Canada:
If fixture is supplied with ground wire, wrap ground wire around ground screw (FF) on mounting bracket (EE). Tighten ground

Hardware Used

- | | | |
|--------------------------|---|-----|
| AA Wire Connector |  | x 1 |
|--------------------------|---|-----|



ASSEMBLY INSTRUCTIONS

3. Supply wire connection guide: Make wire connections, securing with wire connectors (AA), following the reference chart listed below.

CONNECT HOT, BLACK OR RED OUTLET SUPPLY WIRE TO:	CONNECT NEUTRAL, WHITE OUTLET SUPPLY WIRE TO:
Black	White
* Parallel Cord (round and smooth)	* Parallel Cord (square and ridged)
Clear, Brown, Gold or Black without Tracer (colored stripes)	Clear, Brown, Gold or Black with Tracer (colored stripes)
Insulated Wire (not green) with Copper Metal Conductor	Insulated Wire (not green) with Silver Metal Conductor

***NOTE:**

When parallel wire (SPT I & SPT II) is used, the neutral wire is square shaped and ridged and the hot wire will be round in shape and smooth.

Hardware Used

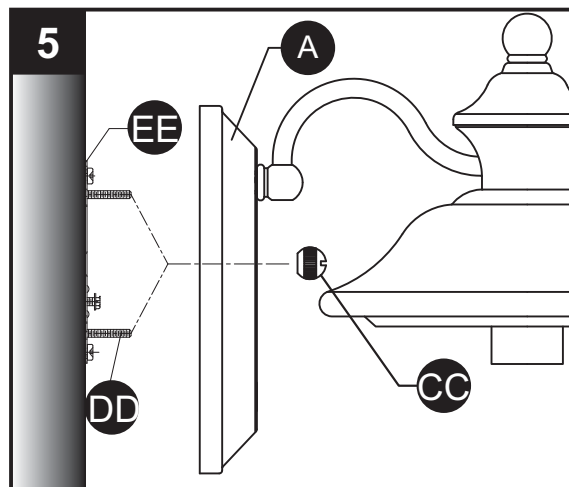
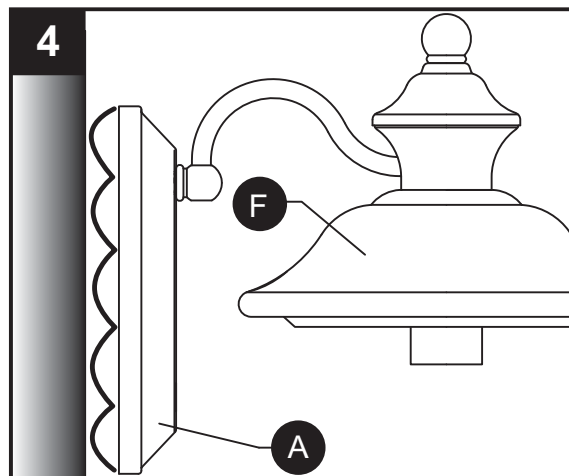
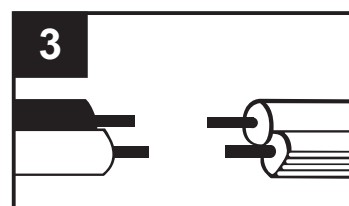
- AA** Wire Connector  x 2

4. Remove thumb screws (E), glass ring (C) and shade (D) from fixture top (F) before mounting. Mounting surface should be clean, dry, flat and 1/4 in. larger than the canopy (A) on all sides. Any gaps between the mounting surface and canopy (A) exceeding 3/16 in. should be corrected as required. With silicone caulking compound (not included), caulk completely around where back of canopy (A) meets the wall surface to prevent water from seeping into outlet box.

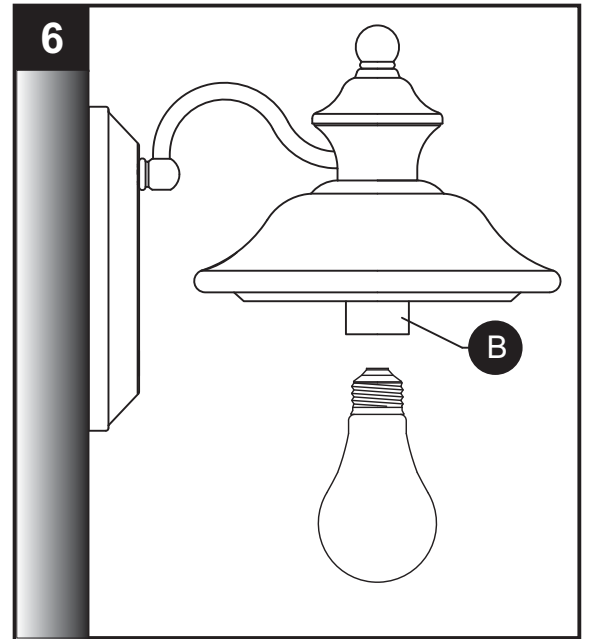
5. Pass the canopy (A) over the long machine screws (DD) protruding from the mounting bracket (EE) and secure in place with threaded knobs (CC).

Hardware Used

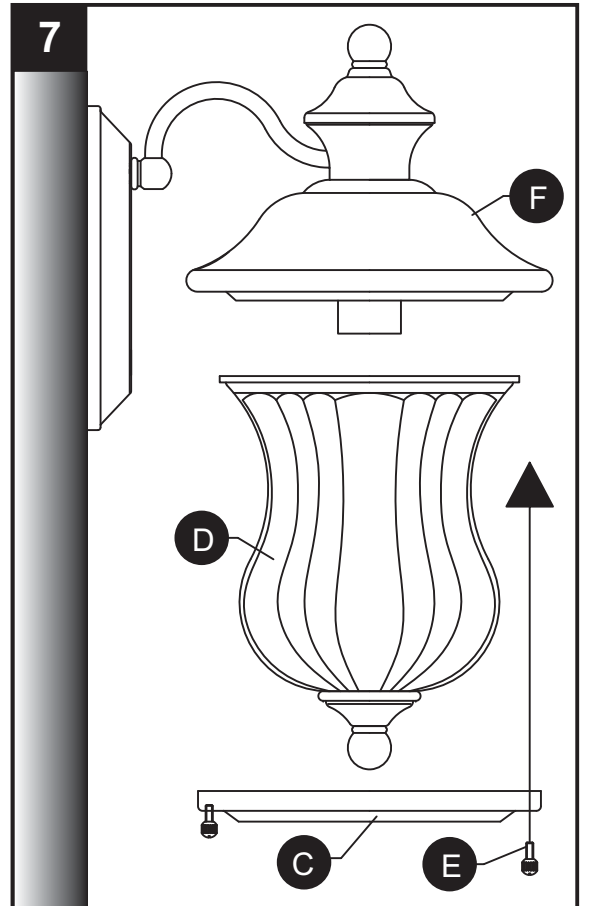
- CC** Threaded Knobs  x 2



6. Screw one 60-watt medium base bulb (not included) into socket (B).



7. Place shade (D) into glass ring (C). Attach glass ring (C) to fixture top (F) with thumb screws (E).



CARE AND MAINTENANCE

- Always be certain that electric current is turned off before cleaning this item.
- Use a soft, moist cloth with mild non-abrasive soap to clean fixture. Never use glass cleaner on fixture, as it will damage the metal finish.
- All glass shades may be washed in a towel-lined sink with warm water and mild soap. Do not wash shades in an automatic dishwasher.

TROUBLESHOOTING

PROBLEM	POSSIBLE CAUSE	CORRECTIVE ACTION
Fixture does not light.	1. Fixture may be wired incorrectly. 2. Worn or broken bulb.	1. Check wiring. 2. Replace bulb.

WARRANTY

Distributor warrants products manufactured by it will be free from defects in material and workmanship for three (3) years following the date of shipment. This warranty does not cover bulbs or finish on outdoor product. If any of the warranted products are found by Distributor to be defective, such products will, at Distributor's option, be replaced or repaired at Distributor's cost. The parties hereto expressly agree that Buyer's sole and exclusive remedy against the Distributor shall be for the repair or replacement of defective products as provided herein, or, at the Distributor's sole option, Distributor may refund the purchase price of the products. THE FOREGOING WARRANTY IS IN LIEU OF ALL OTHER WARRANTIES, EXPRESSED OR IMPLIED, INCLUDING THOSE OF MERCHANTABILITY, FITNESS FOR ANY PARTICULAR PURPOSE OR INFRINGEMENT. No affirmation of Distributor, by words or action, other than set forth in this paragraph shall constitute a warranty. Goods which may be sold by Distributor but which are not manufactured by Distributor are not warranted by Distributor, but are sold only with the warranties, if any, of the manufacturer thereof. This warranty does not cover labor or other costs or expenses to remove or install any defective, repaired or replaced product. Distributor's warranty does not apply to any products that have been subjected to misuse, mishandling, misapplication, neglect (including, but not limited to improper maintenance), accident, improper installation, modification (including, but not limited to use of unauthorized parts or attachments), or adjustment or repair.

REPLACEMENT PARTS LIST

For replacement parts, call our customer service department at 1-800-643-0067, 8 a.m. - 6 p.m., EST, Monday - Thursday, 8 a.m. - 5 p.m., EST, Friday.

PART	DESCRIPTION	PART #
E	Thumb Screw	TK1X832-DBK
D	Shade	GS39419
AA	Wire Connector	WC001
BB	Short Machine Screw	SCR832X050
CC	Threaded Knob	TK1X832-DBK
DD	Long Machine Screw	SCR832X100
EE	Mounting Bracket	XBAR05

