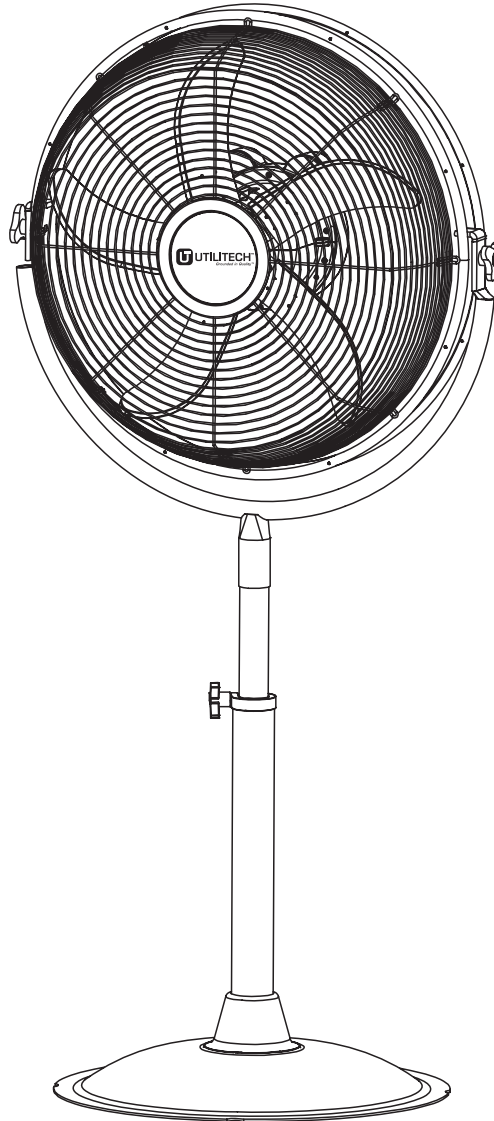


24 IN. / 61 CM HIGH VELOCITY PEDESTAL FAN

MODEL # HVP-24S180

Français p.9

Español p.17



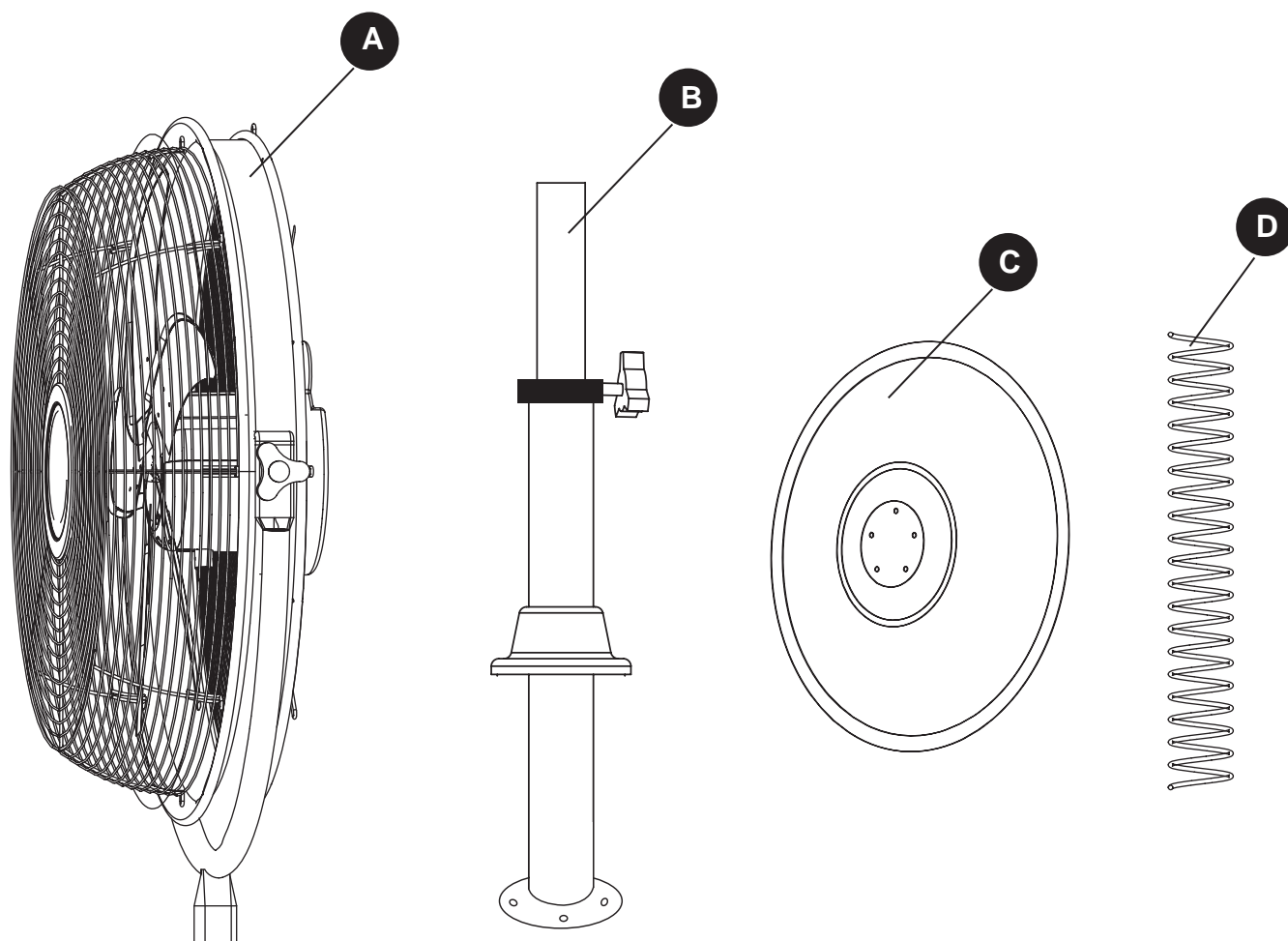
ATTACH YOUR RECEIPT HERE

Serial Number _____ Purchase Date _____



Questions, problems, missing parts? Before returning to your retailer, call our customer service department at 1-866-994-4148, 8 a.m. - 6 p.m., EST, Monday - Thursday; 8 a.m. - 5 p.m., EST, Friday.

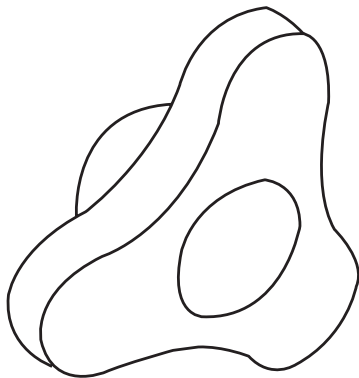
PACKAGE CONTENTS



PART	DESCRIPTION	QUANTITY
A	Fan Body	1
B	Stand Pole	1
C	Base	1
D	Spring	1

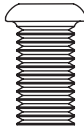
HARDWARE CONTENTS (shown actual size)

AA



Plastic Nut Tightener
2 pieces

BB



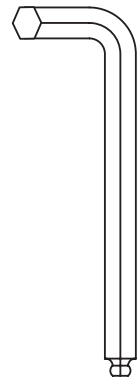
Ø5/16 in. x 5/8 in. Screw
7 pieces

CC



Ø3/8 in. Spring Washer
7 pieces

DD



Hexagonal Head
Screw Key
1 pieces

! SAFETY INFORMATION

Please read and understand this entire manual before attempting to assemble, operate or install the product. If you have any questions regarding the product, please call customer service at 1-866-994-4148, 8 a.m. - 6 p.m., EST, Monday - Thursday; 8 a.m. - 5 p.m., EST, Friday.

WARNING

PLEASE READ AND SAVE THESE INSTRUCTIONS.

- When using electric products, basic safety precautions should always be followed to reduce the risk of fire, electric shock, and personal injury. Follow these important safety guidelines.
- Do not use this fan with any solid-state speed control device.
- Do not use an extension cord with this fan.
- Do not expose to rain. Store indoors.
- Do not use with damaged cord, plug or other parts.
- Keep cord away from heated surface.
- Do not handle plug or the fan with wet hands.
- Do not permit fingers to touch the terminals of plug when installing or removing the plug from the outlet.
- Unplug or disconnect the fan from power supply before servicing.
- After servicing, any safety device (includes grills, impeller, etc.) shall be reinstalled or remounted as previously installed.
- This product is not intended for use by persons (including children) with reduced physical, sensory or mental capabilities, or lack of experience and knowledge, unless they are given supervision or instruction concerning use of the product by a person responsible for their safety. Children should be supervised to ensure that they do not play with this product.

CAUTION

- **CONSIDER YOUR WORK AREA ENVIRONMENT.** Don't use fan in damp or wet locations. Don't operate fan in presence of flammable liquids, gases like gasoline or other fuels, lighter fluid cleaners, oil-based paints, natural gas, hydrogen, coal dust, magnesium dust, grain dust, or explosive dust like powder. Do not use or store near hazardous or toxic materials.
- **USE SAFETY GLASSES.** Also use face or dust mask if work area is dusty. The operation of any fan can result in foreign objects being blown into the eyes, which can result in severe eye damage. Always wear safety goggles complying with ANSI Z87.1.
- **DON'T ABUSE CORD.** Never pull the power cord or yank it to disconnect from receptacle. To unplug, grasp the plug, not the cord. Keep cord away from heat, oil, and sharp edges. Do not pull or carry by cord, use cord as handle, close a door on cord, or pull around sharp edges or corners.
- **MAINTAIN fan.** Keep fan clean at all times. Keep dry, clean and free from moisture.
- **DISCONNECT fan** when not in use. Don't operate unit unattended.
- **NEVER** stick any object into the grill openings of the fan.
- **RETURN** for repair or to replace damaged parts if any are found to be broken or if the fan is inoperative.

PREPARATION

Before beginning assembly of product, make sure all parts are present. Compare parts with package contents list and diagram above. If any part is missing or damaged, do not attempt to assemble or operate the product. Contact customer service for replacement parts.

Estimated Assembly Times: 30 minutes

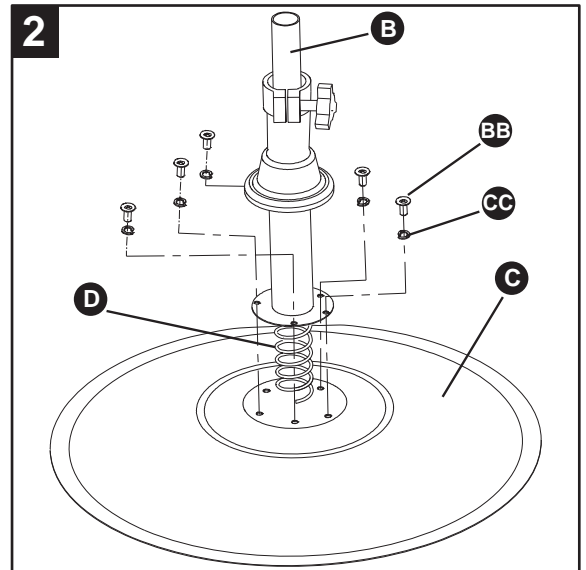
Tools Required for Assembly: Hexagonal Head Screw Key (included)
Scissors or Cutter (not included)

ASSEMBLY INSTRUCTIONS

1. Loosen the 3-wing plastic head screw from the outer tube of stand pole (B). Extend the inner tube to maximum height.

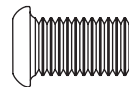
Insert the spring (D) into the outer tube of stand pole (B) and tighten back the 3-wing plastic head screw **firmly**.

Attach stand pole (B) to the base (C) and secure with 5 screws (BB) and 5 spring washers (CC) with hexagonal head screw key (DD). Make sure all screws are tightened **firmly**.



HARDWARE USED

BB \varnothing 5/16 in. x 5/8 in. Screw



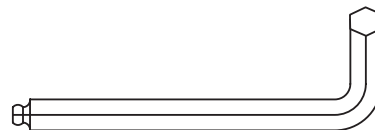
x 5

CC \varnothing 3/8 in. Spring Washer



x 5

DD Hexagonal Head
Screw Key

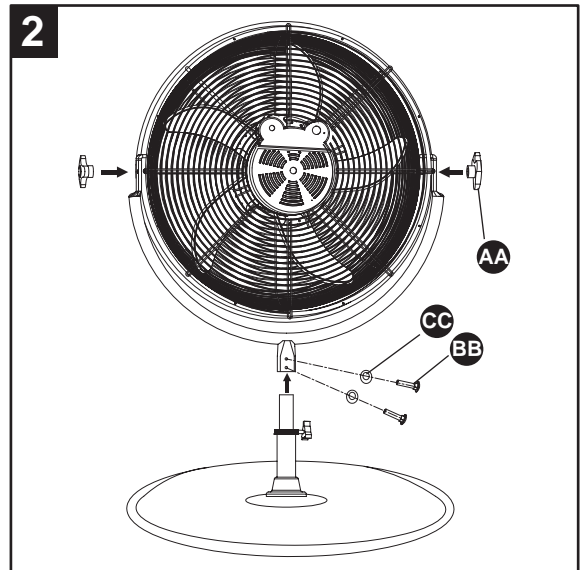


x 1

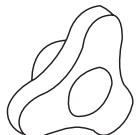
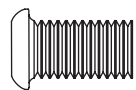

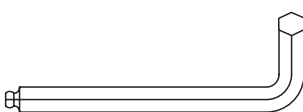
ASSEMBLY INSTRUCTIONS

2. Attach the fan body (A) to the stand pole (B). Align 2 holes at the pole of fan body (A) and attach 2 screws (BB) and 2 spring washers (CC) on it, then tighten the screws (BB) **firmly**.

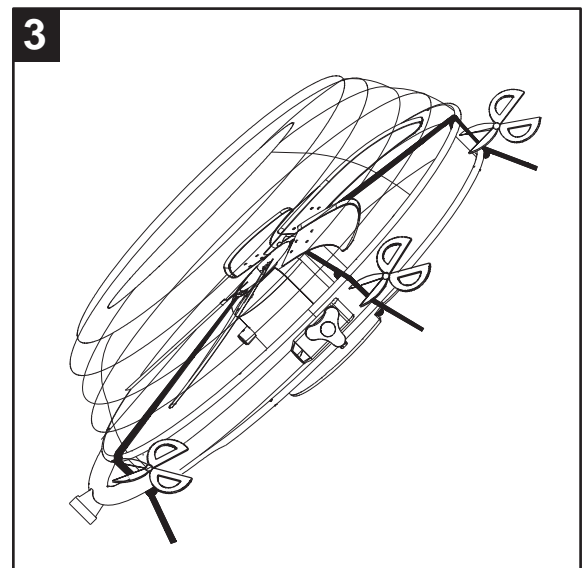
To adjust air flow up and down, tilt the fan to the desired angle. Tighten the plastic nut tightener (AA) on both tilt nuts to secure fan head.



HARDWARE USED

AA	Plastic Nut Tightener		x 2
BB	Ø 5/16 in. x 5/8 in. Screw		x 2
CC	Ø 3/8 in. Spring Washer		x 2
DD	Hexagonal Head Screw Key		x 1

3. **CUT AND REMOVE** all the protective plastic ties from the fan blade with scissors or cutters.



OPERATING INSTRUCTIONS

1. ADJUSTING AIR SPEED

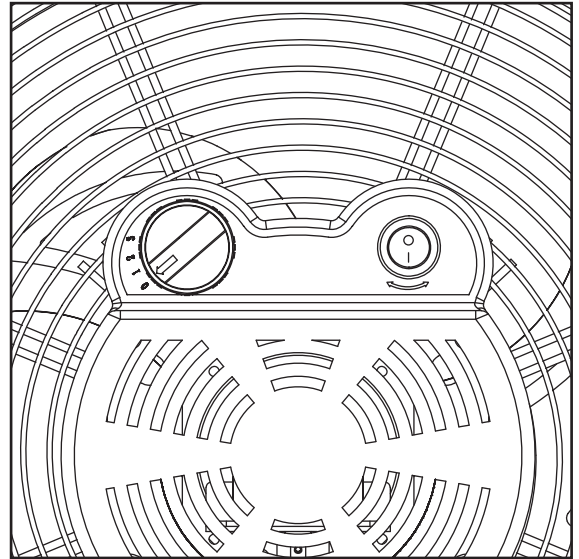
The fan has 3-Speeds (OFF, LOW, MEDIUM AND HIGH).

Rotate the speed control switch on the back of the unit to adjust air flow to desired speed (positions 0, 1, 2, 3).

2. ADJUSTING OSCILLATION FEATURE

The internal oscillation feature can be turned on by setting the RED switch on the motor to the ON (1) position.

To disengage the oscillation feature, push the RED switch to the OFF (0) position.



CARE AND MAINTENANCE

- Unplug from electrical source to clean.
- Use soft damp cloth to clean. Following that, wipe with clean dry cloth.
- Do not bend the fan blades.
- Store in a dry place.

TROUBLESHOOTING

Before returning to your retailer, call our customer service department at 1-866-994-4148 , 8 a.m. - 6 p.m., EST, Monday - Thursday; 8 a.m. - 5 p.m., EST, Friday.

PROBLEM	POSSIBLE CAUSE	CORRECTIVE ACTION
Fan won't run.	<ol style="list-style-type: none"> 1. Fan is not plugged in. 2. Unit is not turned on. 	<ol style="list-style-type: none"> 1. Make sure unit is plugged in. 2. Check that unit is turned on.
Oscillating feature not working.	<ol style="list-style-type: none"> 1. Oscillating feature is not turned on. 	<ol style="list-style-type: none"> 1. Make sure that oscillation switch is turned on.

WARRANTY

Orient Industries, Inc. Limited One-Year Warranty

Every fan is thoroughly inspected and tested before leaving the factory. It is warranted to be free of defects in workmanship and materials for the period of ONE YEAR from the date of purchase.

This Warranty is Void if:

- Alterations have been made to the product.
- Repairs are required because of normal wear and tear.
- Repairs have been made or attempted by anyone other than Orient Industries, Inc.
- The product has been mistreated, misused or improperly maintained and operated.

In no event shall Orient Industries, Inc. be liable for any damage beyond the repair or replacement as described above, including without limitation, indirect, incidental, or consequential damage.

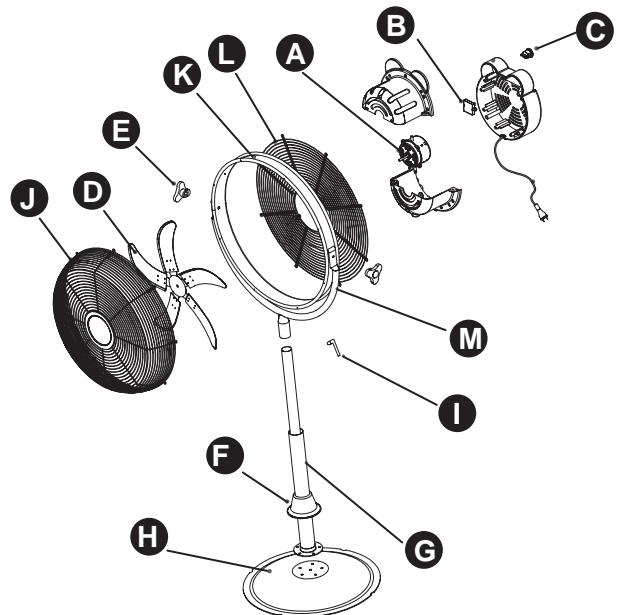
This warranty is the only warranty made and is in lieu of all other warranties, expressed or implied including without limitation, warranties of merchantability and fitness for a specific purpose.

This warranty gives you specific legal rights and you may also have other rights, which vary from state to state. Some states do not allow the exclusion or limitation of incidental or consequential damage, so the above limitations and exclusions may not apply to you. Some states do not allow limitation on how long an implied warranty lasts, so the above limitations may not apply to you.

For questions about your warranty and warranty service, call 1-866-994-4148, 8 a.m. - 6 p.m., EST, Monday - Thursday; 8 a.m. - 5 p.m., EST, Friday.

REPLACEMENT PARTS LIST

PART	DESCRIPTION	PART #
A	Fan Motor	24-1001
B	Speed Switch	24-1002
C	Oscillation On/Off Switch	24-1003
D	Fan Blade	24-1004
E	Plastic Tightener	24-1005
F	Cover Ring	24-1006
G	Stand Pole	24-1007
H	Base	24-1008
I	Hex. Head Screw Key	24-1009
J	Front Grill	24-1010
K	Drum	24-1011
L	Rear Grill	24-1012
M	U Arm	24-1013



TECHNICAL DATA

VOLTAGE / FREQUENCY	CURRENT	POWER CONSUMPTION
120V / 60 Hz	1.7A	185W