



en

## **USER MANUAL & INSTALLATION INSTRUCTIONS**

**Washer**

**Power supply: 120V  
Circuit: 16-amp branch  
Frequency: 50Hz  
Capacity: 5.2 cu ft**



**Warning:**  
Before using this product, please read this manual carefully and keep it for future reference. The design and specifications are subject to change without prior notice for product improvement. Consult with your dealer or manufacturer for details.

version A - 5 - 2019

**MODEL NUMBERS  
MLH52S7AGS  
MLH52S7AWW  
[www.midea.com](http://www.midea.com)**

# Dear user

---

**THANK YOU** and **CONGRATULATIONS** on your purchase of this high-quality Midea product. Your Midea washer is designed for reliable, trouble-free performance. Please take a moment to register your new washer.

Register your new washer at [www.midea.com](http://www.midea.com) under the **Support** tab.

For future reference, record your product model and serial numbers located on the inside frame of the washer.

Model Number \_\_\_\_\_

Serial Number \_\_\_\_\_

<b>WASHER SAFETY .....</b>	<b>3</b>
Proper Installation.....	5
When Not In Use.....	5
<b>OPERATION REQUIREMENTS .....</b>	<b>6</b>
Location of Your Washer .....	6
Electrical Requirements.....	6
Water Supply Requirements .....	7
Drain Requirements.....	7
<b>INSTALLATION INSTRUCTIONS .....</b>	<b>8</b>
Before You Begin.....	8
Tools Required.....	8
Parts Required (Obtain Locally).....	9
Parts Supplied.....	9
Rough-In Dimensions.....	9
Unpacking The Washer .....	10
Installing the Washer.....	11
<b>WASHER USE .....</b>	<b>13</b>
Control Panel.....	13
Features .....	19
Loading and Using the Washer.....	22

**WASHER CARE .....23**  
 Cleaning ..... 23  
 Moving, Storage and Long Vacations..... 27

**BEFORE YOU CALL FOR SERVICE... ..28**  
 Error Codes..... 35

**WARRANTY..... 36**

**PRODUCT REGISTRATION.....38**

## WASHER SAFETY

YOUR SAFETY AND THE SAFETY OF OTHERS ARE VERY IMPORTANT

To prevent injury to the user or other people and property damage, the instructions shown here must be followed. Incorrect operation due to ignoring of instructions may cause harm or damage, including death.

The level of risk is shown by the following indications.



This symbol indicates the possibility of death or serious injury.



This symbol indicates the possibility of injury or damage to property.



This symbol indicates the possibility of dangerous voltage constituting a risk of electrical shock is present that could result in death or serious injury.

# IMPORTANT SAFETY INSTRUCTIONS

## WARNING

To reduce the risk of death, fire, explosion, electric shock, or injury to persons when using your vfd appliance, follow basic precautions, including the following:

- Read the instruction manual before using the appliance.
- **DO NOT** wash or dry articles that have been previously cleaned in, washed in, soaked in or spotted with gasoline, dry-cleaning solvents, or other flammable or explosive substances, as they give off vapors that could ignite or explode.
- **DO NOT** add gasoline, dry-cleaning solvents, or other flammable or explosive substances to the wash water. These substances give off vapors that could ignite or explode.
- Under certain conditions, hydrogen gas may be produced in a hot-water system that has not been used for 2 weeks or more. HYDROGEN GAS IS EXPLOSIVE. If the hot water system has not been used for such a period, before using a washing machine, turn on all hot-water faucets and let the water flow from each for several minutes. This will release any accumulated hydrogen gas. As the gas is flammable, DO NOT smoke or use an open flame during this time.
- **DO NOT** allow children to play on or in this appliance. Close supervision of children is necessary when this appliance is used near children. Before the washer is removed from service or discarded, remove the door or lid. Failure to follow these instructions may result in death or injury to persons.
- **DO NOT** reach into the appliance if the drum or other components are moving to prevent accidental entanglement.
- **DO NOT** install or store this appliance where it will be exposed to the weather.
- **DO NOT** tamper with controls, repair or replace any part of this appliance or attempt any servicing unless specifically recommended in the user maintenance instructions or in published user repair instructions that you understand and have the skills to carry out.
- Keep the area around your appliance clean and dry to reduce the possibility of slipping.
- DO NOT operate this appliance if it is damaged, malfunctioning, partially disassembled, or has missing or broken parts including a damaged cord or plug.
- Unplug the appliance or turn off the circuit breaker before servicing. Pressing the Power button DOES NOT disconnect power.
- See “Electrical Requirements” located in the Installation Instructions for grounding instructions. This appliance is not intended for use by persons (including children) with reduced physical, sensory or mental capabilities, or lack of experience and knowledge, unless they have been given supervision or instruction concerning use of the appliance by a person responsible for their safety. Children should be supervised to ensure that they do not play with appliance.

- If the supply cord is damaged, it must be replaced by the manufacture, its service agent or similarly qualified persons in order to avoid a hazard.
- The new hose-sets bought from the retailer where the product was purchased are to be used and that old hose-sets should not be reused.
- This appliance is for indoor use only.

## PROPER INSTALLATION

- This washer must be properly installed and located in accordance with the Installation Instructions before it is used. Ensure the cold water hose is connected to the “C” valve.
- Install or store where it will not be exposed to temperatures below freezing or exposed to the weather, which could cause permanent damage and invalidate the warranty. Properly ground washer to conform with all governing codes and ordinances. Follow details in installation instructions.

### WARNING

#### Electrical Shock Hazard




- Plug into a grounded 3 prong outlet.
- Do not remove the ground prong.
- Do not use an adapter.
- Do not use an extension cord.
- Failure to do so can result in death, fire or electrical shock.

## WHEN NOT IN USE

Turn off water faucets to minimize leakage if a break or rupture should occur. Check the condition of the fill hoses; We recommend changing the hoses every 5 years.

### State of California Proposition 65 Warnings:

 **WARNING:** Cancer and Reproductive Harm  
-[www.P65Warnings.ca.gov](http://www.P65Warnings.ca.gov).

SAVE THESE INSTRUCTIONS

THIS APPLIANCE IS FOR HOUSEHOLD USE ONLY

# OPERATION REQUIREMENTS

## LOCATION OF YOUR WASHER

### DO NOT INSTALL THE WASHER:

1. In an area exposed to dripping water or outside weather conditions. The ambient temperature should never be below 60°F (15.6°C) for proper washer operation.
2. In an area where it will come in contact with curtains or drapes.
3. On carpet. The floor **MUST** be a hard surface with a maximum slope of ½" per foot (1.27 cm per 30 cm). To make sure the washer does not vibrate or move, you may have to reinforce the floor.

**NOTE:** If floor is in poor condition, use ¾" impregnated plywood sheet solidly attached to the existing floor covering.

### IMPORTANT: MINIMUM INSTALLATION CLEARANCES

- When installed in alcove: Sides, Rear, Top = 0" (0 cm)
- When installed in closet: Sides, Rear, Top = 0" (0 cm), Front = 1" (2.54 cm)
- Closet door ventilation openings required: 2 louvers each 60 square in. (387 cm), located 3" (7.6 cm) from top and bottom of door

## ELECTRICAL REQUIREMENTS

**Read these instructions completely and carefully.**

### **WARNING**

**TO REDUCE THE RISK OF FIRE, ELECTRICAL SHOCK AND PERSONAL INJURY:**

- **DO NOT USE AN EXTENSION CORD OR AN ADAPTER PLUG WITH THIS APPLIANCE. Washer must be electrically grounded in accordance with local codes and ordinances.**

**CIRCUIT** - Individual, properly polarized and grounded 16-amp branch circuit fused with 16-amp time -delay fuse or circuit breaker.

**POWER SUPPLY** - 2-wire with ground, 120V, single-phase, 50-Hz, alternating current.

**OUTLET RECEPTACLE** - Properly grounded receptacle located so the power supply cord is accessible when the washer is in an installed position.

## GROUNDING REQUIREMENTS

Improper connection of the equipment grounding conductor can result in a risk of electrical shock. Check with a licensed electrician if you are in doubt as to whether the appliance is properly grounded.

1. The washer **MUST** be grounded. In the event of malfunction or breakdown, grounding will reduce the risk of electrical shock by providing a path of least resistance for electrical current.
2. Since your washer is equipped with a power supply cord having an equipment-grounding conductor and a grounding plug, the plug **MUST** be plugged into an appropriate, copper-wired receptacle that is properly installed and grounded in accordance with all local codes. If in doubt, call a licensed electrician. **DO NOT** cut off or alter the grounding prong on the power supply cord. In situations where a two-slot receptacle is present, it is the owner's responsibility to have a licensed electrician replace it with a **properly grounded** grounding-type receptacle.

## WATER SUPPLY REQUIREMENTS

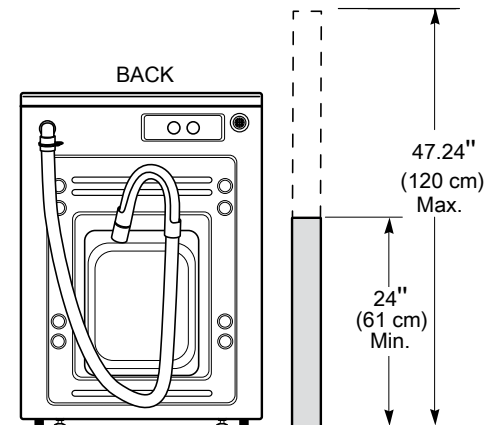
Cold water faucet **MUST** be installed within 42" (107 cm) of your washer's water inlet. The faucet **MUST** be  $\frac{3}{4}$ " (1.9 cm) garden hose-type so inlet hose can be connected. Water pressure **MUST** be between 10 and 120 psi. Your water department can advise you of your water pressure.

## DRAIN REQUIREMENTS

1. Drain capable of eliminating 64.3 L per minute.
2. A standpipe diameter of  $1\frac{1}{4}$ " (3.18 cm) minimum.
3. The standpipe height above the floor should be:

Minimum height: 24" (61 cm)

Maximum height: 47.24" (120 cm)



# INSTALLATION INSTRUCTIONS

## BEFORE YOU BEGIN

Read these instructions completely and carefully.

- **IMPORTANT** - Save these instructions for local inspector's use.
- **IMPORTANT** - Observe all governing codes and ordinances.
- **Note to Install** - Be sure to leave these instructions with the Consumer.
- **Note to Consumer** - Keep these instructions for future reference.
- **Skill level** - Installation of this appliance requires basic mechanical and electrical skills.
- **Completion time** - 1-3 hours
- Proper installation is the responsibility of the installer.
- Product failure due to improper installation is not covered under the Warranty.

## FOR YOUR SAFETY:

### **WARNING**

- This appliance must be properly grounded and installed as described in these Installation Instructions.
- Do not install or store the appliance in an area where it will be exposed to water/weather. See the Location of Your Washer section.
- **NOTE:** This appliance must be properly grounded, and electrical service to the washer.

## TOOLS REQUIRED

- Adjustable wrench or ½" socket with ratchet
- Adjustable wrench or ¾" open-end wrench
- Channel-lock adjustable pliers
- Carpenter's level



# PARTS REQUIRED (OBTAIN LOCALLY)

Water Hose (2)

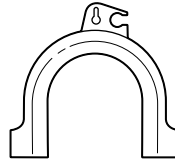


# PARTS SUPPLIED

Cable Tie



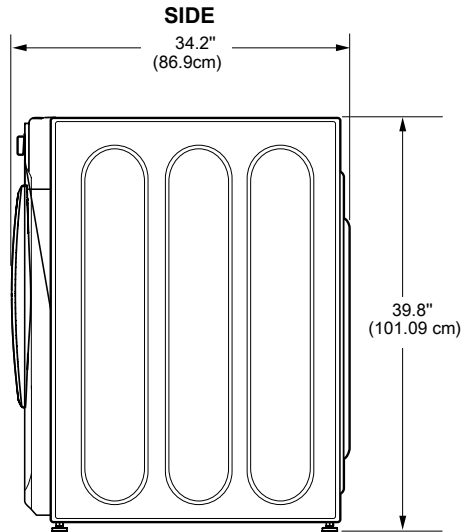
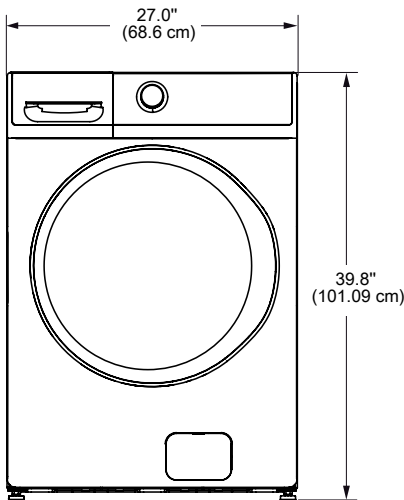
Drain Hose Guide



Inlet Hose Screen Washers(2)



# ROUGH-IN DIMENSIONS



**\*NOTE:** With pedestal, 52.6"  
Stacked, 84"

# UNPACKING THE WASHER

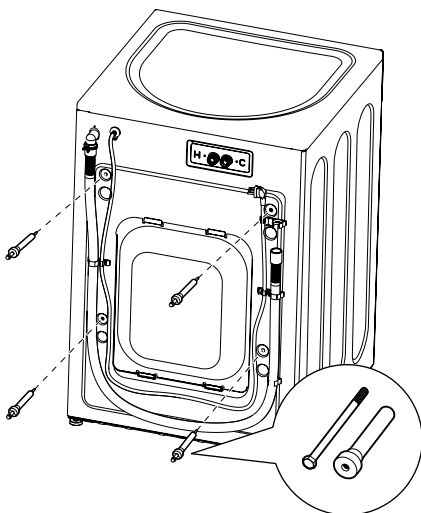
## WARNING:

- Recycle or destroy the carton and plastic bags after the washer is unpacked. Make materials inaccessible to children. Children might use them for play. Cartons covered with rugs, bedspreads or plastic sheets can become airtight chambers causing suffocation.

1. Cut and remove the top and bottom packaging straps.
2. While it is in the carton, carefully lay the washer on its side. DO NOT lay the washer on its front or back.
3. Turn down the bottom flaps—remove all base packaging, including the cardboard, styrofoam base and styrofoam tub support (inserted in center of base).

**NOTE:** If you are installing a pedestal, proceed to the installation instructions that come with the pedestal.

4. Carefully return the washer to an upright position and remove the carton.
5. Carefully move the washer to within 4 feet (122 cm) of the final location.
6. Remove the following from the back side of the washer:
  - 4 bolts
  - 4 plastic spacers (including rubber grommets)
  - 4 power cord retainers



**IMPORTANT:** Failure to remove the shipping bolts\* can cause the washer to become severely unbalanced.

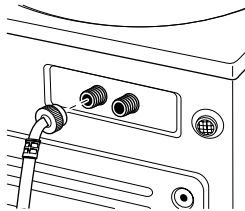
**Save all bolts for future use.**

\* Any damages from failure to remove the shipping bolts are not covered by the warranty.

**NOTE:** If you must transport the washer at a later date, you must reinstall the shipping support hardware to prevent shipping damage. Keep the hardware in the plastic bag provided.

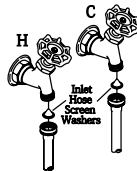
## INSTALLING THE WASHER

1. Run some water from the cold faucet to flush the water lines and remove particles that might clog up the inlet hose.
2. Ensure there is a rubber washer in the hoses. Reinstall the rubber washer into the hose fitting if it has fallen out during shipment. Carefully connect the inlet hose marked H<sup>OT</sup> to the outside “H” outlet of the water valve. Tighten by hand; then tighten another  $\frac{3}{8}$  turn with pliers. Carefully connect the other inlet hose to the inside “C” outlet of the water valve. Tighten by hand; then tighten another  $\frac{3}{8}$  turn with pliers.



**Do not crossthread or over-tighten these connections.**

3. Install the screen washers by inserting them into the free ends of the inlet hoses with protruded side facing the faucet.
4. Connect the inlet hose ends to the H<sup>OT</sup> and C<sup>OLD</sup> water faucets tightly by hand, then tighten another  $\frac{3}{8}$  turn with pliers. Turn the water on and check for leaks.



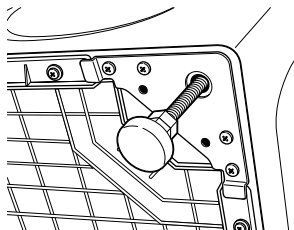
5. Carefully move the washer to its final location. Gently rock the washer into position ensuring inlet hoses do not become kinked. It is important not to damage the rubber leveling legs when moving your washer to its final location. Damaged legs can increase washer vibration. It may be helpful to spray window cleaner on the floor to help move your washer into its final position.

**NOTE:** To reduce vibration, ensure that all four rubber leveling legs are firmly touching the floor. Push and pull on the back right and then back left of your washer.

**NOTE:** Do not use the dispenser drawer or door to lift the washer.

**NOTE:** If you are installing into a drain pan, you can use a 24-inch long 2x4 to lever the washer into place.

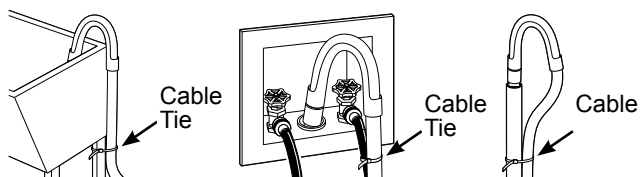
6. With the washer in its final position, place a level on top of the washer (if the washer is installed under a counter, the washer should not be able to rock). Adjust the front leveling legs up or down to ensure the washer is resting solid. Turn the locknuts on each leg up towards the base of the washer and snug with a wrench.



**NOTE:** Keep the leg extension at a minimum to prevent excessive vibration. The farther out the legs are extended, the more the washer will vibrate.

If the floor is not level or is damaged, you may have to extend the rear leveling legs.

7. Attach the U-shaped hose guide to the end of the drain hose. Place the hose in a laundry tub or standpipe and secure it with the cable tie provided in the enclosure package.



**NOTE:** Placing the drain hose too far down the drain pipe can cause a siphoning action. No more than 7 inch (17.78 cm) of hose should be in the drain pipe. There must be an air gap around the drain hose. A snug fit can also cause a siphoning action.

8. Plug the power cord into a grounded outlet.

**NOTE:** Check to be sure the power is off at the circuit breaker/fuse box before plugging the power cord into an outlet.

9. Turn on the power at the circuit breaker/fuse box.
10. Read the rest of this Owner's Manual. It contains valuable and helpful information that will save you time and money.
11. **Before starting the washer, check to make sure:**
  - Main power is turned on.
  - The washer is plugged in.

- The water faucets are turned on.
- The unit is level and all four leveling legs are firmly on the floor.
- The shipping support hardware is removed and saved.
- The drain hose is properly tied up.

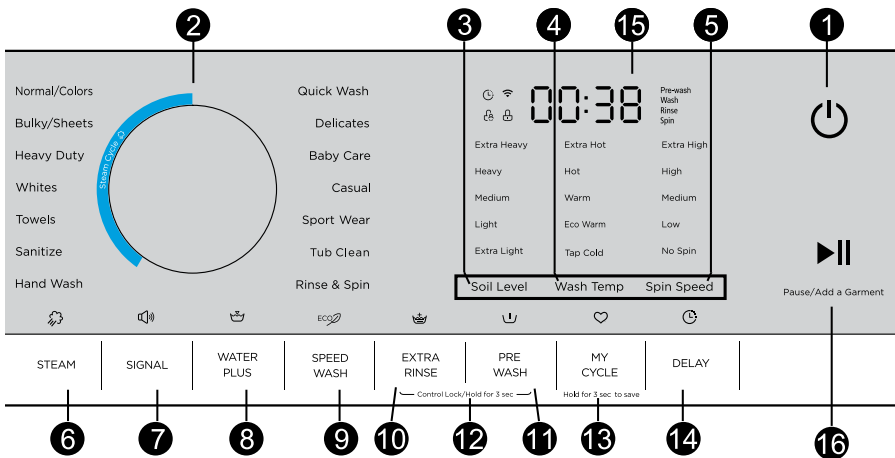
12. Run the washer through a complete cycle.

13. If your washer does not operate, please review the Before You Call For Service section before calling for service.

14. Place these instructions in a location near the washer for future reference.

## WASHER USE

### CONTROL PANEL



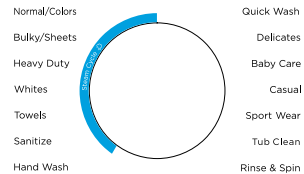
### QUICK START

1 Press the Power button.

If the screen is dark, a press of the Power button will “wake up” the display.



2 Select a wash cycle. (Defaults are set for each cycle. These default settings can be changed. See Control setting for more information).



3 Press the Start/Pause button. ▶▶

## CONTROL SETTING

### 1 Power

Press to “wake up” the display. If the display is active, press to put the washer into standby mode.

**NOTE:** Pressing Power does not disconnect the appliance from the power supply.

### 2 Wash Cycles

The wash cycles are optimized for specific types of wash loads. The chart below will help you match the setting with the loads.

Normals/ Colors*	For heavily to lightly soiled colorfast cottons, household linens, work and play clothes. <b>NOTE:</b> This is the most common cycle.
Bulky/ Sheets*	For large items such as comforters, blankets, small rugs and similar bulky items.
Heavy/ Duty*	Washing the large and heavy clothing, such as overcoats or towels.
White*	For heavily to lightly soiled white laundry, work and play clothes
Towels*	For items such as towels, sheets, pillowcases and dish rags.
Sanitize*	For increased water temperature which will sanitize and kill more than 99.9% of many common bacteria found in home laundry. For best results, select the extra heavy soil setting when using the Sanitize cycle.
Hand wash/ Wool*	Especially gentle wash program for wool or hand-wash fabrics.
Quick Wash	For lightly soiled items needed in a hurry. Cycle time is approximately 50 minutes, depending on selected options.
Delicates	For delicate, washable textiles, e.g. made of silk, satin, synthetic fibers or blended fabrics.
Baby Care	Washing the baby's clothes, it can make the baby's wear cleaner and make the rinse performance better to protect the baby skin.
Casual	Mixed load consisting of textiles made of cotton and synthetics.
Sport Wear	Washing the activewear.

Tub Clean	Use for cleaning the basket of residue and odor. Recommended use of at least once per month. <b>NOTE:</b> Never load laundry white using Tub Clean. The laundry may become damaged See the Care and Cleaning section.
Rinse & Spin	To quickly rinse and spin out any items at any time. To achieve a Drain +Spin, deselect the Extra Rinse option.

### 3 SoilLevel

Change the **Soil** level to increase or decrease the wash time to remove different amounts of soil.

To change the **Soil** level, press the **Soil** level button until you have reached the desired setting. You can choose between Extra Light, Light, Medium, Heavy or Extra Heavy soil levels.

### 4 WashTemp

Adjust to select the proper main water temperature for the wash cycle. The PreWash rinse water is always cold to help reduce energy usage and reduce setting of stains and wrinkles.

To change the wash temperature, press the wash Temp button until you have reached the desired setting. You can choose between Tap Cold, Eco Warm, Warm, Hot or Extra Hot.

Follow the fabric manufacturer's care label when selecting the wash temperature.

By design, to protect fabrics, not all wash temperatures are available for certain wash cycles.

### 5 SpinSpeed

Changing the **Spin** speed changes the final **spin** speed of the cycles. Always follow the garment manufacturer's care label when changing the Spin speed.

To change the **Spin** speed, press the **Spin** speed button until you have reached the desired setting. You can choose between No Spin, Low, Medium, High or Extra High. Higher spin speeds are not available on certain cycles, such as Delicates. Higher spin speeds remove more water from the clothes and will help reduce dry time, but may also increase the possibility of setting wrinkles on some fabrics.

## 6 Steam

**Steam** adds steam into the washer to assist with loosening stains on the Normal/Colors, Bulky/ Sheets, Heavy Duty, Whites, Towels, Sanitize or Hand Wash cycle.

To use:

1. Turn power ON and select a wash cycle.
2. Select the Add **Steam** button to activate steam.
3. Press the Start/Pause button.

## 7 Signal

Use the **Signal** pad to change the volume of the end-of-cycle signal.

Press the pad until you reach the desired volume.

## 8 Water-Plus

Increases the water level of the main wash.

To use:

1. Turn power ON and select a wash cycle.
2. Select the Add **Water-Plus** button to activate water plus.
3. Press the Start/Pause button.

## 9 Speed Wash

This option reduces the overall washer cycle time by optimizing the wash, rinse and spin actions and/or gently raising the wash temperature to get clothes cleaned faster. Option is available on Normal, Whites, Towels/Sheets, Delicates, Bulky Items and Active Wear cycles. Total wash time will vary based on cycle chosen and options selected.

To use:

1. Turn power on and select a wash cycle which has Time Saver as an option.
2. Make any adjustments to Soil, Temp and Spin as desired.
3. Press the Time Saver button to reduce the overall wash time.
4. Press the Start/Pause button.

## 10 Extra Rinse

This option allows for an **extra rinse** during a cycle to remove excess dirt and detergent from soiled loads.

A drain and spin cycle can be achieved by pressing the **Extra Rinse** button until the light is no longer illuminated.



---

## 11 Pre-Wash

**Prewash** is an extra wash before the main wash. Use it for heavily soiled clothes or for clothes with a care label that recommends **prewashing** before washing. Be sure to add liquid or powder high-efficiency detergent, or the proper wash additive to the prewash dispenser.

**PreWash** must be selected prior to pressing Start. The **PreWash** feature will fill the washer with cold water (adding the prewash detergent), tumble the clothes, drain and spin. Then the washer will run the selected wash cycle.

---

## 12 Extra Rinse and Pre Wash

Control Lock/Hold for 3 sec

You can lock the controls to prevent any selections from being made. Or you can lock or unlock the controls after you have started a cycle.

Children cannot accidentally start the washer by touching buttons with this option selected.

To lock the washer, press and hold the **Extra Rinse and Pre Wash** buttons for 3 seconds.

To unlock the washer controls, press and hold **Extra Rinse and Pre Wash** buttons for 3 seconds.

**NOTE:** The **Power** button can still be used when the machine is locked.

---

## 13 My Cycle

To save a favorite cycle, set the desired setting for wash cycle, soil level, spin speed and wash temp settings and hold down the My Cycle button for 3 seconds. A beep will sound to indicate the cycle has been saved.

To use your custom cycle, press the **My Cycle** button before washing a load.

To change the saved cycle, set the desired setting and hold down the **My Cycle** button for 3 seconds.

**NOTE:** When using **My Cycle**, wash options cannot be modified after the cycle has been started.

**NOTE:** If you change wash options with **My Cycle** before starting the cycle, the **My Cycle** light will turn off and you will be returned to the base cycle.

---

## 14 Delay

You can delay the start of a wash cycle for up to 24 hours. Press the **Delay Wash** button to choose the amount of time you want to delay the start of the wash cycle. Once the desired time is reached, press the Start button. The machine will count down and start automatically at the correct time.

**NOTE:** If you forget to fully close the door, a remainder signal will beep reminding you to do so.

**NOTE:** If you open the door when the delay is counting down, the machine will enter the pause state. You must close the door and press Start again in order to restart the countdown.

## 15 Display

Displays the approximate time remaining until the end of the cycle.

**NOTE:** The cycle time is affected by the water pressure in your home and the balance of the load in the washer. You may see the time remaining on the display increase to accommodate a slower spin speed to handle unbalanced loads.



Cycle status is also displayed and certain features such as Delay Wash or Steam are shown indicating they have been selected.

### A Display:

Wash Time	Delay Time
125	2h
Speed	Error
100	E30
End	Temp
End	30

### B Wi-Fi (on some models)

### C Remain-Delay

### D Control Lock

### E Door Lock

## 16

Pause/Add a Garment

Press to start a wash cycle. If the washer is running, pressing it once will pause the washer. Press again to restart the wash cycle.

If you want add a garment, please press the Start/Pause. The washer will unlock the door. Press again to restart the cycle.

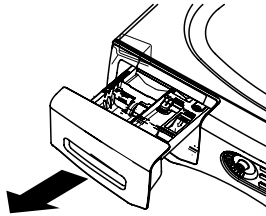
**NOTE:** In some cycles the washer will drain first, then unlock the door when it is paused.

**NOTE:** The washer performs automatic system checks after pressing the **Start** button. Water will flow in 45 seconds or less. You may hear the door lock and unlock before water flows; this is normal.

# FEATURES

## THE DISPENSER DRAWER

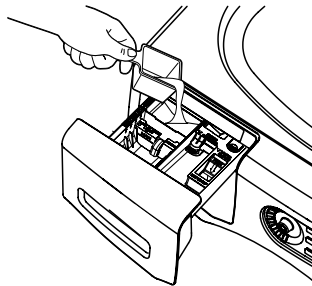
Slowly open the dispenser drawer by pulling it out until it stops. After adding laundry products, slowly close the dispenser drawer. Closing the drawer too quickly could result in early dispensing of the bleach, fabric softener or detergent.



You may see water in the dispenser drawer at the end of the cycle. This is a result of the flushing/siphoning action and is part of the normal operation of the washer.

### The Prewash Compartment

- Only use the Prewash Compartment if you are selecting the Prewash cycle for heavily soiled clothes. Add measured detergent or prewash additive to the back left prewash compartment of the dispenser drawer.



- Detergent or prewash additive is flushed from the dispenser in the prewash cycle (if selected).

**NOTE:** Liquid detergent will drain into the washer drum as it is added.

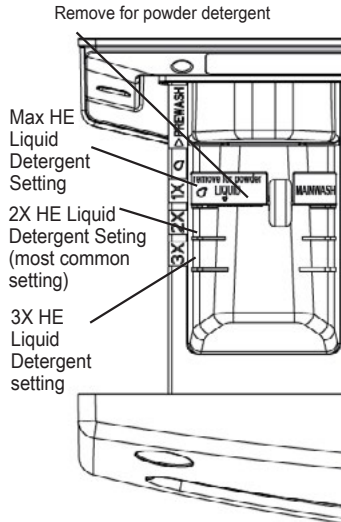
- Detergent usage may need to be adjusted for water temperature, water hardness, size and soil level of the load. Avoid using too much detergent in your washer as it can lead to over sudsing and detergent residue being left on the clothes.

## The Detergent Compartment

- **High-efficient detergent is required for this washer. Use the detergent manufacturer's recommended amount.**



- Add measured detergent to the front left detergent compartment of the dispenser drawer.

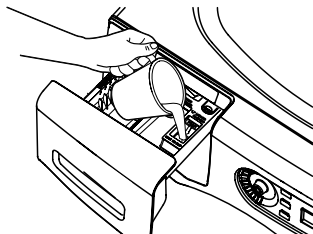


- Detergent is flushed from the dispenser at the beginning of the wash cycle. Either powdered or liquid detergent can be used.
- Powder Detergent-Remove the Detergent selection insert and place it in a safe location outside of the washer. Follow the detergent manufacturer's instructions when measuring the amount of powder to use.
- Detergent usage may need to be adjusted for water temperature, water hardness, size and soil level of the load. Avoid using too much detergent in your washer as it can lead to oversudsing and detergent residue being left on the clothes.
- Using more detergent than the recommended quantity can cause residue buildup on your washer.
- Liquid Detergent - Locate the concentration of your detergent on the bottle. Place the Detergent selection insert in the corresponding location depending on the concentration.

## The Liquid Bleach Compartment

**IMPORTANT:** Be sure to identify the correct compartment for bleach before using.

If desired, measure out the recommended amount of liquid bleach, not to exceed  $\frac{1}{3}$  cup (80 ml), and pour into the right compartment labeled "LIQUID BLEACH".



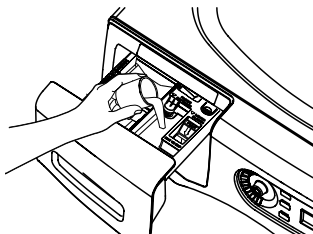
Do not exceed the maximum fill line. Overfilling can cause early dispensing of the bleach which could result in damaged clothes.

**NOTE:** Do not use powdered bleach in the dispenser.

## The Fabric Softener Compartment

**IMPORTANT:** Be sure to identify the correct compartment for fabric softener before using.

If desired, pour the recommended amount of liquid fabric softener into the compartment labeled "FABRIC SOFTENER".



Use only liquid fabric softener in the dispenser.

Dilute with water to the maximum fill line.

Do not exceed the maximum fill line. Overfilling can cause early dispensing of the fabric softener which could stain clothes.

**NOTE:** Do not pour fabric softener directly on the wash load.

# LOADING AND USING THE WASHER

Always follow fabric manufacturer's care label when laundering.

## SORTING WASH LOADS

Sort laundry into loads that can be washed together.

COLORS	SOIL	FABRIC	LINT
Whites	Heavy	Delicates	Lint Producers
Lights	Normal	Easy Care	Lint Collectors
Darks	Light	Sturdy Cottons	

- Combine large and small items in a load. Load large items first. Large items should not be more than half the total wash load.
- Washing single items is not recommended. This may cause an out-of-balance load. Add one or two similar items.
- Pillows and comforters should not be mixed with other items. This may cause an out-of-balance load.

### WARNING

#### Fire Hazard



- Never place items in the washer that are dampened with gasoline or other flammable liquids.
- No washer can completely remove oil.
- Do not dry anything that has ever had any type of oil on it (including cooking oils).
- Doing so can result in death, explosion, or fire.

## PREPARING CLOTHES

### To avoid snags during washing:

Follow these steps to maximize garment care.

- Close garment zippers, snaps, buttons and hooks.
- Mend seams, hems, tears.
- Empty all items from pockets.
- Remove nonwashable garment accessories such as ornaments and nonwashable trim materials.
- To avoid tangling, tie strings, draw ties and belt-like materials.
- Brush away surface dirt and lint.
- Promptly wash wet or stained garments to maximize results.
- Use nylon mesh garment bags to wash small items.
- Wash multiple garments at one time for best results.

## LOADING THE WASHER

Wash drum may be fully loaded with loosely added items. Do not wash fabrics containing flammable materials (waxes, cleaning fluids, etc.).

To add items after washer has started, press Start and wait until the door is unlatched. The washer may take up to 30 seconds to unlock the door after pressing Start depending on the machine conditions. Do not try to force open the door when it is locked. After the door unlocks, open gently. Add items, close the door and press Start to restart.

## WASHER CARE

### CLEANING

#### EXTERIOR

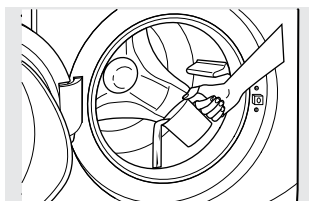
Immediately wipe off any spills. Wipe with damp cloth. Do not hit surface with sharp objects.

#### INTERIOR

To clean the interior of the washer, select the Tub Clean feature on the control panel. This Tub Clean cycle should be performed, at a minimum, once per month. This cycle will use more water, in addition to bleach, to control the rate at which soils and detergents may accumulate in your washer.

**NOTE:** Read the instructions below completely before starting the Tub Clean cycle.

1. Remove any garments or objects from the washer and ensure the washer basket is empty.
2. Open the washer door and pour one cup or 250 ml of liquid bleach or other washing machine cleaner into the basket.



3. Close the door and select the Tub Clean cycle. Push the Start pad.
4. When the Tub Clean cycle is working, the display will show the estimated cycle time remaining. The cycle will complete in about 90 minutes. Do not interrupt the cycle.

5. After the cycle is complete, leave the door open slightly for better ventilation.

If for any reason the cycle needs to be interrupted, the door will not open immediately. Forcing open the door at this stage may cause water to flood. The door will open after the water is drained to a level where it would not flood the floor.

Tub Clean may be interrupted by pressing the Start pad in between cycles. A power outage in the house might also interrupt the cycle. When the power supply is back, the Tub Clean cycle resumes where it had stopped. When interrupted, be sure to run a complete Tub Clean cycle before using the washer. If the Power pad is pressed during Tub Clean, the cycle will be lost.

### IMPORTANT:

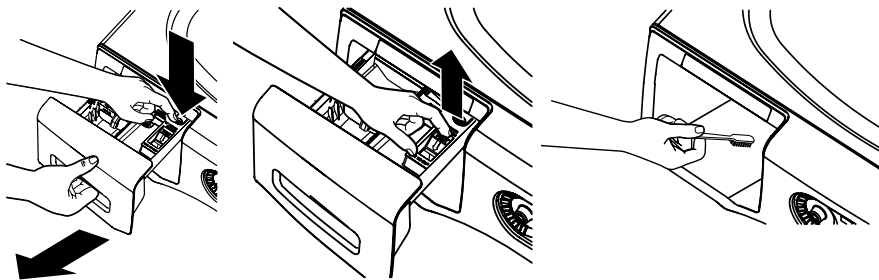
- Run Tub Clean with 1 Cup (250 ml) of bleach once a month.
- After the completion of a Tub Clean cycle, the interior of your washer may have a bleach smell.
- It is recommended to run a light color load after the Tub Clean cycle.

## DISPENSER DRAWER AREA

Detergent and fabric softener may build up in the dispenser drawer. Residue should be removed once or twice a month.

Lock tab is visible only after drawer has been pulled open.

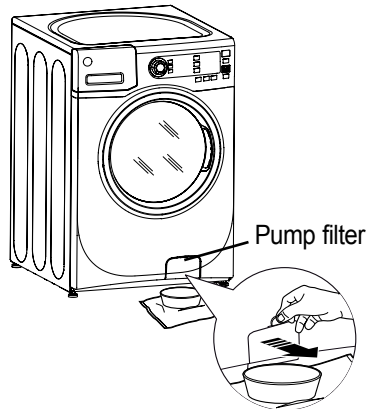
Remove the drawer by first pulling it out until it stops. Then reach back into right rear corner of the drawer cavity and press down firmly on the lock tab, pulling out the drawer.



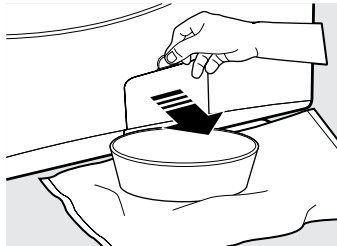


## CLEANING THE PUMP FILTER

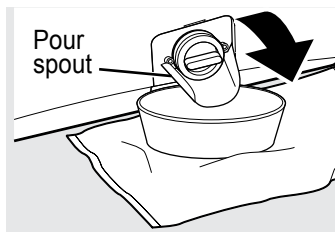
Due to the nature of the front-load washer, it is sometimes possible for small articles to pass to the pump. The washer has a filter to capture lost items so they are not dumped to the drain. To retrieve lost items, clean out the pump filter.



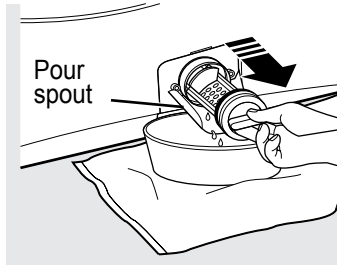
1. Using a coin or flat screwdriver in the notch on the door, open the access door.



2. Place a shallow pan or dish under the pump access door and towels on the floor in front of the washer to protect the floor. It is normal to catch about a cup of water when the filter is removed.
3. Pull down the pour spout.



4. Turn the pump filter counterclockwise and remove the filter. Open slowly to allow the water to drain.



5. Clean the debris from the filter.
6. Replace the filter and turn clockwise. Tighten securely.
7. Flip up the pour spout.
8. Close the access door.

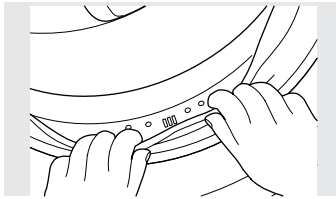


## CLEANING THE DOOR GASKET

1. Open the washer door. Using both hands, press down the door gasket. Remove any foreign objects if found trapped inside the gasket. Make sure there is nothing blocking the holes behind the gasket.



2. While holding down the door gasket, inspect the interior gasket by pulling it down with your fingers. Remove any foreign objects if found trapped inside this gasket. Make sure there is nothing blocking the holes behind the gasket.



3. When you are finished cleaning the door gasket, remove your hands and the gasket will return to the operating position.

## MOVING, STORAGE AND LONG VACATIONS

Ask the service technician to remove water from drain pump and hoses. Do not store the washer where it will be exposed to the weather. When moving the washer, the tub should be kept stationary by using the shipping bolts removed during installation. See Installation Instructions in this book.

Be sure the water supply is shut off at the faucets. Drain all water from the hoses if the weather will be below freezing.

# BEFORE YOU CALL FOR SERVICE...

## Troubleshooting Tips

Save time and money! Review the charts on the following pages first and you may not need to call for service.

Problem	Possible Cause	What To Do
<b>Not draining</b> <b>Not spinning</b> <b>Not agitating</b>	<b>Load is out of balance</b>  <b>Pump clogged</b>  <b>Drain hose is kinked or improperly connected</b>  <b>Household drain may be clogged</b>  <b>Drain hose siphoning; drain hose pushed too far down the drain</b>	<ul style="list-style-type: none"> <li>• Redistribute clothes and run drain &amp; spin or rinse &amp; spin.</li> <li>• Increase load size if washing small load containing heavy and light items.</li> <li>• See page 25 on how to clean the Pump Filter.</li> <li>• Straighten drain hose and make sure washer is not sitting on it.</li> <li>• Check household plumbing. You may need to call a plumber.</li> <li>• Ensure there is an air gap between hose and drain.</li> </ul>
<b>Leaking water</b>	<b>Door gasket is damaged</b>  <b>Door gasket not damaged</b>  <b>Check back left of washer for water</b>	<ul style="list-style-type: none"> <li>• Check to see if gasket is seated and not torn. Objects left in pockets may cause damage to the washer (nails, screws, pens, pencils).</li> <li>• Water may drip from the door when the door is opened. This is a normal operation.</li> <li>• Carefully wipe off rubber door seal. Sometimes dirt or clothing is left in this seal and can cause a small leak.</li> <li>• If this area is wet, you have oversudsing condition. Use less detergent.</li> </ul>

Washer Safety
Operation Requirements
Installation Instructions
Washer Use
Washer Care
Troubleshooting

<b>Problem</b>	<b>Possible Cause</b>	<b>What To Do</b>
<b>Leaking water (cont.)</b>	<b>Fill hoses or drain hose is improperly connected</b>	<ul style="list-style-type: none"> <li>• Make sure hose connections are tight at washer and faucets and make sure end of drain hose is correctly inserted in and secured to drain facility.</li> </ul>
	<b>Household drain may be clogged</b>	<ul style="list-style-type: none"> <li>• Check household plumbing. You may need to call a plumber.</li> </ul>
	<b>Dispenser clogged</b>	<ul style="list-style-type: none"> <li>• Powder soap may cause clogs inside the dispenser and cause water to leak out the front of the dispenser. Remove drawer and clean both drawer and inside of dispenser box. Please refer to Cleaning the Washer section.</li> </ul>
	<b>Incorrect use of detergent</b>	<ul style="list-style-type: none"> <li>• Use HE and correct amount of detergent.</li> </ul>
	<b>Dispenser box crack</b>	<ul style="list-style-type: none"> <li>• If new installation, check for crack on inside of dispenser box.</li> </ul>
<b>Clothes too wet</b>	<b>Load is out of balance</b>	<ul style="list-style-type: none"> <li>• Redistributes clothes and run drain &amp; spin or rinse &amp; spin.</li> <li>• Increase load size if washing small load containing heavy and light items.</li> <li>• The machine will slow the spin speed down to 400 rpm if it has a hard time balancing the load. This speed is normal.</li> </ul>
	<b>Pump clogged</b>	<ul style="list-style-type: none"> <li>• See page 25 on how to clean the Pump Filter.</li> </ul>
	<b>Overloading</b>	<ul style="list-style-type: none"> <li>• The dry weight of the load should be less than 22 lbs.</li> </ul>
	<b>Drain hose is kinked or improperly connected</b>	<ul style="list-style-type: none"> <li>• Straighten drain hose and make sure washer is not sitting on it.</li> </ul>

Problem	Possible Cause	What To Do
<b>Clothes too wet (cont.)</b>	<b>Household drain may be clogged</b>	<ul style="list-style-type: none"> <li>• Check household plumbing. You may need to call a plumber.</li> </ul>
	<b>Drain hose siphoning; drain hose pushed too far down the drain</b>	<ul style="list-style-type: none"> <li>• Ensure there is an air gap between hose and drain.</li> </ul>
<b>Incomplete cycle or timer not advancing</b>	<b>Automatic load redistribution</b>	<ul style="list-style-type: none"> <li>• Timer adds 3 minutes to cycle for each rebalance. 11 or 15 rebalances may be done. This is normal operation. Do nothing; the machine will finish the wash cycle.</li> </ul>
	<b>Pump clogged</b>	<ul style="list-style-type: none"> <li>• See page 25 on how to clean the Pump Filter.</li> </ul>
	<b>Drain hose is kinked or improperly connected</b>	<ul style="list-style-type: none"> <li>• Straight drain hose and make sure washer is not sitting on it.</li> </ul>
	<b>Household drain may be clogged</b>	<ul style="list-style-type: none"> <li>• Check household plumbing. You may need to call a plumber.</li> </ul>
	<b>Drain hose siphoning; drain hose pushed too far down the drain</b>	<ul style="list-style-type: none"> <li>• Ensure there is an air gap between hose and drain.</li> </ul>
<b>Loud or unusual noise; vibration or shaking</b>	<b>Cabinet moving</b>	<ul style="list-style-type: none"> <li>• Washer is designed to move ¼" to reduce forces transmitted to the floor. This movement is normal.</li> </ul>
	<b>All rubber leveling legs are not firmly touching the floor</b>	<ul style="list-style-type: none"> <li>• Push and pull on the back right and then back left of your washer to check if it is level. If the washer is uneven, adjust the rubber leveling legs so they are all firmly touching the floor and locked in place. Your installed should correct this problem.</li> </ul>
	<b>Unbalanced load</b>	<ul style="list-style-type: none"> <li>• Open door and manually redistribute load. To check machine, run rinse and spin with no load. If normal, unbalance was caused by load.</li> </ul>
	<b>Pump clogged</b>	<ul style="list-style-type: none"> <li>• See page 25 on how to clean the Pump Filter.</li> </ul>

Problem	Possible Cause	What To Do
<b>No power/ washer not working or dead</b>	<p><b>Washer is unplugged</b></p> <p><b>Washer is unplugged</b></p> <p><b>Circuit breaker/fuse is tripped/blown</b></p> <p><b>Automatic self system checks</b></p>	<ul style="list-style-type: none"> <li>• Make sure cord is plugged securely into a working outlet.</li> <li>• Turn cold faucet fully on.</li> <li>• Check house circuit breaker/fuses. Replace fuses or reset breaker. Washer should have separate outlet.</li> <li>• First time the washer is plugged in, automatic checks occur. It may take up to 20 seconds before you can use your washer. This is normal operation.</li> </ul>
<b>Snags, holes, tears, rips or excessive wear</b>	<p><b>Overloaded</b></p> <p><b>Pens, pencils, nails, screws or other objects left in pockets</b></p> <p><b>Pins, snaps, hooks, sharp buttons, belt buckles, zippers and sharp objects left in pockets</b></p>	<ul style="list-style-type: none"> <li>• The dry weight of the load should be less than 22 lbs.</li> <li>• Remove loose items from pockets.</li> <li>• Fasten snaps, hooks, buttons and zippers.</li> </ul>
<b>Control time wrong or changes</b>	<b>This is normal</b>	<ul style="list-style-type: none"> <li>• During spin the washer may need to rebalance the load sometimes to reduce vibrations. When this happens, the estimated time is increased causing time left to increase or jump.</li> </ul>
<b>Not enough water</b>	<b>This is normal</b>	<ul style="list-style-type: none"> <li>• Horizontal washers do not require the tub to fill with water like top-load washers.</li> </ul>
<b>Washer pauses or has to be restarted, or washer door is locked and will not open</b>	<b>Pump clogged</b>	<ul style="list-style-type: none"> <li>• See page 25 on how to clean the Pump Filter.</li> </ul>

Problem	Possible Cause	What To Do
<b>Door unlocks or press Start and machine doesn't operate</b>	<b>This is normal</b>	<ul style="list-style-type: none"> <li>• Front-load washers start up differently than top-load washers, and it takes 30 seconds to check the system. The door will lock and unlock.</li> </ul>
	<b>Incorrect operation</b>	<ul style="list-style-type: none"> <li>• Simply open and close the door firmly; then press Start.</li> </ul>
<b>Water does not enter washer or enters slowly</b>	<b>Automatic self system checks</b>	<ul style="list-style-type: none"> <li>• After Start is pressed, the washer does several system checks. Water will flow 60 seconds after Start is pressed.</li> </ul>
	<b>Water supply is turned off</b>	<ul style="list-style-type: none"> <li>• Turn on water supply.</li> </ul>
	<b>Water valve screens are stopped up</b>	<ul style="list-style-type: none"> <li>• Turn off the water source and remove the water connection hoses from the upper back of the washer. Use a brush or toothpick to clean the screens in the machine. Reconnect the hose and turn the water back on.</li> </ul>
<b>Wrinkling</b>	<b>Improper sorting</b>	<ul style="list-style-type: none"> <li>• Avoid mixing heavy items (like work clothes) with light items (like blouses).</li> </ul>
	<b>Overloading</b>	<ul style="list-style-type: none"> <li>• Load your washer so clothes have enough room to move freely.</li> </ul>
	<b>Incorrect wash cycle</b>	<ul style="list-style-type: none"> <li>• Match cycle selection to the type of fabric you are washing (especially for easy care loads).</li> </ul>
	<b>Repeated washing in water that is too hot</b>	<ul style="list-style-type: none"> <li>• Wash in warm or cold water.</li> </ul>



<b>Problem</b>	<b>Possible Cause</b>	<b>What To Do</b>
<b>Grayed or yellowed clothes</b>	<b>Not enough detergent</b>	<ul style="list-style-type: none"> <li>• Use correct amount of detergent.</li> </ul>
	<b>Not using HE (high-efficiency) detergent</b>	<ul style="list-style-type: none"> <li>• Use HE detergent.</li> </ul>
	<b>Hard water</b>	<ul style="list-style-type: none"> <li>• Use hottest water safe for fabric.</li> <li>• Use a water conditioner like Calgon brand or install a water softener.</li> </ul>
	<b>Detergent is not dissolving</b>	<ul style="list-style-type: none"> <li>• Try a liquid detergent.</li> </ul>
<b>Colored spots</b>	<b>Dye transfer</b>	<ul style="list-style-type: none"> <li>• Sort clothes by color. If fabric label states wash separately unstable dyes may be indicated.</li> </ul>
	<b>Incorrect use of fabric softener</b>	<ul style="list-style-type: none"> <li>• Check fabric softener package for instructions and follow directions for using dispenser.</li> </ul>
<b>Slight variation in metallic color</b>	<b>Dye transfer</b>	<ul style="list-style-type: none"> <li>• Sort whites or lightly colored items from dark colors.</li> <li>• Do not dry in the dryer and wash again.</li> </ul>
	<b>This is normal appearance</b>	<ul style="list-style-type: none"> <li>• Due to the metallic properties of paint used for this unique product, slight variations of color may occur due to viewing angles and lighting conditions.</li> </ul>

Problem	Possible Cause	What To Do
<b>Smell inside your washer</b>	<b>Washer unused for a long time, not using recommended quality of HE detergent or used too much detergent</b>	<ul style="list-style-type: none"> <li>• Run a Tub Clean cycle once a month.</li> <li>• In the case of strong smell, you may need to run the Tub Clean cycle more than once a month.</li> <li>• Use only the amount of detergent recommended on the detergent container.</li> <li>• Use only HE (high-efficiency) detergent.</li> <li>• Always remove wet items from the washer promptly after machine stops running.</li> <li>• Leave the door slightly open for the water to air dry. Close supervision is necessary if this appliance is used by or near children. Do not allow children to play on, with or inside this or any other appliance.</li> </ul>
	<b>Detergent leak</b>	<b>Incorrect placement of detergent insert</b>
<b>Improper dispensing of softener or bleach</b>	<b>Dispenser clogged</b>	Monthly clean the dispenser drawer to remove buildup of chemicals.
	<b>Softener or bleach is filled above the max line</b>	Make sure to have the correct amount of softener or bleach.
	<b>Softener or bleach cap issue</b>	Make sure softener and bleach cap for dispenser are seated or they will not work.

- Washer Safety
- Operation Requirements
- Installation Instructions
- Washer Use
- Washer Care
- Troubleshooting

## ERROR CODES

Description	Reason	Solution
E30	<b>Door is not closed properly</b>	Restart after the door is closed. Check if the clothes is stuck.
E10	<b>Water injecting problem while washing</b>	Check if the water pressure is too low. Straighten the water hoses. Check if the inlet valve filter is blocked.
E21	<b>Overtime water draining</b>	Check if the drain hose is blocked, clean drain filter.
E12	<b>Water overflow</b>	Restart the washer.
EXX	<b>Others</b>	Please try again first, call up service line if there are still troubles.

# MIDEA LAUNDRY WASHER LIMITED WARRANTY

## **ATTACH YOUR RECEIPT HERE. PROOF OF PURCHASE IS REQUIRED TO OBTAIN WARRANTY SERVICE.**

Please have the following information available when you call the Customer Service Center:

- Name, address and telephone number
- Model number and serial number
- A clear, detailed description of the problem
- Proof of purchase including dealer or retailer name and address

### **IF YOU NEED SERVICE:**

1. Before contacting us to arrange service, please determine whether your product requires repair. Some questions can be addressed without service. Please take a few minutes to review the Troubleshooting section of the User Manual, or visit <http://us.Midea.com/support>
2. All warranty service is provided exclusively by our authorized Midea Service Providers, in the U.S. and Canada.

#### **Midea Customer Service**

**In the U.S.A. or Canada, call 1-866-646-4332.**

If outside the 50 States of the United States or Canada, contact your authorized Midea dealer to determine whether another warranty applies.

## **LIMITED WARRANTY**

### **WHAT IS COVERED**

#### **FIRST YEAR LIMITED WARRANTY (PARTS AND LABOR)**

For one year from the date of purchase, if this major appliance is installed, operated and maintained according to instructions attached to or furnished with the product, Midea America Corporation (hereafter "Midea") will pay for factory specified replacement parts and repair labor to correct defects in materials or workmanship that existed when this major appliance was purchased, or at its sole discretion replace the product. In the event of product replacement, your appliance will be warranted for the remaining term of the original unit's warranty period.

#### **TEN YEAR WARRANTY INVERTER MOTOR ONLY - LABOR NOT INCLUDED**

In the second through tenth years from the date of original purchase, when this major appliance is installed, operated and maintained according to instructions attached to or furnished with the product, Midea will pay for factory parts to replace the inverter motor if it fails and prevent an essential function of this major appliance and that existed when this major appliance was purchased. This is a 10 -year warranty on the parts only and does not include repair labor.

#### **LIFETIME LIMITED WARRANTY (STAINLESS STEEL TUB)**

For the lifetime of the product from the date of original purchase, when this major appliance is installed, operated and maintained according to instructions attached to or furnished with the product, Midea will pay for factory specified parts and repair labor for the following components to correct non-cosmetic defects in materials or workmanship that existed when this major appliance was purchased:

- Stainless steel tub

**YOUR SOLE AND EXCLUSIVE REMEDY UNDER THIS LIMITED WARRANTY SHALL BE PRODUCT REPAIR OR REPLACEMENT AS PROVIDED HEREIN.** Service must be provided by a Midea designated service company. This limited warranty is valid only in the 50 States of the United States or Canada and applies only when the major appliance is used in the country in which it was purchased. This limited warranty is effective from the date of original consumer purchase. Proof of original purchase date is required to obtain service under this limited warranty.

## LIMITED WARRANTY

### WHAT IS NOT COVERED

1. Commercial, non-residential or multiple-family use, or use inconsistent with published user, operator or installation instructions.
2. In-home Instruction on how to use your product.
3. Service to correct improper product maintenance or installation, installation not in accordance with electrical or plumbing codes or correction of household electrical or plumbing (i.e. house wiring, fuses, plumbing or water inlet hoses).
4. Consumable parts (i.e. light bulbs, batteries, air or water filters, etc.).
5. Defects or damage caused by the use of non-genuine Midea parts or accessories.
6. Damage from accident, misuse, abuse, fire, floods, electrical issues, acts of God or use with products not approved by Midea.
7. Repairs to parts or systems to correct product damage or defects caused by unauthorized service, alteration or modification of the appliance.
8. Cosmetic damage including scratches, dents, chips, and other damage to appliance finishes unless such damage results from defects in materials and workmanship and is reported to Midea within 30 days.
9. Routine maintenance of the product.
10. Products that were purchased "as is" or as refurbished products.
11. Products that have been transferred from its original owner.
12. Discoloration, rust or oxidation of surfaces resulting from caustic or corrosive environments including but not limited to high salt concentrations, high moisture or humidity or exposure to chemicals.
13. Pick-up or delivery. This product is intended for in-home repair.
14. Travel or transportation expenses for service in remote locations where an authorized Midea servicer is not available.
15. Removal or reinstallation of inaccessible appliances or built-in fixtures (i.e. trim, decorative panels, flooring, cabinetry, islands, countertops, drywall, etc.) that interfere with servicing, removal or replacement of the product.
16. Service or parts for appliances with original model/serial numbers removed, altered or not easily identified.

**The cost of repair or replacement under these excluded circumstances shall be borne by the customer.**

### DISCLAIMER OF IMPLIED WARRANTIES

IMPLIED WARRANTIES, INCLUDING ANY IMPLIED WARRANTY OF MERCHANTABILITY OR IMPLIED WARRANTY OF FITNESS FOR A PARTICULAR PURPOSE, ARE LIMITED TO ONE YEAR OR THE SHORTEST PERIOD ALLOWED BY LAW. Some states and provinces do not allow limitations on the duration of implied warranties of merchantability or fitness, so this limitation may not apply to you. This warranty gives you specific legal rights, and you also may have other rights that vary from state to state or province to province.

### DISCLAIMER OF REPRESENTATIONS OUTSIDE OF WARRANTY

Midea makes no representations about the quality, durability, or need for service or repair of this major appliance other than the representations contained in this warranty. If you want a longer or more comprehensive warranty than the limited warranty that comes with this major appliance, you should ask Midea or your retailer about buying an extended warranty.

### LIMITATION OF REMEDIES; EXCLUSION OF INCIDENTAL AND CONSEQUENTIAL DAMAGES

YOUR SOLE AND EXCLUSIVE REMEDY UNDER THIS LIMITED WARRANTY SHALL BE PRODUCT REPAIR AS PROVIDED HEREIN. MIDEA SHALL NOT BE LIABLE FOR INCIDENTAL OR CONSEQUENTIAL DAMAGES. Some states and provinces do not allow the exclusion or limitation of incidental or consequential damages, so these limitations and exclusions may not apply to you. This warranty gives you specific legal rights, and you also may have other rights that vary from state to state or province to province.



# Midea REGISTRATION INFORMATION

## PROTECT YOUR PRODUCT:

We will keep the model number and date of purchase of your new Midea product on file to help you refer to this information in the event of an insurance claim such as fire or theft.

Register online at <https://us.midea.com/product-registration>

**OR**

Please fill out and return it to the following address:

Midea America Corp. 759 Bloomfield Ave #386, West Caldwell, NJ 07006-6701

----- (detach here) -----

Name:	Model#:	Serial #:
	Card:	
Address:	Date Purchased:	Store / Dealer Name:
City:	State:	Zip:
E-mail Address:		
Area Code:	Phone Number:	Occupation:
Did you purchase an additional warranty:	As your Primary Residence:	
How did you learn about this product:	Age:	Marital Status:
<input type="checkbox"/> Advertising		
<input type="checkbox"/> In Store Demo		
<input type="checkbox"/> Personal Demo		

*Information collected or submitted to us is only available to company internal employees for purposes of contacting you or sending you emails, based on your request for information and to company service providers for purposes of providing services relating to our communications with you. All data will not be shared with other organizations for commercial purposes.*

*Please consider leaving a customer review at [www.midea.com](http://www.midea.com).*

Midea America Corp.  
 759 Bloomfield Ave, # 386  
 West Caldwell, NJ 07006-6701  
 Customer Service 866-646-4332

Made in China

V2 ENGLISH



## Manuel du propriétaire & Instructions d'installation

### Laveuses

Alimentation en électricité : 120V

Circuit: branche de 16 ampères

Fréquence : 50Hz

Capacité : 5,2 pi cu



#### Avertissement :

Avant d'utiliser ce produit, veuillez lire le présent guide avec soin et le conserver aux fins de consultation ultérieure. Le concept et les spécifications peuvent changer sans préavis à titre d'amélioration de produit. Consultez votre concessionnaire ou fabricant pour obtenir des précisions.

**NUMÉROS DE MODÈLE**  
**MLH52S7AGS**  
**MLH52S7AWW**  
[www.midea.com](http://www.midea.com)

# Aux utilisateurs

---

**MERCI et FÉLICITATIONS** de votre achat de ce produit Midea de première qualité. Votre laveuse Midea est conçue pour des performances fiables et sans problèmes. Veuillez prendre quelques instants pour enregistrer votre nouvelle laveuse.

Enregistrez votre nouvelle laveuse sur **www.midea.com** à l'onglet **Support [Soutien]**.

En vue d'une consultation ultérieure, consignez les numéros de modèle et de série de votre produit qui se trouvent sur le cadre intérieur de la laveuse.

Numéro de modèle \_\_\_\_\_

Numéro de série \_\_\_\_\_

<b>SÉCURITÉ DE LA LAVEUSE .....</b>	<b>3</b>
Installation Appropriée.....	5
Lorsque Pas En Utilisation .....	6
<b>EXIGENCES EN MATIÈRE DE FONCTIONNEMENT .....</b>	<b>6</b>
Emplacement de Votre Laveuse.....	6
Exigences Électriques.....	7
Besoins en Eau .....	8
Besoins en Drain .....	8
<b>INSTRUCTION D'INSTALLATION.....</b>	<b>9</b>
Avant Que Vous Ne Commencez .....	9
Pour Votre Sécurité : .....	9
Outils Nécessaires .....	9
Pièces Requises (Se Procurer Localement) .....	10
Pièces Fournies .....	10
Dimensions Brutes .....	10
Déballage de La Machine à Laver .....	11
Installer La Machine à Laver .....	12
<b>UTILISATION DE LA LAVEUSE .....</b>	<b>14</b>
Panneau de Contrôle .....	14
Caractéristiques .....	22
Chargement et Utilisation de La Laveuse .....	25



<b>ENTRETIEN DE LA LAVEUSE.....</b>	<b>26</b>
Nettoyage.....	26
Déménagement, Entreposage et Vacances Prolongées .....	30
<b>AVANT DE FAIRE APPEL AU SERVICE.....</b>	<b>31</b>
Codes D'erreur.....	38
<b>GARANTIE.....</b>	<b>39</b>
<b>ENREGISTREMENT DU PRODUIT.....</b>	<b>41</b>

## SÉCURITÉ DE LA LAVEUSE

VOTRE SÉCURITÉ PERSONNELLE ET CELLE DES AUTRES PERSONNES SONT D'UNE IMPORTANCE CAPITALE.

Pour éviter toutes blessures de l'utilisateur ou d'autres personnes et tous dommages matériels, il est impératif de suivre les instructions dans le présent guide. Une utilisation incorrecte de l'appareil en raison du non-respect des instructions peut causer des blessures ou des dommages, et même la mort.

Les indications suivantes illustrent le niveau de risque.



AVERTISSEMENT

Ce symbole signale la possibilité de mort ou de blessure grave.



ATTENTION

Ce symbole signale la possibilité de blessure ou de dommages matériels.



AVERTISSEMENT

Ce symbole signale la possibilité d'une tension dangereuse constituant un risque de choc électrique susceptible d'entraîner la mort ou une blessure grave.

# CONSIGNE DE SÉCURITÉ IMPORTANTES

## AVERTISSEMENT

Pour réduire les risques de mort, d'incendie, d'explosion, décharge électrique ou de blessures lors de l'utilisation de votre appareil, respectez les précautions de base y compris la suivante :

- Lisez le manuel d'instructions avant d'utiliser l'appareil.
- **NE LAVEZ PAS** ou ne séchez pas les articles préalablement imbibés d'essence, nettoyés ou lavés avec, de solvants pour nettoyage à sec ou d'autres substances inflammables ou explosives, car ils dégagent des vapeurs susceptibles de s'enflammer ou d'exploser.
- **N'AJOUTEZ PAS** d'essence, de solvants pour nettoyage à sec ou d'autres substances inflammables ou explosives à l'eau de lavage. Ces substances dégagent de la vapeur qui pourrait s'enflammer ou exploser.
- Dans certaines conditions, de l'hydrogène gazeux peut être produit dans un système d'eau chaude qui n'a pas été utilisé pendant deux semaines ou plus. L'HYDROGÈNE GAZEUX EST EXPLOSIF. Si le système d'eau chaude n'a pas été utilisé pendant deux semaines ou plus, avant d'utiliser une laveuse ou une combinaison laveuse-sècheuse, ouvrez tous les robinets d'eau chaude et laissez couler l'eau de chacun d'eux pendant plusieurs minutes. Cette technique libérera tout hydrogène gazeux accumulé. Comme le gaz est inflammable, ne fumez ni n'utilisez pas de flamme nue pendant ce processus.
- **NE LAISSEZ PAS** les enfants jouer sur ou dans l'appareil. Une surveillance étroite des enfants est nécessaire lorsque l'appareil est utilisé à proximité d'enfants.
- **NE PAS** toucher l'appareil si si le tambour ou d'autres composants bouge pour éviter un enchevêtrement accidentel.
- **N'INSTALLEZ PAS** et ne rangez pas cet appareil dans un endroit exposé aux intempéries.
- **NE PAS** dérégler les commandes, réparer ou remplacer une pièce quelconque de cet appareil ou tenter de le réparer, sauf si cela est spécifiquement recommandé dans les instructions de maintenance de l'utilisateur ou dans les instructions de réparation publiées que vous comprenez et avez les compétences d'exécuter.
- Gardez la zone autour de votre appareil propre et sèche afin de réduire les risques de glissade.

- N'essayez pas de faire fonctionner cet appareil s'il est endommagé, fonctionne mal, partiellement démonté ou si des pièces sont manquantes ou cassées, y compris un cordon ou une prise endommagés.
- Débranchez l'appareil ou éteignez le disjoncteur avant de procéder à l'entretien. Appuyer sur le bouton d'alimentation NE COUPE PAS l'alimentation.
- Voir "Spécifications électriques" dans les instructions d'installation pour les instructions de mise à la terre. Cet appareil n'est pas destiné à être utilisé par des personnes (y compris des enfants) ayant des capacités physiques, sensorielles ou mentales réduites, ou un manque d'expérience et de connaissances à moins d'être supervisées ou d'avoir reçu des instructions sur l'utilisation de l'appareil par une personne responsable de leur sécurité. Les enfants doivent être surveillés pour s'assurer qu'ils ne jouent pas avec l'appareil.
- Si le cordon d'alimentation est endommagé, il doit être remplacé par le fabricant, son agent de service ou des personnes de qualification similaire afin d'éviter tout risque.
- Les nouveaux ensembles de tuyaux achetés chez le détaillant où le produit a été acheté doivent être utilisés et les vieux tuyaux ne doivent pas être réutilisés.
- Cet appareil est destiné à une utilisation à l'intérieur uniquement.

## INSTALLATION APPROPRIÉE

- Cette laveuse doit être correctement installée et située conformément aux instructions d'installation avant son utilisation. Assurez-vous que le tuyau d'eau froide est raccordé à la vanne "C".
- Installez-le ou rangez-le à un endroit où il ne sera pas exposé à des températures inférieures au gel ou aux intempéries, ce qui pourrait causer des dommages permanents et annuler la garantie. Mettre la machine à laver à terre conformément à tous les codes et ordonnances en vigueur. Suivez les détails dans les instructions d'installation.

### AVERTISSEMENT



#### Risque de choc électrique

- Brancher sur une prise à 3 alvéoles reliée à la terre.
- NE PAS enlever la broche de liaison à la terre.
- NE PAS utiliser un adaptateur.
- NE PAS utiliser un câble de rallonge.
- Le non-respect de cette instruction pourrait causer un décès, un incendie ou un choc électrique.

## LORSQUE PAS EN UTILISATION

Éteignez les robinets d'eau pour minimiser les fuites en cas de cassure ou de rupture. Vérifiez l'état des tuyaux de remplissage; nous recommandons de changer les tuyaux tous les 5 ans.

### Avertissement - Proposition 65 de l'État de Californie:



**AVERTISSEMENT :** Cancer et effets nocifs sur la reproduction  
-[www.P65Warnings.ca.gov](http://www.P65Warnings.ca.gov).

## CONSERVER CES INSTRUCTIONS

CET APPAREIL EST UNIQUEMENT DESTINÉ À  
UN USAGE DOMESTIQUE

## EXIGENCES EN MATIÈRE DE FONCTIONNEMENT

### EMPLACEMENT DE VOTRE LAVEUSE

#### NE PAS INSTALLER LA LAVEUSE :

1. Dans une zone exposée aux gouttes d'eau ou aux conditions météorologiques extérieures. La température ambiante ne doit jamais être inférieure à 15 °C (60 °F) pour un bon fonctionnement de la laveuse.
2. Dans une zone où il entrera en contact avec des rideaux.
3. Sur tapis. Le sol DOIT être une surface dure avec une pente maximale de 1,27 cm par 30 cm (½ po par pi). Pour vous assurer que la laveuse ne vibre ni ne bouge, vous devrez peut-être renforcer le sol.

**REMARQUE :** Si le sol est en mauvais état, utiliser une feuille de contreplaqué imprégnée de ¾ po solidement fixée au revêtement de sol existant.

#### IMPORTANT : ESPACE MINIMAL REQUIS POUR L'INSTALLATION

- En cas d'installation dans une alcôve : Côtés, arrière, haut = 0 po (0 cm)
- En cas d'installation dans un placard : Côtés, arrière, haut = 0 po (0 cm), avant = 1 po (2,54 cm)
- Ouvertures de ventilation requises : 2 persiennes de 387 cm chacune, situées à 3 po (7,6 cm) du haut et du bas de la porte

# EXIGENCES ÉLECTRIQUES

Lisez ces instructions complètement et soigneusement.

## AVERTISSEMENT :

**POUR RÉDUIRE LES RISQUES D'INCENDIE, DE DÉCHARGES ÉLECTRIQUES ET DE DOMMAGES CORPORELS :**

- **NE PAS UTILISER DE CORDON PROLONGATEUR OU DE FICHE D'ADAPTATEUR AVEC CET APPAREIL. La laveuse doit être mise à la terre conformément aux codes et ordonnances locaux.**

**CIRCUIT** - Un circuit de dérivation de 16 ampères, correctement polarisé et mis à la terre, avec fusible ou fusible à retard de 16 ampères.

**ALIMENTATION** - 2 fils avec terre, 120 V, monophasé, 50 Hz, courant alternatif.

**RÉCEPTACLE DE SORTIE** - Prise correctement mise à la terre située de sorte que le cordon d'alimentation soit accessible lorsque la laveuse est en position installée.

## EXIGENCES DE MISE À LA TERRE

Une mauvaise connexion du conducteur de mise à la terre de l'équipement peut entraîner un risque de choc électrique. Consultez un électricien agréé si vous avez des doutes sur le fait que l'appareil est correctement mis à la terre.

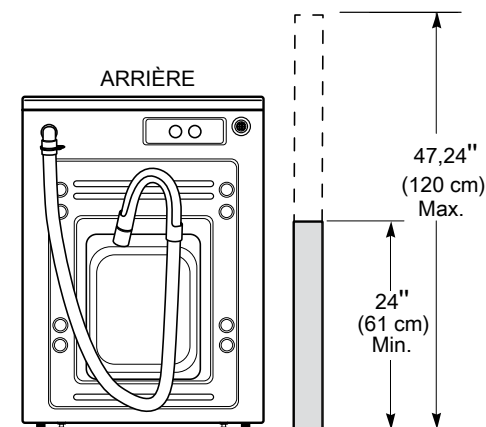
1. La laveuse **DOIT** être mise à la terre. En cas de dysfonctionnement ou de panne, la mise à la terre réduira le risque de choc électrique en fournissant un chemin de moindre résistance pour le courant électrique.
2. Étant donné que votre laveuse est équipée d'un cordon d'alimentation comportant un conducteur de mise à la terre et une fiche de mise à la terre, cette fiche **DOIT** être branchée sur une prise appropriée munie de fils de cuivre correctement installée et mise à la terre conformément à tous les codes locaux. En cas de doute, appelez un électricien agréé. **NE PAS** couper ou modifier la broche de mise à la terre du cordon d'alimentation. Dans les cas où une prise à deux emplacements est présente, le propriétaire est responsable de le faire remplacer par un électricien agréé par une **prise correctement mise à la terre.**

## BESOINS EN EAU

Le robinet d'eau froide DOIT être installé à moins de 107 cm (42 po) de l'arrivée d'eau de votre laveuse. Le robinet DOIT être de type tuyau d'arrosage de 1,9 cm (¾ po) pour pouvoir raccorder le tuyau d'arrivée. La pression de l'eau DOIT être comprise entre 10 et 120 livres par pouce carré. Votre service des eaux peut vous conseiller sur la pression de votre eau.

## BESOINS EN DRAIN

1. Drain capable d'éliminer 64,3 L par minute.
2. Un diamètre minimum de 3,18 cm (1¼ po).
3. La hauteur de la colonne montante au-dessus du sol doit être :  
Hauteur minimale : 24 po (61 cm)  
Hauteur maximale : 47,24 po (120 cm)



# INSTRUCTION D'INSTALLATION

## AVANT QUE VOUS NE COMMENCEZ

Lisez ces instructions complètement et soigneusement.

- **IMPORTANT** - Conservez ces instructions à l'usage de l'inspecteur local.
- **IMPORTANT** - Respectez tous les codes et règlements en vigueur.
- **Remarque concernant l'installation** - veillez à laisser ces instructions au consommateur.
- **Remarque au consommateur** - Conservez ces instructions pour référence ultérieure.
- **Niveau de compétence** - L'installation de cet appareil nécessite des compétences de base en mécanique et en électricité.
- **Temps d'achèvement** - 1-3 heures
- L'installation est la responsabilité de l'installateur.
- Une défaillance du produit due à une installation incorrecte n'est pas couverte par la garantie.

## POUR VOTRE SÉCURITÉ :

### AVERTISSEMENT :

- Cet appareil doit être correctement mis à la terre et installé comme décrit dans ces instructions d'installation.
- N'installez pas ou ne rangez pas l'appareil dans un endroit où il sera exposé à l'eau/aux intempéries. Voir la section Emplacement de votre lave-linge.
- **REMARQUE** : Cet appareil doit être correctement mis à la terre et alimenté en électricité par la laveuse.

## OUTILS NÉCESSAIRES

- Clé à molette ou douille ½ po avec cliquet
- Clé à molette ou clé à fourche de ⅝ po
- Pince réglable à blocage de canal
- Niveau de charpentier

## PIECES REQUISES (SE PROCURER LOCALEMENT)

Tuyau d'eau (2)

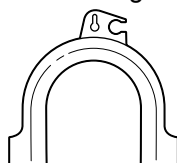


## PIÈCES FOURNIES

Attache de câble



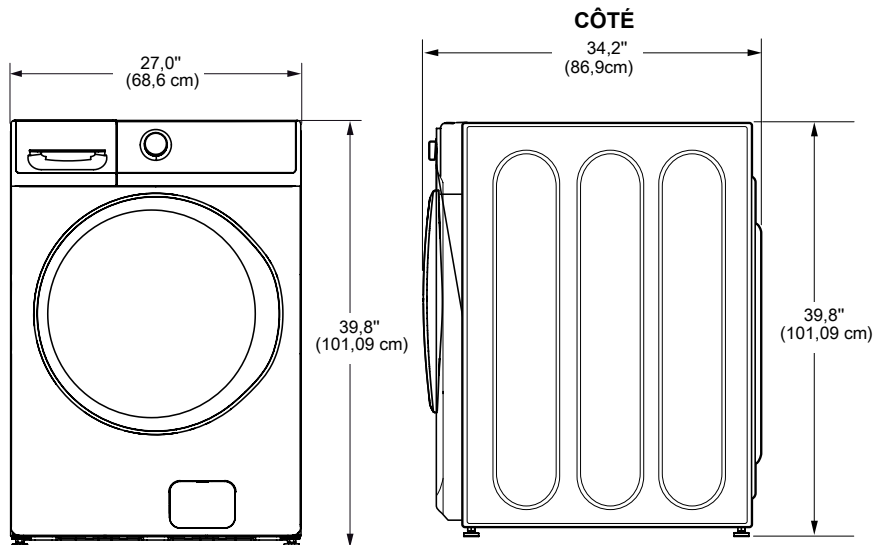
Guide de tuyau de vantage



Machine à laver filtrante d'admission (2)



## DIMENSIONS BRUTES



**\*REMARQUE :** Avec piédestal, 52,6 po  
Empilés, 84 po



# DÉBALLAGE DE LA MACHINE À LAVER

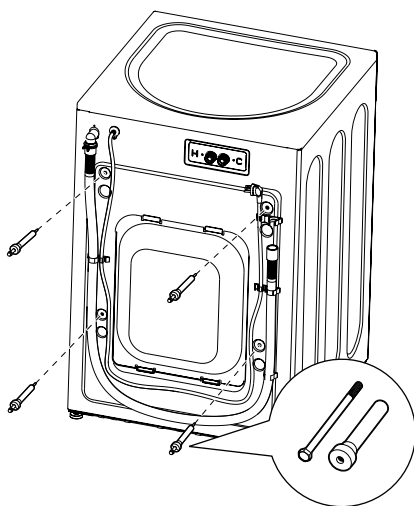
## ! AVERTISSEMENT :

- Recycler ou détruire le carton et les sacs en plastique après le déballage de la laveuse. Rendre le matériel inaccessible aux enfants. Les enfants pourraient les utiliser pour jouer. Les cartons recouverts de tapis, de couvre-lits ou de feuilles de plastique peuvent devenir des chambres hermétiques et provoquer la suffocation.

1. Coupez et retirez les courroies d'emballage supérieure et inférieure.
2. Pendant qu'il est dans le carton, posez soigneusement la laveuse sur le côté. NE PAS poser la rondelle à l'avant ou à l'arrière.
3. Abaissez les rabats inférieurs et retirez tous les emballages de la base, y compris le carton, la base en polystyrène et le support du bac en polystyrène (insérés au centre de la base).

**REMARQUE :** Si vous installez un socle, suivez les instructions d'installation fournies avec le socle.

4. Remettez soigneusement la laveuse en position verticale et retirez le carton.
5. Déplacez soigneusement la laveuse à moins de 122 cm (4 pieds) de l'emplacement final.
6. Retirez ce qui suit de l'arrière de la laveuse:
  - 4 boulons
  - 4 entretoises en plastique (y compris des œillets en caoutchouc)
  - 4 cordons de retenue



**REMARQUE :** Si vous ne retirez pas les boulons d'expédition\*, la rondelle peut être gravement déséquilibrée.

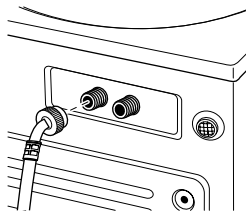
**Conservez tous les boulons pour une utilisation future.**

\* Les dommages résultant du non-retrait des boulons d'expédition ne sont pas couverts par la garantie.

**REMARQUE :** Si vous devez transporter la laveuse à une date ultérieure, vous devez réinstaller le matériel d'assistance à l'expédition pour éviter les dommages d'expédition. Gardez le matériel dans le sac en plastique fourni.

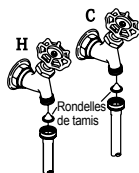
## INSTALLER LA MACHINE À LAVER

1. Faites couler de l'eau du robinet d'eau froide pour rincer les canalisations d'eau et éliminer les particules qui pourraient obstruer le tuyau d'arrivée d'eau.
2. Assurez-vous qu'il y a une rondelle en caoutchouc dans les tuyaux. Réinstallez la rondelle en caoutchouc dans le raccord de tuyau si elle est tombée pendant le transport. Raccordez soigneusement le tuyau d'arrivée marqué HOT à la sortie "H" extérieure de la vanne d'eau. Serrer à la main; puis serrez un autre tour de  $\frac{3}{4}$  avec une pince. Branchez soigneusement l'autre tuyau d'arrivée à la sortie "C" intérieure de la vanne d'eau. Serrer à la main; puis serrez un autre tour de  $\frac{3}{4}$  avec une pince.



**Ne pas crocheter ni serrer ces connexions.**

3. Installez les rondelles de tamis en les insérant dans les extrémités libres des tuyaux d'admission avec le côté saillant faisant face au robinet.
4. Raccordez les extrémités du tuyau d'arrivée aux robinets d'eau H (CHAUD) et C (FROID) à la main, puis serrez un autre tour de  $\frac{3}{4}$  avec une pince. Allumez l'eau et vérifiez s'il y a des fuites.



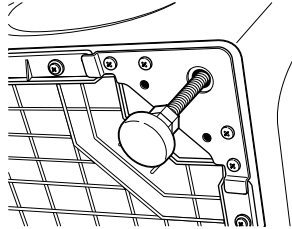
5. Déplacez soigneusement la laveuse à son emplacement final. Basculez doucement la laveuse en position en veillant à ne pas plier les tuyaux d'arrivée. Il est important de ne pas endommager les pieds de nivellement en caoutchouc lors du déplacement de votre laveuse à son emplacement final. Les pieds endommagés peuvent augmenter les vibrations de la laveuse. Il peut être utile de vaporiser du nettoyant pour vitres sur le sol pour aider à placer votre laveuse dans sa position finale.

**REMARQUE :** Pour réduire les vibrations, assurez-vous que les quatre pieds de nivellement en caoutchouc touchent fermement le sol. Poussez et tirez sur l'arrière droit puis sur l'arrière gauche de votre laveuse.

**REMARQUE :** N'utilisez pas le tiroir distributeur ni la porte pour soulever la laveuse.

**REMARQUE :** Si vous installez dans un bac de récupération, vous pouvez utiliser un 2x4 long de 24 pouces pour mettre la laveuse en place.

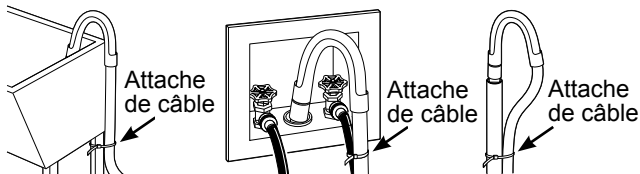
6. Avec la laveuse dans sa position finale, placez un niveau au-dessus de la laveuse (si la laveuse est installée sous un comptoir, la laveuse ne devrait pas pouvoir basculer). Ajustez les pieds de nivellement avant vers le haut ou le bas pour vous assurer que la laveuse repose bien. Tournez les écrous de blocage de chaque pied vers la base de la machine et bloquez-les avec une clé.



**REMARQUE :** Prenez l'extension des pieds au minimum pour éviter les vibrations excessives. Plus les pieds sont écartés, plus la laveuse vibre.

Si le sol n'est pas de niveau ou s'il est endommagé, vous devrez peut-être allonger les pieds de nivellement arrière.

7. Fixez le guide de tuyau en forme d'U à l'extrémité du tuyau de vidange. Placez le tuyau dans un bac à linge ou une colonne montante et fixez-le avec l'attache-câble fourni dans l'emballage.



**REMARQUE :** Placer le tuyau de vidange trop loin dans le tuyau de vidange peut provoquer une action de siphonnage. Pas plus de 7 pouces (17,78 cm) de tuyau ne doivent être dans le tuyau de drainage. Il doit y avoir un espace d'air autour du tuyau de vidange. Un bon ajustement peut également provoquer une action de siphonnage.

8. Branchez le cordon d'alimentation dans une prise mise à la terre.

**REMARQUE :** Vérifiez que l'alimentation est coupée au niveau du disjoncteur/de la boîte à fusibles avant de brancher le cordon d'alimentation dans une prise.

9. Mettez le disjoncteur/boîte à fusibles sous tension.
10. Lisez le reste de ce mode d'emploi. Il contient des informations précieuses et utiles qui vous feront économiser temps et argent.

**11. Avant de démarrer la laveuse, assurez-vous que :**

- L'alimentation principale est allumée.
- La laveuse est branchée.
- Les robinets d'eau sont allumés.
- L'unité est de niveau et les quatre pieds de nivellement sont fermement au sol.
- Le matériel de support d'expédition est supprimé et enregistré.
- Le tuyau de vidange est correctement attaché.

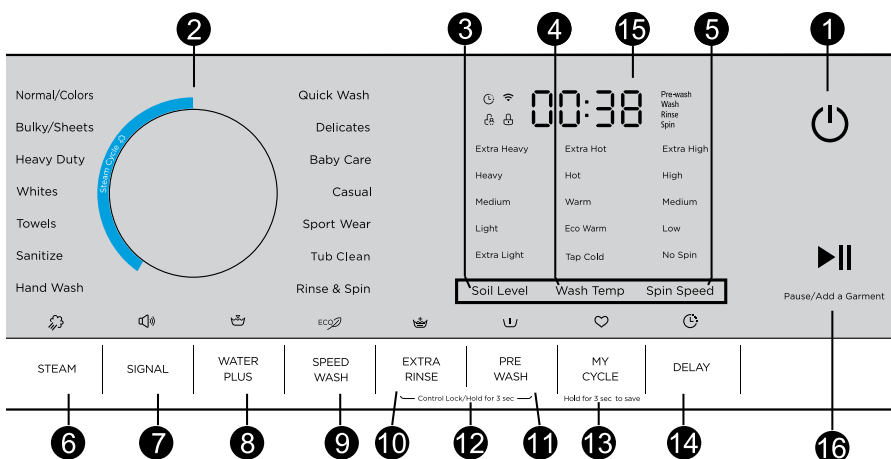
**12.** Exécutez la laveuse à travers un cycle complet.

**13.** Si votre lave-linge ne fonctionne pas, veuillez consulter la section Avant d'appeler pour réparation avant d'appeler le service après-vente.

**14.** Placez ces instructions à un endroit proche de la laveuse pour référence future.

## UTILISATION DE LA LAVEUSE

### PANNEAU DE CONTRÔLE



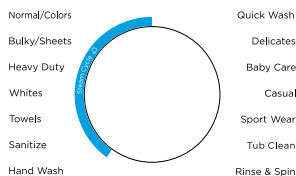
## DÉMARRAGE RAPIDE

1 Appuyez sur le bouton d'alimentation.

Si l'écran est sombre, une pression sur le bouton d'alimentation "réveillera" l'affichage.



2 Sélectionnez un cycle de lavage. (Les valeurs par défaut sont définies pour chaque cycle. Ces paramètres par défaut peuvent être modifiés. Voir Paramètres de commande pour plus d'informations.)



3 Appuyez sur le bouton Démarrer. (Start)/Pause.



## RÉGLAGE DE COMMANDE

1 **Alimentation (Power)**

Appuyez la dessus pour "réveiller" l'affichage. Si l'affichage est actif, appuyez encore pour mettre la laveuse en mode veille.

**REMARQUE :** Appuyer sur Power ne déconnecte pas l'appareil de l'alimentation électrique.

2 **Cycles de lavage**

The wash cycles are optimized for specific types of wash loads. The chart below will help you match the setting with the loads.

Normal/Colors (Normales/ Couleurs)*	Pour les cotons grand-teint, le linge de maison, les vêtements de travail et de loisirs très à légèrement salis. <b>REMARQUE :</b> Ceci est le cycle le plus commun.
Bulky/Sheets (Volumineux/ Draps)*	Pour les gros articles comme les couettes, les couvertures, les petits tapis et autres articles similaires.
Heavy Duty (Lourds/gros)*	Laver les vêtements gros et lourds, tels que les par dessus ou les serviettes.
Whites (Blanc)*	Pour le linge blanc très sale, les habits de travail et les vêtements de jeu.
Towels (Les serviettes)*	Pour les articles tels que les serviettes, les draps, les taies d'oreiller et les torchons.
Sanitize (Désinfecter)*	Pour augmenter la température de l'eau, ce qui désinfectera et tuerait plus de 99,9 % des nombreuses bactéries communes trouvées dans la lessive domestique. Pour de meilleurs résultats, sélectionnez le paramètre très sale lorsque vous utilisez le cycle Sanitize.

Hand Wash/ Wool (Lavage à la main/laine)*	Programme de lavage particulièrement doux pour la laine ou les tissus lavés à la main
Quick Wash (Lavage rapide)	Pour les articles légèrement sales nécessaires rapidement. La durée du cycle est d'environ 50 minutes, en fonction des options sélectionnées.
Delicate (Délicat)	Pour les textiles délicats et lavables, par exemple en soie, satin, fibres synthétiques ou tissus mélangés.
Baby Care (Soins bébé)	Le fait de laver les vêtements du bébé rendre le linge plus propre et améliore les performances du rinçage afin de protéger la peau de bébé.
Casual (Décontractée)	Charge mixte composée de textiles en coton et en matières synthétiques.
Sport Wear (Vêtement de sport)	Laver les vêtements de sport.
Tub Clean (Panier propre)	Utilisez pour nettoyer le panier de résidus et d'odeurs. Utilisation recommandée d'au moins une fois par mois. <b>REMARQUE :</b> Ne chargez jamais de linge blanc avec Tub Clean. Le linge peut être endommagé Voir la section Entretien et nettoyage.
Rinse & Spin (Rinçage et essorage)	Pour rincer rapidement et essorer tous les articles à tout moment. Pour obtenir un drain + essorage, désélectionnez l'option Extra Rinse (Extra rinçage).

### 3 SoilLevel (Niveau de saleté)

Modifiez le niveau de **saleté** pour augmenter ou diminuer le temps de lavage afin d'éliminer différentes quantités de saleté.

Pour modifier le niveau de **saleté**, appuyez sur le bouton Niveau de **saleté** jusqu'à atteindre le réglage souhaité. Vous pouvez choisir entre des niveaux de saleté très léger, moyen, lourd et très lourd.

- 4 WashTemp (Température de lavage)**
- Ajustez pour sélectionner la température d'eau principale appropriée pour le cycle de lavage. L'eau de rinçage PreWash (prélavage) est toujours froide pour aider à réduire la consommation d'énergie et le réglage des taches et des habits froisser.
- Suivez l'étiquette d'entretien du fabricant du tissu lors du choix de la température de lavage.

Pour changer la température de lavage, appuyez sur le bouton wash Temp (Température de lavage) jusqu'à ce que vous ayez atteint le réglage souhaité. Vous pouvez choisir entre Tap Cold, Eco Warm, Warm, Hot ou Extra Hot.

De par leur conception, pour protéger les tissus, toutes les températures de lavage ne sont pas disponibles pour certains cycles de lavage.

- 5 SpinSpeed (Vitesse d'essorage)**
- Changer la vitesse **d'essorage** modifie la vitesse **d'essorage** finale des cycles. Suivez toujours l'étiquette d'entretien du fabricant du vêtement lorsque vous modifiez la vitesse d'essorage.

Pour changer la vitesse **d'essorage**, appuyez sur le bouton **Essorage** jusqu'à atteindre le réglage souhaité. Vous pouvez choisir entre aucune rotation, basse, moyenne, haute ou très haute. Des vitesses d'essorage plus élevées ne sont pas disponibles sur certains cycles, tels que Délicats. Des vitesses d'essorage plus élevées éliminent plus d'eau des vêtements et contribueront à réduire le temps de séchage, mais peuvent également augmenter la possibilité de faire des plis sur certains tissus.

- 6 Steam (Vapeur)**
- La **vapeur** ajoute de la vapeur dans la laveuse pour aider à déloger les taches sur les cycles Normal/Colors, Bulky/Sheets, Heavy Duty, Whites, Towels, Sanitize ou Hand Wash cycle.

Utiliser :

1. Mettez l'appareil sous tension et sélectionnez un cycle de lavage.
2. Sélectionnez le bouton la **vapeur** pour activer la vapeur.
3. Appuyez sur le bouton Start/Pause.

- 7 Signal**
- Utilisez la touche **Signal** pour modifier le volume du signal de fin de cycle.

Appuyez sur la touche jusqu'à atteindre le volume souhaité.

## 8 Water-Plus (Eau-plus)

Augmentez le niveau d'eau du lavage principal.

Utiliser :

1. Mettez l'appareil sous tension et sélectionnez un cycle de lavage.
2. Sélectionnez le bouton Add **Water-Plus** pour activer water plus.
3. Appuyez sur le bouton Start/Pause.

## 9 Speed Wash (Lavage rapide)

Cette option réduit la durée totale du cycle de la machine à laver en optimisant les actions de lavage, de rinçage et d'essorage et/ou en augmentant doucement la température de lavage pour nettoyer les vêtements plus rapidement. L'option est disponible sur les cycles Nomal, Blancs, Serviettes/ Draps, Délicats, Articles volumineux et Vêtements de sport. La durée totale du lavage varie en fonction du programme choisi et des options sélectionnées.

Utiliser :

1. Mettez l'appareil sous tension et sélectionnez un cycle de lavage pour lequel Time Saver (Gagner du temps) est une option.
2. Effectuez les ajustements nécessaires sur Soil, Temp et Spin.
3. Appuyez sur le bouton Time Saver pour réduire le temps de lavage global.
4. Appuyez sur le bouton Départ/Pause.

## 10 Extra Rinse (Rinçage supplémentaire)

Cette option permet un **rinçage supplémentaire** pendant un cycle pour éliminer l'excès de saleté et de détergent des charges sales.

Un cycle de vidange et d'essorage peut être obtenu en appuyant sur le bouton **Extra Rinse (rinçage supplémentaire)** jusqu'à ce que le voyant ne soit plus allumé.



## 11 Pre-Wash (Pré lavage)

Le **pré lavage** est un lavage supplémentaire avant le lavage principal. Utilisez-le pour les vêtements très sales ou pour les vêtements portant une étiquette d'entretien qui recommande le **pré lavage** avant le lavage. Assurez-vous d'ajouter du détergent liquide ou en poudre à haute efficacité ou l'additif de lavage approprié au distributeur de pré lavage.

PreWash doit être sélectionné avant d'appuyer sur Start. La fonction de **pré lavage** remplit la laveuse avec de l'eau froide (en ajoutant le détergent de **pré lavage**), fait culbuter les vêtements, les égoutte et essore. Ensuite, la laveuse exécute le cycle de lavage sélectionné.

## 12 Extra Rinse and Pre Wash

Control Lock/Hold for 3 sec

### (Extra Rinçage et Pré lavage)

Vous pouvez verrouiller les contrôles pour empêcher toute sélection. Vous pouvez également verrouiller ou déverrouiller les contrôles après le début d'un cycle.

Les enfants ne peuvent pas démarrer accidentellement la laveuse en touchant des boutons avec cette.

Pour verrouiller la laveuse, maintenez enfoncés les boutons **Extra Rinçage et Pré lavage** pendant 3 secondes.

Pour déverrouiller les commandes de la laveuse, maintenez enfoncés les boutons **Extra Rinçage et Pré lavage** pendant 3 secondes.

**REMARQUE:** Le bouton **d'alimentation** peut toujours être utilisé lorsque la machine est verrouillée.

### 13 My Cycle (Mon cycle)

Pour enregistrer un cycle favori, définissez le paramètre souhaité pour les paramètres de cycle de lavage, de niveau de saleté, de vitesse d'essorage et de température de lavage, puis maintenez le bouton My Cycle enfoncé pendant 3 secondes. Un bip retentira pour indiquer que le programme a été enregistré.

Pour utiliser votre cycle personnalisé, appuyez sur le bouton **My Cycle** avant de laver une charge.

Pour modifier le cycle enregistré, définissez le réglage souhaité et maintenez le bouton **My Cycle** enfoncé pendant 3 secondes.

**REMARQUE :** Lors de l'utilisation de **My Cycle**, les options de lavage ne peuvent pas être modifiées après le démarrage du cycle.

**REMARQUE :** Si vous modifiez les options de lavage avec **My Cycle** avant de commencer le cycle, le voyant **My Cycle** s'éteindra et vous retournerez au cycle de base.

### 14 Delay (Retard)

Vous pouvez retarder le démarrage d'un cycle de lavage jusqu'à 24 heures. Appuyez sur le bouton **Delay Wash** (Délai de lavage) pour choisir la durée pendant laquelle vous souhaitez différer le début du cycle de lavage. Une fois que l'heure souhaitée est atteinte, appuyez sur le bouton Démarrer. La machine compte à rebours et démarre automatiquement au bon moment.

**REMARQUE :** Si vous oubliez de fermer complètement la porte, un signal de rappel vous avertira de le faire.

**REMARQUE :** Si vous ouvrez la porte lorsque le délai est décompté, la machine passera en état de pause. Vous devez fermer la porte et appuyer à nouveau sur Start pour relancer le compte à rebours.

## 15 Display (Afficher)

Affiche le temps approximatif restant jusqu'à la fin du cycle.

**REMARQUE :** Le temps de cycle est affecté par la pression de l'eau dans votre maison et par l'équilibre de la charge dans la laveuse. Vous constaterez peut-être que le temps restant à l'écran augmente pour permettre une vitesse d'essorage plus lente afin de gérer des charges non équilibrées.



L'état du cycle est également affiché et certaines fonctions, telles que le lavage différé ou la vapeur, indiquent qu'elles ont été sélectionnées.

### A Afficher :

Wash Time	Delay Time
1:25	2h
Speed	Error
100	E30
End	Temp
End	30


### B Wi-Fi (sur certains modèles)

### C Reste-Retard

### D Verrouillage de contrôle

### E Verrou

## 16 Pause/Add a Garment (Ajouter un vêtement)

Appuyez sur  pour démarrer un cycle de lavage. Si la laveuse est en marche, appuyez une fois dessus pour la mettre en pause. Appuyez à nouveau pour redémarrer le cycle de lavage.

Si vous souhaitez ajouter un vêtement, maintenez la touche Marche / Pause. La laveuse ouvrira la porte. Appuyez à nouveau pour redémarrer le cycle.

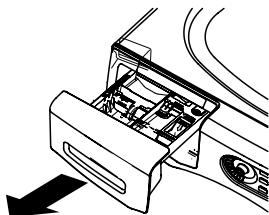
**REMARQUE:** Dans certains cycles, la laveuse se vide d'abord, puis déverrouille la porte lorsqu'elle est en pause.

**REMARQUE:** La laveuse effectue des vérifications automatiques du système après avoir appuyé sur le bouton de **démarrage**. L'eau s'écoulera en 45 secondes ou moins. Vous pouvez entendre le verrouillage de la porte avant que l'eau ne s'écoule, ce qui est normal.

# CARACTÉRISTIQUES

## LE TIROIR DISTRIBUTEUR

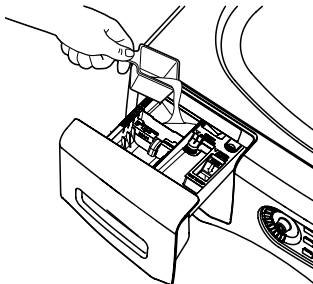
Ouvrez lentement le tiroir distributeur en le tirant jusqu'à ce qu'il s'arrête. Après avoir ajouté des produits de lessive, fermez lentement le tiroir distributeur. Si vous fermez le tiroir trop rapidement, l'agent de blanchiment, l'assouplissant ou le détergent sera distribué plus tôt.



Vous verrez peut-être de l'eau dans le tiroir distributeur à la fin du cycle. Cela résulte de l'action de rinçage/siphonnage et fait partie du fonctionnement normal de la laveuse.

### Le compartiment de prélavage

- Utilisez le compartiment de prélavage uniquement si vous sélectionnez le cycle de prélavage pour les vêtements très sales. Ajoutez le détergent mesuré ou l'additif de prélavage dans le compartiment de prélavage arrière gauche du tiroir distributeur.



- Le détergent ou l'additif de prélavage est évacué du distributeur dans le cycle de prélavage (si sélectionné).

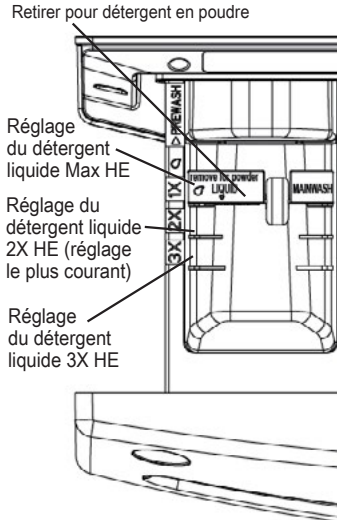
**REMARQUE :** Le détergent liquide s'écoulera dans le tambour de la laveuse à mesure qu'il est ajouté.

- Il peut être nécessaire d'ajuster l'utilisation de détergent en fonction de la température, de la dureté, de la taille et du niveau de saleté de la charge. Évitez d'utiliser trop de détergent dans votre laveuse, car cela pourrait entraîner une formation excessive de mousse et de résidus de détergent sur les vêtements.

## Le compartiment à détergent



- **Un détergent à haute efficacité est requis pour cette laveuse. Utilisez la quantité recommandée par le fabricant du détergent.**
- Ajoutez le détergent mesuré dans le compartiment à lessive avant gauche du tiroir distributeur.

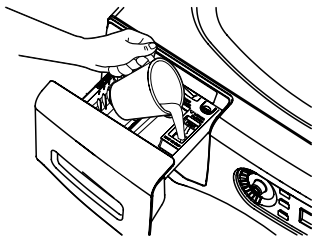


- Le détergent est évacué du distributeur au début du cycle de lavage. Un détergent en poudre ou liquide peut être utilisé.
- Détergent en poudre - Enlevez l'insert de sélection du détergent et placez-le dans un endroit sûr à l'extérieur de la laveuse. Suivez les instructions du fabricant du détergent lors de la mesure de la quantité de poudre à utiliser.
- Il peut être nécessaire d'ajuster l'utilisation de détergent en fonction de la température, de la dureté, de la taille et du niveau de saleté de la charge. Évitez d'utiliser trop de détergent dans votre lave-linge, car cela pourrait entraîner une sursaturation et laisser des résidus de détergent sur les vêtements.
- L'utilisation de plus de détergent que la quantité recommandée peut causer une accumulation de résidus sur votre laveuse.
- Détergent liquide -Localisez la concentration de votre détergent sur le flacon. Placez l'insert de sélection de détergent à l'emplacement correspondant en fonction de la concentration.

## Le compartiment d'assouplissant

**IMPORTANT :** Assurez-vous d'identifier le bon compartiment pour l'eau de Javel avant de l'utiliser.

Si vous le souhaitez, mesurez la quantité recommandée d'eau de Javel, sans dépasser  $\frac{1}{3}$  tasse (80 ml), et versez dans le compartiment de droite, intitulé "LIQUID BLEACH".



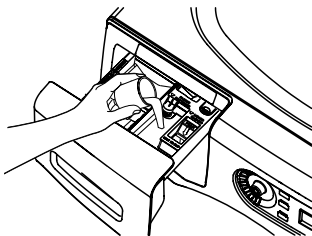
Ne dépassez pas la ligne de remplissage maximum. Un remplissage excessif peut entraîner la distribution précoce de l'eau de Javel, ce qui peut endommager les vêtements.

**REMARQUE :** N'utilisez pas de poudre à blanchir dans le distributeur.

## Le compartiment d'assouplissant

**IMPORTANT :** Assurez-vous d'identifier le bon compartiment pour l'assouplissant avant de l'utiliser.

Si vous le souhaitez, versez la quantité recommandée d'assouplissant liquide dans le compartiment étiqueté "FABRIC SOFTENER (ADOUICISSEUR DE TISSU)".



Utilisez uniquement un assouplissant liquide dans le distributeur.

Diluer avec de l'eau jusqu'à la ligne de remplissage maximum.

Ne dépassez pas la ligne de remplissage maximum. Un remplissage excessif peut entraîner une distribution précoce de l'assouplissant, susceptible de tacher les vêtements.

**REMARQUE :** Ne versez pas d'assouplissant directement sur la charge de lavage.

# CHARGEMENT ET UTILISATION DE LA LAVEUSE

**Suivez toujours l'étiquette d'entretien du fabricant du tissu lors du lavage.**

## TRI DES CHARGES DE LAVAGE

Triez le linge en charges pouvant être lavées ensemble.

COULEUR	CHARGE	TISSU	CHARPIE
Blanc	Lourd	Délicat	Produit de la charpie
Clair	Normal	Entretien facile	Emmagasine la charpie
Foncé	Léger	Coton robuste	

- Combinez gros et petits articles dans une charge. Chargez les gros articles en premier. Les gros articles ne doivent pas dépasser la moitié de la charge de lavage totale.
- Le lavage d'articles individuels n'est pas recommandé. Cela peut provoquer un déséquilibre de la charge. Ajoutez un ou deux éléments similaires.
- Les oreillers et les couettes ne doivent pas être mélangés avec d'autres articles. Cela peut entraîner une charge déséquilibrée.

### AVERTISSEMENT



#### Risque d'incendie

- Ne jamais mettre des articles humectés d'essence ou d'autres fluides inflammables dans la laveuse.
- Aucune laveuse ne peut complètement enlever l'huile.
- Ne pas faire sécher des articles qui ont été salis par tout genre d'huile (y compris les huiles de cuisson).
- Le non-respect de ces instructions peut causer un décès, une explosion ou un incendie.

## PRÉPARATION DES VÊTEMENTS

### Pour éviter les accrochages lors du lavage :

Suivez ces étapes pour maximiser l'entretien des vêtements.

- Fermez les fermetures à glissière, boutons-pression et crochets du vêtement.
- Réparez les coutures, les ourlets, les déchirures.
- Videz tous les objets des poches.
- Retirez les accessoires de vêtement non lavables tels que les ornements et les matériaux de finition non lavables.
- Pour éviter les enchevêtrements, nouez les ficelles, les liens et les matières en forme de ceinture.

- Enlevez la poussière et la charpie en surface.
- Lavez rapidement les vêtements mouillés ou tachés pour optimiser les résultats.
- Utilisez des sacs à vêtements en nylon pour laver les petits objets.
- Laver plusieurs vêtements à la fois pour de meilleurs résultats.

## CHARGEMENT DE LA LAVEUSE

Le tambour de lavage peut être complètement chargé avec des articles ajoutés de manière lâche. Ne lavez pas de tissus contenant des matières inflammables (cires, liquides de nettoyage, etc.).

Pour ajouter des articles après le démarrage de la laveuse, appuyez sur Démarrer et attendez que la porte se déverrouille. La laveuse peut avoir besoin de 30 secondes pour déverrouiller la porte après avoir appuyé sur Start, en fonction des conditions de la machine. N'essayez pas de forcer la porte lorsqu'elle est verrouillée. Après que la porte se déverrouille, ouvrez doucement. Ajoutez des éléments, fermez la porte et appuyez sur Start pour redémarrer.

## ENTRETIEN DE LA LAVEUSE

### NETTOYAGE

#### EXTÉRIEUR

Essuyez immédiatement tout déversement. Essuyer avec un chiffon humide. Ne frappez pas la surface avec des objets pointus.

#### INTÉRIEUR

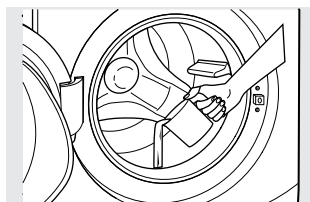
Pour nettoyer l'intérieur de la laveuse, sélectionnez la fonction Tub Clean (Nettoyer le panier) sur le panneau de commande. Ce cycle de nettoyage du panier doit être effectué au minimum une fois par mois. Ce cycle utilisera plus d'eau, en plus de l'eau de Javel, pour contrôler la vitesse à laquelle les saletés et les détergents peuvent s'accumuler dans votre laveuse.

**REMARQUE :** Lisez les instructions ci-dessous complètement avant de commencer le cycle de nettoyage du panier.

1. Retirez tout vêtement ou objet de la laveuse et assurez-vous que le panier est vide.



- Ouvrez la porte de la laveuse et versez une tasse ou 250 ml d'agent de blanchiment liquide ou un autre nettoyant pour machine à laver dans le panier.



- Fermez la porte et sélectionnez le cycle de nettoyage du panier. Appuyez sur la touche Start.
- Lorsque le cycle de nettoyage du panier fonctionne, l'écran affiche le temps de cycle estimé restant. Le cycle s'achèvera dans environ 90 minutes. N'interrompez pas le cycle.
- Une fois le cycle terminé, laissez la porte légèrement ouverte pour une meilleure ventilation.

Si pour une raison quelconque le cycle doit être interrompu, la porte ne s'ouvrira pas immédiatement. Forcer la porte à ce stade peut provoquer l'inondation. La porte s'ouvrira une fois que l'eau aura été drainée à un niveau tel qu'elle ne risque pas d'inonder le sol.

Le nettoyage du panier peut être interrompu en appuyant sur la touche Start entre les cycles. Une panne de courant dans la maison peut également interrompre le cycle. Lorsque l'alimentation est rétablie, le cycle de nettoyage du panier reprend là où il s'était arrêté. En cas d'interruption, veillez à exécuter un cycle complet de nettoyage du panier avant d'utiliser la laveuse. Si vous appuyez sur la touche de puissance pendant le nettoyage du panier, le cycle sera perdu.

#### **IMPORTANT :**

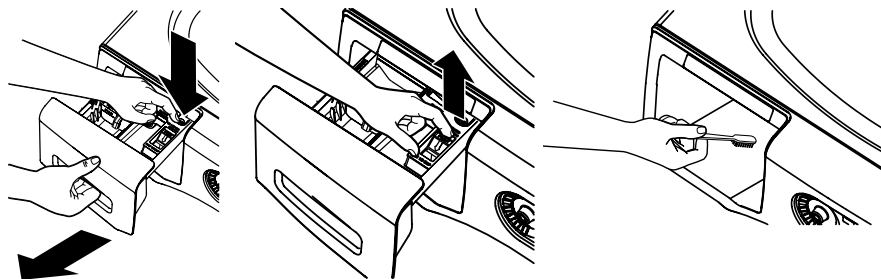
- Exécutez Tub Clean avec 1 tasse (250 ml) d'eau de Javel une fois par mois.
- Une fois le cycle de nettoyage du panier terminé, l'intérieur de votre laveuse peut dégager une odeur d'eau de javel.
- Il est recommandé d'exécuter une charge de couleur claire après le cycle de nettoyage du panier.

## **ZONE DU TIROIR DISTRIBUTEUR**

Le détergent et l'assouplissant peuvent s'accumuler dans le tiroir distributeur. Les résidus doivent être enlevés une ou deux fois par mois.

La languette de verrouillage est visible uniquement lorsque le tiroir a été ouvert.

Retirez le tiroir en le tirant d'abord jusqu'à ce qu'il s'arrête. Ensuite, penchez-vous dans le coin arrière droit de la cavité du tiroir et appuyez fermement sur la languette de verrouillage pour extraire le tiroir.

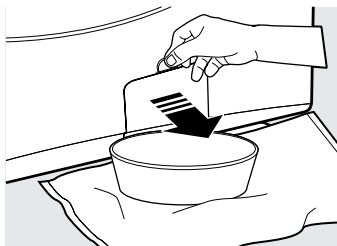


## NETTOYAGE DU FILTRE DE LA POMPE

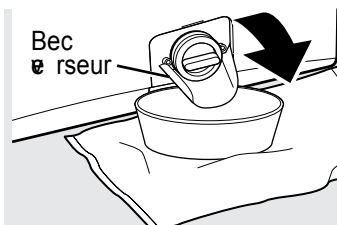
En raison de la nature de la laveuse à chargement frontal, il est parfois possible que de petits articles passent à la pompe. La laveuse a un filtre pour capturer les objets perdus afin qu'ils ne soient pas déversés dans le drain. Pour récupérer les objets perdus, nettoyez le filtre de la pompe.



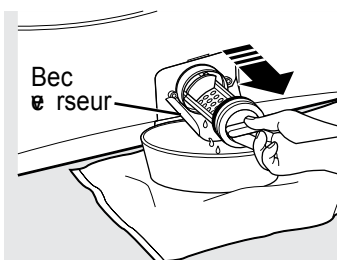
1. En utilisant une pièce de monnaie ou un tournevis plat dans l'encoche de la porte, ouvrez la porte d'accès.



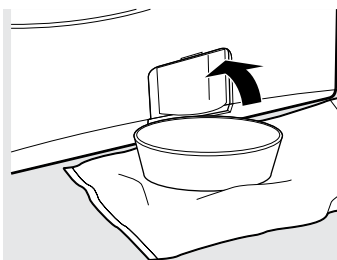
- Placez un plat peu profond ou un plat sous la porte d'accès à la pompe et des serviettes sur le sol devant la laveuse pour protéger le sol. Il est normal d'attraper environ une tasse d'eau lorsque le filtre est retiré.
- Abaissez le bec verseur.



- Tournez le filtre de la pompe dans le sens antihoraire et retirez le filtre. Ouvrez lentement pour permettre à l'eau de s'écouler.



- Nettoyez les débris du filtre.
- Remplacez le filtre et tournez dans le sens des aiguilles d'une montre. Serrez bien.
- Relevez le bec verseur.
- Fermez la porte d'accès.

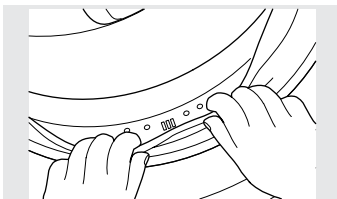


## NETTOYAGE DU JOINT DE PORTE

1. Ouvrez la porte de la laveuse. À l'aide des deux mains, appuyez sur le joint de la porte. Enlevez tous les corps étrangers trouvés dans le joint. Assurez-vous que rien ne bloque les trous derrière le joint.



2. Tout en maintenant le joint de la porte, inspectez le joint intérieur en le tirant avec vos doigts. Enlevez tout objet étranger s'il est trouvé coincé à l'intérieur de ce joint. Assurez-vous que rien ne bloque les trous derrière le joint.



3. Lorsque vous avez fini de nettoyer le joint de la porte, retirez vos mains et le joint retournera en position de fonctionnement.

## DÉMÉNAGEMENT, ENTREPOSAGE ET VACANCES PROLONGÉES

Demandez au technicien de service d'éliminer l'eau de la pompe de vidange et des tuyaux. Ne rangez pas la laveuse dans un endroit où elle sera exposée aux intempéries. Lors du déplacement de la laveuse, la cuve doit être maintenue immobile en utilisant les boulons d'exportation retirés lors de l'installation. Voir les instructions d'installation dans ce livre.

Assurez-vous que l'alimentation en eau est fermée aux robinets. Videz toute l'eau des tuyaux si le temps sera au-dessous de zéro.

# AVANT DE FAIRE APPEL AU SERVICE...

Des conseils de dépannage

Gagnez du temps et de l'argent! Examinez d'abord les tableaux des pages suivantes et vous n'avez peut-être pas besoin d'appeler le service.

Problème	Cause possible	Que faire
<b>Pas drainant</b> <b>Ne tourne pas</b> <b>Ne bouge pas</b>	<b>La charge est déséquilibrée</b>	<ul style="list-style-type: none"> <li>• Redistribuez les vêtements et exécutez drain et essorage ou rincez et essorez.</li> <li>• Augmentez la taille de la charge si vous lavez une petite charge contenant des objets lourds et légers.</li> </ul>
	<b>Pompe bouchée</b>	<ul style="list-style-type: none"> <li>• Voir page 28 pour savoir comment nettoyer le filtre de la pompe.</li> </ul>
	<b>Le tuyau de vidange est plié ou mal raccordé</b>	<ul style="list-style-type: none"> <li>• Redressez le tuyau de vidange et assurez-vous que la laveuse ne repose pas dessus.</li> </ul>
	<b>Le drain ménager peut être bouché</b>	<ul style="list-style-type: none"> <li>• Vérifiez la plomberie du ménage. Vous devrez peut-être appeler un plombier.</li> </ul>
	<b>Siphonnage du tuyau d'évacuation; tuyau d'évacuation poussé trop loin dans l'égout</b>	<ul style="list-style-type: none"> <li>• Assurez-vous qu'il y a un intervalle d'air entre le tuyau et le drain.</li> </ul>
<b>Une fuite d'eau</b>	<b>Le joint de porte est endommagé</b>	<ul style="list-style-type: none"> <li>• Vérifiez si le joint est en place et n'est pas déchiré. Les objets laissés dans les poches peuvent endommager la laveuse (clous, vis, stylos, crayons).</li> </ul>
	<b>Joint de porte non endommagé</b>	<ul style="list-style-type: none"> <li>• De l'eau peut couler de la porte lorsque celle-ci est ouverte. Ceci est une opération normale.</li> <li>• Essuyez soigneusement le joint en caoutchouc de la porte. Parfois, la saleté ou les vêtements sont laissés dans ce joint et peuvent provoquer une petite fuite.</li> </ul>
	<b>Vérifiez la gauche de la laveuse pour l'eau</b>	<ul style="list-style-type: none"> <li>• Si cette zone est humide, vous avez une condition excessive. Utilisez moins de détergent.</li> </ul>

Sécurité de  
La Laveuse

Exigences en  
Matière de  
Fonctionnement

Instruction  
d'Installation

Utilisation de  
La Laveuse

Entretien de  
La Laveuse

Dépannage

Problème	Cause possible	Que faire
<b>Une fuite d'eau (cont.)</b>	<b>Les tuyaux de remplissage ou de vidange sont mal branchés</b>	<ul style="list-style-type: none"> <li>Assurez-vous que les raccords de tuyau sont bien serrés au niveau de la laveuse et des robinets et que l'extrémité du tuyau de vidange est correctement insérée et fixée à l'installation de vidange.</li> </ul>
	<b>Le drain ménager peut être bouché</b>	<ul style="list-style-type: none"> <li>Vérifiez la plomberie du ménage. Vous devrez peut-être appeler un plombier.</li> </ul>
	<b>Distributeur bouché</b>	<ul style="list-style-type: none"> <li>Le savon en poudre peut causer des obstructions à l'intérieur du distributeur et une fuite d'eau à l'avant du distributeur. Retirez le tiroir et nettoyez le tiroir et l'intérieur du distributeur. Veuillez vous reporter à la section Nettoyage de la laveuse.</li> </ul>
	<b>Utilisation incorrecte de détergent</b> <b>Boîte distributrice fissure</b>	<ul style="list-style-type: none"> <li>Utilisez HE et la quantité correcte de détergent.</li> <li>S'il s'agit d'une nouvelle installation, vérifiez l'absence de fissure à l'intérieur de la boîte distributrice.</li> </ul>
<b>Vêtements trop humides</b>	<b>La charge est déséquilibrée</b>	<ul style="list-style-type: none"> <li>Redistribuez les vêtements et lancez le drain et l'essorage ou le rinçage et l'essorage.</li> <li>Augmentez la quantité de la charge si vous lavez des objets lourds et légers.</li> <li>La machine ralentira la vitesse d'essorage jusqu'à 400 tr/min si elle a du mal à équilibrer la charge. Cette vitesse est normale.</li> </ul>
	<b>Pompe bouchée</b>	<ul style="list-style-type: none"> <li>Voir page 28 pour savoir comment nettoyer le filtre de la pompe.</li> </ul>
	<b>Surcharge</b>	<ul style="list-style-type: none"> <li>Le poids sec de la charge doit être inférieur à 22 lb.</li> </ul>
	<b>Le tuyau de vidange est plié ou mal raccordé</b>	<ul style="list-style-type: none"> <li>Redressez le tuyau de vidange et assurez-vous que la laveuse ne repose pas dessus.</li> </ul>
	<b>Le drain ménager peut être bouché</b>	<ul style="list-style-type: none"> <li>Vérifiez la plomberie du ménage. Vous devrez peut-être appeler un plombier.</li> </ul>

Problème	Cause possible	Que faire
	<b>Siphonnage du tuyau d'évacuation; tuyau d'évacuation poussé trop loin dans l'égout</b>	<ul style="list-style-type: none"> <li>Assurez-vous qu'il y a un intervalle d'air entre le tuyau et le drain.</li> </ul>
<b>Cycle incomplet ou minuterie ne progressant pas</b>	<b>Redistribution automatique de la charge</b>  <b>Pompe bouchée</b>  <b>Le tuyau de vidange est plié ou mal raccordé</b>  <b>Le drain ménager peut être bouché</b>  <b>Siphonnage du tuyau d'évacuation; tuyau d'évacuation poussé trop loin dans l'égout</b>	<ul style="list-style-type: none"> <li>La minuterie ajoute 3 minutes au cycle pour chaque rééquilibrage. 11 ou 15 rééquilibrages peuvent être effectués. Ceci est un fonctionnement normal. Ne faites rien; la machine finira le cycle de lavage.</li> <li>Voir page 28 pour savoir comment nettoyer le filtre de la pompe.</li> <li>Tuyau de vidange droit et assurez-vous que la laveuse ne repose pas dessus.</li> <li>Vérifiez la plomberie du ménage. Vous devrez peut-être appeler un plombier.</li> <li>Assurez-vous qu'il y a un intervalle d'air entre le tuyau et le drain.</li> </ul>
<b>Bruit fort ou inhabituel; vibration ou tremblement</b>	<b>Cabinet en mouvement</b>  <b>Tous les pieds de nivellement en caoutchouc ne touchent pas fermement le sol</b>  <b>Charge déséquilibrée</b>  <b>Pompe bouchée</b>	<ul style="list-style-type: none"> <li>La laveuse est conçue pour se déplacer de ¼ po afin de réduire les efforts transmis au sol. Ce mouvement est normal.</li> <li>Poussez et tirez à l'arrière droit, puis à gauche de votre laveuse pour vérifier si elle est de niveau. Si la laveuse est inégale, réglez les pieds de nivellement en caoutchouc de manière à ce qu'ils touchent fermement le sol et soient verrouillés. Votre installateur devrait corriger ce problème.</li> <li>Ouvrir la porte et redistribuer manuellement la charge. Pour vérifier la machine, lancez le rinçage et essorez sans charge. Si normal, le déséquilibre a été causé par la charge.</li> <li>Voir page 28 pour savoir comment nettoyer le filtre de la pompe.</li> </ul>

Problème	Cause possible	Que faire
<b>Pas de courant/ laveuse ne fonctionne pas ou mort</b>	<b>La laveuse est débranchée</b>	<ul style="list-style-type: none"> <li>Assurez-vous que le cordon est bien branché dans une prise de courant.</li> <li>Ouvrez le robinet d'eau froide complètement.</li> <li>Vérifiez les fusibles du circuit interne. Remplacez les fusibles ou réinitialisez le disjoncteur. La laveuse doit avoir une sortie séparée.</li> <li>La première fois que la laveuse est branchée, des vérifications automatiques ont lieu. Cela peut prendre jusqu'à 20 secondes avant que vous puissiez utiliser votre laveuse. Ceci est un fonctionnement normal.</li> </ul>
	<b>La laveuse est débranchée</b>  <b>Le disjoncteur/ le fusible est déclenché/grillé</b>	
<b>Accrochages, trous, déchirures, déchirures ou usure excessive</b>	<b>Vérification automatique du système</b>	
	<b>Surchargé</b>  <b>Stylos, crayons, clous, vis ou autres objets laissés dans les poches</b>  <b>Épingles, boutons- pression, crochets, boutons tranchants, boucles de ceinture, fermetures à glissière et objets tranchants laissés dans les poches</b>	<ul style="list-style-type: none"> <li>Le poids sec de la charge devrait être inférieur à 22 lb.</li> <li>Enlevez les objets en vrac des poches.</li> <li>Fixez les boutons-pression, les crochets, les boutons et les fermetures à glissière.</li> </ul>
<b>Contrôle du temps incorrect ou des changements</b>	<b>C'est normal</b>	<ul style="list-style-type: none"> <li>Pendant l'essorage, il peut être nécessaire de rééquilibrer la charge parfois pour réduire les vibrations. Lorsque cela se produit, le temps estimé est augmenté, ce qui entraîne une augmentation du temps restant.</li> </ul>
<b>Pas assez d'eau</b>	<b>C'est normal</b>	<ul style="list-style-type: none"> <li>Les laveuses horizontales ne nécessitent pas que la baignoire se remplisse d'eau, contrairement aux laveuses à chargement par le dessus.</li> </ul>



Problème	Cause possible	Que faire
<b>La laveuse se met en pause ou doit être redémarrée, ou la porte de la laveuse est verrouillée et ne s'ouvre pas</b>	<b>Pompe bouchée</b>	<ul style="list-style-type: none"> <li>• Voir page 28 pour savoir comment nettoyer le filtre de la pompe.</li> </ul>
<b>La porte se déverrouille ou appuyez sur Démarrer et la machine ne fonctionne pas</b>	<b>C'est normal</b>	<ul style="list-style-type: none"> <li>• Les laveuses à chargement frontal démarrent différemment des laveuses à chargement par le dessus et le contrôle du système prend 30 secondes. La porte se verrouille et se déverrouille.</li> </ul>
	<b>Opération incorrecte</b>	<ul style="list-style-type: none"> <li>• Il suffit d'ouvrir et de fermer la porte fermement; puis appuyez sur Start.</li> </ul>
<b>L'eau n'entre pas dans la machine à laver ou entre lentement</b>	<b>Vérification automatique du système</b>	<ul style="list-style-type: none"> <li>• Après avoir appuyé sur Start, la laveuse effectue plusieurs vérifications du système. L'eau coulera 60 secondes après avoir appuyé sur Start.</li> </ul>
	<b>L'alimentation en eau est coupée</b>	<ul style="list-style-type: none"> <li>• Ouvrez complètement le robinet d'eau froide.</li> </ul>
	<b>Les filtres à eau sont fermés</b>	<ul style="list-style-type: none"> <li>• Fermez la source d'eau et retirez les tuyaux de raccordement d'eau situés dans la partie supérieure arrière de la laveuse. Utilisez une brosse ou un cure-dent pour nettoyer les écrans de la machine. Rebranchez le tuyau et rallumez l'eau.</li> </ul>
<b>Froisser</b>	<b>Mauvais tri</b>	<ul style="list-style-type: none"> <li>• Évitez de mélanger des articles lourds (tels que des vêtements de travail) avec des articles légers (tels que des chemisiers).</li> </ul>
	<b>Surcharge</b>	<ul style="list-style-type: none"> <li>• Chargez votre laveuse pour que les vêtements aient suffisamment d'espace pour bouger librement.</li> </ul>
	<b>Cycle de lavage incorrect</b>	<ul style="list-style-type: none"> <li>• Faites correspondre le choix du cycle au type de tissu que vous lavez (en particulier pour les brassées faciles d'entretien).</li> </ul>
	<b>Lavage répété dans une eau trop chaude</b>	<ul style="list-style-type: none"> <li>• Laver à l'eau tiède ou froide.</li> </ul>

Problème	Cause possible	Que faire
<b>Vêtements grisés ou jaunis</b>	<b>Pas assez de détergent</b>	<ul style="list-style-type: none"> <li>Utilisez la quantité correcte de détergent.</li> <li>Utilisez le détergent HE.</li> </ul>
	<b>Ne pas utiliser de détergent HE (haute efficacité)</b>	
	<b>Eau dure</b>	<ul style="list-style-type: none"> <li>Utilisez l'eau la plus chaude sans danger pour le tissu.</li> <li>Utilisez un conditionneur d'eau de marque Calgon ou installez un adoucisseur d'eau.</li> </ul>
<b>Taches colorées</b>	<b>Le détergent ne se dissout pas</b>	<ul style="list-style-type: none"> <li>Essayez un détergent liquide.</li> </ul>
	<b>Transfert de teinture</b>	<ul style="list-style-type: none"> <li>Triez les vêtements par couleur. Si l'étiquette du tissu indique de laver séparément les colorants instables peuvent être indiqués.</li> </ul>
<b>Taches colorées</b>	<b>Utilisation incorrecte de l'assouplissant</b>	<ul style="list-style-type: none"> <li>Consultez l'emballage de l'assouplissant pour connaître les instructions et suivez les instructions pour utiliser le distributeur.</li> </ul>
	<b>Transfert de teinture</b>	<ul style="list-style-type: none"> <li>Triez les articles blancs ou légèrement colorés des couleurs sombres.</li> <li>Ne pas sécher dans la sècheuse et laver à nouveau.</li> </ul>
<b>Légère variation de couleur métallique</b>	<b>C'est une apparence normale</b>	<ul style="list-style-type: none"> <li>En raison des propriétés métalliques de la peinture utilisée pour ce produit unique, de légères variations de couleur peuvent survenir en raison des angles de vision et des conditions d'éclairage.</li> </ul>

Problème	Cause possible	Que faire
<b>Mauvaise odeur à l'intérieur de votre laveuse</b>	<b>Laveuse inutilisée depuis longtemps, n'utilisant pas le détergent de qualité HE recommandée ou trop de détergent utilisé</b>	<ul style="list-style-type: none"> <li>• Exécutez un cycle de nettoyage du panier.</li> <li>• En cas d'odeur forte, vous devrez peut-être exécuter le cycle de nettoyage du panier plus d'une fois.</li> <li>• Utilisez uniquement la quantité de détergent recommandée sur le récipient à détergent.</li> <li>• N'utilisez que du détergent HE (haute efficacité).</li> <li>• Retirez toujours les articles mouillés de la laveuse dès que la machine cesse de fonctionner.</li> <li>• Laissez la porte légèrement ouverte pour que l'eau sèche à l'air. Une surveillance étroite est nécessaire si cet appareil est utilisé par ou près des enfants. Ne laissez pas les enfants jouer sur, avec ou à l'intérieur de cet appareil ou de tout autre appareil.</li> </ul>
<b>Fuite de détergent</b>	<b>Placement incorrect de l'insert de détergent</b>	Assurez-vous que l'insert de détergent est correctement placé et bien en place. Ne jamais mettre de détergent au dessus de la ligne max.
<b>Distribution inappropriée d'adoucissant ou d'eau de Javel</b>	<b>Distributeur obstrué</b>	Tous les mois, nettoyez le tiroir distributeur pour éliminer toute accumulation de produits chimiques.
	<b>L'adoucisseur ou l'eau de Javel est rempli au-dessus de la ligne maximale</b>	Assurez-vous d'avoir la bonne quantité d'adoucissant ou d'eau de javel.
	<b>Problème d'assouplissant ou de bouchon de blanchiment</b>	Assurez-vous que l'adoucisseur et le capuchon d'agent de blanchiment du distributeur sont en place sinon ils ne fonctionneront pas.

## CODES D'ERREUR

La description	Raison	Solution
E30	<b>La porte n'est pas bien fermée</b>	Redémarrez après que la porte soit fermée. Vérifiez si les vêtements sont collés.
E10	<b>Problème d'injection d'eau pendant le lavage</b>	Vérifiez si la pression de l'eau est trop basse. Redressez le tuyau d'eau. Vérifiez si le filtre de la soupape d'admission est bloqué.
E21	<b>Heures supplémentaires de drainage de l'e</b>	Vérifiez si le tuyau de vidange est bloqué.
E12	<b>Débordement d'eau</b>	Redémarrer la laveuse.
EXX	<b>Autres</b>	S'il vous plaît essayez à nouveau d'abord, appelez la ligne de service s'il y a encore des problème

# GARANTIE LIMITÉE DE LA LAVEUSE MIDEA

## ATTACHEZ VOTRE REÇU AUX PRÉSENTES. UNE PREUVE D'ACHAT EST REQUISE POUR OBTENIR UN SERVICE TECHNIQUE COUVERT PAR LA GARANTIE.

Veillez disposer des renseignements suivants lorsque vous appelez le Centre des services à la clientèle :

- Vos nom, adresse et numéro de téléphone
- Le numéro de modèle et le numéro de série de votre appareil
- Une description claire et détaillée du problème
- Une preuve d'achat, notamment le nom et l'adresse du concessionnaire ou du détaillant

### SI VOUS AVEZ BESOIN D'UN SERVICE TECHNIQUE :

1. Avant de communiquer avec nous pour organiser un service technique, déterminez si votre produit doit être réparé. Quelques problèmes peuvent être résolus sans service technique. Prenez quelques minutes pour revoir la section du Diagnostic de pannes du guide de l'utilisateur, ou consultez <http://us.Midea.com/support>.
2. Tout service technique couvert par la garantie est assuré exclusivement par nos prestataires de service technique Midea autorisés, aux États-Unis et au Canada.

#### Services à la clientèle Midea

**Aux États-Unis ou au Canada, appelez le 1-866-646-4332.**

Si vous résidez hors des 50 États des États-Unis ou hors du Canada, communiquez avec votre concessionnaire Midea autorisé pour déterminer si une autre garantie s'applique.

## GARANTIE LIMITÉE

### CE QUE LA GARANTIE COUVRE

#### GARANTIE LIMITÉE POUR LA PREMIÈRE ANNÉE (PIÈCES ET MAIN-D'ŒUVRE)

Pendant un an à compter de la date d'achat, si cet appareil ménager est installé, utilisé et entretenu conformément aux instructions qui sont ci-jointes ou fournies avec le produit, Midea America Corporation (ci-après appelée "Midea") paiera le coût de toute pièce de rechange spécifiée par l'usine et de la main-d'œuvre liée à la réparation, qui sont nécessaires pour corriger les défauts de matériaux et de fabrication qui étaient présents à l'achat de cet appareil ménager, ou remplacera le produit à sa seule discrétion. En cas de remplacement du produit, votre appareil ménager sera garanti pour la durée résiduelle de la période de garantie de l'appareil original.

#### GARANTIE DE DIX 10 ANS, UNIQUEMENT SUR LE MOTEUR INVERSEUR — LA MAIN-D'ŒUVRE N'EST PAS INCLUSE

Entre la deuxième et dixième année, à compter de la date d'achat original, lorsque cet appareil est installé, utilisé et entretenu selon les instructions fournies avec le produit, Midea paiera pour le remplacement des pièces d'usine du moteur inverseur dans la présence d'une défectuosité, afin de poursuivre son bon fonctionnement, comme au premier jour de l'achat. Cette garantie de 10 ans ne couvre que les pièces seulement, et n'inclut pas la main-d'œuvre.

#### GARANTIE À VIE LIMITÉE (CUVE EN ACIER INOXYDABLE)

Pendant la durée de vie du produit à compter de la date de l'achat original, si cet appareil ménager est installé, utilisé et entretenu conformément aux instructions qui sont ci-jointes ou fournies avec le produit, Midea paiera le coût des pièces de rechange spécifiées par l'usine et le coût de la main-d'œuvre de réparation des éléments précisés ci-dessous pour corriger les défauts non superficiels de matériaux ou de fabrication qui étaient présents à l'achat de l'appareil ménager en question :

- Cuve en acier inoxydable

VOTRE REMÈDE UNIQUE ET EXCLUSIF EN VERTU DE LA PRÉSENTE GARANTIE LIMITÉE EST LA RÉPARATION OU LE REMPLACEMENT DU PRODUIT, COMME PRÉVU AUX PRÉSENTES. Le service technique doit être assuré par une entreprise d'entretien désignée par Midea. La garantie limitée est valide uniquement dans les 50 États des États-Unis ou au Canada et s'applique uniquement si l'appareil ménager est utilisé dans le pays où il a été acheté. La présente garantie limitée entre en vigueur à compter de la date de l'achat original de l'appareil ménager par le consommateur. Une preuve de la date de l'achat original doit être présentée pour obtenir un service technique en vertu de la présente garantie limitée.

## GARANTIE LIMITÉE

### CE QUE LA GARANTIE NE COUVRE PAS

1. Une utilisation commerciale, non résidentielle ou multifamiliale, ou une utilisation non conforme aux instructions d'installation, d'utilisation ou de fonctionnement qui ont été publiées.
2. Une instruction à domicile sur le mode d'emploi du produit.
3. Un service technique pour corriger un mauvais entretien ou une installation incorrecte du produit, une installation non conforme aux codes d'électricité ou de plomberie, ou pour apporter une correction au système d'électricité ou de plomberie du domicile (p. ex. câblage, fusibles, tuyauterie ou tuyaux d'arrivée d'eau).
4. Les pièces consommables (p. ex. ampoules, batteries, filtres à air ou à eau, etc.).
5. Les défauts ou dommages causés par l'utilisation de pièces ou accessoires non originaux de Midea.
6. Les dommages causés par un accident, un mauvais usage, un usage abusif, un incendie, une inondation, des problèmes électriques, une force majeure, ou une utilisation avec des produits qui ne sont pas approuvés par Midea.
7. Les réparations des pièces ou systèmes qui sont nécessaires pour corriger l'endommagement du produit ou les défauts causés par un service technique, une altération ou une modification de l'appareil qui n'ont pas été autorisés.
8. Les dommages superficiels, notamment les égratignures, les bosses, les ébréchures et d'autres dommages causés au fini de l'appareil, à moins que ces dommages ne découlent de défauts de matériaux et de fabrication et n'aient pas été déclarés à Midea dans un délai de 30 jours.
9. L'entretien courant du produit.
10. Des produits achetés "tels quels" ou ayant été remis en état de fonctionnement.
11. Des produits ayant été transférés de leur propriétaire original.
12. La décoloration, la rouille ou l'oxydation des surfaces découlant d'environnements caustiques ou corrosifs, y compris mais non de façon limitative, les concentrations élevées en sel, un niveau élevé d'humidité ou une exposition aux produits chimiques.
13. La collecte ou la livraison du produit. Celui-ci est destiné à une réparation à domicile.
14. Les frais de voyage ou de transport pour obtenir un service technique dans les endroits éloignés, où un préposé à l'entretien autorisé de Midea n'est pas disponible.
15. Le retrait ou la réinstallation d'appareils inaccessibles ou d'accessoires fixes incorporés (p. ex. boiserie, panneaux décoratifs, revêtement de sol, armoires de cuisine, îlots de cuisine, comptoirs de cuisine, cloisons sèches, etc.) qui entravent l'entretien technique, le retrait ou le remplacement du produit.
16. Le service technique ou les pièces pour des appareils dont les numéros originaux de modèle ou de série ont été enlevés ou altérés, ou sont difficilement reconnaissables.

**Dans ces circonstances exclues, le coût des réparations ou du remplacement du produit sera assumé par le client.**

### DÉNÉGATION DE GARANTIES IMPLICITES

LES GARANTIES IMPLICITES, Y COMPRIS TOUTE GARANTIE IMPLICITE DE QUALITÉ MARCHANDE OU GARANTIE IMPLICITE D'APTITUDE À UN EMPLOI PARTICULIER, SONT LIMITÉES À UNE PÉRIODE D'UN AN OU À LA PÉRIODE LA PLUS COURTE PERMISE PAR LA LOI. Quelques états et provinces ne permettent pas l'imposition d'une limite à la durée des garanties implicites de qualité marchande ou d'aptitude à l'emploi et, par conséquent, il est possible que cette limitation ne vous concerne pas. La présente garantie vous confère certains droits légaux. Vous pouvez également jouir d'autres droits, lesquels varient d'un état à l'autre ou d'une province à l'autre.

### DÉNÉGATION DE DÉCLARATIONS NE RELEVANT PAS DE LA GARANTIE

Midea ne fait aucune déclaration concernant la qualité ou la durabilité de cet appareil ménager, ni son besoin de service technique ou de réparation, à part les déclarations formulées dans la présente garantie. Si vous souhaitez une garantie plus longue ou plus complète que la garantie limitée qui accompagne cet appareil ménager, veuillez communiquer avec Midea ou votre détaillant au sujet de l'achat d'une prolongation de garantie.

### LIMITATION DES REMÈDES; EXCLUSION DES DOMMAGES ACCESSOIRES ET DES DOMMAGES INDIRECTS

VOTRE REMÈDE UNIQUE ET EXCLUSIF EN VERTU DE LA PRÉSENTE GARANTIE LIMITÉE EST LA RÉPARATION DU PRODUIT PAR MIDEA, COMME PRÉVU AUX PRÉSENTES. MIDEA N'EST PAS RESPONSABLE DES DOMMAGES ACCESSOIRES ET INDIRECTS. Quelques états et provinces ne permettent pas l'exclusion ou la limitation de dommages accessoires ou indirects et, par conséquent, il est possible que ces limitations et ces exclusions ne vous concernent pas. La présente garantie vous confère certains droits légaux. Vous pouvez également jouir d'autres droits, lesquels varient d'un état à l'autre ou d'une province à l'autre.

**PROTÉGEZ VOTRE PRODUIT:**

Nous garderons le numéro du modèle et la date d'achat de votre nouvel appareil Midea dans nos dossiers, à titre de référence en cas d'une réclamation d'assurance pour feu ou vol.

Inscrivez-vous en ligne à <https://us.midea.com/product-registration>

**OU**

Veuillez remplir et retourner à l'adresse suivante :

Midea America Corp. 759 Bloomfield Ave #386, West Caldwell, NJ 07006-6701

----- (détachez ici) -----

Nom :	No de modèle :	No de série :
	Carte :	
Adresse :	Date de l'achat :	Nom du détaillant/magasin :
Ville :	État :	Code postal :
	Adresse courriel:	
Indicatif régional : Numéro de téléphone :	Travail :	
Avez-vous acheté une garantie supplémentaire :	Comme résidence principale :	
Comment avez-vous entendu parler de ce produit : <input type="checkbox"/> Publicité <input type="checkbox"/> Démonstration en magasin <input type="checkbox"/> Démonstration en personne	Âge : État civil :	

*Toute information recueillie ou soumise n'est accessible qu'aux employés internes de l'entreprise, leur permettant de vous contacter ou de vous envoyer des courriels, selon les propos de votre demande, et pour permettre aux fournisseurs de service de l'entreprise de répondre à vos besoins. Aucune information personnelle ne sera partagée avec d'autres organisations à des fins commerciales.*

Veuillez laisser vos commentaires à [www.midea.com](http://www.midea.com).

Midea America Corp.  
759 Bloomfield Ave, # 386  
West Caldwell, NJ 07006-6701  
Service à la clientèle 866-646-4332

Fabriqué en Chine

V2 FRANÇAIS







## Manual del Propietario & Instrucciones de Instalación

### Lavadoras

Fuente de alimentación: 120V  
Circuit: branche de 16 ampères  
Frecuencia: 50Hz  
Capacidad: 5,2 pi cu

**Advertencia:**  
Antes de utilizar este producto, lea atentamente este manual y guárdelo para consultarlo posteriormente. El diseño y las especificaciones están sujetos a cambios sin previo aviso para mejoras de los productos. Consulte con su distribuidor o fabricante para obtener detalles.



**NÚMERO DE MODELO**  
**MLH52S7AGS**  
**MLH52S7AWW**  
[www.midea.com](http://www.midea.com)

# Estimado usuario

**GRACIAS y FELICITACIONES** por haber comprado este producto Midea de alta calidad. Su lavadora Midea está diseñada para un rendimiento confiable y sin problemas. Dedique un momento a registrar su nueva lavadora.

Registre su nueva lavadora en **www.midea.com** haciendo clic en la solapa **Support** (Soporte).

Para referencia futura, registre su modelo de producto y números de serie que se encuentran en el marco interior de la lavadora.

Número de modelo \_\_\_\_\_

Número de serie \_\_\_\_\_

<b>SEGURIDAD DE LA LAVADORA .....</b>	<b>3</b>
Instalación Adecuada.....	5
Cuando No Esté en Uso .....	6
<b>REQUISITOS OPERATIVOS .....</b>	<b>6</b>
Ubicación de Su Lavadora .....	6
Requisitos Eléctricos.....	7
Requisitos de Suministro de Agua.....	8
Requisitos de Drenaje.....	8
<b>INSTRUCCIONES DE INSTALACIÓN .....</b>	<b>9</b>
Antes de Comenzar .....	9
Herramientas Necesarias.....	9
Piezas Necesarias (Comprar Localmente).....	10
Piezas Suministradas.....	10
Dimensiones Aproximadas .....	10
Desembalar La Lavadora.....	11
Instalación de La Lavadora.....	12
<b>USAR LA LAVADORA.....</b>	<b>15</b>
Panel de Control .....	15
Características .....	22
Cargar y Usar La Lavadora .....	25

<b>CUIDADO DE LA LAVADORA .....</b>	<b>26</b>
Limpieza.....	26
Mudanzas, Almacenamiento y Vacaciones Largas.....	31
<b>ANTES DE SOLICITAR SERVICIO TÉCNICO... ..</b>	<b>31</b>
Error Codes.....	39
<b>GARANTÍA.....</b>	<b>40</b>
<b>REGISTRO DE PRODUCTO.....</b>	<b>42</b>

## SEGURIDAD DE LA LAVADORA

SU SEGURIDAD Y LA SEGURIDAD DE LOS DEMÁS SON MUY IMPORTANTES

Para prevenir lesiones del usuario y otras personas y daños materiales, se deben seguir las instrucciones que se muestran debajo. El funcionamiento incorrecto por ignorar las instrucciones puede causar daños o heridas, e incluso la muerte.

El nivel de riesgo se muestra según las siguientes indicaciones.



ADVERTENCIA

**Este símbolo indica la posibilidad de muerte o heridas graves.**



PRECAUCIÓN

**Este símbolo indica la posibilidad de lesiones o daños a la propiedad.**



ADVERTENCIA

**Este símbolo indica que existe la posibilidad de voltaje peligroso con un riesgo de descarga eléctrica, lo que puede provocar la muerte o heridas graves.**

# INSTRUCCIONES IMPORTANTES DE SEGURIDAD

## ADVERTENCIA

Para reducir el riesgo de muerte, incendio, explosión, descarga eléctrica o lesiones a las personas al utilizar el aparato, respete las precauciones básicas, incluso lo siguiente:

- Lea el manual de instrucciones antes de utilizar el electrodoméstico.
- **NO LAVE** ni seque artículos que ya se hayan limpiado, lavado, remojado o manchado con gasolina, disolventes de limpieza en seco ni otras sustancias inflamables o explosivas, ya que despiden vapores que pueden encenderse o causar una explosión.
- **NO VIERTA** gasolina, disolventes de limpieza en seco u otras sustancias inflamables o explosivas al agua de lavado. Estas sustancias despiden vapores que pueden encenderse o causar una explosión.
- En ciertas condiciones, puede generarse gas de hidrógeno en un sistema de agua caliente que no se haya usado durante 2 semanas o un período mayor. **EL GAS DE HIDRÓGENO ES EXPLOSIVO.** Si no se ha usado el sistema de agua caliente durante dicho período, antes de usar la lavadora o la lavadora-secadora, abra todos los grifos de agua caliente y deje que corra el agua de cada uno de ellos durante varios minutos. Esto libera el gas de hidrógeno acumulado. Como el gas es inflamable, no fume ni use llama expuesta durante ese momento.
- **NO DEJE** que los niños jueguen sobre la lavadora o dentro de ella. Es necesario supervisar cuidadosamente a los niños siempre que se use el aparato cerca de ellos. Antes de retirar la lavadora de servicio o desecharla, quite la puerta o tapa. No seguir estas instrucciones puede provocar la muerte o lesiones a las personas.
- **NO** introduzca las manos en el electrodoméstico si el tambor u otros componentes están en movimiento para evitar quedar atrapado.
- **NO INSTALE** ni guarde este electrodoméstico en lugares donde quede expuesto a la intemperie o a temperaturas por debajo del punto de congelación.

- **NO** altere los controles ni repare ni reemplace ninguna pieza de este electrodoméstico ni trate de repararlo a menos que esté específicamente recomendado en las instrucciones de mantenimiento o en las instrucciones de reparación publicadas para el usuario que usted comprenda y solo si cuenta con la experiencia necesaria para llevar a cabo dicha reparación.
- Mantenga limpia y seca el área alrededor de su electrodoméstico para reducir la posibilidad de resbalones.
- NO utilice esta lavadora si está dañada, funciona mal, está parcialmente desarmada, le faltan piezas o están rotas, inclusive si el cable o el enchufe están dañados.
- Antes de hacer reparaciones, desconecte el electrodoméstico o apague el disyuntor. Pulsar el botón de encendido NO desconecta la energía.
- Vea “Requisitos eléctricos” en las Instrucciones de instalación para consultar las instrucciones de conexión a tierra. Este electrodoméstico no está diseñado para que lo usen personas (niños incluidos) con capacidades físicas, sensoriales o mentales reducidas o que carezcan de la experiencia y el conocimiento, a menos que tengan supervisión o hayan recibido instrucciones acerca del uso del electrodoméstico por parte de una persona responsable de su seguridad. Se debe supervisar a los niños para asegurarse de que no jueguen con el electrodoméstico.
- Si el cable de alimentación está dañado, lo debe reemplazar el fabricante, su agente de servicio técnico o una persona con calificación similar a fin de evitar riesgos.
- No se debe reutilizar las mangueras viejas, en cambio, se debe utilizar las mangueras nuevas adquiridas en el comercio donde se compró el producto.
- Este electrodoméstico es solo para uso en interiores.

## INSTALACIÓN ADECUADA

- Esta lavadora se debe instalar adecuadamente y se debe ubicar de acuerdo con las Instrucciones de instalación antes de usarla. Asegúrese de que la manguera de agua fría esté conectada a la válvula “C”.
- Instale o almacene la lavadora en un lugar donde no quede expuesta a temperaturas inferiores al punto de congelación ni a la intemperie, ya que esto podría provocar daños permanentes y anular la garantía. Conecte la lavadora a tierra según lo indican los códigos y ordenanzas aplicables. Siga los detalles de las Instrucciones de instalación.

## ADVERTENCIA



### Peligro de Choque Eléctrico

- Conecte a un contacto de pared de conexión a tierra de 3 terminales.
- No quite el terminal de conexión a tierra del cable de alimentación.
- No use un adaptador.
- No use un cable eléctrico de extensión.
- No seguir estas instrucciones puede ocasionar la muerte, incendio o choque eléctrico.

## CUANDO NO ESTÉ EN USO

Cierre los grifos de agua para minimizar las filtraciones si hubiera una rotura. Revise el estado de las mangueras de llenado. Se recomienda cambiar las mangueras cada 5 años.

### Advertencias de la “Proposición 65” del estado de California:



**ADVERTENCIA:** Cáncer y daños al sistema reproductivo  
-[www.P65Warnings.ca.gov](http://www.P65Warnings.ca.gov).

## GUARDE ESTAS INSTRUCCIONES

ESTE ELECTRODOMÉSTICO ES SOLO PARA USO DOMÉSTICO

## REQUISITOS OPERATIVOS

### UBICACIÓN DE SU LAVADORA

#### NO INSTALE LA LAVADORA:

1. En un lugar expuesto a goteo de agua o a condiciones atmosféricas. La temperatura ambiente nunca debe ser inferior a 60 °F (15,6 °C) para que la lavadora funcione correctamente.
2. En un lugar donde entre en contacto con cortinas.
3. Sobre una alfombra. El piso DEBE ser una superficie dura con una pendiente máxima de ½" por pie (1,27 cm por 30 cm). Para asegurarse de que la lavadora no vibre ni se mueva, tal vez deba reforzar el piso.

**NOTA:** Si el estado del piso es deficiente, use una plancha de madera contrachapada de ¾" (1,9 cm) impregnada, firmemente fijada a la cubierta del piso.

## IMPORTANTE: DISTANCIAS MÍNIMAS DE INSTALACIÓN

- Cuando se instala en una alcoba: Lados, atrás, arriba = 0" (0 cm)
- Cuando se instala en un armario: Lados, atrás, arriba = 0" (0 cm), frente = 1" (2,54 cm)
- Aberturas de ventilación de la puerta del armario requeridas: 2 persianas de 60 pulgadas cuadradas cada una (387 cm<sup>2</sup>), situadas a 3" (7,6 cm) de la parte superior e inferior de la puerta

## REQUISITOS ELÉCTRICOS

Lea estas instrucciones por completo y con cuidado.



### ADVERTENCIA

**PARA REDUCIR EL RIESGO DE INCENDIO, DESCARGA ELÉCTRICA Y LESIONES FÍSICAS:**

- **NO UTILICE UN ALARGADOR NI UN ADAPTADOR DE ENCHUFE CON ESTE ELECTRODOMÉSTICO. La lavadora debe tener una conexión a tierra conforme con los códigos y ordenanzas locales.**

**CIRCUITO** - Circuito de derivación de 16 amperios individual, debidamente polarizado y conectado a tierra con un fusible de retardo de 16 amperios o un disyuntor.

**SUMINISTRO DE ENERGÍA** - Cable de dos vías con conexión a tierra, corriente alterna de 120V, monofásica, de 50 Hz.

**TOMACORRIENTE** - Tomacorriente debidamente conectado a tierra y ubicado de tal manera que el cable de alimentación quede accesible cuando la lavadora esté en su posición de instalada.



### REQUISITOS DE CONEXIÓN A TIERRA

La conexión incorrecta del equipo mediante el conductor con conexión a tierra puede crear un riesgo de descarga eléctrica. Consulte con un electricista matriculado si tiene dudas acerca de la correcta conexión a tierra del electrodoméstico.

1. La lavadora **DEBE** estar conectada a tierra. En caso de funcionamiento defectuoso o avería, la conexión a tierra reducirá el riesgo de descarga eléctrica al proporcionar una vía de menor resistencia para la corriente eléctrica.
2. Dado que su lavadora está equipada con un cable de alimentación con conductor conectado a tierra y un enchufe a tierra, el enchufe **DEBE** estar conectado a un tomacorriente con hilos de cobre, adecuadamente instalado y conectado a tierra, conforme a todos los códigos locales. Si tiene dudas, consulte con un electricista matriculado. **NO** corte ni altere la clavija de tierra del cable de alimentación. En situaciones en que haya un tomacorriente con dos orificios, el propietario tiene la responsabilidad de hacer que un electricista matriculado lo reemplace con un tomacorriente con conexión a **tierra adecuada**.

## REQUISITOS DE SUMINISTRO DE AGUA

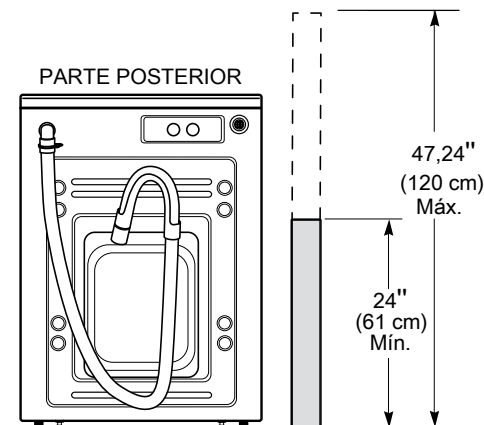
DEBE haber un grifo de agua fría instalado dentro de las 42 pulgadas (107 cm) desde la entrada de agua de su lavadora. El grifo DEBE ser del tipo para manguera de jardín de  $\frac{3}{4}$ " (1,9 cm) para que se pueda conectar la manguera de entrada. La presión de agua DEBE ser de entre 10 y 120 libras por pulgada cuadrada (68,95 y 827,37 kg/cm<sup>2</sup>). El departamento de agua de su ciudad puede asesorarle acerca de la presión de agua en su casa.

## REQUISITOS DE DRENAJE

1. Drenaje capaz de eliminar 64,3 l por minuto.
2. Diámetro del tubo vertical de  $1\frac{1}{4}$ " (3,18 cm) como mínimo.
3. La altura del tubo vertical por encima del suelo debe ser:

Altura mínima: 24" (61 cm)

Altura máxima: 47,24" (120 cm)





# INSTRUCCIONES DE INSTALACIÓN

## ANTES DE COMENZAR

Lea estas instrucciones por completo y con cuidado.

- **IMPORTANTE** - Guarde estas instrucciones para que las use el inspector local.
- **IMPORTANTE** - Cumpla con todos los códigos y ordenanzas vigentes.
- **Nota para la instalación** - Asegúrese de entregarle estas instrucciones al usuario.
- **Nota para el usuario** - Guarde estas instrucciones para consultarlas en el futuro.
- **Nivel de habilidad** - La instalación de este electrodoméstico requiere habilidades mecánicas y eléctricas básicas.
- **Tiempo para completar la instalación** - 1 a 3 horas
- La instalación adecuada es responsabilidad del instalador.
- Las fallas del producto debido a una instalación inadecuada no están cubiertas por la garantía.

## PARA SU SEGURIDAD:

### ADVERTENCIA

- Este electrodoméstico debe conectarse correctamente a tierra y debe instalarse tal como se describe en estas Instrucciones de instalación.
- No instale ni guarde la lavadora en lugares donde quede expuesta a la intemperie o al agua. Consulte la sección Ubicación de su lavadora.
- **NOTA:** Este electrodoméstico debe conectarse correctamente a tierra y al suministro eléctrico.

## HERRAMIENTAS NECESARIAS

- Llave ajustable o llave de tubo de ½" con trinquete
- Llave ajustable o llave fija de ¾"
- Pinza pico de loro
- Nivel de carpintero

## PIEZAS NECESARIAS (COMPRAR LOCALMENTE)

Manguera para agua (2)

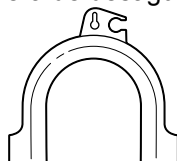


## PIEZAS SUMINISTRADAS

Precintos



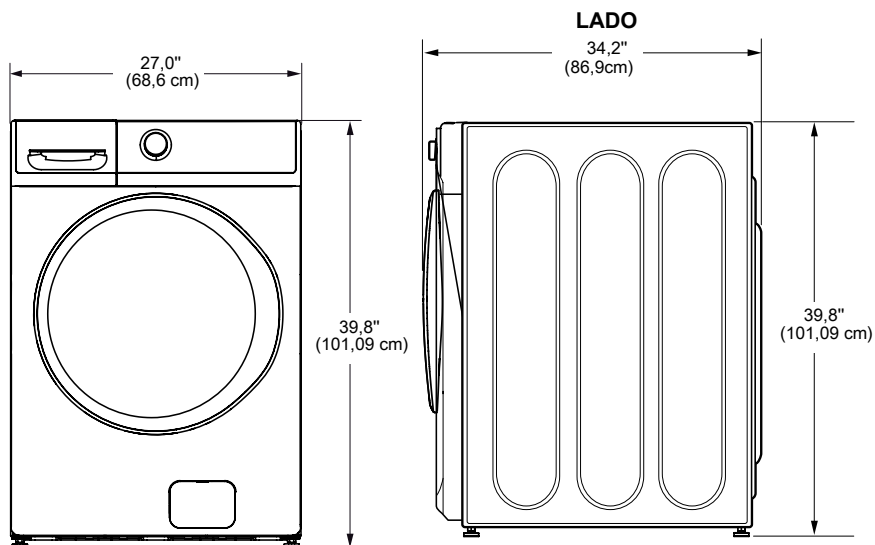
Guía de la manguera de desagüe



Arandelas de filtro de la manguera de entrada (2)



## DIMENSIONES APROXIMADAS



**\*NOTA:** Con pedestal: 52,6" (133,60 cm)  
Apilado: 84" (213,36 cm)

## DESEMBALAR LA LAVADORA

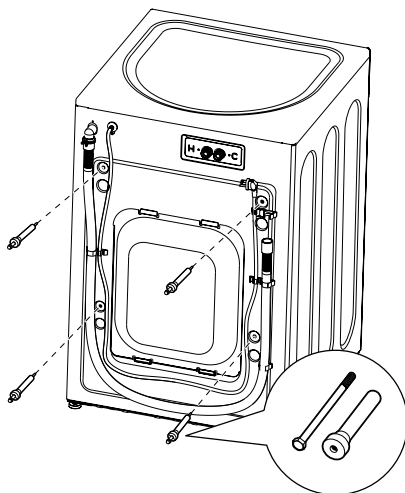
### ADVERTENCIA:

- Recicle o destruya la caja y las bolsas de plástico después de desembalar la lavadora. No deje los materiales al alcance de los niños. Los niños podrían usarla para jugar. Las cajas cubiertas con alfombras, cubrecamas o plásticos podrían convertirse en cámaras herméticas y causar asfixia.

1. Corte y elimine las partes superior e inferior de las tiras de embalaje.
2. Mientras esté dentro de la caja, coloque la lavadora en forma horizontal apoyándola con cuidado sobre un costado. NO apoye la lavadora sobre el frente ni la parte posterior.
3. Gire hacia abajo las lengüetas inferiores. Quite todo el embalaje inferior, incluido el cartón, la base de espuma de poliestireno y el soporte de la tina de espuma de poliestireno (insertado en el centro de la base).

**NOTA:** Si está instalando un pedestal, siga las instrucciones de instalación del pedestal.

4. Con cuidado, vuelva a poner la lavadora en posición vertical y quite la caja.
5. Con cuidado, mueva la lavadora hasta unos 4 pies (122 cm) de la ubicación definitiva.
6. Retire los siguientes artículos de la parte posterior de la lavadora:
  - 4 pernos
  - 4 espaciadores de plástico (incluidos los ojales de goma)
  - 4 sujetadores del cable eléctrico



**NOTA:** Si no quita los pernos de envío\*, la lavadora podría desequilibrarse gravemente.

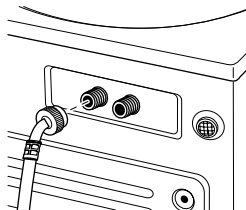
**Guarde todos los pernos para usarlos en el futuro.**

\* La garantía no cubre los daños causados por no haber retirado los pernos de envío.

**NOTA:** Si en el futuro debe transportar la lavadora, debe volver a instalar los artículos de soporte de envío para evitar daños durante el traslado. Mantenga los artículos dentro de la bolsa de plástico suministrada.

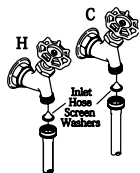
## INSTALACIÓN DE LA LAVADORA

1. Haga correr un poco de agua del grifo de agua fría para descargar las líneas de agua y eliminar las partículas que podrían obstruir la manguera de entrada.
2. Asegúrese de que haya una arandela de goma en las mangueras. Vuelva a instalar la arandela de goma en la conexión de la manguera si se ha caído durante el traslado. Con cuidado, conecte la manguera de entrada que dice HOT (Caliente) en la salida “H” exterior de la válvula de agua. Ajuste a mano; luego gire  $\frac{3}{8}$  de vuelta más con pinzas para ajustar. Con cuidado, conecte la otra manguera de entrada en la salida “C” interior de la válvula de agua. Ajuste a mano; luego gire  $\frac{3}{8}$  de vuelta más con pinzas para ajustar.



**No cruce las roscas ni apriete en exceso estas conexiones.**

3. Instale las arandelas de filtro; para ello, insértelas en los extremos libres de las mangueras de entrada con el lado sobresaliente mirando hacia el grifo.
4. Conecte los extremos de la manguera de entrada a los grifos de agua caliente (H) y fría (C), ajústelos firmemente a mano, luego gire  $\frac{3}{8}$  de vuelta más con pinzas para ajustar. Abra el paso de agua y revise que no haya filtraciones.



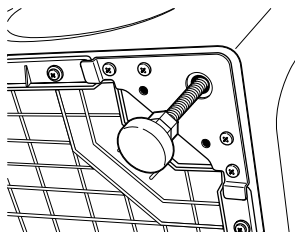
5. Mueva con cuidado la lavadora hasta su ubicación definitiva. Balancee suavemente la lavadora para llevarla a su posición; asegúrese de que las mangueras de entrada no queden retorcidas. Es importante no dañar las patas niveladoras de goma cuando mueva la lavadora hasta su ubicación definitiva. Las patas dañadas pueden aumentar la vibración de la lavadora. Rociar el piso con limpiador de vidrios puede ser útil para ayudar a mover la lavadora hasta su posición definitiva.

**NOTA:** Para reducir la vibración, asegúrese de que las cuatro patas niveladoras de goma estén firmemente apoyadas en el piso. Empuje y jale de la parte posterior derecha y luego de la parte posterior izquierda de su lavadora.

**NOTA:** No use la gaveta de dispensadores ni la puerta para levantar la lavadora.

**NOTA:** Si está instalando en una bandeja de drenaje, puede usar un 2x4 de 24 pulgadas de largo como palanca para poner la lavadora en posición.

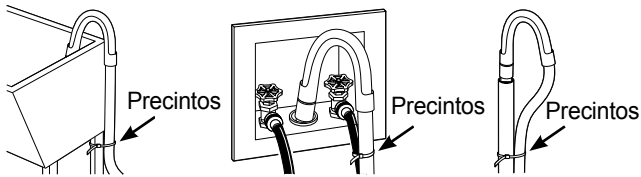
6. Con la lavadora en su posición definitiva, coloque un nivel sobre la lavadora (si la lavadora se instala debajo de una encimera, no debería poder balancearse). Ajuste las patas niveladoras delanteras hacia arriba o hacia abajo para asegurarse de que la lavadora quede firmemente apoyada. Gire las tuercas de bloqueo de cada pata hacia arriba en dirección a la base de la lavadora y ajuste con una llave.



**NOTA:** Mantenga la extensión de la pata al mínimo para evitar el exceso de vibración. Cuanto más hacia afuera se extiendan las patas, más vibrará la lavadora.

Si el piso no está nivelado o si está dañado, tal vez deba extender las patas niveladoras traseras.

7. Acople la guía de manguera en U al extremo de la manguera de desagüe. Coloque la manguera dentro de una tina de lavado o un tubo vertical y fíjela con el precinto suministrado en el paquete del gabinete.



**NOTA:** Si coloca la manguera de desagüe demasiado abajo del tubo de desagüe, se puede producir una acción de sifón. Dentro del tubo de desagüe, no debería haber más de 7 pulgadas (17,78 cm) de manguera. Debe haber una separación de aire alrededor de la manguera de desagüe. Un accesorio de ajuste también puede provocar una acción de sifón.

8. Conecte el cable eléctrico a un tomacorriente con conexión a tierra.

**NOTA:** Revise para asegurarse de que la energía está desconectada en el disyuntor o la caja de fusibles antes de conectar el cable eléctrico en un tomacorriente.

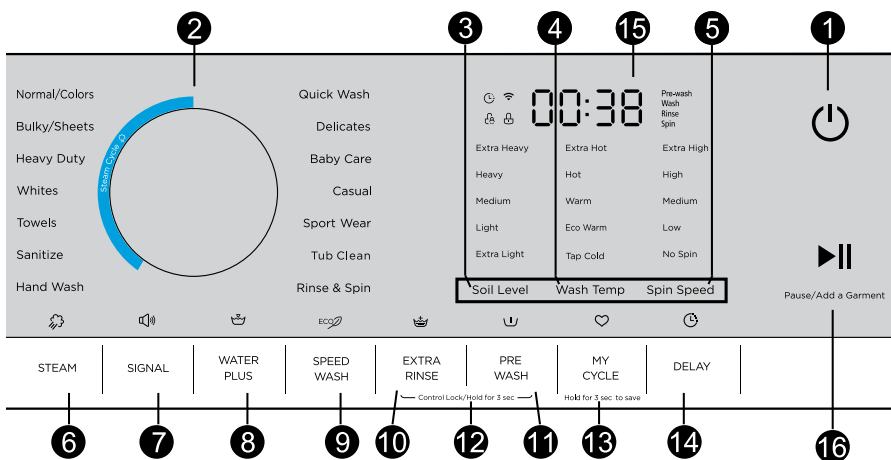
9. Encienda la energía en el disyuntor o la caja de fusibles.
10. Lea el resto de este Manual del propietario. Contiene información valiosa y útil que le ahorrará tiempo y dinero.
11. **Antes de encender la lavadora, asegúrese de lo siguiente:**

- Que la alimentación eléctrica esté encendida.
- Que la lavadora esté conectada.
- Que los grifos de agua estén abiertos.
- Que la unidad esté nivelada y las cuatro patas niveladoras estén firmemente apoyadas en el piso.
- Que se hayan quitado y guardado los accesorios de soporte de envío.
- Que la manguera de desagüe esté correctamente sujeta.

12. Que se ejecute un ciclo completo de la lavadora.
13. Si su lavadora no funciona, antes de solicitar servicio técnico, revise la sección Antes de solicitar servicio técnico.
14. Guarde estas instrucciones en un lugar cerca de la lavadora para consultarlas en el futuro.

# USAR LA LAVADORA

## PANEL DE CONTROL



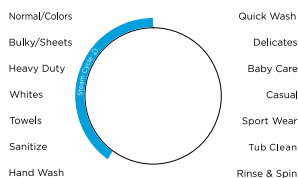
## INICIO RÁPIDO

1 Oprima el botón de encendido.

Si la pantalla está oscura, oprimir una vez el botón de encendido “despertará la pantalla”.



2 Seleccione un ciclo de lavado. (Hay configuraciones predeterminadas para cada ciclo. Estas configuraciones predeterminadas se pueden cambiar. Vaya a Configuración de controles para ver más información).



3 Oprima el botón Start/Pause (Inicio/Pausa).



## AJUSTE DE CONTROL

### 1 Encendido

Oprima para “despertar” la pantalla. Si la pantalla está activa, oprímalo para poner la lavadora en modo de espera.

**NOTA:** Oprimir el botón de encendido no desconecta el electrodoméstico del suministro de energía.

### 2 Ciclos de lavado

Los ciclos de lavado están optimizados para tipos específicos de cargas de lavado. El cuadro a continuación le ayudará a identificar la configuración con las cargas.

Normals/ Colors* (Normales/ Colores)	Para algodones, ropa blanca, prendas de trabajo y de juego ligeramente sucia a muy sucia. <b>NOTA:</b> Este es el ciclo más común.
Bulky/ Sheets* (Artículos voluminosos/ sábanas)	Para artículos de gran tamaño como colchas, frazadas, alfombras pequeñas y otros artículos voluminosos similares.
Heavy Duty* (Intenso)	Lavado de prendas grandes y pesadas, como sobretodos o toallas.
White* (Ropa blanca)	Para ropa blanca, prendas de trabajo y de juego ligeramente sucia a muy sucia.
Towels* (Toallas)	Para artículos como toallas, sábanas, fundas de almohadas y trapos de cocina.
Sanitize* (Desinfectar)	Para aumentar la temperatura del agua, lo que tendrá un efecto desinfectante y matará más del 99,9 % de las bacterias más comunes que se encuentran en la ropa doméstica. Para obtener mejores resultados, cuando use el ciclo Sanitize (Desinfectar) seleccione la configuración para suciedad muy intensa.
Hand wash/ Wool* (Lavar a mano/ Lana)	Programa de lavado especialmente suave para tejidos de lana o lavado a mano.
Quick Wash (Lavado rápido)	Para artículos ligeramente sucios que se necesitan con prisa. La duración del ciclo es de aproximadamente 50 minutos, según las opciones seleccionadas.
Delicates (Prendas delicadas)	Para telas lavables, delicadas, p. ej., de seda, satén, fibras sintéticas o telas de mezcla.
Baby Care (Ropa de bebé)	Para lavar la ropa de bebé, puede hacer que la ropa de bebé esté más limpia y mejorar el rendimiento del enjuague para proteger la piel del bebé.
Casual (Ropa informal)	Carga mixta que consiste de telas de algodón y sintéticas.
Sport Wear (Ropa deportiva)	Lavado de la ropa deportiva.



Tub Clean (Limpieza de la canasta)	Se usa para limpiar y quitar residuos y olores de la canasta. Se recomienda su uso, al menos, una vez por mes. <b>NOTA:</b> Nunca cargue ropa blanca con el programa Tub Clean (Limpieza de la canasta). Se puede dañar la ropa a lavar. Consulte la sección Cuidado y limpieza.
Rinse&Spin (Enjuague y centrifugado)	Para enjuagar rápidamente y centrifugar cualquier artículo en cualquier momento. Para ejecutar Drain +Spin (Desagüe +Centrifugado), deseccione la opción Extra Rinse (Enjuague extra).

<p><b>3</b> <b>SoilLevel (Nivel de suciedad)</b></p>	<p>Cambie el nivel de <b>suciedad</b> para aumentar o disminuir el tiempo de lavado para eliminar diferentes cantidades de suciedad.</p>	<p>Para cambiar el nivel de <b>suciedad</b>, oprima el botón Soil level (Nivel de <b>suciedad</b>) hasta alcanzar la configuración deseada. Puede elegir entre los niveles de suciedad Extra Light (Extra ligera), Light (Ligera), Medium (Media), Heavy (Intensa) o Extra Heavy (Muy intensa).</p>
<p><b>4</b> <b>WashTemp (Temperatura de lavado)</b></p>	<p>Ajuste para seleccionar la temperatura principal del agua adecuada para el ciclo de lavado. El agua del enjuague de PreWash (Prelavado) siempre está fría para ayudar a disminuir el consumo de energía y reducir el marcado de manchas y arrugas.</p> <p>Cuando seleccione la temperatura de lavado, siga las instrucciones del fabricante de la tela que se encuentran en la etiqueta de cuidado.</p>	<p>Para cambiar la temperatura de lavado, oprima el botón Temp (Temperatura) hasta alcanzar el ajuste deseado. Puede elegir entre Tap Cold (Fría de grifo), Eco Warm (Tibia ecológica), Warm (Tibia), Hot (Caliente) o Extra Hot (Muy caliente).</p> <p>Por diseño, para proteger las telas, no todas las temperaturas de lavado están disponibles para determinados ciclos de lavado.</p>

**5 SpinSpeed (Velocidad de centrifugado)**

Cambiar la velocidad de **centrifugado** (Spin speed) modifica la velocidad de **centrifugado** final de los ciclos. Siempre guíese por la etiqueta de cuidado del fabricante de la prenda cuando cambie la velocidad de centrifugado.

Para cambiar la velocidad de **centrifugado**, oprima el botón Spin Speed (Velocidad de **centrifugado**) hasta alcanzar el ajuste deseado. Puede elegir entre No Spin (Sin centrifugado), Low (Bajo), Medium (Medio), High (Alto) o Extra High (Muy alto). Las velocidades de centrifugado más altas no están disponibles en ciertos ciclos como Delicates (Prendas delicadas). Las velocidades de centrifugado más altas eliminan más agua de las prendas y ayudan a disminuir el tiempo de secado, pero también aumentan las probabilidades de dejar arrugas en algunas telas.

**6 Steam (Vapor)**

La opción Steam (**Vapor**) agrega vapor dentro de la lavadora para ayudar a aflojar las manchas en los ciclos de Normal/Colors, Bulky/Sheets, Heavy Duty, Whites, Towels, Sanitize or Hand Wash cycle.

Para usar:

1. Encienda la energía (ON) y seleccione un ciclo de lavado.
2. Seleccione el botón Add **Steam** (Agregar vapor) para activar el vapor.
3. Oprima el botón de Start/Pause (Inicio/Pausa).

**7 Signal (Señal)**

Use la tecla **Signal (Señal)** para cambiar el volumen de la señal de finalización del ciclo.

Oprima la tecla hasta alcanzar el volumen deseado.

---

**8** **Water-Plus (Agua adicional)**

Aumentar el nivel de agua del lavado principal.

Para usar:

1. Encienda la energía (ON) y seleccione un ciclo de lavado.
2. Seleccione el botón **Add Water-Plus (Agregar agua adicional)** para activar el agua adicional.
3. Oprima el botón de Start/Pause (Inicio/Pausa).

---

**9** **Speed Wash (Lavado rápido)**

Esta opción reduce el tiempo general del ciclo de la lavadora mediante la optimización de las acciones de lavado, enjuague y centrifugado, o elevando apenas la temperatura del agua para que las prendas se limpien más rápido. La opción está disponible en los ciclos Normal, Whites (Ropa blanca), Towels/Sheets (Toallas/Sábanas), Delicates (Prendas delicadas), Bulky Items (Artículos voluminosos) y Active Wear (Ropa deportiva). El tiempo total de lavado variará según el ciclo elegido y las opciones seleccionadas.

Para usar:

1. Encienda el aparato y seleccione un ciclo de lavado que ofrezca la opción Time Saver (Ahorrar tiempo).
2. Haga los ajustes deseados en Soil (Suciedad), Temp (Temperatura) y Spin (Centrifugado).
3. Oprima el botón Time Saver (Ahorrar tiempo) para reducir la duración general del lavado.
4. Oprima el botón de Start/Pause (Inicio/Pausa).

---

**10** **Extra Rinse (Enjuague extra)**

Esta opción permite un **enjuague extra** durante un ciclo para eliminar el exceso de suciedad y detergente de las cargas sucias.

Para tener un ciclo de desagote y centrifugado, oprima el botón **Extra Rinse (Enjuague extra)** hasta que la luz se apague.

---

## 11 Pre-Wash (Prelavado)

**PreWash (Prelavado)** es un lavado adicional antes del lavado principal. Se usa para prendas muy sucias o para prendas cuya etiqueta de cuidado recomiende un **prelavado** antes de lavar. Asegúrese de agregar detergente líquido o en polvo de alta eficiencia o el aditivo de lavado adecuado en el dispensador de prelavado.

Antes de oprimir Start (Inicio), se debe seleccionar **PreWash (Prelavado)**. La función **PreWash (Prelavado)** llenará la lavadora con agua fría (agregando el detergente de prelavado), hará girar las prendas, desagotará y centrifugará. Luego, la lavadora ejecutará el ciclo de lavado seleccionado.

## 12 Extra Rinse and Pre Wash

Control Lock/Hold for 3 sec

### (Enjuague extra y prelavado)

Puede bloquear los controles para evitar que se realicen selecciones. O puede bloquear o desbloquear los controles después de haber iniciado un ciclo.

Los niños no pueden encender accidentalmente la lavadora al tocar los botones con esto.

Para bloquear la lavadora, mantenga presionados los botones **Enjuague extra y prelavado** durante 3 segundos.

Para desbloquear los controles de la lavadora, mantenga presionados los botones **Extra Rinse y Pre-Wash** durante 3 segundos.

**NOTA:** El botón de **Encendido** todavía se puede usar cuando la máquina está bloqueada.

## 13 My Cycle (Mi ciclo)

Para guardar un ciclo de lavado favorito, aplique la configuración deseada para el ciclo de lavado, nivel de suciedad, velocidad de centrifugado y temperatura de lavado y mantenga presionado el botón My Cycle (Mi ciclo) durante 3 segundos; un pitido le indicará que el ciclo se ha guardado.

Para usar su ciclo personalizado, oprima el botón **My Cycle (Mi ciclo)** antes de lavar una carga.

Para cambiar el ciclo guardado, fije la configuración deseada y mantenga presionado el botón **My Cycle (Mi ciclo)** durante 3 segundos.

**NOTA:** Cuando use **My Cycle (Mi ciclo)**, las opciones de lavado no se pueden cambiar una vez que el ciclo ha empezado.

**NOTA:** Si cambia las opciones de lavado con **My Cycle (Mi ciclo)** antes de empezar el ciclo, la luz de **My Cycle (Mi ciclo)** se apagará y volverá al ciclo básico.

**14 Delay  
(Diferimiento)**

Se puede diferir el inicio de un ciclo de lavado hasta 24 horas. Oprima el botón **Delay Wash (Diferimiento de lavado)** para elegir el tiempo que desea diferir el inicio del ciclo de lavado. Una vez que alcanza el tiempo deseado, oprima el botón Start (Inicio). La máquina hará una cuenta regresiva y arrancará automáticamente en el tiempo indicado.

**NOTA:** Si se olvida de cerrar bien la puerta, una señal sonará para recordarle que lo haga.

**NOTA:** Si abre la puerta durante la cuenta regresiva, la máquina entrará en pausa. Para reiniciar la cuenta regresiva, debe cerrar la puerta y volver a pulsar Start (Inicio).

**15 Display  
(Pantalla)**

En la pantalla, se muestra el tiempo aproximado que resta hasta el fin del ciclo.

**NOTA:** La presión del agua de su casa y el equilibrio de la carga en la lavadora afectan el tiempo del ciclo. Tal vez vea que el tiempo restante de la pantalla aumenta para ajustarse a una velocidad de centrifugado menor para manejar las cargas desequilibradas.

También se muestra el estado del ciclo, además de algunas características como Delay Wash (Diferimiento de lavado) o Steam (Vapor), lo que indica que se los han seleccionado.

**A Pantalla:**

Wash Time	Delay Time
1:25	2h
Speed	Error
100	E30
End	Temp
End	30



**B Wi-Fi** (en algunos modelos)

**C Tiempo de diferimiento restante**

**D Control de bloqueo**

**E Bloqueo de puerta**

16



Pause/Add a Garment

### (agregar prendas)

Presione para iniciar un ciclo de lavado. Si la lavadora está funcionando, presionarla una vez hará que la lavadora se detenga. Presione nuevamente para reiniciar el ciclo de lavado.

Si desea agregar una prenda, mantenga presionada la tecla Inicio / Pausa durante 3 segundos. La lavadora desbloqueará la puerta. Presione nuevamente para reiniciar el ciclo.

**NOTA:** En algunos ciclos, la lavadora se drenará primero y luego desbloqueará la puerta cuando esté en pausa.

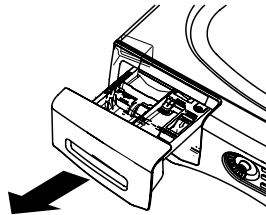
**NOTA:** La lavadora realiza comprobaciones automáticas del sistema después de presionar el botón de **Inicio**. El agua fluirá en 45 segundos o menos. Es posible que escuche el bloqueo de la puerta y se desbloquee antes de que fluya el agua; esto es normal.

## CARACTERÍSTICAS

### GAVETA DE DISPENSADORES

Abra lentamente la gaveta de dispensadores, jale hacia afuera hasta que se detenga.

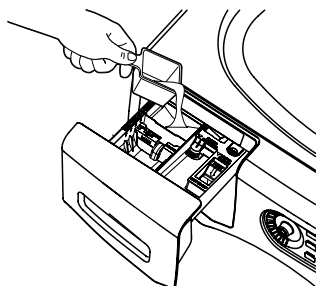
Después de agregar los productos de lavado, cierre lentamente la gaveta de dispensadores. Si lo cierra demasiado rápido, podría suceder que se dispense demasiado temprano el blanqueador, el suavizante o el detergente.



Tal vez vea agua en la gaveta de dispensadores al final del ciclo. Esto se debe a la acción de descarga/sifón y es parte del funcionamiento normal de la lavadora.

## Compartimento de prelavado

- Solo use el compartimento de prelavado si selecciona el ciclo de Prewash (Prelavado) para prendas muy sucias. Agregue detergente o aditivo de prelavado en la parte posterior izquierda del compartimento de prelavado de la gaveta de dispensadores.



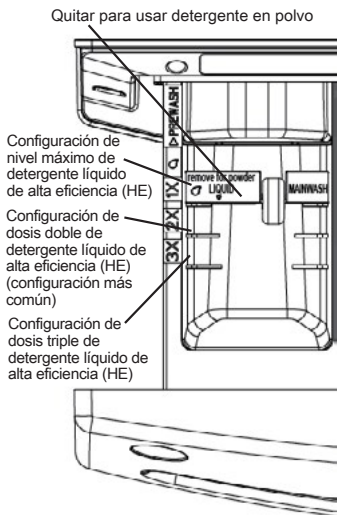
- El detergente o el aditivo de prelavado se descargan desde el dispensador en el ciclo de prelavado (si se lo ha seleccionado).

**NOTA:** El detergente líquido se escurrirá dentro del tambor de la lavadora a medida que se agrega.

- Tal vez se deba ajustar el uso de detergente según la temperatura o la dureza del agua, el tamaño y el nivel de suciedad de la carga. Evite usar demasiado detergente en su lavadora, ya que puede causar un exceso de espuma y dejar residuos de detergente en las prendas.

## Compartimento de detergente

- **Esta lavadora requiere detergente de alta eficiencia (HE). Use la cantidad de detergente recomendada por el fabricante.**
- Agregue detergente medido en la parte delantera izquierda del compartimento de detergente de la gaveta de dispensadores.

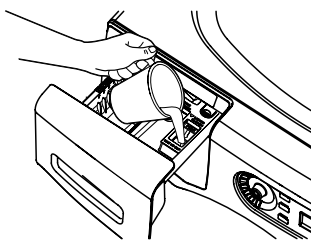


- El detergente se descarga desde el dispensador al principio del ciclo de lavado. Se puede usar detergente en polvo o líquido.
- Detergente en polvo: Quite el inserto de selección de Detergent (Detergente) y colóquelo en un lugar seguro fuera de la lavadora. Cuando mida la cantidad de polvo a usar, siga las instrucciones del fabricante del detergente.
- Tal vez se deba ajustar el uso de detergente según la temperatura o la dureza del agua, el tamaño y el nivel de suciedad de la carga. Evite usar demasiado detergente en su lavadora ya que puede causar un exceso de espuma y dejar residuos de detergente en las prendas.
- Usar más detergente que la cantidad recomendada puede hacer que se acumulen residuos en la lavadora.
- Detergente líquido: Localice la concentración de su detergente en el envase. Coloque el inserto de selección de Detergent (Detergente) en el lugar correspondiente según la concentración.

### Compartimento de líquido blanqueador

**IMPORTANTE:** Asegúrese de identificar el compartimento correcto para el blanqueador antes de usarlo.

Si lo desea, mida la cantidad recomendada de líquido blanqueador, sin superar  $\frac{1}{3}$  de taza (80 ml), y viértalo dentro del compartimento de la derecha etiquetado "LIQUID BLEACH" (Líquido blanqueador).



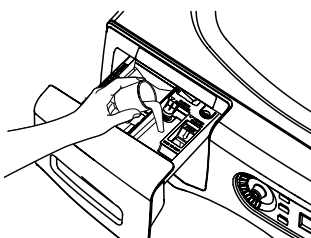
No supere la línea de llenado máximo. Llenarlo en exceso puede provocar la descarga temprana del blanqueador, lo que podría dañar las prendas.

**NOTA:** No use blanqueador en polvo en el dispensador.

### Compartimento de suavizante

**IMPORTANTE:** Asegúrese de identificar el compartimento correcto para el suavizante antes de usarlo.

Si lo desea, vierta la cantidad recomendada de suavizante líquido dentro del compartimento etiquetado "FABRIC SOFTENER" (Suavizante).





Solo use suavizante líquido en el dispensador.

Diluya con agua hasta la línea de llenado máximo.

No supere la línea de llenado máximo. Llenarlo en exceso puede provocar la descarga temprana del suavizante, lo que podría manchar las prendas.

**NOTA:** No vierta el suavizante directamente sobre la carga de lavado.

## CARGAR Y USAR LA LAVADORA

**Cuando lave, siempre siga las instrucciones de la etiqueta de cuidado del fabricante de la tela.**

### CLASIFIQUE LAS CARGAS DE LAVADO

Clasifique las prendas en cargas según las que se puedan lavar juntas.

COLORS	SUCIEDAD	TELA	PELUSA
Blancos	Intensa	Prendas delicadas	Deja pelusa
Claros	Normal	Cuidado fácil	Junta pelusa
Oscuros	Ligera	Algodones resistentes	

- Combine artículos grandes y pequeños en una carga. Cargue primero los artículos grandes. Los artículos grandes no deben ser más de la mitad de la carga de lavado total.
- No se recomienda lavar artículos de a uno. Esto puede hacer que la carga sea desequilibrada. Agregue uno o dos artículos similares.
- No se deben mezclar almohadas y colchas con otros artículos. Esto puede hacer que la carga sea desequilibrada.

### ADVERTENCIA



#### **Peligro de Incendio**

- Nunca coloque en la lavadora artículos que estén humedecidos con gasolina o cualquier otro líquido inflamable.
- Ninguna lavadora puede eliminar completamente el aceite.
- No seque ningún artículo que haya tenido alguna vez cualquier tipo de aceite (incluyendo aceites de cocina).
- No seguir estas instrucciones puede ocasionar la muerte, explosión o incendio.

## PREPARACIÓN DE LAS PRENDAS

### Para evitar enganches durante el lavado:

Siga los pasos para optimizar el cuidado de las prendas.

- Cierre las cremalleras, broches, botones y ganchos.
- Repare las costuras, los dobladillos y los desgarros.
- Vacíe los bolsillos por completo.
- Quite los accesorios no lavables de las prendas, como adornos y materiales de tapicería que no se pueden lavar.
- Para evitar enredos, ate los cordones, ajuste los nudos y los materiales similares a cinturones.
- Cepille la suciedad y la pelusa superficiales.
- Lave rápidamente las prendas mojadas o manchadas para optimizar los resultados.
- Use bolsas de malla de nylon para lavar los artículos pequeños.
- Lave muchas prendas de una sola vez para obtener mejores resultados.

## CARGA DE LA LAVADORA

El tambor de lavado se debe cargar por completo con artículos colocados de forma holgada. No lave telas que contengan materiales inflamables (ceras, líquidos limpiadores, etc.).

Para agregar artículos una vez que la lavadora haya comenzado, oprima Start (Inicio) y espere hasta que se desbloquee la puerta. La lavadora puede tardar hasta 30 segundos para destrabar la puerta después de oprimir Start (Inicio), según las condiciones de la máquina. No intente forzar la puerta para abrirla cuando esté bloqueada. Una vez desbloqueada, abra la puerta con suavidad. Agregue los artículos, cierre la puerta y oprima Start (Inicio) para reiniciar.

## CUIDADO DE LA LAVADORA

### LIMPIEZA

#### EXTERIOR

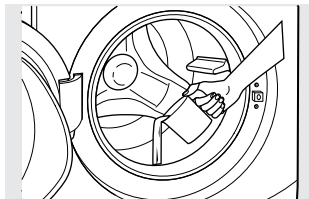
Limpe cualquier derrame de inmediato. Use un paño húmedo. No golpee la superficie con objetos punzantes.

#### INTERIOR

Para limpiar el interior de la lavadora, seleccione la función Tub Clean (Limpieza de la canasta) en el panel de control. Este ciclo de Tub Clean (Limpieza de la canasta) se debe realizar, al menos, una vez por mes. Este ciclo usa más agua, además de blanqueador, para controlar el ritmo al que la suciedad y los detergentes se pueden acumular en su lavadora.

**NOTA:** Lea completamente las instrucciones a continuación antes de iniciar el ciclo Tub Clean (Limpieza de la canasta).

1. Retire cualquier prenda u objeto que esté dentro de la lavadora y asegúrese de que la canasta de la lavadora esté vacía.
2. Abra la puerta de la lavadora y vierta una taza o 250 ml de líquido blanqueador u otro limpiador de lavadoras dentro de la canasta.



3. Cierre la puerta y seleccione el ciclo Tub Clean (Limpieza de la canasta). Oprima el botón Start (Inicio).
4. Mientras el ciclo Tub Clean (Limpieza de la canasta) esté funcionando, la pantalla mostrará el tiempo estimado que falta para completar el ciclo. El ciclo se completará en unos 90 minutos. No interrumpa el ciclo.
5. Una vez completado el ciclo, deje la puerta apenas abierta para una mejor ventilación.

Si, por algún motivo, se debe interrumpir el ciclo, la puerta no se abrirá de inmediato. Forzar la apertura de la puerta en esta etapa puede hacer que se derrame agua. La puerta se abrirá después de que se drene el agua hasta un nivel que no se derrame en el piso.

El ciclo Tub Clean (Limpieza de la canasta) se puede interrumpir oprimiendo el botón Start (Inicio) entre ciclos. El ciclo también puede interrumpirse debido a un corte de energía en la casa. Cuando se restaura el suministro de energía, el ciclo Tub Clean (Limpieza de la canasta) se reanudará donde se había detenido. Una vez interrumpido, asegúrese de ejecutar un ciclo Tub Clean (Limpieza de la canasta) completo antes de usar la lavadora. Si el botón de encendido se oprime durante el ciclo Tub Clean (Limpieza de la canasta), este se perderá.

### **IMPORTANTE:**

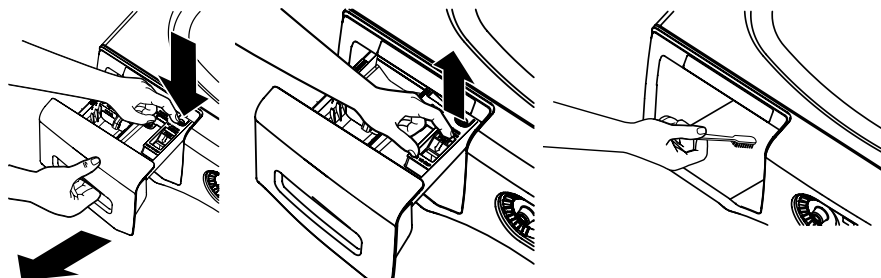
- Ejecute el ciclo Tub Clean (Limpieza de la canasta) con 1 taza (250 ml) de blanqueador una vez por mes.
- Una vez completado el ciclo Tub Clean (Limpieza de la canasta), el interior de su lavadora podría oler a blanqueador.
- Se recomienda que lave una carga de colores claros después del ciclo Tub Clean (Limpieza de la canasta).

## ÁREA DE LA GAVETA DE DISPENSADORES

El detergente y el suavizante se pueden acumular en la gaveta de dispensadores. Los residuos se deben eliminar una o dos veces por mes.

La lengüeta de bloqueo solo es visible cuando se abre la gaveta.

Para retirar la gaveta, primero júela hacia afuera hasta el tope. Luego, introduzca la mano en la esquina posterior derecha de la cavidad de la gaveta y presione firmemente hacia abajo en la lengüeta de bloqueo, jalando de la gaveta hacia afuera.

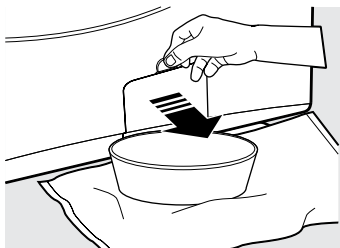


## LIMPIEZA DEL FILTRO DE LA BOMBA

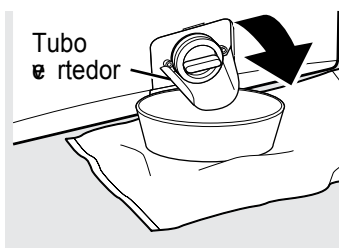
Debido a la naturaleza de la lavadora de carga frontal, a veces es posible que algunos artículos pequeños pasen a la bomba. La lavadora tiene un filtro para atrapar los artículos perdidos para que no se vayan por el desagüe. Para recuperar los artículos perdidos, limpie el filtro de la bomba.



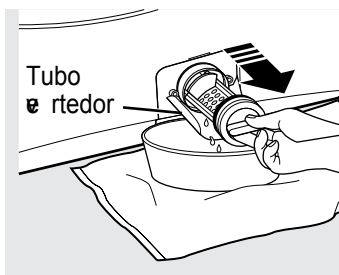
1. Para abrir la puerta de acceso, introduzca una moneda o un destornillador plano en la ranura de la puerta.



2. Coloque una charola plana o un plato debajo de la puerta de acceso a la bomba y algunas toallas en el piso, delante de la lavadora, para proteger el piso. Al sacar el filtro, es normal que salga alrededor de una taza de agua.
3. Empuje hacia abajo el tubo vertedor.

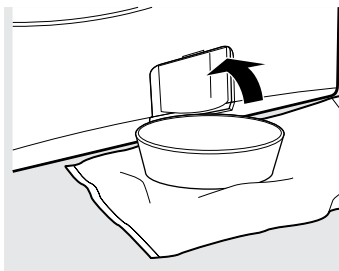


4. Gire el filtro de la bomba hacia la izquierda y quite el filtro. Abra lentamente para permitir que salga el agua.



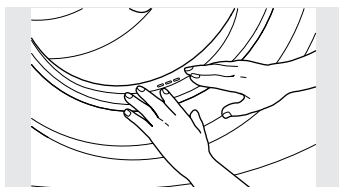
5. Limpie los residuos del filtro.
6. Vuelva a colocar el filtro girándolo hacia la derecha. Ajuste bien.
7. Doble hacia arriba el tubo vertedor.

8. Cierre la puerta de acceso.

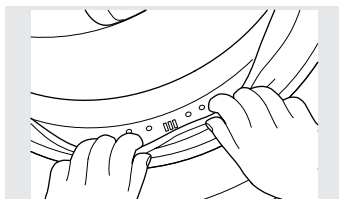


## LIMPIEZA DE LA JUNTA DE LA PUERTA

1. Abra la puerta de la lavadora. Presione hacia abajo la junta de la puerta con ambas manos. Retire todos los objetos extraños que estén atrapados dentro de la junta. Asegúrese de que no quede nada que bloquee los orificios debajo de la junta.



2. Mientras presiona hacia abajo la junta de la puerta, inspeccione el interior de la junta empujándola hacia abajo con los dedos. Retire todos los objetos extraños que estén atrapados dentro de esta junta. Asegúrese de que no quede nada que bloquee los orificios debajo de la junta.



3. Cuando haya terminado de limpiar la junta de la puerta, quite las manos y la junta volverá a la posición de funcionamiento.

## MUDANZAS, ALMACENAMIENTO Y VACACIONES LARGAS

Traslado y guardado: Solicite al servicio técnico que quite el agua de la bomba de drenaje y mangueras. No guarde la lavadora en lugares donde quede expuesta a la intemperie. Cuando mueva la lavadora, la tina se debe inmovilizar con los pernos de envío que se quitaron durante la instalación. Consulte las Instrucciones de instalación, en este manual.

Asegúrese de cerrar el suministro de agua en los grifos. Drene toda el agua de las mangueras si el clima alcanzará temperaturas inferiores al punto de congelación.

## ANTES DE SOLICITAR SERVICIO TÉCNICO...

Consejos para solucionar problemas

¡Ahorre tiempo y dinero! Revise primero los cuadros de las páginas a continuación y tal vez no necesite solicitar servicio técnico.

Problema	Causa posible	Qué hacer
<b>No desagota No centrifuga No agita</b>	<b>La carga no está equilibrada</b>	<ul style="list-style-type: none"> <li>• Redistribuya las prendas y ejecute un ciclo de desagote y centrifugado o de enjuague y centrifugado.</li> <li>• Aumente el tamaño de la carga si está lavando una carga pequeña de artículos pesados y livianos.</li> </ul>
	<b>Bomba obstruida</b>	<ul style="list-style-type: none"> <li>• Consulte en la página 28 cómo limpiar el filtro de la bomba.</li> </ul>
	<b>La manguera de desagüe está retorcida o mal conectada</b>	<ul style="list-style-type: none"> <li>• Enderece la manguera de desagüe y asegúrese de que la lavadora no la esté apretando.</li> </ul>
	<b>El drenaje de la casa puede estar obstruido</b>	<ul style="list-style-type: none"> <li>• Revise la cañería de la casa. Tal vez deba llamar a un plomero.</li> </ul>
	<b>Efecto de sifón en la manguera de desagüe; la manguera de desagüe está demasiado abajo del desagüe</b>	<ul style="list-style-type: none"> <li>• Asegúrese de que haya una separación de aire entre la manguera y el desagüe.</li> </ul>

Problema	Causa posible	Qué hacer
<b>Fuga de agua</b>	<b>La junta de la puerta está dañada</b>	<ul style="list-style-type: none"> <li>• Revise que la junta esté calzada y no rota. Los objetos que quedan en los bolsillos pueden dañar la lavadora (clavos, tornillos, plumas, lápices).</li> </ul>
	<b>La junta de la puerta no está dañada</b>	<ul style="list-style-type: none"> <li>• Puede chorrear algo de agua por la puerta cuando esta se abre. Esto es normal.</li> <li>• Limpie con cuidado el sello de goma de la puerta. A veces, queda suciedad o ropa dentro de este sello y eso puede causar una pequeña fuga.</li> </ul>
	<b>Revise la parte posterior izquierda de la lavadora</b>	<ul style="list-style-type: none"> <li>• Si esta parte está mojada, hay exceso de espuma. Use menos detergente.</li> </ul>
	<b>Las mangueras de llenado o la manguera de desagüe están mal conectadas</b>	<ul style="list-style-type: none"> <li>• Asegúrese de que las conexiones de las mangueras estén apretadas en la lavadora y en los grifos y asegúrese de que el extremo de la manguera de desagüe esté bien insertado y firme en el drenaje.</li> </ul>
	<b>El drenaje de la casa puede estar obstruido</b>	<ul style="list-style-type: none"> <li>• Revise la cañería de la casa. Tal vez deba llamar a un plomero.</li> </ul>
	<b>Dispensador obstruido</b>	<ul style="list-style-type: none"> <li>• El jabón en polvo puede producir obstrucciones dentro del dispensador y hacer que salga agua por el frente del dispensador. Retire la gaveta; limpie esta y el interior de la caja del dispensador. Consulte la sección Limpieza de la lavadora.</li> </ul>
	<b>Uso incorrecto del detergente</b> <b>Fisura en la caja del dispensador</b>	<ul style="list-style-type: none"> <li>• Use la cantidad adecuada de detergente HE.</li> <li>• Si la instalación es nueva, revise si hay fisuras en el interior de la caja del dispensador.</li> </ul>



Problema	Causa posible	Qué hacer
<b>Prendas demasiado mojadas</b>	<p><b>La carga no está equilibrada</b></p> <p><b>Bomba obstruida</b></p> <p><b>Sobrecarga</b></p> <p><b>La manguera de desagüe está retorcida o mal conectada</b></p> <p><b>El drenaje de la casa puede estar obstruido</b></p> <p><b>Efecto de sifón en la manguera de desagüe; la manguera de desagüe está demasiado abajo del desagüe</b></p>	<ul style="list-style-type: none"> <li>• Redistribuya las prendas y ejecute un ciclo de desagote y centrifugado o de enjuague y centrifugado.</li> <li>• Aumente el tamaño de la carga si está lavando una carga pequeña de artículos pesados y livianos.</li> <li>• La máquina reducirá la velocidad de centrifugado a 400 rpm si le cuesta equilibrar la carga. Esta velocidad es normal.</li> <li>• Consulte en la página 28 cómo limpiar el filtro de la bomba.</li> <li>• El peso seco de la carga no debe superar las 22 lb (10 kg).</li> <li>• Enderece la manguera de desagüe y asegúrese de que la lavadora no la esté apretando.</li> <li>• Revise la cañería de la casa. Tal vez deba llamar a un plomero.</li> <li>• Asegúrese de que haya una separación de aire entre la manguera y el desagüe.</li> </ul>
<b>Ciclo incompleto o el temporizador no avanza</b>	<p><b>Redistribución automática de la carga</b></p> <p><b>Bomba obstruida</b></p> <p><b>La manguera de desagüe está retorcida o mal conectada</b></p>	<ul style="list-style-type: none"> <li>• El temporizador agrega 3 minutos al ciclo por cada redistribución para equilibrar. Se pueden hacer de 11 a 15 redistribuciones para equilibrar. Esto es normal. No haga nada, la máquina terminará el ciclo de lavado.</li> <li>• Consulte en la página 28 cómo limpiar el filtro de la bomba.</li> <li>• Enderece la manguera y asegúrese de que la lavadora no la esté apretando.</li> </ul>

Problema	Causa posible	Qué hacer
	<p><b>El drenaje de la casa puede estar obstruido</b></p> <p><b>Efecto de sifón en la manguera de desagüe; la manguera de desagüe está demasiado abajo del desagüe</b></p>	<ul style="list-style-type: none"> <li>• Revise la cañería de la casa. Tal vez deba llamar a un plomero.</li> <li>• Asegúrese de que haya una separación de aire entre la manguera y el desagüe.</li> </ul>
<p><b>Ruido alto o inusual; vibración o sacudidas</b></p>	<p><b>El gabinete se mueve</b></p> <p><b>Alguna de las patas niveladoras de goma no está firmemente apoyada en el piso</b></p> <p><b>Carga desequilibrada</b></p> <p><b>Bomba obstruida</b></p>	<ul style="list-style-type: none"> <li>• La lavadora está diseñada para moverse ¼" (0,64 cm) para reducir las fuerzas que transmite al suelo. Este movimiento es normal.</li> <li>• Empuje y jale de la parte posterior derecha y luego de la parte posterior izquierda de su lavadora para verificar si está nivelada. Si la lavadora no está nivelada, ajuste las patas niveladoras de goma para que se apoyen firmemente en el piso y queden aseguradas en su lugar. Su instalador debería corregir este problema.</li> <li>• Abra la puerta y redistribuya la carga con la mano. Para verificar la máquina, ejecute un ciclo de enjuague y centrifugado sin carga. Si funciona con normalidad, el desequilibrio se debía a la carga.</li> <li>• Consulte en la página 28 cómo limpiar el filtro de la bomba.</li> </ul>

<b>Problema</b>	<b>Causa posible</b>	<b>Qué hacer</b>
<b>Sin energía/ la lavadora no funciona o está muerta</b>	<p><b>La lavadora está desenchufada</b></p> <p><b>La lavadora está desenchufada</b></p> <p><b>Se disparó el disyuntor o se fundió un fusible</b></p> <p><b>Autocontroles de sistema automáticos</b></p>	<ul style="list-style-type: none"> <li>• Asegúrese de que el cable de energía esté enchufado firmemente en un tomacorriente que funcione.</li> <li>• Abra completamente el grifo de agua fría.</li> <li>• Revise los disyuntores/ fusibles de la casa. Reemplace los fusibles o restablezca el disyuntor. La lavadora debe tener un tomacorriente separado.</li> <li>• La primera vez que se conecta la lavadora se hace una verificación automática. Puede tardar hasta 20 segundos antes de que pueda usar la lavadora. Esto es normal.</li> </ul>
<b>Enganches, orificios, desgarros, roturas o desgaste excesivo</b>	<p><b>Sobrecarga</b></p> <p><b>Plumas, lápices, clavos, tornillos u otros objetos olvidados dentro de los bolsillos</b></p> <p><b>Alfileres, broches, ganchos, botones afilados, hebillas de cinturón, cremalleras y objetos afilados olvidados en los bolsillos</b></p>	<ul style="list-style-type: none"> <li>• El peso seco de la carga no debe superar las 22 lb (10 kg).</li> <li>• Quite todos los artículos sueltos de los bolsillos.</li> <li>• Asegure los broches, ganchos, botones y cremalleras.</li> </ul>
<b>Errores o cambios en el tiempo de control</b>	<b>Esto es normal</b>	<ul style="list-style-type: none"> <li>• A veces, durante el centrifugado, la lavadora puede necesitar volver a equilibrar la carga para reducir las vibraciones. Cuando esto sucede, el tiempo estimado se incrementa, lo que hace que el tiempo restante aumente o salte.</li> </ul>
<b>No hay agua suficiente</b>	<b>Esto es normal</b>	<ul style="list-style-type: none"> <li>• Las lavadoras de carga frontal no requieren que la tina se llene con agua, como las lavadoras de carga superior.</li> </ul>

Problema	Causa posible	Qué hacer
<b>La lavadora hace una pausa o se debe reiniciar, o la puerta de la lavadora está bloqueada y no se abre</b>	<b>Bomba obstruida</b>	<ul style="list-style-type: none"> <li>• Consulte en la página 28 cómo limpiar el filtro de la bomba.</li> </ul>
<b>La puerta se desbloquea o, al oprimir Start (Inicio), la máquina no funciona</b>	<p><b>Esto es normal</b></p> <p><b>Funcionamiento incorrecto</b></p>	<ul style="list-style-type: none"> <li>• Las lavadoras de carga frontal arrancan de manera diferente que las lavadoras de carga superior, y necesitan 30 segundos para verificar el sistema. La puerta se bloqueará y desbloqueará.</li> <li>• Simplemente abra y cierre la puerta con firmeza, luego oprima Start (Inicio).</li> </ul>
<b>El agua no ingresa a la lavadora o ingresa con lentitud</b>	<p><b>Autocontroles de sistema automáticos</b></p> <p><b>El suministro de agua está cerrado</b></p> <p><b>Los filtros de malla de la válvula de agua están bloqueados</b></p>	<ul style="list-style-type: none"> <li>• Después de oprimir Start (Inicio), la lavadora realiza varios controles de sistema. El agua comenzará a fluir 60 segundos después de oprimir Start (Inicio).</li> <li>• Abra por completo el grifo de agua fría.</li> <li>• Cierre la fuente de agua y retire las mangueras de conexión de agua de la parte posterior superior de la lavadora. Limpie los filtros de malla de la máquina con un cepillo o un mondadientes. Vuelva a conectar la manguera y abra el suministro de agua.</li> </ul>

<b>Problema</b>	<b>Causa posible</b>	<b>Qué hacer</b>
<b>Arrugas</b>	<p><b>Clasificación inadecuada</b></p> <p><b>Sobrecarga</b></p> <p><b>Ciclo de lavado incorrecto</b></p> <p><b>Lavado repetido en agua demasiado caliente</b></p>	<ul style="list-style-type: none"> <li>• Evite mezclar artículos pesados (como prendas de trabajo) con artículos livianos (como blusas).</li> <li>• Cargue su lavadora de tal manera que las prendas tengan espacio suficiente para moverse libremente.</li> <li>• Haga coincidir la selección del ciclo con el tipo de tela que está lavando (especialmente para las cargas de cuidado fácil).</li> <li>• Lave con agua tibia o fría.</li> </ul>
<b>Prendas amarillentas o con tonalidad grisácea</b>	<p><b>Detergente insuficiente</b></p> <p><b>No está usando detergente HE (de alta eficiencia)</b></p> <p><b>Agua dura</b></p> <p><b>El detergente no se disuelve</b></p> <p><b>Transferencia de colores</b></p>	<ul style="list-style-type: none"> <li>• Use la cantidad adecuada de detergente.</li> <li>• Use detergente HE.</li> <li>• Use el agua más caliente que sea apta para la tela.</li> <li>• Use un acondicionador de agua como el de la marca Calgon o instale un ablandador de agua.</li> <li>• Pruebe con un detergente líquido.</li> <li>• Clasifique las prendas por color. Si la etiqueta de la tela indica que se debe lavar por separado, puede estar indicando que contiene tinturas inestables.</li> </ul>
<b>Manchas de color</b>	<p><b>Uso incorrecto del suavizante</b></p> <p><b>Transferencia de colores</b></p>	<ul style="list-style-type: none"> <li>• Revise las instrucciones en el paquete del suavizante y siga las instrucciones para usarlo en el dispensador.</li> <li>• Separe las prendas blancas o de colores claros de los colores oscuros.</li> <li>• Retire rápidamente las cargas de lavado de la lavadora.</li> </ul>

Problema	Causa posible	Qué hacer
<b>Pequeñas alteraciones en el color metálico</b>	<b>Esta es la apariencia normal</b>	<ul style="list-style-type: none"> <li>• Debido a las propiedades metálicas de la pintura usada en este producto exclusivo, pueden aparecer pequeñas variaciones de color debido a los ángulos de visión y las condiciones de la luz.</li> </ul>
<b>Mal olor dentro de su lavadora</b>	<b>La lavadora no se ha usado durante mucho tiempo, no se ha usado la calidad de detergente HE recomendada o se ha usado demasiado detergente</b>	<ul style="list-style-type: none"> <li>• Ejecute un ciclo Tub Clean (Limpieza de la canasta).</li> <li>• En caso de olores extraños, tal vez necesite ejecutar un ciclo Tub Clean (Limpieza de la canasta) más de una vez.</li> <li>• Use solamente la cantidad de detergente recomendada en el envase del detergente.</li> <li>• Use solamente detergente HE (de alta eficiencia).</li> <li>• Siempre retire rápidamente los artículos mojados de la lavadora cuando esta se haya detenido.</li> <li>• Deje la puerta ligeramente abierta para que se evapore el agua. Si este electrodoméstico lo usan niños o se utiliza cerca de ellos, se necesitará estrecha supervisión. No permita que los niños jueguen con este electrodoméstico ni con ningún otro, sobre estos ni dentro de estos.</li> </ul>
<b>Fuga de detergente</b>	<b>Colocación incorrecta del inserto de detergente</b>	<p>Asegúrese de que el inserto de detergente esté correctamente ubicado y completamente asentado. Nunca ponga una cantidad de detergente que supere la línea de nivel máximo.</p>

Problema	Causa posible	Qué hacer
<b>Descarga inadecuada de suavizante o blanqueador</b>	<p><b>Dispensador obstruido</b></p> <p><b>El suavizante o el blanqueador superan la línea de nivel máximo</b></p> <p><b>Problemas con la tapa del suavizante o blanqueador</b></p>	<p>Limpie la gaveta de dispensadores una vez al mes para eliminar la acumulación de sustancias químicas.</p> <p>Asegúrese de tener la cantidad correcta de suavizante o blanqueador.</p> <p>Asegúrese de que las tapas del suavizante o blanqueador para el dispensador estén asentadas o no funcionarán.</p>

## ERROR CODES

Descripción	Razón	Solución
E30	<b>La puerta no está cerrada correctamente</b>	Reinicie después de cerrar la puerta. Compruebe si la ropa está atascada.
E10	<b>Problema de inyección de agua durante el lavado.</b>	Compruebe si la presión del agua es demasiado baja. Enderece la tubería de agua. Compruebe si el filtro de la válvula de entrada está bloqueado.
E21	<b>Drenaje de agua en horas extras</b>	Compruebe si la manguera de desagüe está bloqueada.
E12	<b>Desbordamiento de agua</b>	Reinicie la lavadora.
EXX	<b>Otros</b>	Vuelva a intentarlo primero, llame a la línea de servicio si todavía hay problemas.

# **GARANTÍA LIMITADA DE LA LAVADORA DE LAVANDERÍA MIDEA**

## **ADJUNTE SU RECIBO AQUÍ. SE REQUIERE COMPROBANTE DE COMPRA PARA OBTENER UN SERVICIO DE GARANTÍA.**

Tenga a disposición la siguiente información cuando llame al Centro de servicio al cliente:

- Nombre, domicilio y número de teléfono
- Número de modelo y número de serie
- Una descripción clara y detallada del problema
- Comprobante de compra, incluido el nombre y domicilio del distribuidor o vendedor

## **SI NECESITA SERVICIO TÉCNICO:**

1. Antes de contactarnos para coordinar el servicio técnico, determine si su producto requiere reparación. Algunas preguntas pueden resolverse sin el servicio técnico. Dedique algunos minutos a revisar la sección de Solución de problemas del Manual de usuario, o visite <http://us.Midea.com/support>
2. Todo servicio técnico de garantía se provee exclusivamente por parte de prestadores de servicio técnico autorizados de Midea, en los EE. UU. y Canadá.

### **Servicio al cliente de Midea**

**En EE. UU. o Canadá, llame al 1-866-646-4332.**

Si se encuentra fuera de los 50 estados de los Estados Unidos o de Canadá, comuníquese con su distribuidor autorizado de Midea para corroborar si aplica una garantía distinta.

## **GARANTÍA LIMITADA**

### **LO QUE CUBRE**

#### **PRIMER AÑO DE GARANTÍA LIMITADA (PIEZAS Y MANO DE OBRA)**

Durante un año a partir de la fecha de compra, si este electrodoméstico se instala, opera y mantiene conforme a las instrucciones adjuntas o provistas con el producto, Midea America Corporation (en adelante, "Midea") cubrirá las piezas de repuesto especificadas de fábrica y la mano de obra de reparación para corregir defectos en los materiales o el trabajo realizado cuando se adquirió este electrodoméstico, o reemplazará el producto, a su exclusivo criterio. En caso de reemplazo del producto, su electrodoméstico quedará cubierto por la garantía por el período restante correspondiente a la garantía de la unidad original.

#### **GARANTÍA DE DIEZ AÑOS DEL MOTOR INVERSOR SOLAMENTE - MANO DE OBRA NO INCLUIDA**

Desde el segundo hasta el décimo año a partir de la fecha de compra original, cuando se instala, opera y mantiene este electrodoméstico según las instrucciones adjuntas o proporcionadas con el producto, Midea pagará las piezas de fábrica para reemplazar el motor inversor si falla y evita una función esencial de este electrodoméstico y que existía cuando se compró dicho aparato. Esta es una garantía de 10 años solo para las piezas y no incluye mano de obra por reparación.

#### **GARANTÍA LIMITADA DE POR VIDA (TINA DE ACERO INOXIDABLE)**

Para la garantía de por vida del producto desde la fecha de compra original, cuando se instale, opere o mantenga este electrodoméstico conforme a las instrucciones adjuntas o provistas con este producto, Midea cubrirá las piezas específicas de fábrica y la mano de obra para los siguientes componentes a fin de corregir los defectos no cosméticos de materiales o trabajo realizado que existían cuando se compró el electrodoméstico:

- Tina de acero inoxidable

SU ÚNICO RECURSO EXCLUSIVO CONFORME A ESTA GARANTÍA LIMITADA SERÁ LA REPARACIÓN O EL REEMPLAZO DEL PRODUCTO SEGÚN SE INDICA. El servicio técnico debe ser provisto por una empresa de servicio técnico designada por Midea. Esta garantía limitada es válida solamente en los 50 estados de los Estados Unidos o Canadá y aplica únicamente cuando el electrodoméstico se utiliza en el país en el que se adquirió. Esta garantía limitada entra en vigencia a partir de la fecha de compra original del consumidor. Se requiere comprobante de la fecha de compra original para obtener el servicio técnico conforme esta garantía.



## GARANTÍA LIMITADA

### LO QUE NO CUBRE

1. Uso comercial, no residencial o de múltiples familias, o un uso incoherente con las instrucciones de instalación, de funcionamiento o para el usuario.
2. Instrucciones en el hogar sobre cómo usar el producto.
3. Servicios para corregir un mantenimiento o instalación inadecuados, una instalación que no se adhiere a los códigos de electricidad o plomería, o la corrección de trazados eléctricos o de plomería en el domicilio (es decir, cableado, fusibles, cañerías o mangueras de entrada de agua de la vivienda).
4. Piezas consumibles (es decir, bombillas, filtros de agua o de aire, etc.).
5. Defectos o daños causados por el uso de piezas o accesorios no originales de Midea..
6. Daños a causa de accidentes, uso indebido, incendio, inundación, problemas eléctricos, actos de fuerza mayor o el uso de productos no aprobados por Midea.
7. Reparaciones a piezas o sistemas para corregir daños o defectos del producto causados por servicios técnicos no autorizados, alteraciones o modificaciones del electrodoméstico.
8. Daños cosméticos, incluidos rayones, abolladuras, astillados u otros daños al acabado del electrodoméstico, a menos que dichos daños son el resultado de defectos en los materiales o la mano de obra y se informan a Midea dentro de los 30 días de la compra.
9. Mantenimiento de rutina del producto.
10. Productos que fueron comprados “como están” o como productos restaurados.
11. Productos que han sido transferidos de su propietario original.
12. Decoloración, corrosión u oxidación de las superficies como resultado de ambientes corrosivos o cáusticos, incluidos, entre otros, aquellos con altas concentraciones de sal, altos niveles de humedad o de exposición a sustancias químicas.
13. Recogida o entrega. Este producto está destinado para la reparación en el domicilio.
14. Gastos de viaje o transporte para realizar el servicio técnico en ubicaciones remotas donde no se encuentra disponible un representante autorizado del servicio técnico de Midea.
15. Remoción o reinstalación de electrodomésticos inaccesibles o accesorios empotrados (es decir, molduras, paneles decorativos, pisos, ebanistería, islas, encimeras, mampostería, etc.) que interfieran con el servicio técnico, la remoción o el reemplazo del producto.
16. Servicio técnico o piezas para electrodomésticos cuyos números de serie/modelo originales se hayan quitado o, alterado o no puedan identificarse fácilmente.

**El costo de la reparación o reemplazo conforme a estas circunstancias excluidas correrá a cargo del cliente.**

#### EXENCIÓN DE RESPONSABILIDAD DE LAS GARANTÍAS IMPLÍCITAS

LAS GARANTÍAS IMPLÍCITAS, INCLUIDA CUALQUIER GARANTÍA IMPLÍCITA DE COMERCIABILIDAD O GARANTÍA IMPLÍCITA DE IDONEIDAD PARA UN PROPÓSITO ESPECÍFICO, SE LIMITAN A UN AÑO O EL PERÍODO MÁS BREVE PERMITIDO POR LEY. Algunos estados y provincias no permiten limitaciones a la duración de las garantías implícitas de comerciabilidad o idoneidad, de manera que esta limitación podría no aplicar para usted. Esta garantía le otorga determinados derechos legales, y usted cuenta además con otros derechos que varían según el estado o la provincia.

#### EXENCIÓN DE RESPONSABILIDAD DE LAS DECLARACIONES AJENAS A LA GARANTÍA

Midea no hace ninguna declaración respecto de la calidad, durabilidad o necesidad de servicio técnico o reparaciones para este electrodoméstico, salvo las declaraciones incluidas en esta garantía. Si desea obtener una garantía más extensa o integral que la garantía limitada que se ofrece con este electrodoméstico, consulte con Midea o su vendedor sobre la posibilidad de adquirir una garantía extendida.

#### LIMITACIÓN DE RECURSOS; EXCLUSIÓN DE RESPONSABILIDAD POR DAÑOS OCASIONALES E INDIRECTOS

SU ÚNICO RECURSO EXCLUSIVO CONFORME A ESTA GARANTÍA LIMITADA SERÁ LA REPARACIÓN DEL PRODUCTO SEGÚN SE INDICA. MIDEA NO SERÁ RESPONSABLE POR DAÑOS OCASIONALES O INDIRECTOS. Algunos estados y provincias no permiten la exclusión o limitación de responsabilidad respecto de los daños ocasionales o indirectos, de manera que esta limitación podría no aplicar para usted. Esta garantía le otorga determinados derechos legales, y usted cuenta además con otros derechos que varían según el estado o la provincia.

## PROTEJA SU PRODUCTO:

Mantendremos archivados el número de modelo y la fecha de compra de su nuevo producto Midea para ayudarlo a consultar esta información en caso de una reclamación de seguro, como incendio o robo.

Regístrese en línea en <https://us.midea.com/product-registration>

O

Por favor, complete y envíe a la siguiente dirección:

Midea America Corp. 759 Bloomfield Ave #386, West Caldwell, NJ 07006-6701

----- (separar aquí) -----

Nombre:	Modelo No.:	Serie No.:
	Tarjeta:	
Dirección:	Fecha de compra:	Nombre de la tienda/distribuidor:
Ciudad:	Estado:	Código postal:
	Dirección de correo electrónico:	
Código de área:	Número de teléfono:	Ocupación:
¿Compró una garantía adicional?:	Como su residencia principal:	
¿Cómo conoció sobre este producto?:	Edad:	Estado civil:
<input type="checkbox"/> Publicidad <input type="checkbox"/> Demostración en la tienda <input type="checkbox"/> Demostración personal		

*La información recopilada o enviada a nosotros solo está disponible para los empleados internos de la compañía con el fin de contactarle o enviarle correos electrónicos, en función de su solicitud de información, y de los proveedores de servicios de la compañía con el fin de proporcionar servicios relacionados con nuestras comunicaciones con usted. No se compartirán todos los datos con otras organizaciones, con fines comerciales.*

Por favor considere dejar un comentario del cliente en: [www.midea.com](http://www.midea.com).

Midea America Corp.  
 759 Bloomfield Ave, # 386  
 West Caldwell, NJ 07006-6701  
 Servicio al cliente 866-646-4332

Hecho en China

V2 ESPAÑOL





**make yourself at home**