

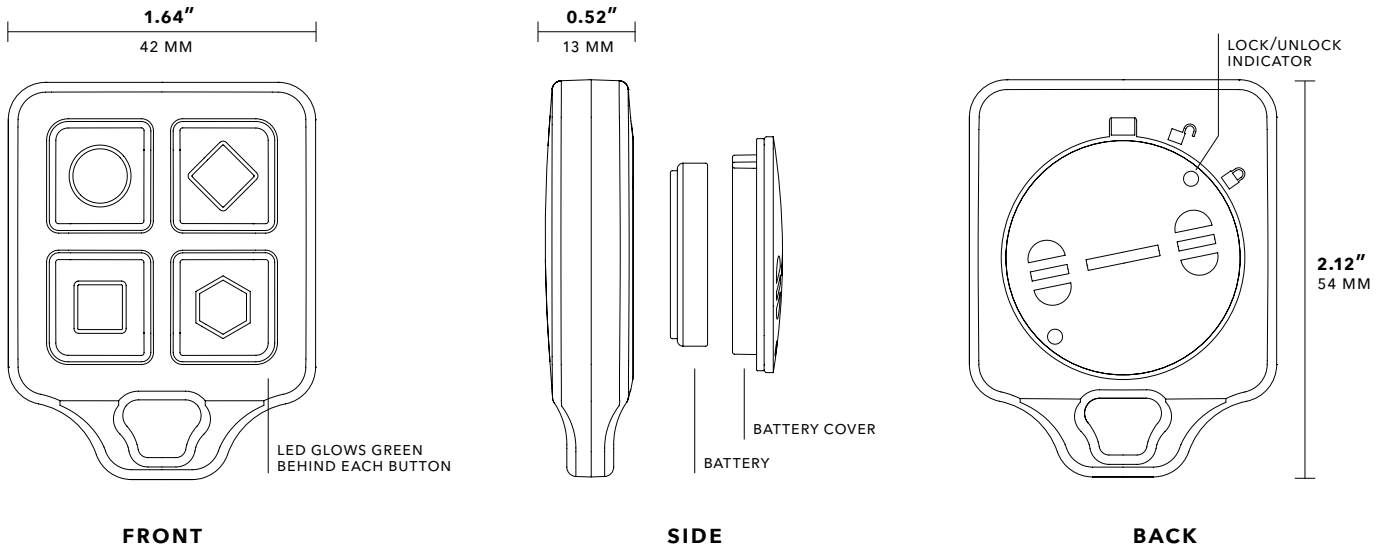
# IRIS SMART FOB

by **LOWE'S**

Iris Smart Key Fob signals the hub based on your presence, allowing you to notify loved ones and automate preferences upon arrival or departure.

LOWE'S ITEM #  
690405

MODEL  
3450-L



## KEY FEATURES

### Programmable Buttons:

Four buttons that allow users to assign unique actions like, lock doors, arm security system, turn on lights and many more.

### Notifications:

Receive alerts and trigger events based on Fob presence in your home.

### Superior Output Power & Over-the-Air Updates:

Iris Smart Key Fob supports over-the-air updates providing for seamless upgrades and feature additions without the need for any user interaction.

## GETTING STARTED

- Step 1** In the Iris by Lowe's App, select the + sign, then "Devices."
- Step 2** Insert the battery so that the plus sign is facing you.
- Step 3** Close the battery door and tighten using either your fingernails or a coin. The hub will beep when pairing is complete.

## COMPATIBILITY

The Lowe's IRIS Smart Fob is fully ZigBee HA 1.2 certified and will work with other open ZigBee HA 1.2-certified systems.

## FACTORY SETTINGS

- Circle: Security Alarm On
- Diamond: Security Alarm Off
- Square: Security Alarm Partial
- Hexagon: Chime

## USE CASE

- Lock doors when you leave home
- Know when your children come and go
- Turn on lights when you're near home

## APPROVALS (ENGLISH)

This device complies with Part 15 of the FCC rules. Operation is subject to the following two conditions:

- (1) This device may not cause harmful interference and
- (2) This device must accept any interference received, including interference that may cause undesired operation.

Conforms to FCC Part 15B  
Contains FCC ID: T3L-SS011  
IC: 12192A-SS011

Industry Canada licence-exempt RSS Standards. Operation is subject to the following two conditions: (1) This device may not cause harmful interference, and (2) This device must accept any interference received, including interference that may cause undesired operation.

Under Industry Canada regulations, this radio transmitter may only operate using an antenna of a type and maximum (or lesser) gain approved for the transmitter by Industry Canada. To reduce potential radio interference to other users, the antenna type and its gain should be so chosen that the equivalent isotropically radiated power (e.i.r.p.) is not more than that necessary for successful communication.

This equipment complies with FCC and IC radiation exposure limits set forth for an uncontrolled environment. This equipment is in direct contact with the body of the user under normal operating conditions. This transmitter must not be co-located or operating in conjunction with any other antenna or transmitter.

Changes or modifications not expressly approved by Lowes, Inc. could void the user's authority to operate the equipment.

For more information, visit [IrisByLowes.com](http://IrisByLowes.com).

## APPROVALS (FRANÇAIS)

Le présent appareil est conforme aux CNR d'Industrie Canada applicables aux appareils radio exempts de licence. L'exploitation est autorisée aux deux conditions suivantes:

- (1) l'appareil ne doit pas produire de brouillage, et
- (2) l'utilisateur de l'appareil doit accepter tout brouillage radioélectrique subi, même si le brouillage est susceptible d'en compromettre le fonctionnement.

Conformément à la réglementation d'Industrie Canada, le présent émetteur radio peut fonctionner avec une antenne d'un type et d'un gain maximal (ou inférieur) approuvé pour l'émetteur par Industrie Canada. Dans le but de réduire les risques de brouillage radioélectrique à l'intention des autres utilisateurs, il faut choisir le type d'antenne et son gain de sorte que la puissance isotrope rayonnée équivalente (p.i.r.e.) ne dépasse pas l'intensité nécessaire à l'établissement d'une communication satisfaisante.

Pour plus d'informations, visitez [IrisByLowes.com](http://IrisByLowes.com).

## TROUBLESHOOTING

### Step 1

Remove and replace battery from device. Twist the rear battery door counterclockwise using a coin. Remove battery and replace with a new CR-2450 battery. Re-assemble and test operation.

### Step 2

Remove and replace battery. Within 10 seconds, press any of the buttons five (5) times. This will factory reset the device. Repeat the "Getting Started" steps to rejoin the ZigBee network.

## FOR ADDITIONAL HELP

Check out support.[IrisByLowes.com](http://IrisByLowes.com) or call 1-855-469-IRIS (4747).

## TECHNICAL SPECIFICATIONS

### Power

Rated: 3V  
Battery: CR-2450 (1x)  
Battery Life: Up to 2 years

### Environmental

Operating Temperature: 0° to 40°C

### Shipping/Storage

Temperature: -20° to 50°C  
Humidity Range: 0 to 90% RH.  
(non-condensing)

### Approvals



### Wireless RF Protocol

Protocol: ZigBee HA 1.2  
TX Strength: +3 dBm  
RF Channels: 16  
Range: 130 ft. (40m) LOS