

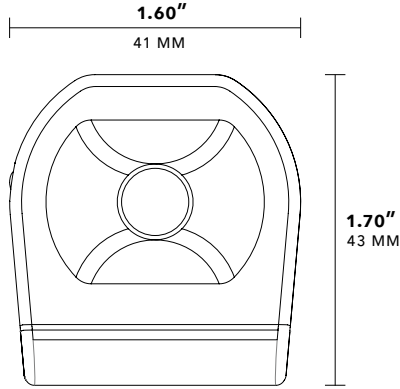


MOTION SENSOR

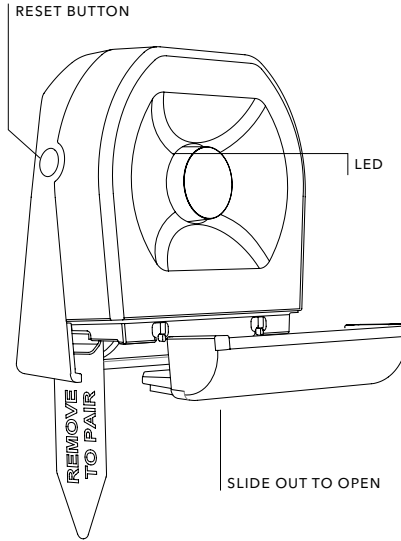
LOWE'S ITEM #
690402

MODEL
3326-L

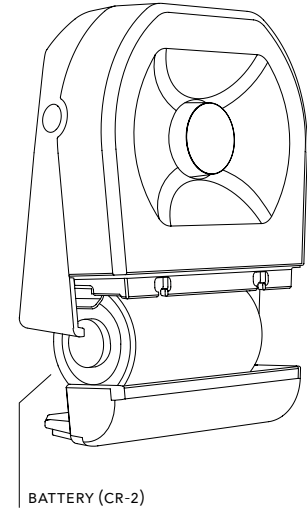
Iris Motion Sensor detects movement up to 15 feet and reads temperature, helping you monitor your home and protect your family.



FRONT
BELOW 5 FT.*



PAIRING



BATTERY

KEY FEATURES

Easy Mounting Options

The Iris Motion Sensor can be installed on a wall or in a corner using included adhesive strips.

Remove-to-Pair Join Process

All Iris sensors feature "remove-to-pair" joining. The device ships with the battery pre-installed and all that is needed to begin the joining process is to pull out a small plastic tab from the bottom of the device. There is nothing for the user to take apart or put back together.

Superior Output Power & Over-the-Air Updates:

The Iris Motion Sensor can detect motion up to 15-ft and supports over-the-air updates providing for seamless upgrades and feature additions without need for any user interaction.

GETTING STARTED

Step 1 In the Iris by Lowe's App, select the + sign and then "Devices."

Step 2 Remove the battery tab labeled "Remove to Pair". The hub will beep when pairing is complete.

MOUNTING*

The Iris Motion Sensor has 120° coverage. For best results when mounting the motion sensor:

- Below 5 feet, battery door should face down.
- Above 5 feet, battery door should face up.

USE CASE

- Save energy by turning off lights in areas that aren't being used
- Receive alerts if motion is detected while you're away
- Create custom automatic flood light and entry scenes
- Use time-based motion triggers to light a path at night

COMPATIBILITY

The Lowe's IRIS Motion Sensor is fully ZigBee HA 1.2 certified and will work with other open ZigBee HA 1.2-certified systems.

APPROVALS (ENGLISH)

This device complies with Part 15 of the FCC rules. Operation is subject to the following two conditions:

- (1) This device may not cause harmful interference and
- (2) This device must accept any interference received, including interference that may cause undesired operation.

Conforms to FCC Part 15B
Contains FCC ID: T3L-SS011
IC: 12192A-SS011

Industry Canada licence-exempt RSS Standards. Operation is subject to the following two conditions: (1) This device may not cause harmful interference, and (2) This device must accept any interference received, including interference that may cause undesired operation.

Under Industry Canada regulations, this radio transmitter may only operate using an antenna of a type and maximum (or lesser) gain approved for the transmitter by Industry Canada. To reduce potential radio interference to other users, the antenna type and its gain should be so chosen that the equivalent isotropically radiated power (e.i.r.p.) is not more than that necessary for successful communication.

This equipment complies with FCC and IC radiation exposure limits set forth for an uncontrolled environment. This equipment is in direct contact with the body of the user under normal operating conditions. This transmitter must not be co-located or operating in conjunction with any other antenna or transmitter.

Changes or modifications not expressly approved by Lowes, Inc. could void the user's authority to operate the equipment.

For more information, visit IrisByLowes.com.

APPROVALS (FRANÇAIS)

Le présent appareil est conforme aux CNR d'Industrie Canada applicables aux appareils radio exempts de licence. L'exploitation est autorisée aux deux conditions suivantes:

- (1) l'appareil ne doit pas produire de brouillage, et
- (2) l'utilisateur de l'appareil doit accepter tout brouillage radioélectrique subi, même si le brouillage est susceptible d'en compromettre le fonctionnement.

Conformément à la réglementation d'Industrie Canada, le présent émetteur radio peut fonctionner avec une antenne d'un type et d'un gain maximal (ou inférieur) approuvé pour l'émetteur par Industrie Canada. Dans le but de réduire les risques de brouillage radioélectrique à l'intention des autres utilisateurs, il faut choisir le type d'antenne et son gain de sorte que la puissance isotrope rayonnée équivalente (p.i.r.e.) ne dépasse pas l'intensité nécessaire à l'établissement d'une communication satisfaisante.

Pour plus d'informations, visitez IrisByLowes.com.

TROUBLESHOOTING

Step 1

Slide off the battery cover on the bottom of the device. Remove battery and replace with a new CR-2 battery. Reassemble and test operation.

Step 2

Remove battery. While holding down the reset button on the side of the device, reinsert battery to factory reset the device. Repeat the "Getting Started" steps to re-join the ZigBee network.

FOR ADDITIONAL HELP

Check out support.IrisByLowes.com or call 1-855-469-IRIS (4747).

TECHNICAL SPECIFICATIONS

Power

Rated: 3V
Battery: CR-2 (1x)
Battery Life: Up to 2 years

Environmental

Operating Temperature: 0° to 40°C

Shipping/Storage

Temperature: -20° to 50°C
Humidity Range: 0 to 90% RH.
(non-condensing)

Approvals



Wireless RF Protocol

Protocol: ZigBee HA 1.2
TX Strength: +3 dBm
RF Channels: 16
Range: 130 ft. (40m) LOS