

# **Hisense**

USER'S OPERATION MANUAL

## **Chest Freezer**

Hisense

**EN** User's Manual

Model: FC50D6AWD  
FC70D6AWD

# CONTENTS

SAFETY AND WARNING INFORMATION _____	1-2	PARTS NAME AND FUNCTION _____	7
HOW TO USE _____	3	TEMPERATURE ADJUSTMENT AND DISCRIPTION OF APPLIANCE _____	8
DEFROSTING / FIRST USE AND INSTALLATION _____	4	DISPOSAL OF THE APPLIANCE _____	9
IN CASE THE FOLLOWING OCCURS _____	5-6		



## SAFETY AND WARNING INFORMATION

For proper usage of this appliance please thoroughly study these

SAFETY PRECAUTIONS before use.

The purpose of the safety precautions in this manual is to ensure the safe and correct use of the unit and to minimize risks that could cause serious damage and injury to you or other persons.

The safety precautions are divided into WARNINGS and CAUTIONS. (Cases where improper handling of the unit could lead to death or serious injury are listed under the "WARNING" heading and CAUTIONS could also lead to serious results. For safety, adhere strictly to both types of safety precautions.")

**WARNING** Improper handling of the unit could lead to death or serious injury.

**CAUTION** Improper handling of the unit could lead to serious results depending on the circumstances.

Text highlighted by the exclamation mark contains information that should be strictly adhered to.

After reading the instruction manual, store it at an easily accessible place where the user(s) can easily find it.

### WARNING

- All repairs, disassembly and modification should be performed only by qualified technicians. Attempting to perform these by yourself could result in a fire, malfunction, or injury.
- If the SUPPLY CORD is damaged, it must be replaced by the manufacturer, its service agent or similarly qualified person in order to avoid a hazard.
- Do not store explosive substances such as aerosol cans with a flammable propellant in this appliance.

- Use a dedicated wall outlet. Do not use extension cords or convenience receptacles as this could result in electrical shock, overheating or a fire.
- Never splash water directly onto the product or wash with water as short-circuit and electrical leakage may occur.
- Do not damage, modify, excessively bend, strain, twist or bundle up the power cord. Also, placing heavy objects on the power cord or squeezing it in a tight place could damage it and possibly result in electrical shock or fire.
- Never use flammable spray cans or leave flammable substances near the unit. Sparks from electrical switches could result in explosion and fire.

### SAFETY FOR CHILDREN

- This appliance is not intended for use by persons (including children) with reduced physical, sensory or mental capabilities, or lack of experience and knowledge, unless they have been given supervision or instruction concerning the use of the appliance by a person responsible for their safety. Children should be supervised to ensure that they do not play with the appliance.
- Keep all packaging away from children as there is risk of suffocation.
- **DANGER:** Risk of child entrapment. Before you throw away your old refrigerator or freezer:
  - Take off the doors
  - Leave the shelves in place so that children may not easily climb inside.



### Caution: Risk of fire!

During transportation and installation of the appliance, be certain that none of the components of the refrigerant circuit become damaged.

-avoid open flames and sources of ignition.  
-thoroughly ventilate the room in which the appliance is situated.

- It is dangerous to alter the specifications or modify this product in any way. Any damage to the cord may cause a shortcircuit, fire, and/or electric shock.
- The freezer is intended for storage of deep frozen food. Do not use for any other purpose as this could adversely affect items placed in the unit.
- For indoor use only. Using the unit in a location exposed to rain may result in electrical leakage and electrical shock.
- Install the unit in a location where the floor is sturdy enough to support the load of the unit. If the floor is not sturdy enough or installation is incorrectly performed, the unit could tip over so that falling shelves and products could cause personal injury.
- Leave disassembly and disposal of the unit to qualified experts.
- Never place heavy objects or items containing water on the top of the unit. Objects could fall down and cause injury, and spilled water could deteriorate the insulation of electrical components and result in electrical leakage.
- If you find gas leakage, please don't touch that area. open the door for ventilation. Gas leakage may cause explosion, fire and fire injury.
- The cooling performance is reduced if the unit is placed near heat sources such as hot plates and stoves and if it is exposed to direct sunlight.
- Should the unit need temporary storage, make sure the unit is in a location where the potential for personal injury is minimal. Please take precautions so that the door cannot be completely closed. This will minimize the risk that a child becomes trapped inside the unit.

- If installation in a damp location is unavoidable, it is necessary to install an electrical leakage circuit breaker. If no electrical leakage circuit breaker is installed, electrical shock could result.
- Never hang from the door or climb onto the unit. The unit could tip over or fall and that could cause material damage or injury.
- When disconnecting the power cord plug from the wall outlet, grasp the main body of the plug close to the outlet. Pulling the cord could cause wire breakage, possibly resulting in overheating and fire.
- Never touch the power cord plug, other electrical components, or operate the switch with wet hands. Electrical shock could result.
- Disconnect the power cord plug from the wall outlet before moving the unit and make sure that the power cord is not damaged during transportation. A damaged power cord could result in electrical shock and/or fire.
- Make sure that the unit does not tip over or fall when it is moved. A falling unit could cause serious injury.
- Never use if the power cord or plug is damaged or if the plug cannot be firmly seated in the receptacle sockets as electrical shock, short-circuit and fire result.



### DANGER



**DANGER Risk of fire or explosion. Flammable refrigerant used. Do not use mechanical devices to defrost refrigerator. Do not puncture refrigerant tubing.**

**DANGER Risk of fire or explosion. Flammable refrigerant used. To be repaired only by trained service personnel. Do not puncture refrigerant tubing.**



### CAUTION



**CAUTION Risk of fire or explosion. Flammable refrigerant used. Consult repair manual/ owner's guide before attempting to service this product. All safety precautions must be followed.**

**CAUTION Risk of fire or explosion. Dispose of property in accordance with federal or local regulations. Flammable refrigerant used.**

**CAUTION Risk of fire or explosion due to puncture of refrigerant tubing ; Follow handling instructions carefully. Flammable refrigerant used.**



## HOW TO USE

### BEFORE USE

- Remove shipping package, tape, etc. and leave doors open for a while in order to ventilate the appliance.
- The unit is cleaned before shipment. However, it is recommended to clean the compartment interior once after delivery.
- Please insert power supply plug into the wall outlet, type "grounded single-phase 115 V".
- Allow the unit to operate for about 1 hour to cool the compartment before placing items into the appliance.

### WAIT 5 MINUTES OR MORE BEFORE RESTARTING

- Restarting the unit immediately after it has been turned off may cause fuses to blow and activate the circuit-breaker, the compressor may become overloaded, and/or other damage may occur.

### EFFICIENT USE

Please follow the following instructions, in order to save energy consumption.

- To prevent cold air escaping from the chest freezer, open and close the door quickly and keep the door opened for as short time period as possible.
- Please install the unit in a well-ventilated location.
- Do not use the unit to store water or food that requires water as a storage medium. Never place fresh seafood containing water directly into the unit.

### CHECKS

To ensure safety, perform the following checks after cleaning the unit:

- Is the power cord plug firmly inserted into a dedicated wall outlet? Confirm that the plug is not abnormally hot.
- Check the power cord for cracks and damage. Should the slightest irregularity be observed, contact the dealer from whom you purchased this unit or our customer service department.

### CLEANING AND DEFROSTING

To prevent any electrical shock hazards or injury disconnect the power cord plug from the wall outlet before cleaning.

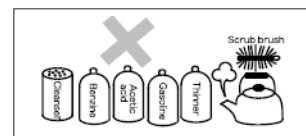
#### EXTERIOR

Wipe with a soft, dry cloth. If very soiled, wipe with a cloth that has been moistened with detergent. Then wipe with a cloth that has been dipped in clean water.

#### WARNING:

Do not splash water directly onto the chest freezer and do not wash with water. A short-circuit and/or electrical shock could be caused.

- Clean the cooler regularly to keep it clean at all times.
- Never use polishing powder, soap powder, benzine, oil or hot water as these will damage the painting and plastic components.
- Open the door and wipe clean with a dry cloth.



## DEFROSTING/FIRST USE AND INSTALLATION

You should defrost the freezer compartment two or three times a year when the ice is about 3/16 inches (4mm) thick. To defrost, follow these steps:

- Set the thermostat to “Colder” at least 12 hours before defrosting.
- After this period has elapsed, switch off the freezer compartment by removing the plug from the main power supply.
- Remove all food from the freezer and wrap them in paper and store them in a cold place, leaving the door open.
- When the defrosting is finished, the compartment must be cleaned and wiped dry.
- Switch the appliance back on using the thermostat set to “Colder” and, wait at least one hour before replacing the foodstuffs.
- After a few hours the thermostat can be set back to the original position.

### WARNING:

Keep ventilation openings, in the appliance enclosure or in the built-in structure, clear of obstruction.

This appliance is intended to be used in household and similar applications such as

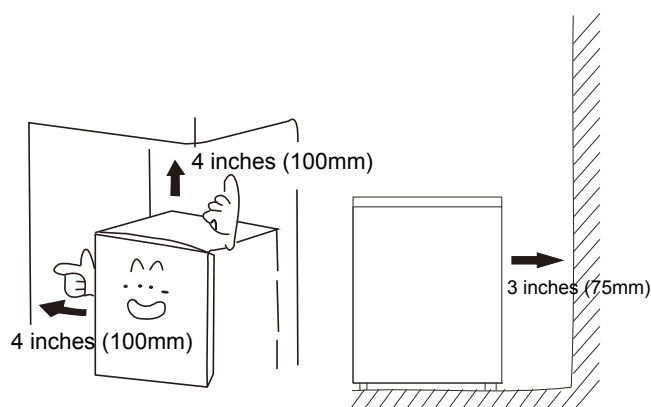
- staff kitchen areas in shops, offices and other working environments;
- farm houses and by clients in hotels, motels and other residential type environments;
- bed and breakfast type environments;

Appliances must not be exposed to rain. Sufficient air must be allowed to circulate in the lower rear section of the appliance, as poor air circulation can affect performance. Built-in appliances should be positioned away from heat sources such as heaters and direct sunlight.

## Cleaning before use

Before using the appliance for the first time, wash the interior and all internal accessories with lukewarm water and some neutral soap so as to remove the typical smell of a brand new product, then dry thoroughly.

**Important!** It is necessary to have good ventilation around the freezer to allow for the dissipation of heat, high efficiency, and low power consumption. For this reason, sufficiently cleared space should be available around the freezer. It is advisable for there to be 3 inches (75mm) separating the back of the freezer to the wall and at least 4 inches (100mm) of space on its two sides, a height of over 4 inches (100mm) from its top.



## Leveling

The appliance should be placed on a level floor to reduce vibration. The appliance should be upright with all four feet in stable contact with the floor.

## IN CASE THE FOLLOWING OCCURS



**Warning!** Before troubleshooting, disconnect the power supply. Only a qualified electrician or

other person must carry out the troubleshooting that is not in the manual.

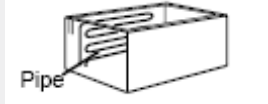
### Important!

Repairs to the appliance may only be performed by competent service engineers. Improper repairs can give rise to significant hazards for the user. If your appliance needs repairing, please contact your specialist dealer or your local Warranty Service Center.

Problem	Solution
POWER FAILURE	Keep the opening and closing of the door for a minimum time to prevent cold air from escaping.
	Avoid placing new items in the cooler as this will raise the temperature inside the compartment.
	In case of a long power suspension, place dry ice in the freezer
POWER CORD PROBLEMS	If the supply cord is damaged. It must be replaced with original factory parts from Hisense, available from the manufacturer or the service agent.
	The freezer must be positioned so that the plug is accessible to the wall outlet.
WHEN NOT USED FOR A LONG PERIOD	Remove all items from the compartment and disconnect the power cord plug from the wall outlet.
	Clean the compartment interior and wipe away all water.
	To prevent mold formation and foul odors, leave the door open to dry the compartment completely.
TRANSPORTATION	Disconnect the power cord plug from the wall outlet.
	When moving the appliance, make sure that the feet do not damage the power cord.
	Do not let the feet hit against floor steps, thresholds, etc.
	If the freezer is full, and needs to be moved for cleaning, the freezer should be moved very slowly, with both hands. Do not let the freezer roll freely on a ramp or incline.
TEMPORARY STORAGE	Put a piece of wood or other similar item between the door and main unit to prevent complete closing of the door.
	Be sure not to store the unused chest freezer in a location where children play.
	<b>CAUTION</b> Should a child enter the compartment and close the door, the child may not be able to open the door from the inside.

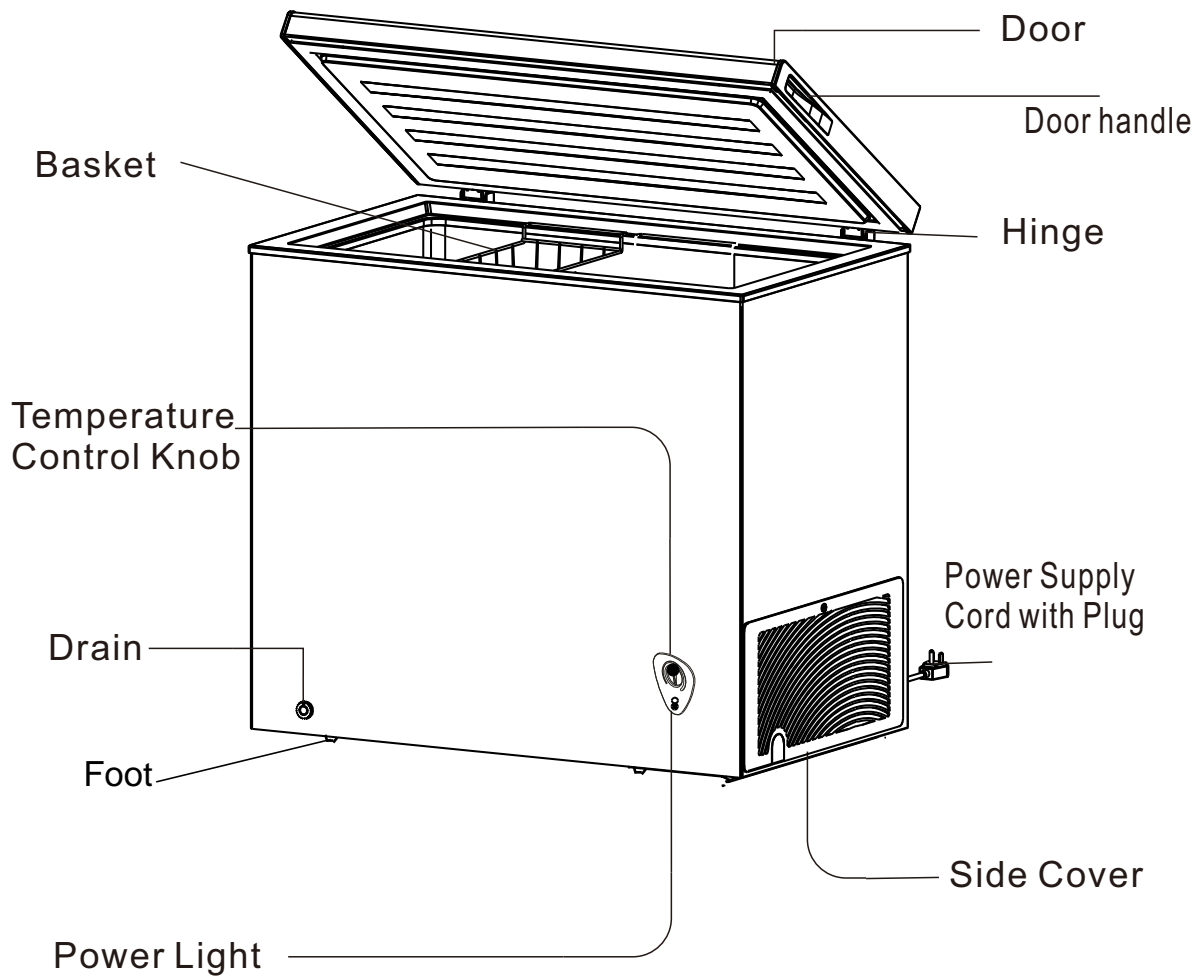
Please check the following if you encounter problems with the unit. If the problem continues after taking the proper remedial actions, disconnect the power cord plug from the wall outlet. Transfer the items stored in the cooler to a box or other container. Then contact the dealer from whom you purchased this unit, and be ready to provide information as listed in the "**REQUIRED INFORMATION**" below.

To prevent any electrical shock hazards, do not disconnect the power cord plug from the wall outlet with wet hands.

No refrigeration at all	Is the power supply interrupted?
	Is the power cord plug disconnected from the wall outlet?
	Are the power fuses blown and/or the circuit breaker activated?
	Is the temperature control turned to Off ?
Inadequate refrigeration	Is the place of installation ventilated?
	Is the freezer exposed to direct sunlight, placed near a heater or stove?
	Are the lids opened and closed frequently?
	Is the freezer loaded beyond the load line?
	If the cooling performance is inadequate, turn the temperature control dial in the direction of MAX.
	Is a lot of frost forming in the freezer compartment? May need to defrost the freezer.
Excessive noise	Is the floor underneath the freezer sturdy enough?
	Is the rear panel of the unit in contact with a wall, etc.?
	Is there a container or something behind the freezer? The compressor will generate a rather loud sound for a while after operation is started. The noise will cease together with refrigeration.
Condensation on cooler exterior	Condensation may occur on the exterior of the unit and the door during hot and humid days, depending on the place of installation. This usually occurs when the humidity is high. Wipe away condensation with a dry cloth.
The chest freezer cabinet feels hot	Especially in summer the chest freezer's cabinet feels hot. The Chest freezer's cabinet internal tubing is radiating heat, preventing condensation. The heat does not affect inside goods. 

## PARTS NAME AND FUNCTION

Model NO: FC50D6AWD  
FC70D6AWD



Never touch the interior of the freezer chamber or frozen foods in the compartment with wet hands as this could result in frostbite.

The above image is for reference only; configuration is subject to the actual product.



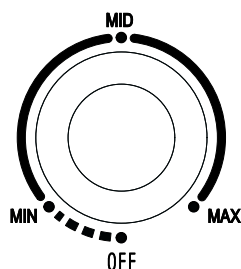
## TEMPERATURE ADJUSTMENT AND DISCRPTION OF APPLIANCE

### TEMPERATURE ADJUSTMENT

- To adjust the temperature inside the freezer compartment, adjust the temperature control dial on front-bottom side of the chest freezer. Normally use chest freezer with temperature set at MID.

If the cooling performance is inadequate, turn the temperature control dial in the direction of **MAX** . If it is too cold, turn the dial in the direction of **MIN** .

- When you need the unit to stop running temporarily, please turn the temperature control dial to **OFF** .



### DESCRIPTION OF APPLIANCE

Installation: Any electrical work that is required to install this appliance **MUST** be carried out by a qualified electrician

Warning: THIS APPLIANCE MUST BE GROUNDED

Before making any electrical connections, ensure the following:

#### Electrical connection

Electrical safety is only guaranteed when the grounding system of your house is in accordance with the related local regulations.

Do not damage the refrigerant circuit.

Do not bend, stretch or pull the supply cable to avoid electric shock.

Do not use electrical appliances inside the food storage compartment of the appliance, unless they are of the type recommended by the manufacturer.

The supply voltage should be the same as that indicated in the technical specifications and the appliance rating label .

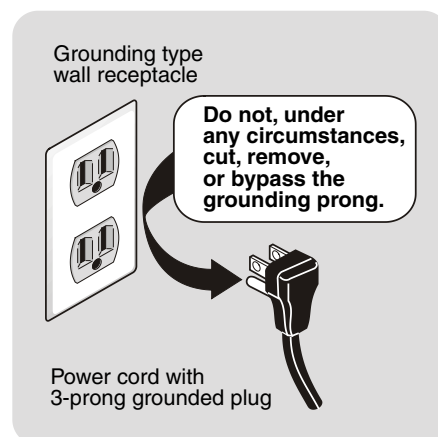
The appliance should be grounded and in compliance with the applicable laws.

When installed, the power socket must be within easy reach.

If the socket outlets in your home are not suitable for the plug supplied with this unit check with a qualified electrician for replacement.

### ELECTRICAL INFORMATION

- The freezer must be plugged into its own dedicated 115 Volt,60Hz.,AC - only electric outlet. power cord of the appliance is equipped with a three-prong grounding plug for your protection against electrical shock hazards.It must be plugged directly into a properly grounded three-prong receptacle. The receptacle must be installed in accordance with local codes and ordinances.Consult a qualified electrician. Do not use an extension cord or adapter plug.
- Immediately repair or replace any power cord that becomes frayed or damaged.
- Never unplug the freezer by pulling on the power cord.Always grip the plug firmly,and pull straight out from the receptacle to prevent damaging the power cord.
- Performance may be affected if the voltage varies by 10% or more.Operating the freezer with insufficient power can damage the compressor.Such damage is not covered under your warranty.
- Do not plug the unit into an outlet controlled by a wall switch or pull cord, to prevent the freezer from being turned off accidentally.
- Avoid connecting freezer to a Ground Fault Interruptor (GFI)circuit.
- Do not use an extension cord.



## DISPOSAL OF THE APPLIANCE

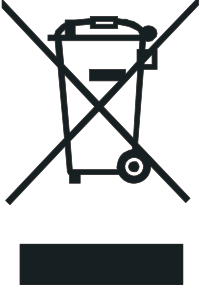
It is prohibited to dispose of this appliance in domestic household waste.

### Packaging materials

Packaging materials with the recycle symbol are recyclable. Dispose of the packaging in a suitable waste collection container to recycle it.

### Before disposal of the appliance.

1. Disconnect the main plug from the main socket.
2. Cut off the main cable and discard it.

	<b>Correct disposal of this product</b>
	<p>This symbol on the product, or in its packaging, indicates that this product may not be treated as household waste. Instead, it should be taken to the appropriate waste collection point for the recycling of electrical and electronic equipment. By ensuring this product is disposed of correctly, you will help prevent potential negative consequences for the environment and human health, which could otherwise be caused by the inappropriate waste handling of this product. For more detailed information about the recycling of this product, please contact your local council, your household waste disposal service, or the store where you purchased the product.</p>

# **Hisense**

USER'S OPERATION MANUAL

## arcón congelador

Hisense

ES Manual del usuario

Modell: FC50D6AWD  
FC70D6AWD

## Contenidos

<b>INFORMACIÓN DE SEGURIDAD Y DE ADVERTENCIA 1-2</b>	<b>NOMBRE Y FUNCIÓN DE LAS PARTES-----7</b>
<b>MODO DE EMPLEO-----3</b>	<b>REGULACIÓN DE LA TEMPERATURA Y</b>
<b>DESCONGELAMIENTO /PRIMER USO E INSTALACIÓN -4</b>	<b>DESCRIPCIÓN DEL APARATO -----8</b>
<b>EN CASO DE QUE OCURRA LO SIGUIENTE-----5-6</b>	<b>ELIMINACIÓN DEL APARATO -----9</b>



## INFORMACIÓN DE SEGURIDAD Y DE ADVERTENCIA

Para el uso correcto, lea con atención las PRECAUCIONES DE SEGURIDAD antes de usarlo.

El propósito de las precauciones de seguridad en este manual es el de garantizar un uso seguro y correcto de la unidad y minimizar los riesgos que podrían causar graves daños y lastimar a usted o a otras personas.

Las precauciones de seguridad se dividen en ADVERTENCIAS y PRECAUCIONES. (Los casos en que el manejo inadecuado de la unidad podría ocasionar la muerte o lesiones graves se enumeran bajo el encabezamiento "ADVERTENCIAS", y también podría tener consecuencias graves. Por razones de seguridad, respete estrictamente los dos tipos de medidas de seguridad.")

**ADVERTENCIA** El manejo inadecuado de la unidad podría ocasionar la muerte o lesiones graves.

**PRECAUCIÓN** El manejo inadecuado de la unidad podría tener consecuencias graves en función de las circunstancias.

El texto resaltado con un signo de exclamación contiene información que debe respetarse estrictamente.

Después de leer el manual de instrucciones, guárdelo en un lugar de fácil acceso para que el usuario o los usuarios puedan encontrarlo con facilidad.

### ADVERTENCIA

- Todas las reparaciones, los desmontajes y las modificaciones deben realizarse únicamente por técnicos cualificados. Si intenta realizarlos por su cuenta puede provocar un incendio, un mal funcionamiento o daños.
- Si el CABLE DE ALIMENTACIÓN está dañado, lo debe reemplazar el fabricante, el agente de servicio o una persona similar calificada para evitar peligros.
- Nunca ponga sustancias inflamables o volátiles en la unidad ya que se puede producir una explosión o un incendio.
- Utilice un enchufe dedicado de pared. No use cables de extensión o tomas de corriente ya que esto podría provocar una descarga eléctrica, sobrecalentamiento o un incendio.

- Nunca arroje agua directamente sobre el producto ni lo lave con agua ya que pueden ocurrir corto-circuitos y fugas eléctricas.
- No dañe, modifique, doble excesivamente, someta a tensión o torsión o enrolle el cable de alimentación. Además, si coloca objetos pesados sobre el cable de alimentación o lo mete en un lugar estrecho podría dañarlo y posiblemente provocar una descarga eléctrica o un incendio.
- Nunca use latas de aerosol inflamables ni deje sustancias inflamables cerca de la unidad. Las chispas de los interruptores eléctricos podrían provocar una explosión y un incendio.

### SEGURIDAD PARA LOS NIÑOS

- Este aparato no está diseñado para ser utilizado por personas (incluidos niños) con capacidades físicas, sensoriales o mentales deficientes, o sin experiencia y conocimientos, a menos que sean supervisados o instruidos acerca del aparato por una persona responsable de su seguridad. Se debe supervisar a los niños para asegurarse de que no jueguen con el aparato.
- Existe riesgo de asfixia, mantenga todos los materiales de embalaje alejados de los niños.
- Si va a desechar el aparato, saque el enchufe de la toma de corriente, corte el cable de la conexión (tan cerca del aparato como pueda) y saque la puerta para evitar que los niños sufran una descarga eléctrica o se encierren dentro. Si este aparato que tiene juntas magnéticas en la puerta va a reemplazar un aparato más viejo con un cierre de resorte (pestillo) en la puerta o la tapa, asegúrese de hacer inservible ese resorte antes de deshacerse del aparato antiguo. Esto evitará que se convierta en una trampa mortal para un niño.



### ¡Precaución: Riesgo de incendio!

Durante el transporte y la instalación del aparato, asegúrese de que ninguno de los componentes del circuito de refrigeración se dañen.

-evite las llamas abiertas y las fuentes de ignición.

-ventile bien la habitación en la que se encuentra el aparato.

- Es peligroso alterar las especificaciones o intentar modificar este producto de alguna manera. Cualquier daño al cable puede causar un incendio, un cortocircuito, o una descarga eléctrica.
- El congelador está destinado para el almacenamiento de alimentos congelados. No lo utilice para ningún otro propósito ya que esto podría afectar negativamente a los elementos que se colocan en la unidad.
- Para uso en interiores. El uso de la unidad en un lugar expuesto a la lluvia puede provocar una fuga eléctrica y descargas eléctricas.
- Instale la unidad en un lugar donde el suelo sea lo suficientemente resistente como para soportar el peso de la unidad. Si el piso no es lo suficientemente resistente o la instalación se realiza en forma incorrecta, la unidad podría volcarse y las estanterías y los productos podría causar lesiones personales al caer.
- Expertos calificados deben realizar el desmontaje y la eliminación de la unidad
- Nunca coloque objetos pesados o artículos que contengan agua en la parte superior de la unidad. Los objetos podrían caer y causar lesiones, y el agua derramada podría deteriorar el aislamiento de los componentes eléctricos y provocar una fuga eléctrica.
- Si encuentra fugas de gas, por favor, no toque esa zona abra la puerta para ventilar.  
Las fugas de gas pueden causar una explosión, un incendio y lesiones por fuego.
- Mantenga el aparato lejos de fuentes de aire caliente; el rendimiento de la refrigeración se reduce si se coloca la unidad cerca de fuentes de calor tales como hornos y estufas y si se expone a la luz solar directa.
- Si la unidad necesita un almacenamiento temporal, asegúrese de que la unidad se encuentre en un lugar donde la posibilidad de lesiones personales sea reducida. Se deben tomar precauciones para que la puerta no pueda cerrarse completamente. Esto minimizará el riesgo de que un niño quede atrapado dentro de la unidad.

- Si la instalación en un lugar húmedo es inevitable, es necesario instalar un interruptor de circuito de fuga eléctrica. Si no hay instalado ningún interruptor de circuito de fuga eléctrica, podría producirse una descarga eléctrica.
- Nunca se cuelgue de la puerta o suba a la unidad. La unidad podría volcarse o caer, y que podría causar daños materiales o lesiones.
- Al desconectar el enchufe del cable de alimentación de la toma de corriente, sujete el cuerpo principal del enchufe cerca de la toma. Si tira del cable podría provocar la rotura del cable, lo que podría ocasionar sobrecalentamiento e incendio.
- Nunca toque el cable de alimentación, otros componentes eléctricos, ni accione el interruptor con las manos mojadas. Podría causar una descarga eléctrica.
- Desconecte el cable de alimentación de la toma de corriente antes de mover la unidad y asegúrese de que el cable de alimentación no se dañe durante el transporte. Un cable de alimentación dañado podría provocar una descarga eléctrica o un incendio.
- Asegúrese de que la unidad no se vuelque o se caiga cuando se la mueva. Una unidad que se cae podría causar lesiones graves.
- No utilice si el cable de alimentación o el enchufe si está dañado o si el enchufe no puede estar asentado firmemente en las tomas ya que podría producirse una descarga eléctrica, un cortocircuito o un incendio.



### Peligro



PELIGRO Peligro de incendio o explosión. Flammable refrigerante utilizado. No utilice dispositivos mecánicos para descongelar refrigerador. No perforo la tubería refrigerante. PELIGRO Peligro de incendio o explosión. Flammable used. To refrigerante ser reparado por servicio capacitado personal. No perforo la tubería refrigerante.



### PRECAUCIÓN



ATENCIÓN Riesgo de incendio o explosión. Flammable guía manual de reparación used. Consult refrigerante / del due?o antes de intentar reparar este producto. Toda la seguridad precauciones deben ser seguidas. ATENCIÓN Riesgo de incendio o explosión. Dispose de propiedad de conformidad con los reglamentos federales o locales. Refrigerante inflamable usado. tubería refrigerante; Siga las instrucciones de manejo cuidadosamente. Refrigerante inflamable usado. debido a la punción de PRECAUCIÓN Peligro de incendio o explosión



## MODO DE EMPLEO

### ANTES DE USAR

- Elimine el envoltorio de envío, la cinta, etc. y deje las puertas abiertas para ventilar el aparato.
- La unidad se limpia antes del envío. Sin embargo, se recomienda limpiar el compartimento interior después del envío.
- Inserte el enchufe de alimentación de corriente al toma corriente de la pared, tipo "toma a tierra monofásica, 115V."
- Deje que la unidad funcione durante aproximadamente 1 hora para enfriar el compartimento antes de colocar elementos en el aparato.

### ESPERE 5 MINUTOS O MÁS ANTES DE VOLVER A ENCENDER

- Si enciende la unidad en forma inmediata después de haberla apagado puede causar que se vuelen los fusibles y se active el interruptor de circuito, el compresor puede sobrecargarse o puede producirse daño.

### USO EFICAZ

Siga las siguientes instrucciones para ahorrar en el consumo de electricidad.

- Para impedir que se escape aire del congelador horizontal abra y cierre la puerta rápidamente y mantenga la puerta abierta lo menos posible.
- Instale la unidad en un lugar bien ventilado.
- No use la unidad para almacenar agua o comida que necesite agua como medio de almacenaje. Nunca coloque mariscos frescos que contengan agua directamente en la unidad.

### VERIFICACIONES

Para comprobar la seguridad, realice las siguientes verificaciones después de limpiar la unidad:

- ¿Está el cable de alimentación enchufado en una toma dedicada de pared? Verifique que el cable no esté inusualmente caliente.
- Verifique que el cable no tenga raspaduras ni daños. Si observara la menor irregularidad, comuníquese con el distribuidor al que le compró la unidad o con nuestro departamento de atención al cliente.

### LIMPIEZA Y DESCONGELAMIENTO

Para evitar peligros por descargas eléctricas o lesiones

por la rotación del ventilador de circulación, desconecte el cable de la toma de la pared antes de limpiarlo.

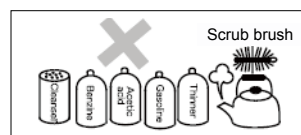
### EXTERIOR

Limpie con un paño suave y seco. Si está muy sucio, limpie con un paño humedecido con detergente. Luego enjuague con un trapo que haya sido sumergido en agua limpia.

### ADVERTENCIA:

No arroje agua directamente en el congelador horizontal y no enjuague con agua. Podría producirse un corto circuito o una descarga eléctrica.

- Limpie el congelador horizontal en forma regular para mantenerlo limpio en todo momento.
- Nunca use polvo abrasivo, polvo detergente, bencina, aceite u alcohol, ya que dañarán los componentes plásticos y la pintura.
- Abra la puerta y limpie con un paño seco.



## DESCONGELAMIENTO /PRIMER USO E INSTALACIÓN

Debe descongelar el compartimento del congelador dos o tres veces al año cuando el hielo tiene un grosor de 3/16 inches (4mm). Para descongelar, siga estos pasos:

- Ponga el termostato en "Colder" al menos 12 horas antes de descongelar.
- Después de este tiempo, desenchufe el cable de alimentación y desconecte el congelador.
- Saque todos los alimentos del congelador, envuélvalos en papel y almacénelos en un lugar frío, y deje la puerta abierta.
- Cuando se descongeló, se debe limpiar y secar el compartimento.
- Vuelva a conectar el dispositivo, coloque el termostato en "Colder" y espere un hora para colocar los alimentos.
- Después de unas horas se puede colocar el termostato en su posición original

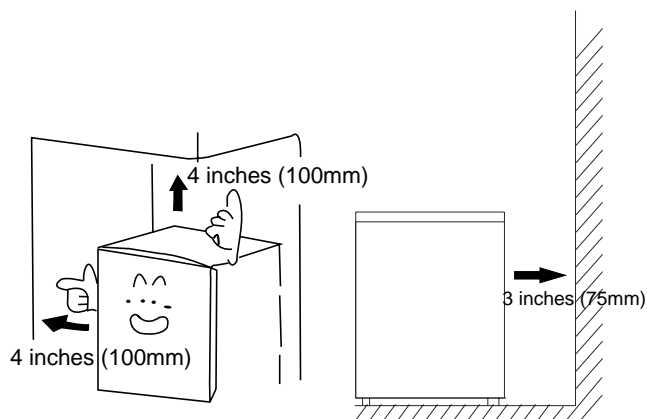
### ADVERTENCIA:

No use dispositivos mecánico u otros medios artificiales para acelerar el proceso de descongelamiento, que no sean los recomendados por el fabricante.

### Limpieza antes de usar

Antes de usar el aparato por primera vez, lave el interior y todas las partes internas con agua tibia y jabón neutro, con el fin de eliminar el característico olor de un producto nuevo y luego séquelo cuidadosamente.

**¡Importante!** Es necesario tener una buena ventilación alrededor del refrigerador para permitir la disipación del calor, una gran eficiencia y un bajo consumo de energía. Por esta razón, debe haber espacio lo suficientemente despejado alrededor del refrigerador. Es aconsejable que exista una separación de 3 inches (75 mm) entre la parte trasera del refrigerador y la pared; por lo menos 4 inches (100 mm) de espacio a los dos lados, y un espacio de más de 4 inches (100 mm) desde la parte superior al techo



No se debe exponer el aparato a la lluvia. Se debe dejar circular aire suficiente en la sección trasera de los aparatos ya que una circulación escasa podría afectar el desempeño. Los aparatos integrados deben colocarse lejos de fuentes de calor tales como calentadores y de la luz solar directa

### Nivelación

El aparato debe estar nivelado en la pata para reducirla vibración. El aparato debe estar en posición vertical con las cuatro ruedas en contacto firme con la pata.

## EN CASO DE QUE OCURRA LO SIGUIENTE

**¡Advertencia!** Antes de resolver problemas, desconecte la fuente de alimentación. Sólo un electricista cualificado o persona competente debe llevar a cabo la resolución de problemas que no están en el manual.

### ¡Importante!

Sólo técnicos competentes pueden realizar las reparaciones del aparato. Las reparaciones inadecuadas pueden dar lugar a riesgos significativos para el usuario. Si su equipo necesita reparación, póngase en contacto con su distribuidor o su Centro local de al de garantía Cliente.

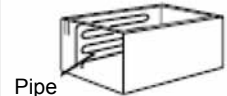
Solución	Problema
FALLO DE CORRIENTE	Minimice la apertura y el cierre de la puerta para evitar que se escape el aire frío.
	Evite colocar nuevos elementos en el refrigerador ya que esto elevará la temperatura en el interior del compartimento.
	En caso de una suspensión de energía prolongada, coloque hielo seco en
	el compartimento del congelador.
PROBLEMAS CON EL CABLE DE ALIMENTACIÓN	Debe ser reemplazado con piezas originales de la fábrica de Hisense, disponible desde el fabricante o el agente de servicio.
	Debe congelador la exposición de manera que se pueda introducir el enchufe en la toma de la pared
CUANDO NO SE USA POR UN PERÍODO PROLONGADO	Retire todos los artículos del compartimento y desconecte el cable de alimentación de la toma de la pared.
	Limpie el interior del compartimento y seque toda el agua.
	Para evitar la formación de moho y malos olores, dejar la puerta abierta para secar el compartimento por completo.
TRANSPORTE	Desconecte el cable de alimentación de la toma de pared
	Al mover el aparato, asegúrese de que las ruedas no dañen el cable de alimentación
	No permita que las ruedas golpee contra la pata pasos, umbrales, etc.
ALMACENAMIENTO TEMPORARIO	Coloque la pieza de madera u otro elemento similar entre la puerta y la unidad principal para evitar el cierre completo de la puerta.
	Asegúrese de no guardar el congelador horizontal no utilizado en un lugar donde los niños juegan
	Si un niño entra al compartimento y se cierra la puerta, puede que el niño no sea capaz de abrir la puerta desde el interior.



Compruebe lo siguiente si tiene problemas con la unidad. Si el problema persiste después de tomar las acciones correctivas adecuadas, desconecte el cable de alimentación de la toma de pared.

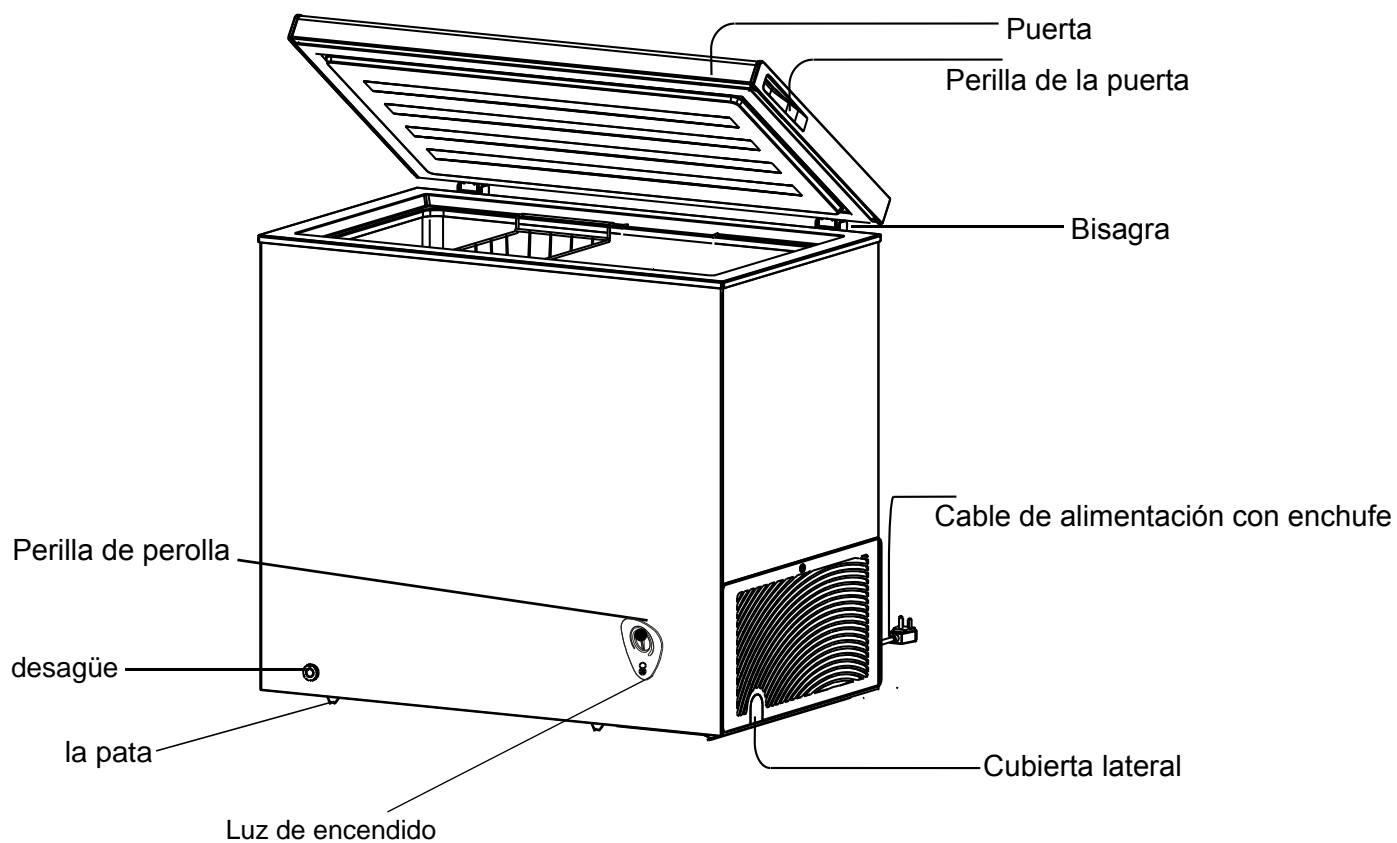
Transfiera los elementos almacenados en el refrigerador a una caja u a otro recipiente. Luego contacte al distribuidor al que le compró este producto, y esté preparado para proporcionar la información prevista en la **"INFORMACIÓN REQUERIDA"** a continuación.

Para evitar cualquier peligro de descargas eléctricas, no desconecte el cable de alimentación de la toma de la pared con las manos mojadas.

No refrigera para nada	¿Se interrumpió el suministro eléctrico?
	¿Está el cable de alimentación desconectado de la toma de corriente?
	¿Están los fusibles de potencia quemados o el interruptor de circuito activado?
	¿Está Off (apagado) el control de la temperatura?
Refrigeración inadecuada	¿Está ventilado el lugar de instalación?
	¿Está el congelador expuesto a la luz solar directa, cerca de un calentador o una estufa?
	¿Se abren y cierran las tapas con frecuencia?
	¿Se cargó el congelador?
	¿Está el control de temperatura en la dirección de Colder? Si hace demasiado frío, gire la rueda en la dirección de Cold.
	¿Hay una gran cantidad de formación de escarcha en el congelador? Puede necesitar para descongelar el congelador.
Ruido excesivo	¿Es el suelo debajo del congelador lo suficientemente robusto?
	¿Está el panel posterior de la unidad en contacto con una pared, etc.?
	¿Hay un contenedor o algo detrás del refrigerador?  El compresor genera un sonido bastante fuerte durante un tiempo después de que se inicia el funcionamiento. El ruido cesará junto con la refrigeración.
Condensación en el Exterior del refrigerador	Se puede formar condensación en el exterior de la unidad y la puerta durante días cálidos o húmedos o dependiendo del lugar de instalación. Esto ocurre cuando la humedad es alta y hay partículas de agua en las superficies frías. Seque la condensación con un paño seco.
La circunferencia del arcón del refrigerador se siente caliente	Especialmente en verano o en el período que comienza a funcionar, la circunferencia del arcón del congelador se siente caliente, ya que el arcón del congelador tiene un tubo en el interior para la radiación y la prevención de la condensación. El calor no afecta a la mercadería en el interior.   Pipe

**NOMBRE Y FUNCIÓN DE LAS PARTES**

Modell NR: FC50D6AWD  
FC70D6AWD



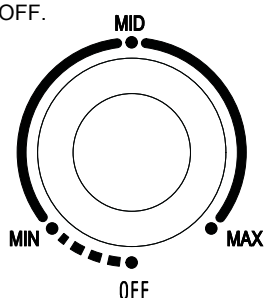
## REGULACIÓN DE LA TEMPERATURA Y DESCRIPCIÓN DEL APARATO

### REGULACIÓN DE LA TEMPERATURA

- Para ajustar la temperatura dentro del compartimiento del congelador, ajuste el dial de control de la temperatura en el lado del fondo del frente del arcón congelador. Normalmente use el arcón congelador con la temperatura MID .

Si el rendimiento de la refrigeración es insuficiente, gire el dial de control de la temperatura en la dirección de MAX. Si hace demasiado frío, gire el dial en la dirección de MIN.

- Cuando se necesita detener la unidad en forma temporal, gire el dial de control de la temperatura en la dirección de OFF.



### DESCRIPCIÓN DEL APARATO

Instalación Cualquier trabajo eléctrico que se requiera para la instalación del aparato deberá ser realizada por un electricista calificado

**Advertencia: ESTE APARATO DEBE SER CONECTADO A TIERRA**

Antes de realizar cualquier conexión eléctrica, garantice lo siguiente:

Conexión eléctrica

La seguridad eléctrica está garantizada sólo cuando el sistema de puesta a tierra de su casa está en conformidad con las normas locales relacionadas.

No dañe el circuito refrigerante.

No doble, estire o tire del cable de alimentación para evitar descargas eléctricas.

No use aparatos eléctricos dentro de los compartimentos de almacenamiento de alimentos del aparato, a menos que sean del tipo recomendado por el fabricante.

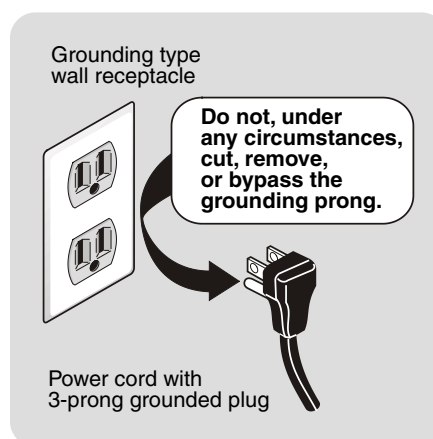
Asegúrese de que la toma de corriente es adecuada para la potencia máxima de la máquina (los fusibles en el circuito de alimentación debe ser de 13 amperios).

La tensión de alimentación debe ser la misma que la indicada en las especificaciones técnicas y la placa de características del aparato.

El uso de adaptadores, conectores múltiples o cables de extensión no es recomendable.

### LA INFORMACIÓN ELÉCTRICA

- El congelador debe estar enchufado en su propio dedicado 115 voltios, 60Hz., AC poder outlet. El sólo eléctrico cable del aparato está equipado con un enchufe de tres clavijas conexión a tierra para su protección contra eléctrica hazards. It choque debe ser enchufado directamente en un debidamente conectado a tierra receptáculo de tres terminales. la receptacpe deben instalarse de acuerdo con las ordenanzas locales códigos y dinances. Consult o un electricista calificado. No utilice un cable alargador o adapetr enchufe.
- Inmediatamente reparar o reemplazar cualquier powercord que se deteriora o da?a.
- Nunca desenchufe el congelador tirando del poder agarre cord. Always firmemente el enchufe y tire stright a cabo del tomacorrientes para evitar da?os en el poder espinal.
- Desenchufe el congelador antes de limpiarlo o reemplazar una bombilla para evitar descargas eléctricas.
- Performansce pueden verse afectados si la tensión vares por 10% o more. Operating el congelador con insuficiente poder puede da?ar el da?o compresor. Such es No covred por la garantía.
- No enchufe la unidad en un tomacorriente controlado por un muro cambiar ni tire del cordón para evitar que el congelador de ser apague por accidente.
- Evite la conexión del congelador a un Interruptor de falla a tierra (GFL) circuito.
- No use un cable eléctrico de extensión.



## Eliminación del aparato

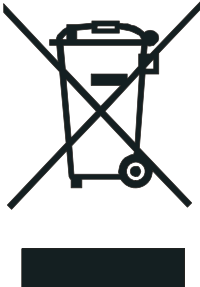
Está prohibido tirar este aparato a los residuos domésticos.

### Material de embalaje

Los materiales de embalaje que tienen el símbolo de reciclaje son reciclables. Elimine el embalaje en un contenedor de recogida apropiado para reciclarlo.

### Antes de la eliminación del aparato

1. Stecken Sie den Hauptstromschalter von der Hauptstromsteckdose.
2. Schneiden Sie das Hauptstromkabel vom Gerät ab und entsorgen Sie es.

	<b>Eliminación correcta del producto</b>
	<p>Este símbolo que del producto o del embalaje indica que no puede tratarse como residuo doméstico. En cambio, el producto debe llevarse al punto de recogida apropiado para el reciclaje de equipos eléctricos y electrónicos. Al asegurarse de que el producto se elimina en forma correcta, ayudará a evitar posibles consecuencias negativas para el medio ambiente y la salud humana, lo cual, de otro modo, sería causado por el manejo inapropiado de los residuos de este producto. Para más información detallada sobre el reciclaje del mismo, contacte al contenedor de recogida para su reciclado, al municipio local, al servicio de eliminación de residuos domésticos o al comercio donde compró el producto.</p>