

## Dishwasher



**BOSCH**

Instructions for use

9000 373 507

Congratulations, and Thank You from Bosch!

Thank you for selecting a Bosch dishwasher. You have joined the many consumers who demand quiet and superior performance from their dishwashers.

This manual was written with your safety and convenience in mind, and the information contained herein is very important. We highly recommend that you read this manual before you use your dishwasher for the first time.

To learn even more about your dishwasher and available accessories, as well as many other topquality Bosch appliances, visit our website at [www.bosch-appliances.com](http://www.bosch-appliances.com).

Please contact us if you have any questions or comments. You can call us at 1-800-944-2904, or you can write us at

BSH Home Appliances, Corp.  
5551 McFadden Avenue  
Huntington Beach, CA 92649

<b>IMPORTANT SAFETY INSTRUCTIONS</b> .....	3
Getting to know your appliance .....	4
Dishwasher Components .....	5
Dishwasher Setup .....	6
Salt .....	7
Adding Detergent.....	7
Rinse Agent .....	8
Dishware Materials .....	10
Loading the Dishwasher .....	11-12
Rack Accessories .....	13
Wash Cycle Information .....	14
Additional Options and Features .....	15-16
Operating the Dishwasher .....	17-18
Care and Maintenance .....	18-19
Self Help .....	20-21
Customer Service .....	22
Statement of Warranties .....	23

## Safety Instructions - Please READ and Save This Information

### NOTICE

Never use steam cleaning products to clean your dishwasher. The manufacturer will not be liable for possible damages or consequences.

Never use harsh chemicals to clean your dishwasher. Some chloride-containing cleaning products can damage your dishwasher and may present health hazards!

It is highly recommended for the end use consumer to become familiar with the procedure to shut off the incoming water supply and the procedure to shut off the incoming power supply. See the Installation Instructions or speak with your installer for more information.

### WARNING

Misuse of the dishwasher can result in serious injury or death. Do not use the dishwasher in any way not covered in this manual or for any purpose other than those explained on the following pages.

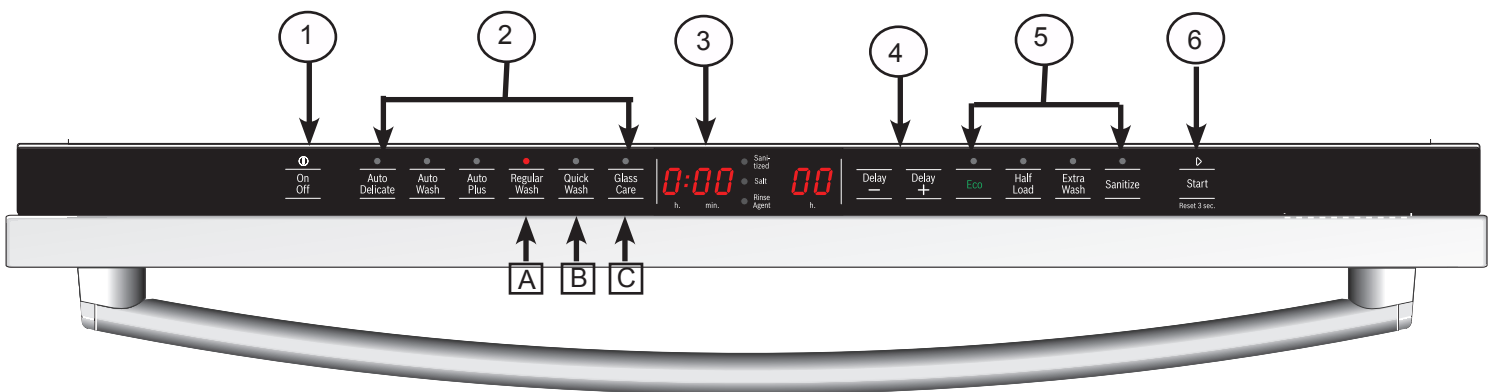
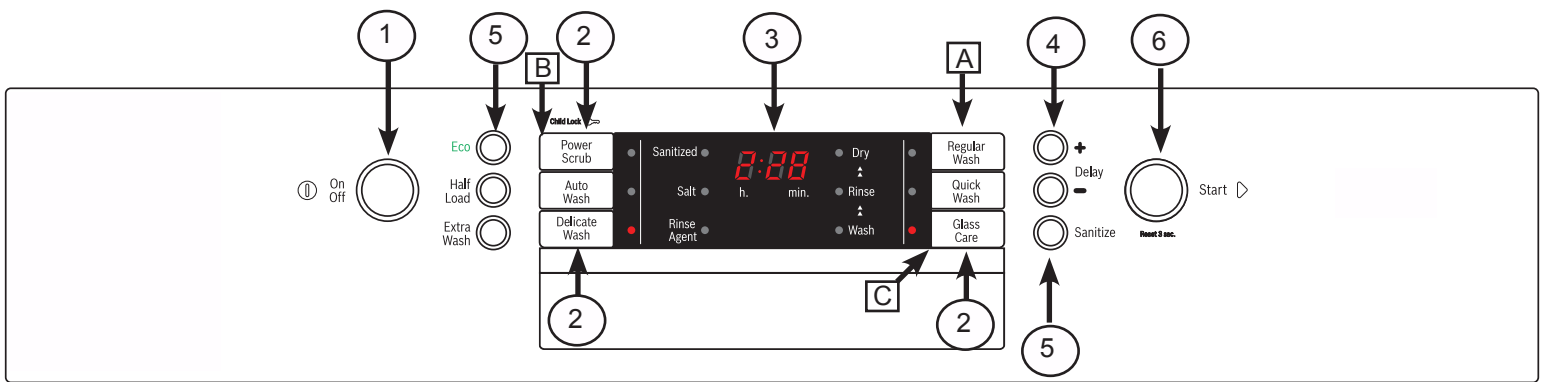
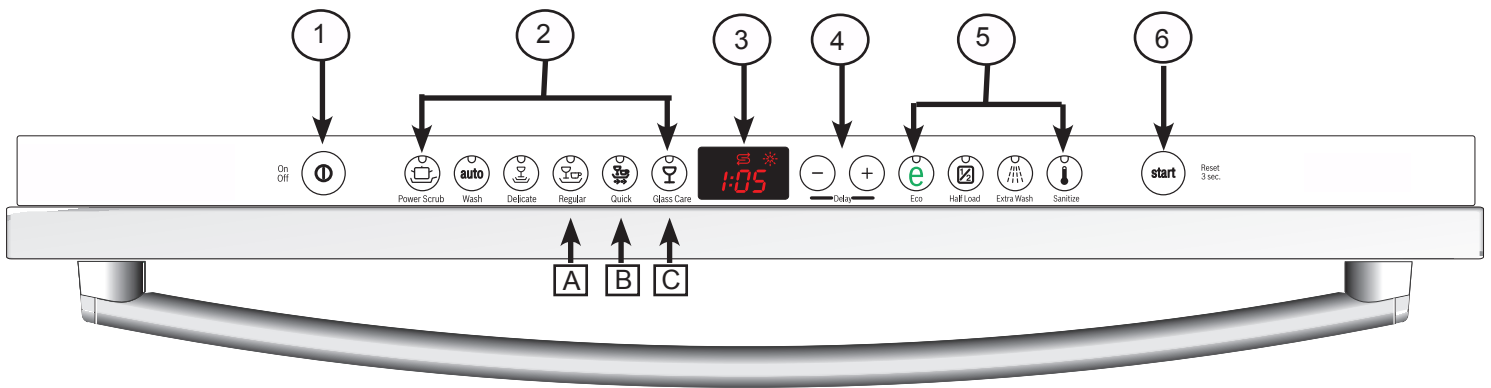
Severe product damage and/or injury could result from the use of unqualified service technicians or non-original replacement parts. All repairs must be performed by a qualified service technician using only original equipment factory replacement parts.

Electrical shock or fire could result if the electrical supply for the dishwasher covered in this manual is incorrectly installed or if the dishwasher has been improperly grounded. Do not use the dishwasher covered in this manual if you are not certain the electrical supply has been correctly installed or the dishwasher has been properly grounded.

### **Warning: To reduce the risk of fire, electrical shock, or serious injury, observe the following:**

- This appliance must be grounded to a metal, permanent wiring system, or an equipment grounding conductor must be run with the circuit conductors and connected to the equipment grounding terminal or lead on the dishwasher. See the **Installation Instructions** included with this dishwasher for more information on electrical requirements.
- Use this dishwasher only for its intended function, which is the washing of household dishware and kitchenware.
- This dishwasher is provided with **Installation Instructions** and this **Use and Care Manual**. Please read and understand all instructions before using the dishwasher.
- Use only detergents or rinsing agents recommended for use in a dishwasher, and keep them out of the reach of children.
- When loading items to be washed:
  - Locate sharp items so that they are not likely to damage the door seal.
  - Load knives and other sharp utensils with their HANDLES UP to reduce the risk of cut-type injuries.
- Do not wash plastic items unless they are marked "dishwasher safe" or the equivalent. For plastic items not so marked, check the manufacturer's recommendations.
- Do not operate your dishwasher unless all enclosure panels are in place.
- Do not tamper with or override controls and interlocks.
- Do not abuse, sit on, or stand on the door or dish racks of the dishwasher.
- To reduce the risk of injury, do not allow children to play in or on the dishwasher.
- When children become old enough to operate the appliance, it is the legal responsibility of the parents or legal guardians to ensure that they are instructed in safe practices by qualified persons.
- Under certain conditions, hydrogen gas may be produced in a hot water system that has not been used for two weeks or more. Hydrogen gas is explosive. Before using a dishwasher that is connected to a hot water system that has been unused for two weeks or longer, turn on all hot water faucets and let the water flow from each for several minutes. This will release any accumulated hydrogen gas. As the gas is explosive, do not smoke or use an open flame during this time.
- Remove the door to the washing compartment when removing an old dishwasher from service or discarding.
- To avoid floor damage and possible mold growth, do not allow wet areas to remain around or under the dishwasher.
- Protect your dishwasher from the elements. Protect against freezing to avoid possible damage to the fill valve. Damage caused by freezing is not covered by the warranty.

# Getting to know your Appliance



1 - On/Off Button

2 - Wash Cycles

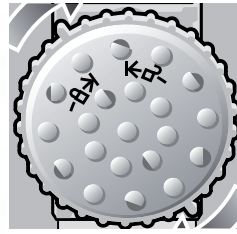
3 - Digital Display

4 - Delay Start

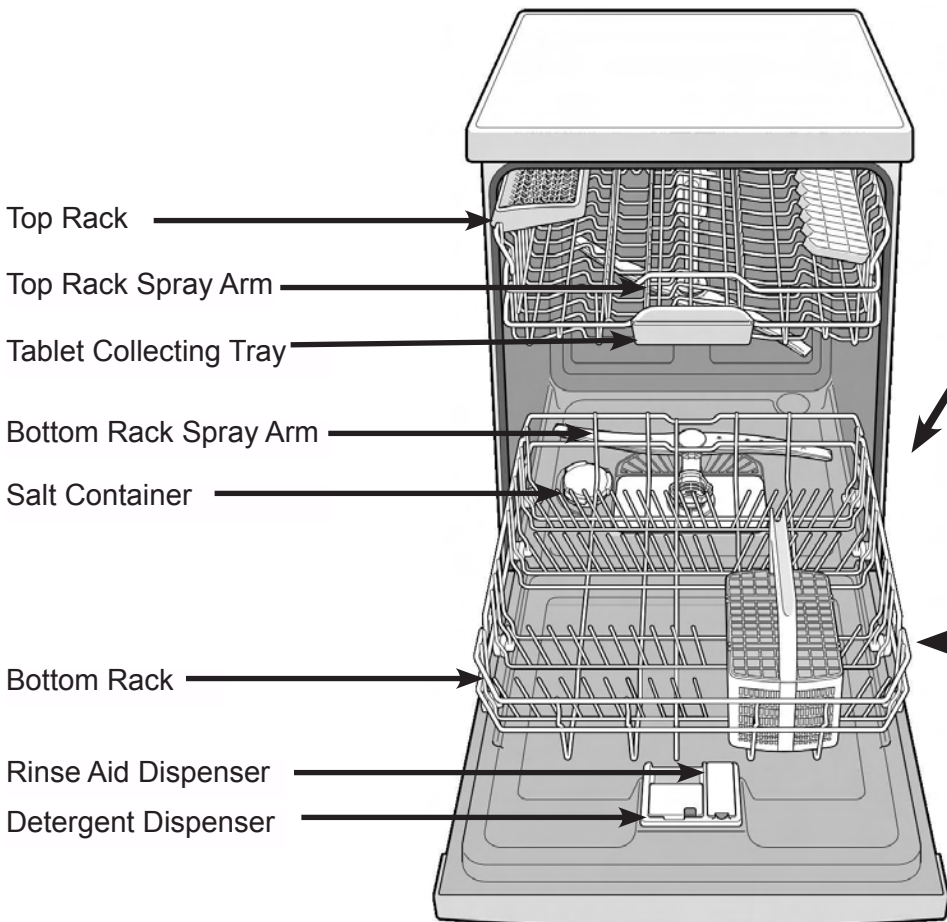
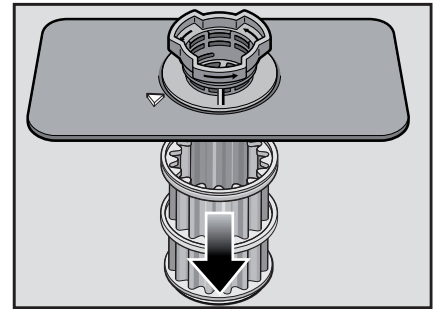
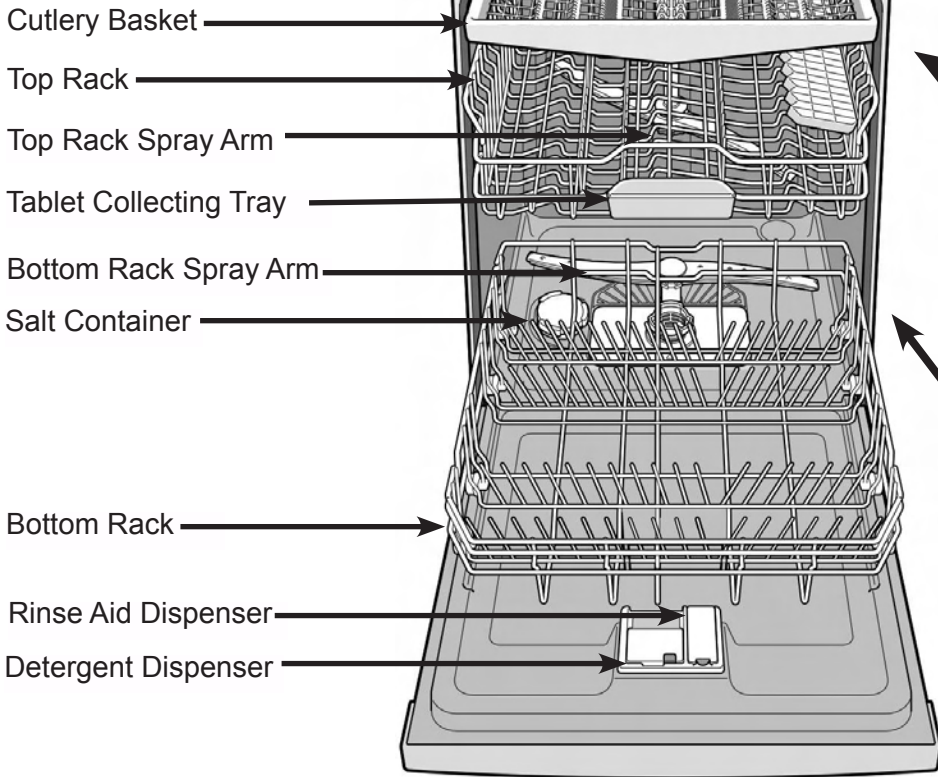
5 - Additional cycle options

6 - Start Button

# Dishwasher Components



Extra Tall  
Item Sprinkler  
(select models)



## Dishwasher setup

### Water softening system

The dishwasher requires soft water to ensure proper washing results. Your appliance is equipped with an internal water softening system. However, if you have a household water softening system, you will not need to use this softening system.

The required amount of salt depends on the degree of hardness of your tap water (See table for more information).

For the water softening system to function properly, it will need to use dishwasher water softener salt. The amount of salt dispensed can be set from "H:00" to "H:07". Salt is not required at H:00 (this is the default factory setting).

- Open the door (for hidden controls only).
- Turn the unit on using the **ON/OFF** button.
- Hold down the "A" button and press **START** button until the display indicates "H:00".
- Release both buttons.
- Press "B" to select the desired setting.

tap water hardness ppm CaCO <sup>3</sup> /l	set value at dishwasher	use salt
0 - 110	H:00	no
120 - 140	H:01	yes
150 - 180	H:02	yes
190 - 210	H:03	yes
220 - 290	H:04	yes
300 - 370	H:05	yes
380 - 540	H:06	yes
550 - 890	H:07	yes


Default setting from factory is H:00

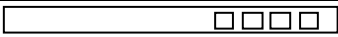
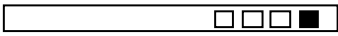

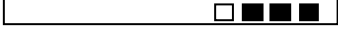

To change the setting,

- Press "C" button to select desired setting.
- Save the selected language by pressing the **START** button.
- Close the door (for hidden controls only).

NOTE: For information on how to use the water hardness test strip, provided in the detergent sample kit, please see below.

### Using a water hardness test strip

	Kurz eintauchen (1 sec), leicht abschütteln und nach 1 min ablesen. 4 grün/green/vert 1 rot/red/rouge 2 rot/red/rouge 3 rot/red/rouge 4 rot/red/rouge	Dip briefly (1 sec), shake off excess water and compare after 1 min.	Plongez brièvement (1 sec), égouttez l'excès d'eau et comparez après 1 min. <3°dH/ <3.75°e/ <5.4°f >4°dH/ >5°e/ >7.2°f >8,4°dH/ >10,5°e/>15,1°f >14°dH/ >17,5°e/>25,2°f >21°dH/>26,25°e/>37,8°f	<b>AQUADUR</b> <sup>®</sup> Teststäbchen zur Bestimmung der Wasserhärte Test stick for determination of water hardness Bandelette pour déterminer la dureté de l'eau	LOT 612
---	--	--	--	---	---------

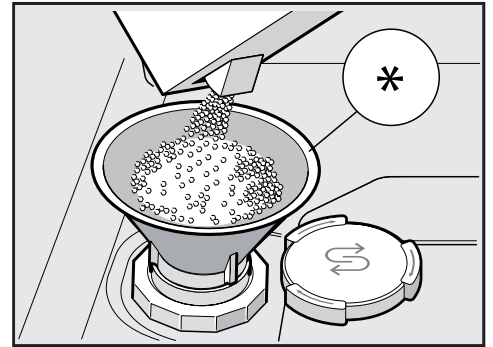
	Establishing the water hardness	Setting of Water	Fill with Salt
	Dip the test strip briefly into tap water for a second. Shake off excess water and compare after approx. 1 minute.	After 1 minute the red discoloration of the test areas will show you the correct setting.	Alignment of Softening Unit
	0	0	no
	1	0	no
	2	2	yes
	3	4	yes
	4	6	yes

## Salt

### Using salt

Refill the salt container (using the funnel supplied to pour) before switching on the unit to ensure that salt overflow is immediately washed away. This prevents corrosion.

- Open the screw-type cap of the salt container.
- Fill the tank with water (only required when switching on the unit for the first time).
- Add salt (dishwasher water softening salt) until the water is displaced and runs out.
- Fill with salt as soon as the salt refill indicator “S” or LED is lit.



\* model dependent

### WARNING

Never fill the salt dispenser with detergent. You will destroy the water softening system. To prevent corrosion, refill with salt and immediately begin any cycle.

NOTE: Refill salt in the appliance only when the salt refill indicator is lit.

Do not use salt tablets or any salt other than dishwasher water softening salt. For more information about ordering salt please contact Customer Service.

## Detergent

Use only detergent specifically designed for dishwashers. For best results, use fresh dishwashing detergent. The dishwasher is also equipped with a tablet collecting tray, designed to fully dissolve detergent tabs.

### NOTICE

To avoid dishwasher damage, do not use hand dishwashing products in your dishwasher.

This dishwasher uses less water so you need to use less detergent. With soft water, 1 tablespoon (15ml) of detergent will clean most loads. The detergent dispenser cup has lines that measure detergent to 1 tablespoon (15ml) and 1.75 tablespoons (25ml). 3 tablespoons (45ml) of detergent will completely fill the detergent dispenser cup.

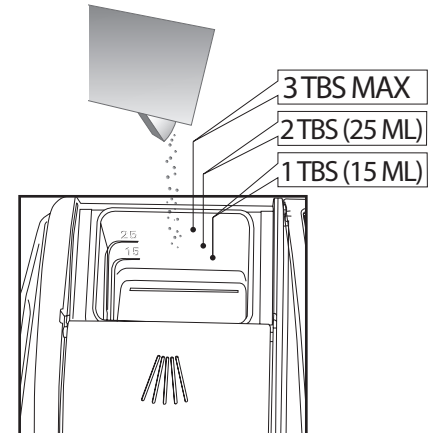
NOTE: If you do not know the hardness of your water supply, use 15ml of detergent. Increase the amount of detergent, if necessary, to the least amount required to get your dishware and kitchenware clean.

### To Close:

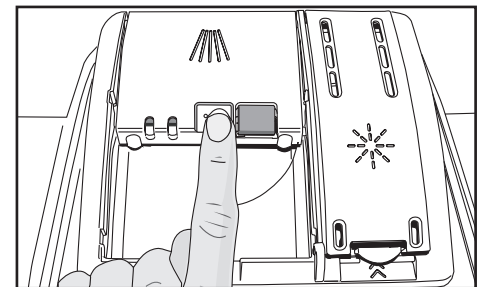
Place finger as shown above, slide forward, then press down FIRMLY until you hear a CLICK.

### To Open:

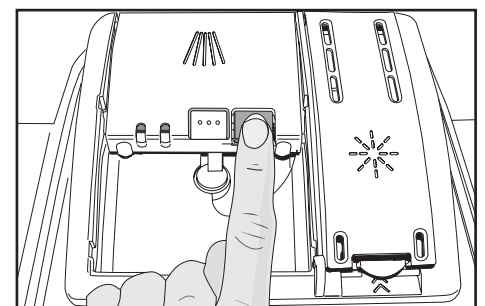
Push button as shown in the figure



Add Detergent



To close the cover



To open the cover

Table 1 - Recommended Detergent Amount


Wash Cycle	Unit	Water Type		
		Hard	Medium	Soft
Power Scrub	ml	45	45	25-45
	Tbsp	3	3	1.75 to 3
Auto Wash	ml	25-45	25	15-25
	Tbsp	1.75 to 3	1.75	1 to 1.75
Regular Wash	ml	25-45	25	15-25
	Tbsp	1.75 to 3	1.75	1 to 1.75
Delicate	ml	25	15-25	15
	Tbsp	1.75	1 to 1.75	1
Quick/ Glass Care	ml	25	15-25	15
	Tbsp	1.75	1 to 1.75	1

## Rinse Agent

To achieve proper drying, always use a liquid rinse agent, even if your detergent contains a rinse agent or drying additive.

### Rinse Agent Dispenser

Open the rinse agent dispenser by lifting the tab with your thumb.

NOTE: The dishwasher indicates low rinse agent either by showing the symbol  in the countdown display, or illuminating the refill rinse agent light (model dependent).

Add liquid rinse agent to the dispenser as shown until the rinse agent reservoir is full. Wipe up any excess rinse agent that puddles when the dispenser reservoir is full.

### Setting amount of rinse-aid

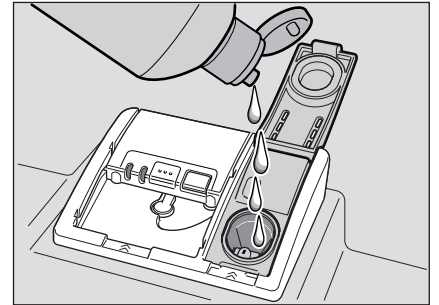
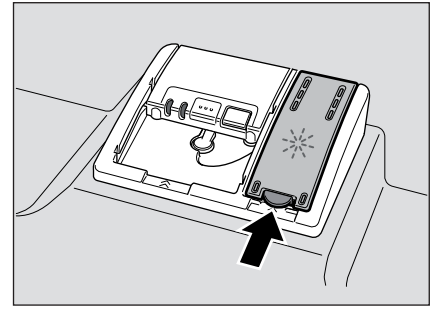
The amount of rinse-aid dispensed can be set from “r:00” to “r:06” .

- Open the door (for hidden controls only).
- Turn unit on by pressing the **ON/OFF** button.
- Hold down button “A” (see page 4) and press START until the display indicates “H:00”
- Press “A” button until the display indicates “r:05”.
- Release both buttons.
- Press “C” to select the desired setting.
  - “r:00” means the Rinse Agent dispenser is off.
  - “r:01” means the Rinse Agent dispenser is at the lowest setting.
  - “r:02” means the Rinse Agent dispenser is low setting.
  - “r:03” means the Rinse Agent dispenser is medium setting.
  - “r:04” means the Rinse Agent dispenser is medium high setting.
  - “r:05” means the Rinse Agent dispenser is high setting.
  - “r:06” means the Rinse Agent dispenser is at the highest setting
- Save the selected language by pressing the **START** button.
- Close the door (for hidden controls only).

### Switching off rinse-aid refill indicator

- Set the rinse aid option to **r:00**

NOTE: Do not change the amount of rinse-aid unless there are streaks (select lower setting) or water stains (select higher setting) visible on the utensils.





## Dishware Materials

**NOTE:** Before using your dishwasher for the first time, check the information in this section. Some items are not dishwasher safe and should be hand-washed; others require special loading. Contact the item's manufacturer if you are unsure about the item's dishwasher suitability.

### Recommended

**Aluminum:** Colored anodized aluminum may fade over time. Minerals in your water may cause the aluminum to darken or spot. This can usually be removed by using a soap-filled steel wool pad.

**China, Crystal, Stoneware:** Some hand-painted pieces may discolor, fade, or spot. Hand-wash these pieces. Position fragile glassware so that it will not topple over or contact other pieces during the wash cycle.

**Glass:** Milk glass may yellow.

**Non-Stick Coatings:** Apply a light coating of vegetable oil to non-stick surfaces after drying.

**Plastics:** Make sure the piece is dishwasher safe.

**Stainless Steel, Sterling Silver, and Silver Plate:** Place these pieces so that they do not contact dissimilar metals.

### Not Recommended

**Acrylic:** crazing (small cracks throughout the acrylic) may occur.

**Adhesive-Joined Pieces:** Adhesives that join materials such as plastic, wood, bone, steel copper, tin, etc. may loosen.

**Bone-Handled Utensils:** Handles may separate.

**Iron:** Iron will rust. Hand-wash and dry immediately.

**Non-Dishware Items:** Your dishwasher is intended for use in cleaning ONLY standard household dishware and kitchenware.

**Pewter, Brass, Bronze:** Pewter will tarnish. Hand-wash and dry immediately.

**Tin:** Tin will rust. Hand-wash and dry immediately.

**Wood:** Wooden bowls, wooden utensils, and wood-handled utensils can crack, warp, and lose their finish.

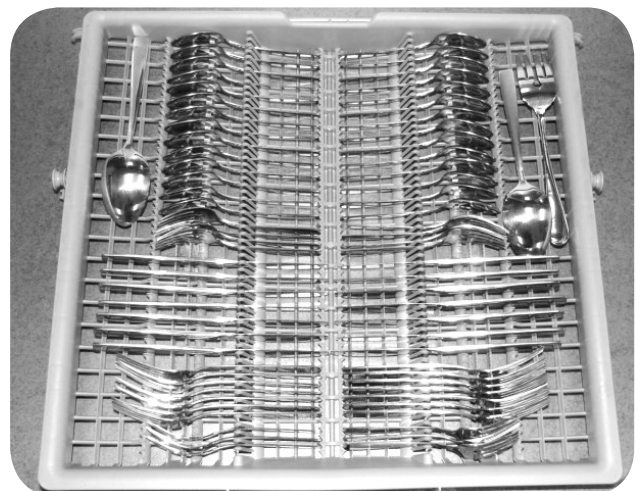
UPPER RACK - 14 PLACE SETTING



LOWER RACK - 14 PLACE SETTING



CUTLERY RACK - 14 PLACE SETTING



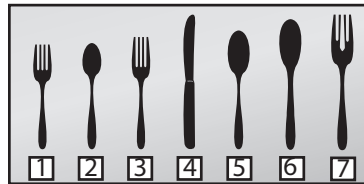
UPPER RACK - 12 PLACE SETTING



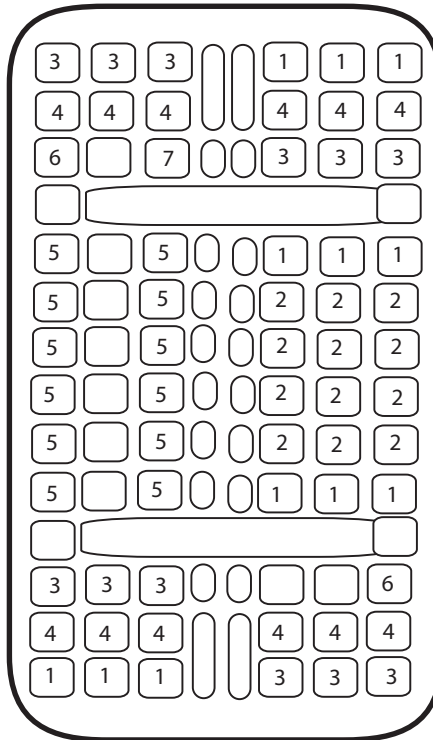
LOWER RACK - 12 PLACE SETTING



SILVERWARE BASKET - 12 PLACE SETTING



- 1 - Salad Fork
- 2 - Tea Spoon
- 3 - Dinner Fork
- 4 - Knife
- 5 - Table Spoon
- 6 - Serving Spoon
- 7 - Serving Fork



**Loading the Dishwasher**

Do not pre-wash items having loosely-attached soiling. Remove large food particles, bones, seeds, toothpicks, and excessive grease. Items having burned-on, baked-on or starchy soils may require pre-treatment.

Load only dishwasher-safe items into the dishwasher. Load dishes in the dishwasher racks so that the insides of bowls, pots, and pans are face downwards. Avoid nesting and contact points between dishes. Separate items of dissimilar metals.

UPPER RACK - 10 PLACE SETTING



LOWER RACK - 10 PLACE SETTING



CUTLERY RACK - 10 PLACE SETTING



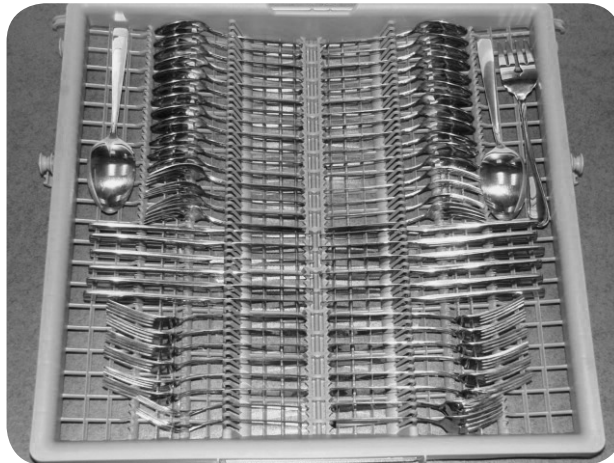
UPPER RACK - 12 PLACE SETTING



UPPER RACK - 12 PLACE SETTING



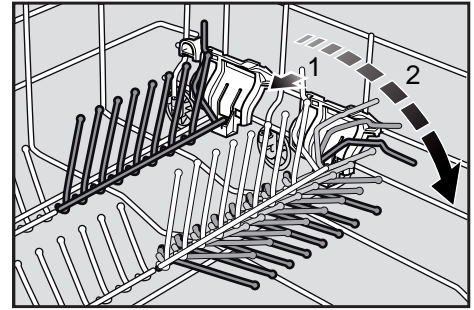
CUTLERY RACK - 12 PLACE SETTING



## Rack Accessories

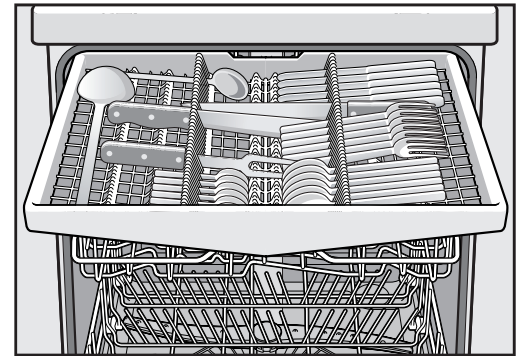
### Flip Tines \*

Flip Tines fold down to make loading the racks easier in some instances. Grasp the tines, release from notch, and fold the tines downward. When the top rack is loaded, push it into the dishwasher.



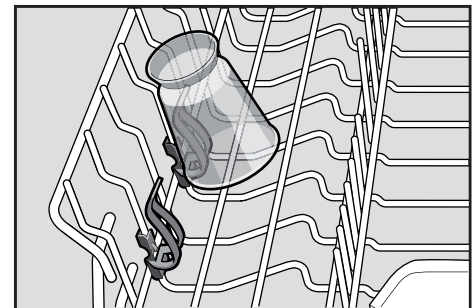
### Cutlery drawer \*

Arrange the cutlery in the cutlery rack as illustrated. Separately arranged utensils are easier to remove after washing. The rack is removable.



### Plastic Item Clips \*

Light-weight plastic accessories, e.g. cups, lids, etc. can be held securely by the small accessories holders.

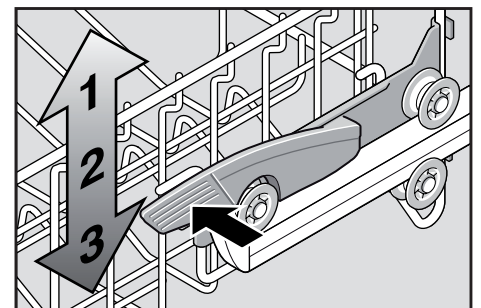


### Adjusting the height of the rack

The height of the upper rack can be adjusted in 3 stages to create more space either in the upper or lower rack.

- Pull out the top rack.
- To lower the rack, push the lever inwards then upwards.
- To raise the rack, hold the basket on the sides of the upper edge and lift it up.

Before re-inserting the rack again, ensure that it is at the same height on both sides. Otherwise, the appliance door cannot be closed and the upper spray arm will not be connected to the water circuit.



\* model dependent

## Wash Cycle Information

### Power Scrub Plus

Cleans items having baked-on or hard dried-on food soils. These items may require soaking or hand scouring.

### Auto Wash

Takes the guesswork out of cycle selection. The sensors in the dishwasher automatically adjust cycle length, temperature and water changes based on the soil load. This cycle is appropriate for mixed loads.

### Delicate Wash

For delicate or heirloom dishwasher and silverware or other special items. Always make sure that the items are dishwasher safe. Refer to the Materials section of this manual for further information. Hand washing may be the best treatment of such items.

### Regular Wash

Thoroughly cleans large loads having loosely attached normal soiling.

### Quick Wash

For lightly soiled items with easy to remove food soils.

### Glass Care

A cycle for lightly soiled dishes which is ideal for temperature sensitive dishes or cutlery. In this cycle the temperature is reduced to help prevent dishes from becoming damaged. It is especially helpful to reduce a cloudy or etched appearance on glasses.

Note: Some glasses are more prone to etching due to the glass manufacturing process

	Power Scrub Auto Plus	Auto Wash	Delicate Wash Auto Delicate	Regular Wash	Quick Wash	Glass Care
<b>cycle time [min]</b>	110 - 135	105 - 129	80 - 85	95 - 119	30	70
<b>water consumption [l]</b>	18.1 - 23.7	12.6 - 19.8	8.3 - 13.9	5.8 - 16.9	10.3	12.9
<b>[gal]</b>	4.8 - 6.3	3.3 - 5.2	2.2 - 3.7	1.5 - 4.5	2.7	3.4
<b>wash temperature [°C]</b>	66 - 71	55 - 66	45 - 50	50 - 55	45	50
<b>wash temperature [°F]</b>	150 - 160	130 - 150	113 - 122	122 - 131	113	122
<b>rinse temperature [°C]</b>	69	69	63	52 - 69	50	60
<b>rinse temperature [°F]</b>	156	156	145	126 - 156	122	140
<b>With Half Load Option</b>						
<b>cycle time [min]</b>	115	95 - 105	75 - 80	90 - 99		65
<b>water consumption [l]</b>	17.5	8.9 - 14.5	8.3 - 11.9	10.4 - 13.5		11.7
<b>[gal]</b>	4.6	2.4 - 3.8	2.2 - 3.1	2.7 - 3.6		3.1
<b>With Sanitize Option</b>						
<b>cycle time [min]</b>	125 - 145	120 - 140		115 - 130		
<b>water consumption [l]</b>	18.1 - 23.7	12.6 - 19.8		5.8 - 16.9		
<b>[gal]</b>	4.8 - 6.3	3.3 - 5.2		1.5 - 4.5		
<b>With Extra Wash Option</b>						
<b>cycle time [min]</b>	145	120 - 140	95 - 105	115 - 135		85
<b>water consumption [l]</b>	23.7	12.6 - 19.8	8.3 - 13.9	5.8 - 16.9		12.9
<b>[gal]</b>	6.3	3.3 - 5.2	2.2 - 3.7	1.5 - 4.5		3.4
<b>With EcoAction Option</b>						
<b>cycle time [min]</b>	105 - 120	100 - 115	75 - 80	100 - 110		65
<b>water consumption [l]</b>	18.1 - 23.7	12.6 - 19.8	8.3 - 13.9	5.8 - 16.9		10.9
<b>[gal]</b>	4.8 - 6.3	3.3 - 5.2	2.2 - 3.7	1.5 - 4.5		2.9

## Additional Options

\* model dependant

### Half Load \*

If you have only a few items to wash (e.g. glasses, cups, plates), you can switch to “half load”. This will save water, energy and time. It is recommended to put a little less detergent in the detergent dispenser than for a full load.

### Extra Wash \*

Cycle option can be selected to increase wash performance with more water used in extra sequences and at higher temperatures.

### Sanitize option \*

All models are designed to sanitize the loaded dishes. You must press the Sanitize Option button to active the Sanitation features. The technical Sanitation measures may also improve the drying results

### Eco Action \*

Lowers temperature and slightly increase cycle length to maintain performance while lowering energy usage.

## Additional Features

### EcoSense Wash Management System\*

An advanced sensor system determines the soil level in the wash water and automatically deletes fresh water fills if they're not needed, saving you time and money, while cutting energy usage.

### Sanitized

A dishwasher cycle that has the Sanitized symbol has been tested to meet very strict requirements of wash time and water temperature to ensure dishware and kitchenware sanitization.

### Time remaining Indicator

When the program is selected, the remaining running time of the program is indicated on the digital display. The running time is determined during the program by the water temperature, the number of utensils as well as the degree of soiling and may vary (depending on the selected program).

### InfoLight\*

An LED illuminates the floor to indicate unit is running. Do not open the dishwasher door until the LED is no longer visible on the floor.

If the appliance is installed at eye-level, the LED is not visible.

- Turn unit on by pressing the ON/OFF button.
- Hold down button “**A**” and press START until the display indicates “H:00”. Release both buttons
- The LED for “**A**” flashes and display indicates “**H:04**”.
- Press “**A**” until the display shows “**1:01**”
- Press “**C**” to switch between “**1:01**” and “**1:00**” and press START to save.

## Delay start

You can delay the start of the program in 1-hour steps up to 24 hours.

- Open the door (for hidden controls only). Turn unit on using the ON/OFF button.
- Press “+” button until the timer programming display jumps to 01 .
- Press + or – button until the displayed time corresponds with your requirements.
- Press START button. Delay start is activated.

To cancel delay start:

- Press the + or – button until “00” is indicated on the digital display.

You can change your program selection at any time until the program starts.

- Close the door (for hidden controls only).

## Cycle Completion Signal

The cycle completion is also indicated by a tone. This function can be changed as follows:

- Open the door (for hidden controls only). Turn unit on using the ON/OFF button.
- Hold down “A” button and press START button until the display shows H:00.
- Release both buttons.
- Press “A” until the display shows “b:02”.
- Press “C” to increase or decrease the tone.
- **b:00** = Off and **b:03** = loudest
- Press **START** to save the setting.

## Intensive drying

The final rinse uses a higher temperature which improves the drying result.

The running time may increase slightly. (Caution if utensils are delicate!)

- Open the door. (for hidden controls only). Turn unit on using the ON/OFF button. Hold down “A” button and press START the digital display shows “H:00”.
- Release both buttons.
- Press button “A” until the display indicates “d:00”

To change the setting,

- Press button “C” (see page 4) to turn intensive drying ON = d:01 or OFF = d:00
- Press START button. The set value is saved.
- Close the door (for hidden controls only).

## Operating the Unit

### Switching on the appliance

- For hidden controls, open the door.
- Turn unit on by pressing the ON/OFF switch. The display of the last selected program flashes.
- The expected program duration flashes on the digital display.
- Press the START button.
- Close the door. The program starts running.

### Interrupting the cycle

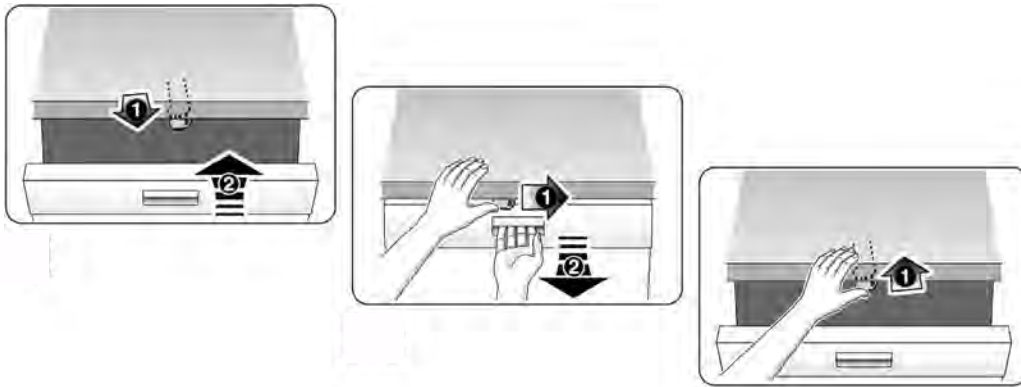
- Open the door (for hidden controls only).
- Press the ON/OFF button. The LEDs go out. The program is saved. If the door was opened on an appliance which has a warm water connection or is heated, first leave the door ajar for several minutes and then close. Otherwise, expansion (pressure) may cause the appliance door to spring open or water to run out of the appliance.
- To continue the program, switch on the ON/OFF switch again.
- Close the door.

## Terminating the program

When the display indicates “0:00” it means the cycle has ended. The end of cycle is also indicated by a cycle completion signal in select models.

- Turn unit on using the ON/OFF button.
- Hold down button “A” button and press START until the display indicates “0:01”
- Close the door. The program sequence lasts approx. 1 min.
- The display will indicate 0:00
- Close the door (for hidden controls only).

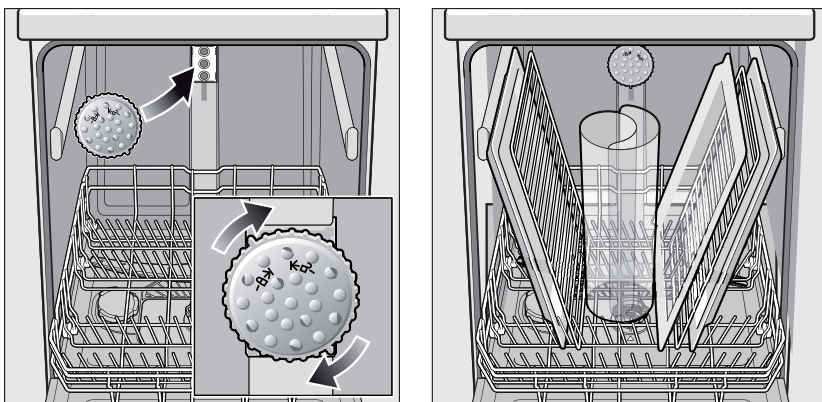
## Child-proof lock \* (select models)



The Child Safety Lock is designed to prevent children from opening the dishwasher.

- To lock the door, push the slider below the door grip to the right.
- To unlock the door, push the slider to the left.

## Extra Tall Item Sprinkler \*



If an item is too tall to be placed into the bottom rack even with the top rack in the raised position, remove the empty top rack by pulling it out of the dishwasher until it stops rolling. Pull the front of the rack upward and outward until the rollers are completely free of the roller guides. Set the top rack aside. Push the roller guides back into the dishwasher.

Insert the Extra Tall Item Sprinkler into the top rack spray outlet and turn the sprinkler clockwise to lock it into position as shown above. Place your extra tall item(s) in the bottom rack as shown above.



## Maintenance and Care

A regular inspection and maintenance of your machine will help to prevent faults. This saves time and prevents problems.

### Overall condition of the machine

Check spray arm for grease and limescale deposits.

If you find such deposits:

- Fill detergent dispenser with detergent.
- Start the appliance without utensils in the program with the highest rinsing temperature.

Clean the appliance with detergents/appliance cleaners which are particularly suitable for use with dishwashers.

- Regularly clean door seal with a damp cloth.

Never use a steam cleaner to clean your dishwasher. The manufacturer is not liable for any consequential damage.

Regularly wipe the front of the appliance and fascia with a damp cloth; water and a little washing up liquid are adequate.

Do not use sponges with a rough surface or abrasive detergents, as these could scratch the surfaces.

**Stainless steel appliances:** To prevent corrosion, avoid using sponge cloths or wash them out thoroughly several times before using for the first time.

### Filters

The filters keep large foreign objects in the rinsing water away from the pump. These foreign objects may occasionally block the filters.

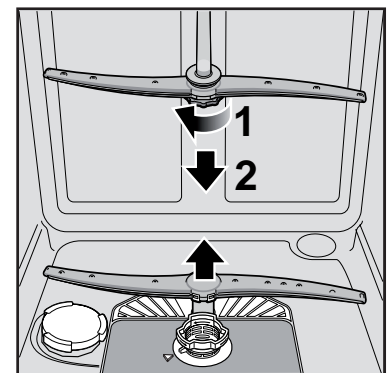
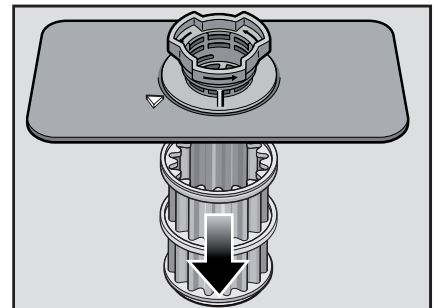
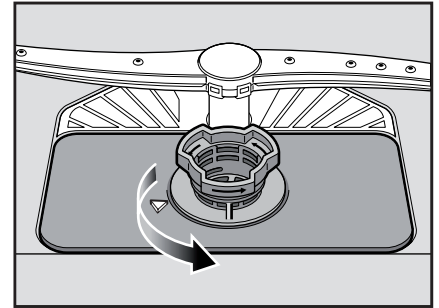
The filter system consists of a coarse filter, a flat fine filter and a microfilter.

- After each washing cycle check the filters for residue.
- Unscrew filter cylinder as illustrated and take out filter system.
- Remove any residue and clean filters under running water.
- Re-install filter system in reverse sequence and ensure that the arrow marks are opposite each other after closing the filter system.

### Spray arms

Limescale and contaminants in the rinsing water may block nozzles and bearings on the spray arms.

- Check outlet nozzles on the spray arms for blockages.
- Unscrew the upper spray arm.
- Remove the lower spray arm.

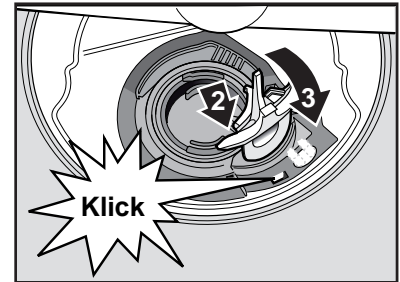
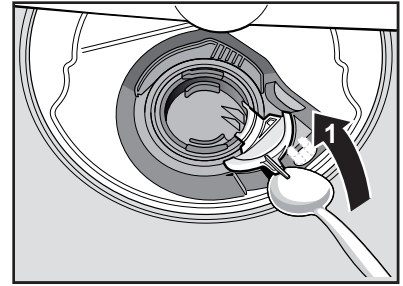


## Waste water pump

Large food remnants in the rinsing water not retained by the filters may block the waste water pump. The rinsing water does not get pumped out and covers the filter.

In this case:

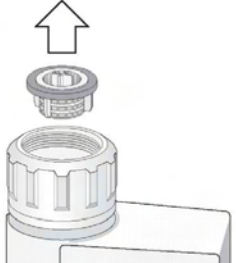
- Disconnect the appliance from the power supply.
- Remove the filters.
- Scoop out water, use a sponge if required.
- Using a spoon, prise off pump cover(as illustrated) until it clicks, then grip the cover by the lug and first pull it upwards until it resists and then pull it out forwards.
- Check inner compartment and remove any foreign objects.
- Place cover in the original position, press down and engage.
- Install filters



## SELF HELP

Dishwashers may occasionally exhibit problems that are unrelated to a malfunction of the dishwasher itself. The following information may help you with a dishwasher problem without involving a repair professional.

Problem	Cause	Action
Dishwasher does not start	<ol style="list-style-type: none"> <li>1. Door may not be properly latched.</li> <li>2. Unit may not be turned on.</li> <li>3. Unit not reset or previous cycle not completed.</li> <li>4. Delay start engaged.</li> <li>5. Interruption of electrical power supply to dishwasher or blown fuse.</li> <li>6. Child lock activated (select models).</li> <li>7. The door may have been closed without first selecting a cycle.</li> <li>8. Water supply may not be turned on.</li> </ol>	<ol style="list-style-type: none"> <li>1. Shut the door completely.</li> <li>2. Press the main power switch to turn unit on.</li> <li>3. To reset, refer to "Canceling or changing the cycle" section in this manual.</li> <li>4. To reset, refer to "Delay Start" section in this manual.</li> <li>5. Check circuit breaker.</li> <li>6. Deactivate the child lock. Refer to "Child Lock" section in this manual if applicable.</li> <li>7. Select a cycle and close the door.</li> <li>8. Check and turn on water supply.</li> </ol>
Dishwasher beeping (end of cycle signal)	Default factory settings alert the customer that the cycle has completed by beeping. This feature can be deactivated if so desired.	To adjust the volume or deactivate, refer to "Cycle Completion Signal" section in this manual.
Display does not illuminate or console lights are not on	<ol style="list-style-type: none"> <li>1. A fuse may have been blown or circuit breaker tripped.</li> <li>2. Door not closed or latched.</li> </ol> <p>Note: For models with controls on the top portion of the door, the display only illuminates when the door is opened and controls are visible.</p>	<ol style="list-style-type: none"> <li>1. Check the fuse or circuit breaker box and replace the fuse or reset the breaker if necessary.</li> <li>2. Ensure that door is properly latched and completely closed.</li> </ol>
Dishwasher seems to run a long time	<ol style="list-style-type: none"> <li>1. Incoming water is not warm enough.</li> <li>2. Cycle time can vary due to soil and water conditions.</li> <li>3. Rinse agent dispenser is empty.</li> <li>4. Dishwasher connected to cold water supply.</li> </ol> <p>Note: Refer to "Cycle Chart Data" section in this manual for typical cycle length.</p>	<ol style="list-style-type: none"> <li>1. Before starting a cycle, run hot water faucet at the sink nearest to the dishwasher.</li> <li>2. Sensors in the dishwasher automatically increase the cycle time to ensure a good wash when heavy soil is detected.</li> <li>3. Add rinse agent.</li> <li>4. Verify dishwasher is connected to hot water supply plumbing.</li> </ol>
Dishes aren't getting clean enough	<ol style="list-style-type: none"> <li>1. Spray arm movement is obstructed.</li> <li>2. Spray arm nozzles clogged.</li> <li>3. Improper use of detergents.</li> <li>4. Filters could be clogged.</li> <li>5. Dishes are nested or loaded too close together.</li> <li>6. Selected wash cycle is not suitable for food soil conditions.</li> </ol>	<ol style="list-style-type: none"> <li>1. Ensure that spray arm movement is not blocked by hand rotating spray arms.</li> <li>2. Remove the spray arms and clean according to "Check/Clean the Spray Arm Nozzles" in Care and Maintenance section of this manual.</li> <li>3. Increase or decrease detergent depending on the water hardness. Refer to Table under "Adding Detergent and Rinse Agent".</li> <li>4. Clean the filter. Refer to "Check/Clean the Filter System" under Care and Maintenance section of this manual.</li> <li>5. Rearrange load such that water spray can reach all items in the dishwasher. See also "Preparing and Loading" section of this manual.</li> <li>6. Refer to "Wash Cycle" section in Operating the Dishwasher section of this manual.</li> </ol>
Dishes are not getting dry enough	<ol style="list-style-type: none"> <li>1. Rinse agent dispenser is empty. (Rinse agent indicator is activated).</li> <li>2. Improper loading of dishes.</li> <li>3. Selected cycle does not include drying.</li> </ol> <p>Note: Plastic or Teflon do not typically dry as completely as other items due to their inherent properties.</p>	<ol style="list-style-type: none"> <li>1. Add rinse agent. The use of rinse agent improves drying.</li> <li>2. Rearrange load to ensure items are not nested. Refer also to the "Preparing and Loading" section of this manual.</li> <li>3. Rinse and Hold setting does not include drying cycle.</li> </ol> <p>Note: Select models offer an extra heating options to improve drying performance. Refer to "Wash Cycle options" under the Operating the Dishwasher section of this manual.</p>
Odor	<ol style="list-style-type: none"> <li>1. Food debris is present at the bottom of the dishwasher.</li> <li>2. Food particles are present near the door seal.</li> <li>3. Dishes left too long in unit before running a cycle.</li> <li>4. Residual water is present at the bottom of the dishwasher.</li> <li>5. Drain hose is obstructed.</li> </ol>	<ol style="list-style-type: none"> <li>1. Remove the filters and clean according to the "Check/Clean the Filter System" section of this manual.</li> <li>2. Refer to "Clean the Door Gasket and Door Seal" in the Care and Maintenance section of this manual.</li> <li>3. Run a Rinse/Hold cycle if you do not intend to immediately wash the dishes.</li> <li>4. Ensure the unit has completely drained from the last cycle. Refer to the "Canceling or changing the cycle" section of this manual.</li> <li>5. Remove any obstructions from the drain hose by calling qualified personnel.</li> </ol> <p>Note: If odor still persists, run the Normal/Regular cycle until it flushes and interrupt the cycle and place an 8 oz. cup of distilled white vinegar solution on the top rack and then finish the cycle.</p>

Problem	Cause	Action
Dishwasher not filling with water	<ol style="list-style-type: none"> <li>1. Restriction in the water supply system.</li> <li>2. Previous wash cycle was not completed.</li> <li>3. Delay-start is active.</li> </ol>	<ol style="list-style-type: none"> <li>1. Ensure that the water supply valve (typically located under kitchen sink) is open and check that the water supply line has no kinks and clogs.</li> <li>2. Refer to the "Canceling or changing the cycle" section of this manual.</li> <li>3. Cancel the delay-start or wait until delay-start time completes (times out). Refer to the "Delay Start" section of this manual.</li> </ol>
Water Leaks	<ol style="list-style-type: none"> <li>1. Suds</li> <li>2. Door seal could be pulled away from track.</li> <li>3. Condensation vent is blocked.</li> <li>4. Improper installation.</li> </ol>	<ol style="list-style-type: none"> <li>1. Wrong type of detergent results in suds and leaks. Use only dishwasher detergents. If suds still persist, then add one tablespoon of vegetable oil at the bottom of the dishwasher and run the desired cycle.</li> <li>2. Ensure that door seal is in the track.</li> <li>3. Ensure that condensation vent is not blocked. Refer to "Loading Extra Tall Items" in the Preparing and Loading the Dishwasher section of this manual.</li> <li>4. Have proper installation verified by qualified personnel (water supply, drain system, leveling, plumbing).</li> </ol>
Tub stains	<ol style="list-style-type: none"> <li>1. Stains on the dishwasher interior are due to hardness of water.</li> <li>2. Silverware in contact with tub.</li> </ol>	<ol style="list-style-type: none"> <li>1. Concentrated Lemon juice can reduce the build up of hard water stains. Run a normal cycle until it flushes and interrupt the cycle and then place an 8 oz. cup of the concentrated lemon solution on the top rack and finish the cycle. This can be done periodically to avoid build up.</li> <li>2. Ensure that the silverware does not make contact with the tub while running a cycle.</li> </ol>
Streaks on glass-ware or residue on the dishes	Incorrect rinse agent setting.	Depending on the hardness of water, adjust the rinse agent dispenser. Refer to "Adding Detergent and Rinse Agent" section in this manual for adjustment.
Fascia panel discolored or marked	Abrasive cleaner used.	Use mild detergents with soft damp cloth.
Noise during wash cycle	The dishes may not be arranged properly.	Water circulation sound is normal, but if you suspect items are banging into each other or into the spray arms, refer to the "Preparing and Loading" section of this manual for optimal arrangement.
Detergent dispenser cover will not shut	<ol style="list-style-type: none"> <li>1. Improper operation of detergent cover.</li> <li>2. Previous cycle has not been finished, reset, or cycle was interrupted.</li> </ol>	<ol style="list-style-type: none"> <li>1. Refer to "Adding Detergent and Rinse Aid" section of this manual for instructions on opening and closing the dispenser.</li> <li>2. Refer to the "Canceling or changing the cycle" section of this manual.</li> </ol>
Unable to select desired cycle	Previous cycle has not finished or another cycle has already started.	Refer to the "Canceling or changing the cycle" section of this manual.
Error Codes	If fault code (E01 to E30) is indicated on the digital display 3, first disconnect the appliance from the power supply. You can rectify certain faults yourself (see following fault description), for all other faults please contact customer service and state the indicated fault E:XX.	
Water is left in the appliance at the end of the programme	<ol style="list-style-type: none"> <li>1. (E24) Waste water hose is blocked or kinked.</li> <li>2. (E25) Waste water pump blocked, cover on the waste water pump is not locked in position</li> <li>3. Filters blocked.</li> <li>4. The programme has not yet ended.</li> </ol>	<ol style="list-style-type: none"> <li>1. See Care and Maintenance.</li> <li>2. Wait until programme ends (digital display indicates 0:00) or implement the "Reset" function.</li> </ol>
"Check water supply" display lights up	<ol style="list-style-type: none"> <li>1. Tap turned off.</li> <li>2. Water supply interrupted.</li> <li>3. Supply hose kinked.</li> <li>4. Filter in the water supply blocked</li> </ol>	<ol style="list-style-type: none"> <li>1. Switch off the appliance and pull out the main plug.</li> <li>2. Turn off the tap.</li> <li>3. Clean filter in the supply hose.</li> <li>4. Reconnect power supply.</li> <li>5. Turn on the tap.</li> <li>6. Switch on the appliance.</li> </ol> 

## Customer Service

Your dishwasher requires no special care other than that described in the Care and Maintenance section of the Use and Care Manual. If you are having a problem with your dishwasher, before calling for service please refer to the Self Help section in the Use and Care Manual. If service is necessary, contact your dealer or installer or an authorized service center. Do not attempt to repair the appliance yourself. Any work performed by unauthorized personnel may void the warranty.

If you are having a problem with your dishwasher and are not pleased with the service you have received, please take the following steps (in the order listed below) until the problem is corrected to your satisfaction:

1. Contact your installer or the Authorized Service Contractor in your area.
2. E-mail us from the customer service section of our website, [www.boschappliances.com](http://www.boschappliances.com).
3. Write us at the address below:  
BSH Home Appliances, Corp.  
5551 McFadden Avenue  
Huntington Beach, CA 92649
4. Call Customer Service at 1-800-944-2904.  
Please be sure to include (if you are writing), or have available (if you are calling), the following information:
  - Model number
  - Serial number
  - Date of original purchase
  - Date the problem originated
  - Explanation of the problem

## Warranty Information

### Statement of Limited Product Warranty

**What this Warranty Covers & Who it Applies to:** The limited warranty provided by BSH Home Appliances (“Bosch”) in this Statement of Limited Product Warranty applies only to Bosch dishwashers (“Product”) sold to you, the first using purchaser, provided that the Product was purchased: (1) for your normal, household (non-commercial) use, and has in fact at all times only been used for normal household purposes; (2) new at retail (not a display, “as is”, or previously returned model), and not for resale, or commercial use; and (3) within the United States or Canada, and has at all times remained within the country of original purchase. The warranties stated herein apply only to the first purchaser of the Product and are not transferable.

- Please make sure to return your registration card; while not necessary to effectuate warranty coverage, it is the best way for Bosch to notify you in the unlikely event of a safety notice or product recall.

**How Long the Warranty Lasts:** Bosch warrants that the Product is free from defects in materials and workmanship for a period of three hundred sixty five (365) days (i.e., 1 year) from the date of purchase. The foregoing timeline begins to run upon the date of purchase, and shall not be stalled, tolled, extended, or suspended, for any reason whatsoever. Labor and shipping costs are included in this basic coverage.

**Extended Limited Warranty:** Bosch also provides these additional limited warranties:

- **2 Year Limited Warranty:** Bosch will repair or replace any component that proves to be defective in materials or workmanship (excludes labor charges).
- **5 Year Limited Warranty on Electronics:** Bosch will repair or replace any Bosch microprocessor or printed circuit board if it proves to be defective in materials or workmanship (excludes labor charges).
- **5 Year Limited Warranty on Dish Racks:** Bosch will replace the upper or lower dish rack (excluding rack components), if the rack proves defective in materials or workmanship (excludes labor charges).
- **Lifetime Warranty against Stainless Steel Rust Through:** Bosch will replace your dishwasher with the same model or a current model that is substantially equivalent or better in functionality, if the inner liner should rust through (excludes labor charges). Bosch will replace the stainless steel door if the door should rust through (excludes labor charges).

The foregoing timeline begins to run upon the date of purchase, and shall not be stalled, tolled, extended, or suspended, for any reason whatsoever.

**Repair/Replace as Your Exclusive Remedy:** During this warranty period, Bosch or one of its authorized service providers will repair your Product without charge to you (subject to certain limitations stated herein) if your Product proves to have been manufactured with a defect in materials or workmanship. If reasonable attempts to repair the Product have been made without success, then Bosch will replace your Product (upgraded models may be available to you, in Bosch’s sole discretion, for an additional charge). All removed parts and components shall become the property of Bosch at its sole option. All replaced and/or repaired parts shall assume the identity of the original part for purposes of this warranty and this warranty shall not be extended with respect to such parts. Bosch’s sole liability and responsibility hereunder is to repair manufacturer-defective Product only, using a Bosch-authorized service provider during normal business hours. For safety and property damage concerns, Bosch highly recommends that you do not attempt to repair the Product yourself, or use an un-authorized servicer; Bosch will have no responsibility or liability for repairs or work performed by a non-authorized servicer. If you choose to have someone other than an authorized service provider work on your Product, **THIS WARRANTY WILL AUTOMATICALLY BECOME NULL AND VOID.** Authorized service providers are those persons or companies that have been specially trained on Bosch products, and who possess, in Bosch’s opinion, a superior reputation for customer service and technical ability (note that they are independent entities and are *not* agents, partners, affiliates or representatives of Bosch). Notwithstanding the foregoing, Bosch will not incur any liability, or have responsibility, for the Product if it is located in a remote area (more than 100 miles from an authorized service

provider) or is reasonably inaccessible, hazardous, threatening, or treacherous locale, surroundings, or environment; in any such event, if you request, Bosch would still pay for labor and parts and ship the parts to the nearest authorized service provider, but you would still be fully liable and responsible for any travel time or other special charges by the service company, assuming they agree to make the service call.

**Out of Warranty Product:** Bosch is under no obligation, at law or otherwise, to provide you with any concessions, including repairs, pro-rates, or Product replacement, once this warranty has expired.

**Warranty Exclusions:** The warranty coverage described herein excludes all defects or damage that are not the direct fault of Bosch, including without limitation, one or more of the following: (1) use of the Product in anything other than its normal, customary and intended manner (including without limitation, any form of commercial use, use or storage of an indoor product outdoors, use of the Product in conjunction with air or water-going vessels); (2) any party’s willful misconduct, negligence, misuse, abuse, accidents, neglect, improper operation, failure to maintain, improper or negligent installation, tampering, failure to follow operating instructions, mishandling, unauthorized service (including self-performed “fixing” or exploration of the appliance’s internal workings); (3) adjustment, alteration or modification of any kind; (4) a failure to comply with any applicable state, local, city, or county electrical, plumbing and/or building codes, regulations, or laws, including failure to install the product in strict conformity with local fire and building codes and regulations; (5) ordinary wear and tear, spills of food, liquid, grease accumulations, or other substances that accumulate on, in, or around the Product; and (6) any external, elemental and/or environmental forces and factors, including without limitation, rain, wind, sand, floods, fires, mud slides, freezing temperatures, excessive moisture or extended exposure to humidity, lightning, power surges, structural failures surrounding the appliance, and acts of God. In no event shall Bosch have any liability or responsibility whatsoever for damage to surrounding property, including cabinetry, floors, ceilings, and other structures or objects around the Product. Also excluded from this warranty are scratches, nicks, minor dents, and cosmetic damages on external surfaces and exposed parts; Products on which the serial numbers have been altered, defaced, or removed; service visits to teach you how to use the Product, or visits where there is nothing wrong with the Product; correction of installation problems (you are solely responsible for any structure and setting for the Product, including all electrical, plumbing or other connecting facilities, for proper foundation/flooring, and for any alterations including without limitation cabinetry, walls, floors, shelving, etc.); and resetting of breakers or fuses.

**TO THE EXTENT ALLOWED BY LAW, THIS WARRANTY SETS OUT YOUR EXCLUSIVE REMEDIES WITH RESPECT TO PRODUCT, WHETHER THE CLAIM ARISES IN CONTRACT OR TORT (INCLUDING STRICT LIABILITY, OR NEGLIGENCE) OR OTHERWISE. THIS WARRANTY IS IN LIEU OF ALL OTHER WARRANTIES, WHETHER EXPRESS OR IMPLIED. ANY WARRANTY IMPLIED BY LAW, WHETHER FOR MERCHANTABILITY OR FITNESS FOR A PARTICULAR PURPOSE, OR OTHERWISE, SHALL BE EFFECTIVE ONLY FOR THE PERIOD THAT THIS EXPRESS LIMITED WARRANTY IS EFFECTIVE. IN NO EVENT WILL THE MANUFACTURER BE LIABLE FOR CONSEQUENTIAL, SPECIAL, INCIDENTAL, INDIRECT, “BUSINESS LOSS”, AND/OR PUNITIVE DAMAGES, LOSSES, OR EXPENSES, INCLUDING WITHOUT LIMITATION TIME AWAY FROM WORK, HOTELS AND/OR RESTAURANT MEALS, REMODELLING EXPENSES IN EXCESS OF DIRECT DAMAGES WHICH ARE DEFINITELY CAUSED EXCLUSIVELY BY BOSCH, OR OTHERWISE. SOME STATES DO NOT ALLOW THE EXCLUSION OR LIMITATION OF INCIDENTAL OR CONSEQUENTIAL DAMAGES, AND SOME STATES DO NOT ALLOW LIMITATIONS ON HOW LONG AN IMPLIED WARRANTY LASTS, SO THE ABOVE LIMITATIONS MAY NOT APPLY TO YOU. THIS WARRANTY GIVES YOU SPECIFIC LEGAL RIGHTS, AND YOU MAY ALSO HAVE OTHER RIGHTS WHICH VARY FROM STATE TO STATE.** No attempt to alter, modify or amend this warranty shall be effective unless authorized in writing by an officer of BSH.

**How to Obtain Warranty Service:** TO OBTAIN WARRANTY SERVICE FOR YOUR PRODUCT, YOU SHOULD CONTACT THE NEAREST BOSCH AUTHORIZED SERVICE CENTER, OR CALL 800-944-2904, or write Bosch at: BSH Home Appliances - 5551 McFadden Avenue, Huntington Beach, CA 92649 /

BSH reserves the right to change specifications or design without notice. Some models are certified for use in Canada. BSH is not responsible for products which are transported from the United States for use in Canada. Check with your local Canadian distributor or dealer.

BSH se réserve le droit de modifier les données techniques ou le design sans préavis. Certains modèles sont certifiés pour une utilisation au Canada. BSH n'est pas responsable pour les produits transportés des États-Unis pour une utilisation au Canada. Vérifier auprès d'un marchand ou distributeur canadien.

BSH se reserva el derecho de modificar las especificaciones o el diseño sin previo aviso. Algunos modelos están certificados para ser usados en Canadá. BSH no es responsable de productos que son transportados desde los Estados Unidos para ser utilizados en Canadá. Consulte a su distribuidor local en Canadá.

BSH Home Appliances, Corporation,  
5551 McFadden Avenue,  
Huntington Beach, CA 92649.  
1-800-944-2904