



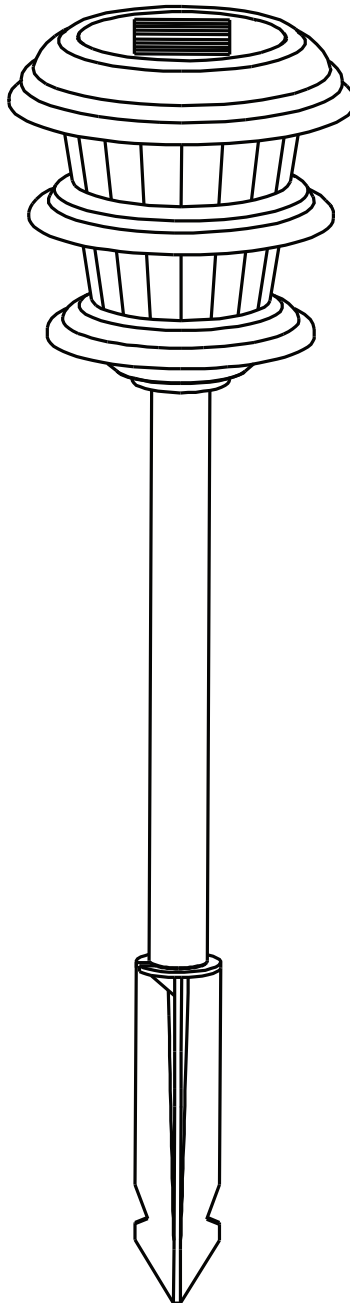
SOLAR LANDSCAPE LIGHT (Set of 4)

ITEM #0294715

Portfolio Outdoor® is a registered trademark of LF, LLC. All Rights Reserved.

MODEL #00951

Français p. 8
Español p. 15



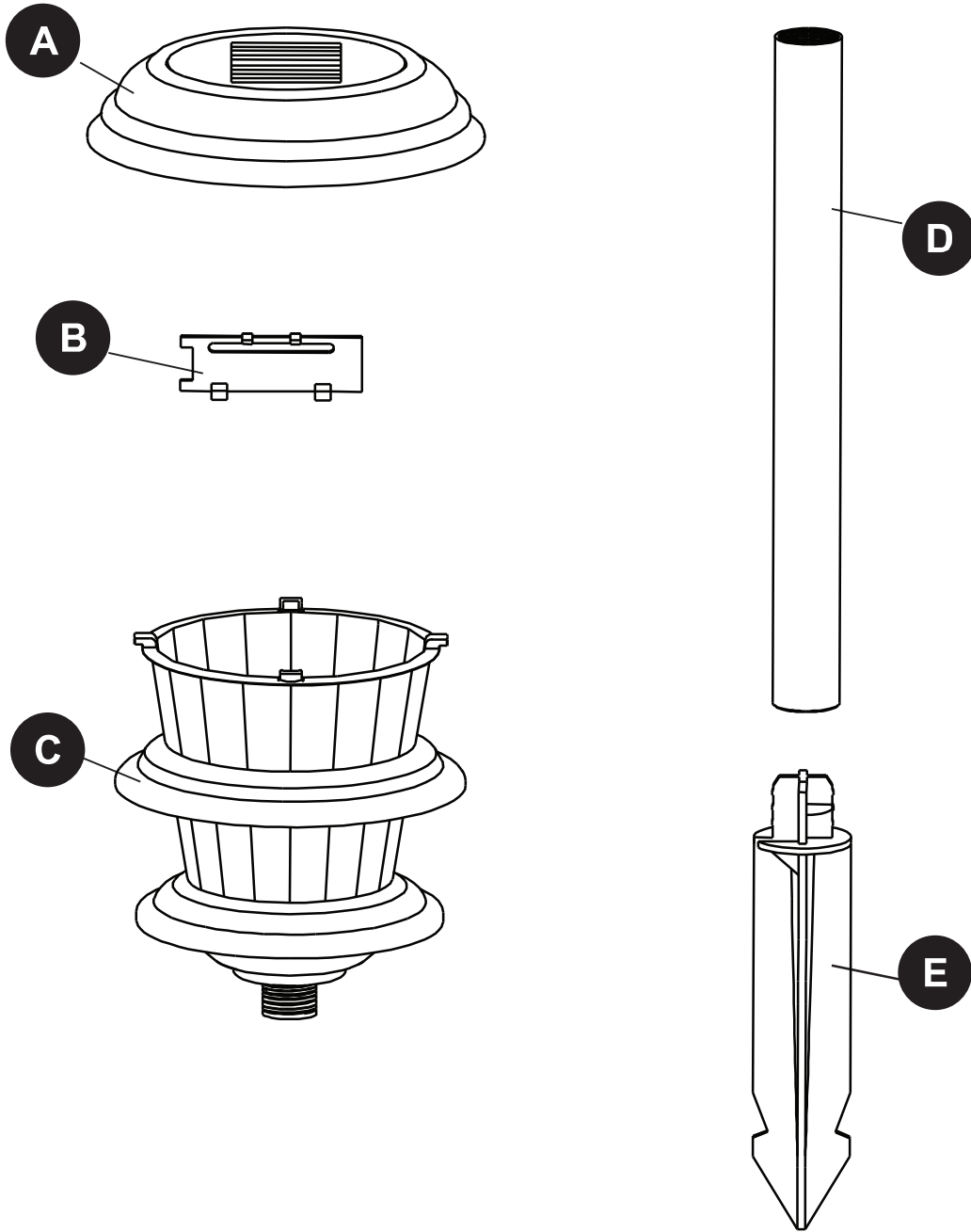
ATTACH YOUR RECEIPT HERE

Serial Number _____ Purchase Date _____



Questions, problems, missing parts? Before returning to your retailer, call our customer service department at 1-800-643-0067, 8 a.m. - 6 p.m., EST, Monday - Thursday, 8 a.m. - 5 p.m., EST, Friday.

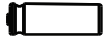
PACKAGE CONTENTS



PART	DESCRIPTION	QUANTITY
A	Top Cover	4
B	Battery Cover	4
C	Housing	4

PART	DESCRIPTION	QUANTITY
D	Post	4
E	Stake	4

HARDWARE CONTENTS



Battery

Qty. 4

(not shown to size)

SAFETY INFORMATION

Please read and understand this entire manual before attempting to assemble, operate or install the product.

WARNING

- Use rechargeable battery only.
- Do not open, short circuit, or mutilate batteries as injury may occur.

CAUTION

- Do not dispose of batteries in the regular trash, municipal waste stream or by fire as batteries may leak or explode.
- Preserve our environment by recycling batteries or disposing of them in accordance with Local, State, and Federal regulations.
- Do not mix old and new batteries.
- Do not mix alkaline or standard (Carbon-Zinc) batteries.

PREPARATION

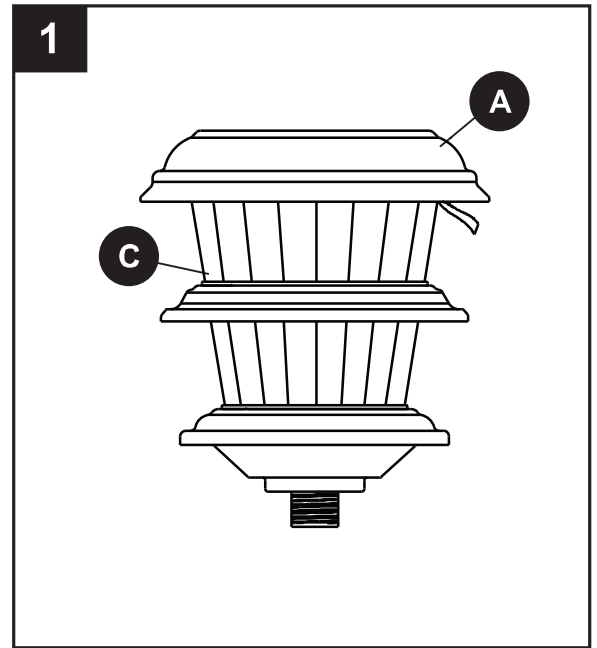
Before beginning assembly of product, make sure all parts are present. Compare parts with package contents list and hardware contents above. If any part is missing or damaged, do not attempt to assemble the product. Contact customer service for replacement parts.

Estimated Assembly Time: 1 minute

Helpful Tools (not included): Trowel

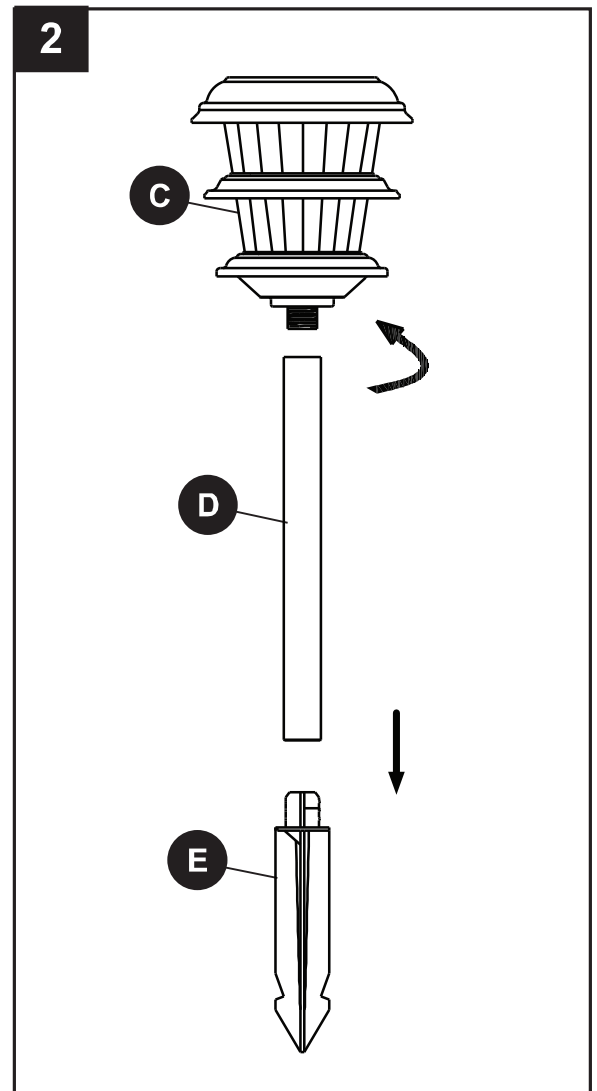
ASSEMBLY INSTRUCTIONS

1. FOR FIRST TIME USE: Remove pull tab between the top cover (A) and housing (C).



2. Twist and secure post (D) to the housing (C). Attach the post (D) to stake (E). Push the assembly firmly into the ground.

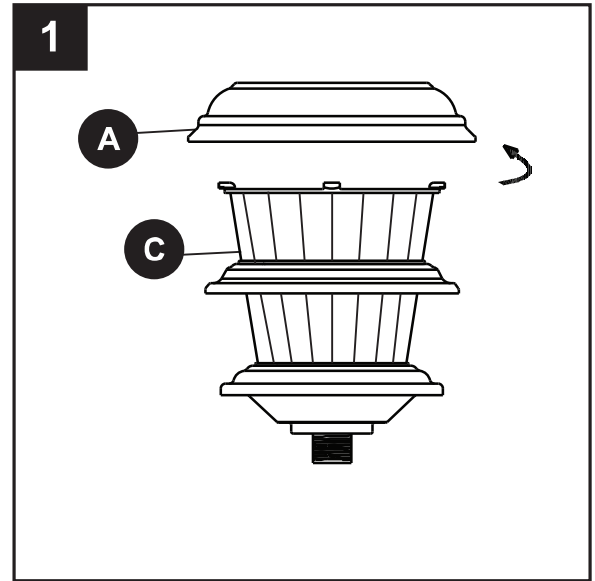
CAUTION: DO NOT use a hammer. For ground with hard soil, use a trowel (not included) to loosen soil to prevent breaking the stake (E).



REPLACING BATTERY

For best performance, replace with rechargeable 1.2V Ni-Cd battery every year or when performance diminishes.

1. Twist and remove the top cover (A) from housing (C).



2. Remove the battery cover (B). Replace the battery (AA) with a new rechargeable battery. Replace the battery cover (B).

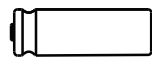
FOR FIRST TIME USE:

Allow the light to run 8-12 charging and discharging cycles to reach battery's maximum capacity.

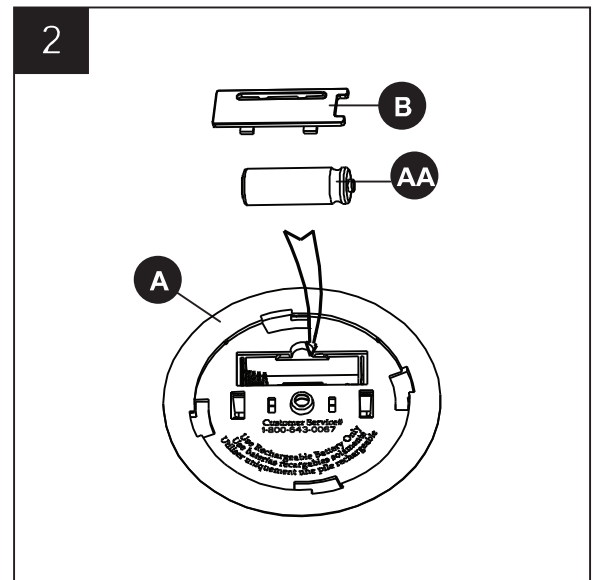
Hardware Used

AA

Battery



x 1



CARE AND MAINTENANCE

- For optimum performance, it is best to install the solar lights in full sunlight and charge for 10-12 hours. Allow the light to run at least 8-12 entire charging and discharging cycles to reach battery's maximum capacity.
- Keep debris and snow off the solar panel to allow the battery to recharge.
- If lights have been covered by snow for a long time, allow batteries to recharge in full, direct sunlight for at least 10-12 hours so they can maintain maximum capacity.

TROUBLESHOOTING

PROBLEM	POSSIBLE CAUSE	CORRECTIVE ACTION
The nightly run time is shorter.	<ol style="list-style-type: none">1. Battery is not fully charged.2. Battery is reaching the end of its life.	<ol style="list-style-type: none">1. Place the solar light in an area where it can receive the maximum amount of full, direct sunlight everyday.2. Replace the old battery with a fresh one.
Solar light does not turn on at night.	<ol style="list-style-type: none">1. Solar light is installed close to other light sources.	<ol style="list-style-type: none">1. Relocate the solar light. Or eliminate other light sources.

WARRANTY

The manufacturer warrants this product against defects in material or workshop for a period from the date of original purchase. The manufacturer agrees to either repair the product or replace it. Only the original purchaser of this product is extended this warranty. No warranty work will be provided under this warranty without purchaser's receipt or other proof of the date of original purchase acceptable to us. Purchasing this product from a third party vendor negates all warranties (expressed or implied) in this warranty.

REPLACEMENT PARTS LIST

For replacement parts, call our customer service department at 1-800-643-0067, 8 a.m. - 6 p.m., EST, Monday - Thursday, 8 a.m. - 5 p.m., EST, Friday.

PART	DESCRIPTION	PART #
A	Top Cover	301000-0094OL
B	Battery Cover	301004-1018BK
C	Housing	990706-0058CL
D	Post	303002-0048OL
E	Stake	303003-0018BK

