



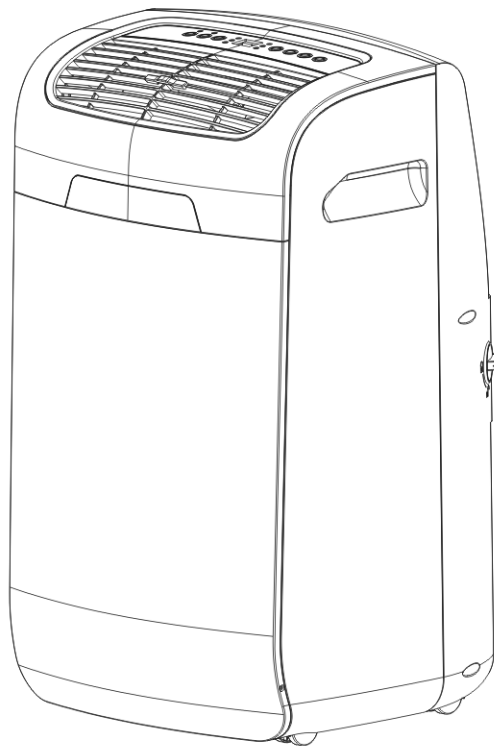
ITEM #0625617

PORTABLE AIR CONDITIONER

Idylis® is a registered trademark
of LF, LLC. All Rights Reserved.

Français p. 20

Español p. 39



ATTACH YOUR RECEIPT HERE

Serial Number _____ Purchase Date _____



Questions, problems, missing parts? Before returning to your retailer, call our customer service department at 1-800-643-0067, Monday - Thursday, 8 a.m. - 6 p.m., EST, Friday, 8 a.m. - 5 p.m., EST.

AB14929

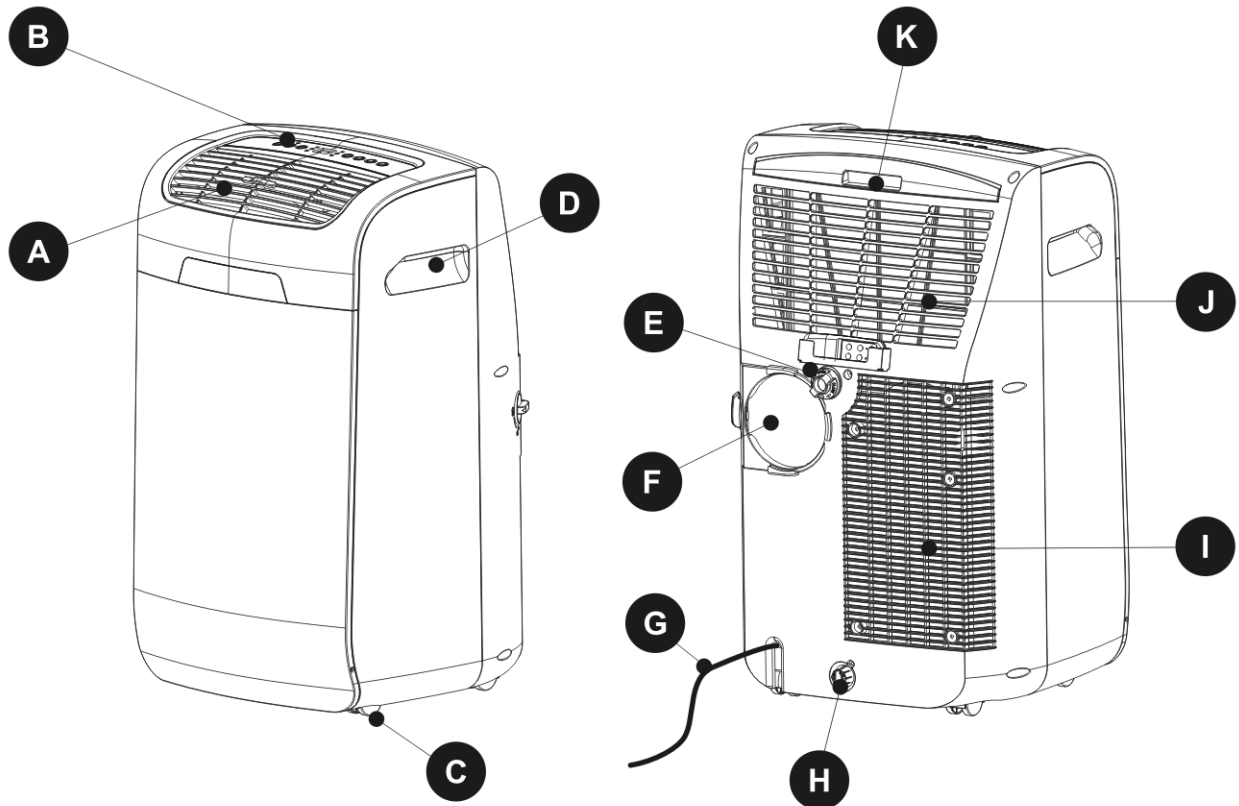
Lowes.com



TABLE OF CONTENTS

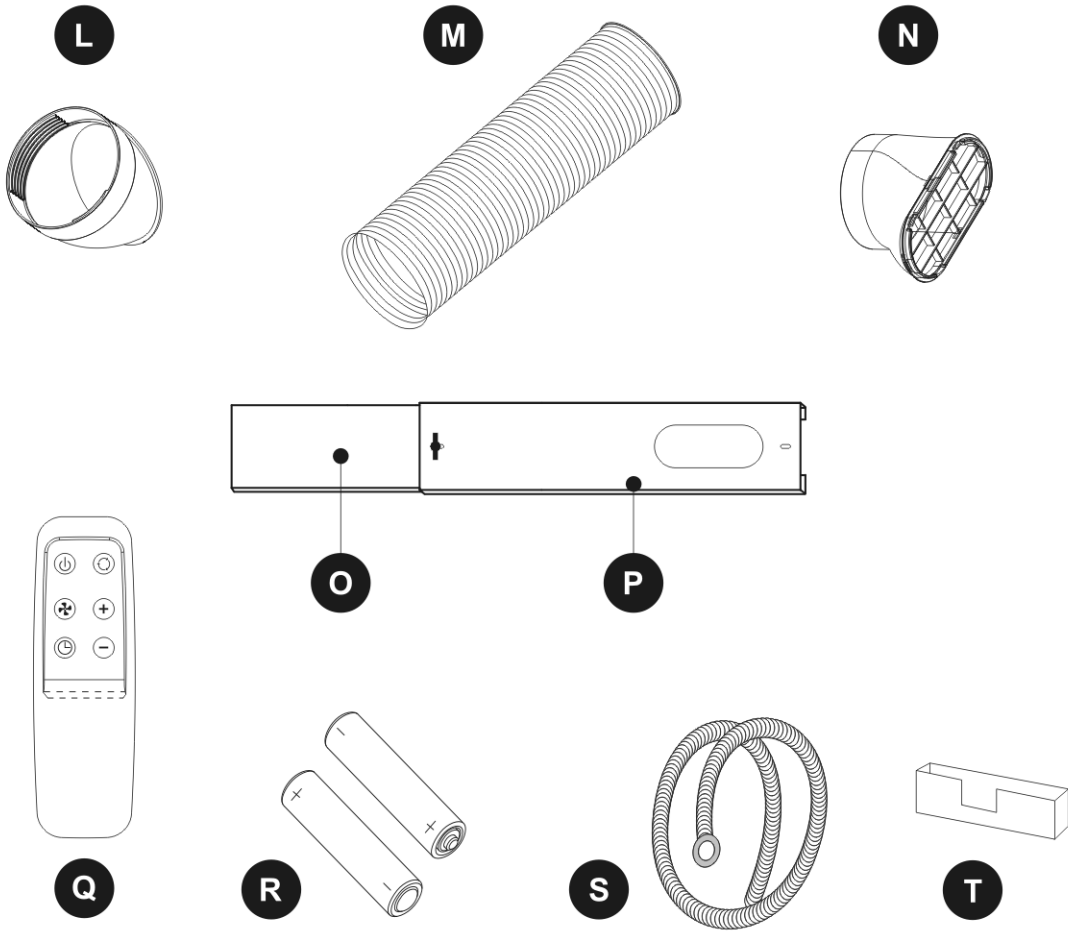
Package Contents.....	3
Safety Information.....	5
Preparation.....	5
Assembly Instructions.....	6
Operating Instructions	8
Care and Maintenance.....	16
Troubleshooting.....	17
Warranty.....	18
Replacement Parts List.....	19

PACKAGE CONTENTS



PART	DESCRIPTION	QUANTITY
A	Air Outlet	1
B	Control Panel	1
C	Castor	4
D	Handle	2
E	Water Outlet Drain	1
F	Air Outlet	1
G	Power Supply Cord	1
H	Water Outlet Drain	1
I	Air Intake (Condensor)	1
J	Air Intake (Evaporator)	1
K	Air Filter	1

PACKAGE CONTENTS



PART	DESCRIPTION	QUANTITY
L	Exhaust Nozzle Connector (to F)	1
M	Flexible Exhaust Hose	1
N	Window Panel Nozzle	1
O	Window Panel Extension	1
P	Window Panel	1
Q	Remote	1
R	AAA Batteries	2
S	Drain Hose	1
T	Remote Control Holder	1

SAFETY INFORMATION

Please read and understand this entire manual before attempting to assemble, operate or install the product.

Portable air conditioners exhaust large amounts of room air. Always ensure an adequate supply of make-up air to operate efficiently.

- Check available power supply and resolve any wiring problems BEFORE installation and operation of this unit. All wiring must comply with local and national electrical codes and be installed by a qualified electrician. If you have any questions regarding the following instructions, contact a qualified electrician.
- This appliance draws 10.8 amps and may be used in any properly wired general purpose 15 amp household grounded receptacle.
- For your safety and protection, this unit is grounded through the power cord plug when plugged into a matching wall outlet. If you are not sure whether the wall outlets in your home are properly grounded, consult a qualified electrician.

DANGER

- Do not leave this unit unattended in a space where people or animals that cannot react to a failed unit are located. A failed unit can cause extreme overheating or death in such an enclosed, unattended space.

WARNING

- Improper connection of the grounding plug can result in risk of fire, electric shock, and/or injury to persons associated with the appliance. Check with a qualified service representative if in doubt that the appliance is properly grounded.
- DO NOT USE PLUG ADAPTERS OR EXTENSION CORDS WITH THIS UNIT. If it is necessary to use an extension cord with this unit, use an approved “air conditioner” extension cord only.
- To avoid the possibility of personal injury, always disconnect the power supply to the unit before installing and/or servicing.
- The unit must be placed upright for a minimum of 1 hour before use.

POWER SUPPLY CORD

The power cord supplied with this air conditioner contains a device that senses damage to the power cord. To test if your power cord is working properly, you must do the following:

- Connect the power supply cord to an electrical outlet.
- The power supply cord has two buttons located on the head of the plug. One button is marked “TEST” and the other is marked “RESET.” Press the “TEST” button; you will hear a click as the “RESET” button pops out.
- Press the “RESET” button; you will hear a click as the button engages.
- The power supply cord is now energized and supplying electricity to the air conditioner (on some products this is also indicated by a light on the plug head.)
- **Note:** The power cord supplied with this air conditioner contains a current leakage detection device designed to reduce the risk of fire. In the event the power supply cord is damaged, it cannot be repaired and must be replaced with a new cord from the product manufacturer.
- Under no circumstance should this device be used to turn the unit on or off.
- The reset button must always be pushed in (engaged) for correct operation.
- The power supply cord must be replaced if it fails to reset when the “TEST” button is pushed in.

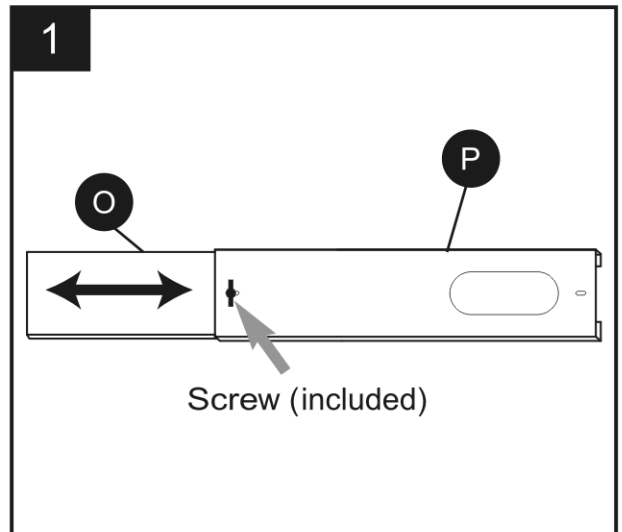
PREPARATION

Before beginning assembly of product, make sure all parts are present. Compare parts with package contents list. If any part is missing or damaged, do not attempt to assemble the product.

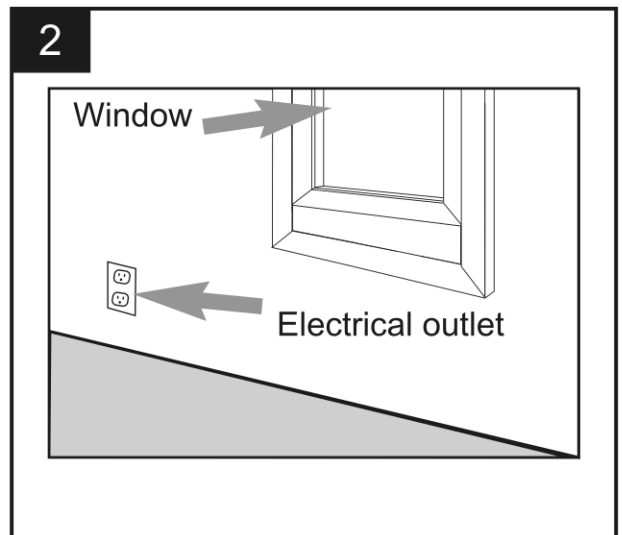
Estimated Assembly Time: 20 minutes

ASSEMBLY INSTRUCTIONS

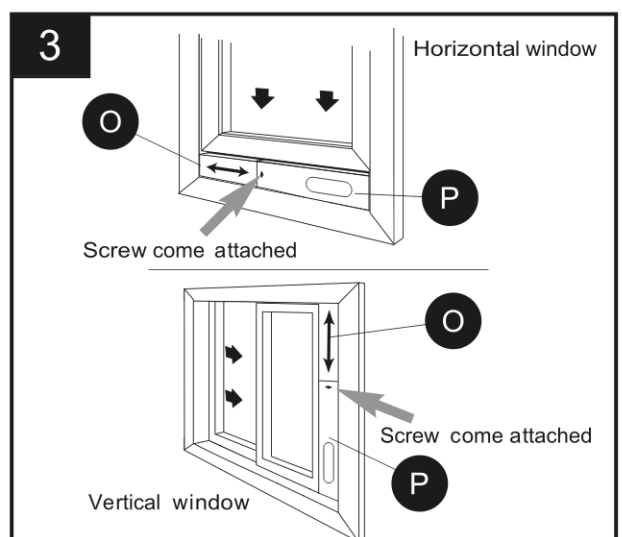
1. Insert window panel extension (O) into the window panel (P). Lightly tighten the pre-assembled screws in the window panel (P) to hold the extension (O) in place.



2. Select a suitable location for the unit, making sure you have access to an electrical outlet.

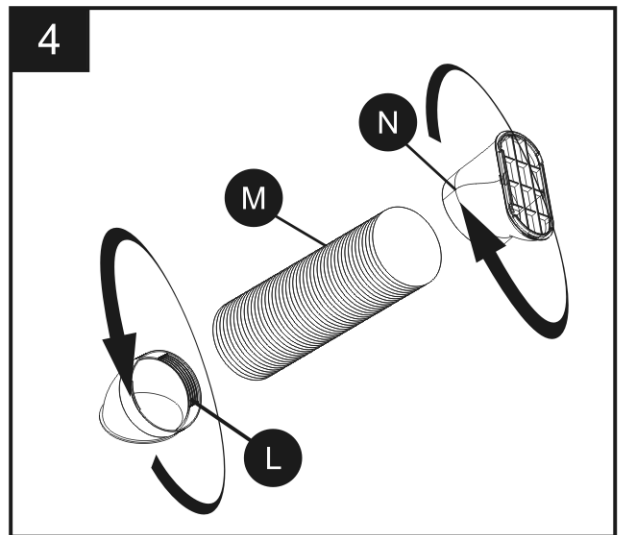


3. Install the window panel (P) by expanding it to fit the length of the window and fully tightening the pre-assembled screws in the middle.

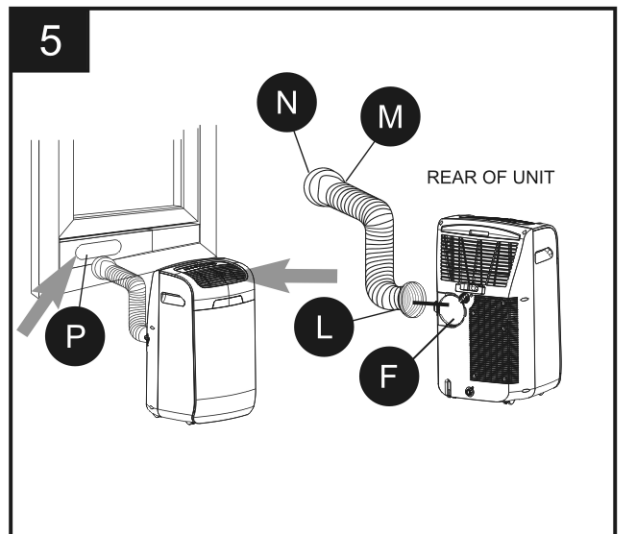


ASSEMBLY INSTRUCTIONS

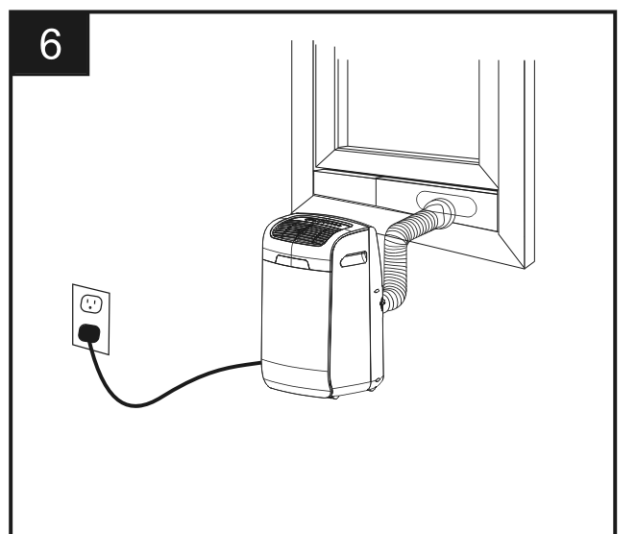
4. Pull a small section of both ends of exhaust hose (M) out and attach exhaust nozzle connector (L) and window panel nozzle (N) to the exhaust hose (M).



5. Install exhaust nozzle connector (L) to the air outlet (F) on the rear side of the unit, and window panel nozzle (N) of the exhaust hose into the opening in the window panel (P).

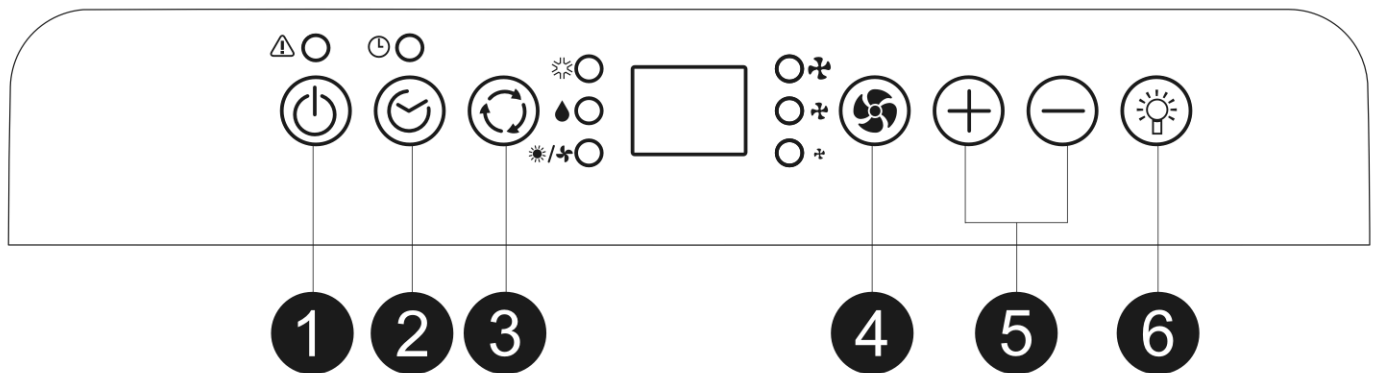


6. Plug the unit into a 115V/60Hz grounded electrical outlet.












OPERATING INSTRUCTIONS

Features of the Control Panel:



LED Display Note: The default display is room temperature

-  Cooling Mode
-  High Fan Speed
-  Warning Light (the machine will stop running)
-  Dehumidify Mode
-  Medium Fan Speed
-  Display Auto-timer On/Off Setting
-  Fan Only Mode (Green color LED)
-  Low Fan Speed
-  Heat Mode (Red color LED)

Keypad Functions

1. **Power switch:** Turns unit on/off
2. **Auto timer**
3. **Mode:** Allows you to scroll through desired operating modes.
4. **Fan:** Select from three different fan settings: high, medium, and low.
5. **Up/down buttons:** By pressing both + and - buttons at the same time for more than 3 seconds, the display will toggle between Celsius and Fahrenheit. Press + and - for temperature change.
6. You can turn the front and top panel lights on and off by hitting the **Lamp On/Off switch.**

Warning light: Condensed water may accumulate in the unit. If the internal tank becomes full, the warning signal in the LED display will light up and the unit will not operate until it has been drained.

Note: After turning the unit off, it is necessary to wait 3 minutes before turning it back on again. The preset temperature of cooling mode is 24°C.






AUTO RESTART

In the event of a power outage, the air conditioner restarts at the previously set function mode and settings when power is restored (does not include TIMER setting).

OPERATING INSTRUCTIONS

AIR CONDITIONING

Note: The exhaust hose must be properly vented outdoors during air conditioning mode.

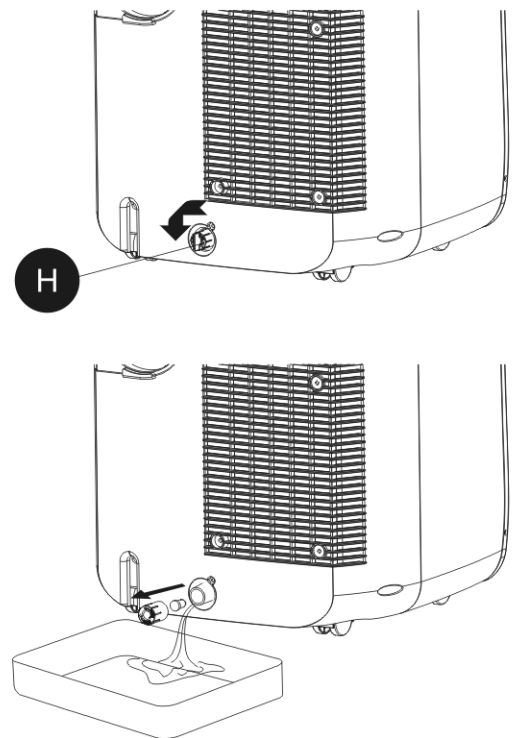
- 1) Press the POWER SWITCH button to switch on the unit, and the room temperature will be shown in the temperature display area of the control panel. 
- 2) Press the MODE button until the COOL indicator light illuminates on the control panel. Each press of the MODE button will advance to a different mode setting (Cool - Dehumidifier - Fan - Heat). 
- 3) Press the appropriate increase + or - decrease buttons to select a suitable operating temperature setting. Temperature settings are adjustable between 16°C (61°F) to 32°C (89°F). 

- 4) Press the FAN button to select the desired fan speed setting (High-Med-Low). Your selection will appear on the control panel (each press of the fan key will advance to a different setting.) 

Cooling stops automatically when the set temperature is achieved. Cooling resumes when the room temperature rises above the 'set' temperature level.

DRAINING EXCESS WATER

If the water tank in the unit becomes full, a 'full tank' indicator light will come on. To drain excess water:

1. Begin by placing a pan under the water outlet drain (H).
2. Unscrew the drain cover and remove the soft rubber stopper. Let the water drain into the pan. When the water stops draining out, replace the soft rubber stopper and tighten the drain cover.
3. Remove the pan of water and empty into a sink.
4. Operate the unit in Fan Mode to dry the interior of the unit.



OPERATING INSTRUCTIONS

DEHUMIDIFIER:

IMPORTANT: When you set the air conditioner in Dehumidifier Mode, you must connect the direct drain hose (S), and you can choose to install or not install the exhaust hose (M). If you install the exhaust hose (M) in Dehumidifier Mode, then the room temperature may be decreased.

Note: For best dehumidification result, the exhaust hose should be dismantled.



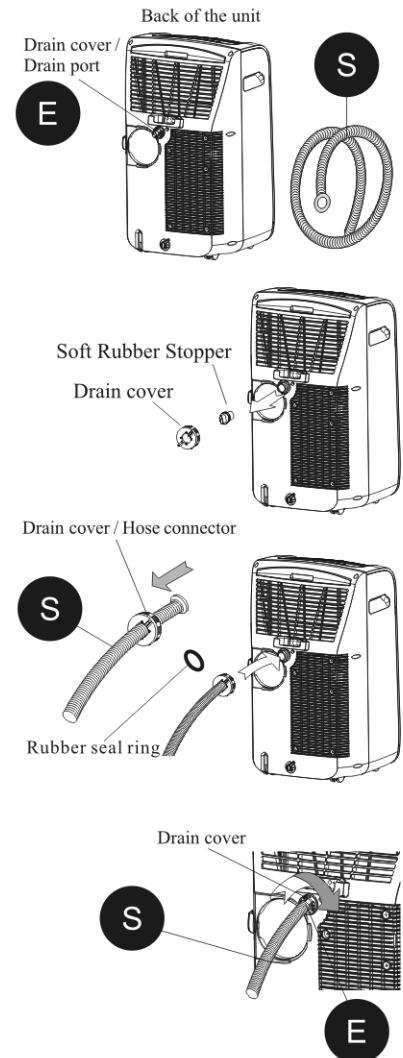
- 1) Press the ON/OFF key pad to switch the unit on.
- 2) Press the MODE key until the DEHUMIDIFY indicator illuminates on the control panel. Each press of the MODE key will advance to a different mode setting (Cool-Dehumidifier-Fan-Heat)

IMPORTANT: There is no temperature nor humidify adjustment during dehumidifier mode. If the room temperature is greater than 77°F (25°C), the fan speed can be adjusted. Otherwise the fan speed is fixed at LOW speed. Your machine shall continue to dehumidify until you decided to shut it down.

INSTALLING DRAIN HOSE

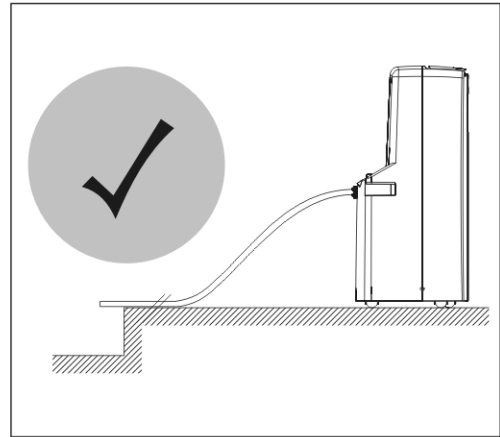
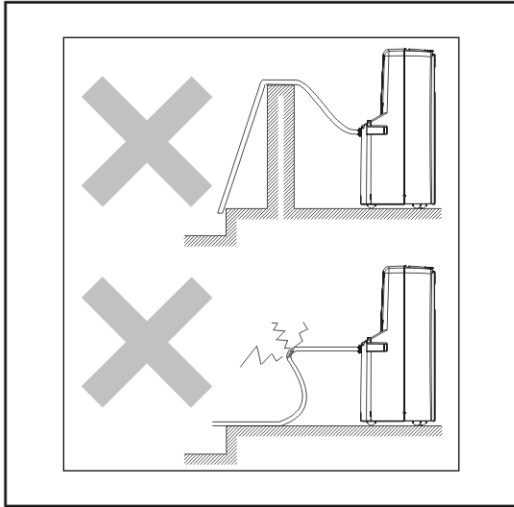
The continuous drain function can be set up using the following steps:

- 1) This unit can be configured for continuous drain. You can use the supplied drain hose (S) to connect the continuous drain connector (E).
- 2) Unscrew and remove the drain cover from the drain port at the rear of the unit (E).
- 3) Remove the soft rubber stopper from the drain cover and save it for reusing when you do not require draining.
- 4) Insert the drain hose (S) through the hole of the drain cover.
- 5) Ensure the rubber seal ring end is properly seated in the end of drain cover / hose connector.
- 6) Connect the drain hose (S) to the drain port (E.)
- 7) Tighten the drain cover clockwise onto the rear of the unit.
- 8) Place the opposite end of the drain hose (S) into a floor drain.



OPERATING INSTRUCTIONS

When using the continuous drain function, the drain hose must be placed horizontally below the drainage hole. Avoid uneven ground and folding the hose. NOTE: Should you damage or misplace the drain hose, a standard garden hose (not included) can be used as a replacement.



FAN MODE: (Green LED indicator light)

Note: During Fan Mode, the exhaust hose does not have to be vented outdoors.






- 1) Press the POWER SWITCH button to turn the unit on.
- 2) Press the MODE button until the FAN indicator illuminates on the control panel. Each press of the MODE button will advance to a different mode setting (Cool-Dehumidifier-Fan - Heat).
- 3) Press the FAN button to select the desired FAN SPEED setting. Your selection will appear on the control panel. Each press of the fan button will advance to a different fan speed (High-Med-Low).



OPERATING INSTRUCTIONS

HEAT MODE (Red LED indicator light):

Note: The exhaust hose must be properly vented outdoors during Heat mode.

- 1) Press the POWER SWITCH button to switch on the unit, and the room temperature will be shown in the temperature display area of the control panel. 
- 2) Press the MODE button until the heat indicator light illuminates on the control panel. Each press of the MODE key will advance to a different mode setting (Cool-Dehumidify-Fan-Heat) 
- 3) Press the appropriate increase "+" or decrease "-" buttons to select a suitable operating temperature setting. Temperature settings are adjustable between 16°C (61°F) to 25°C (77°F). 

- 4) Press the FAN button to select the desired fan speed setting (High-Med-Low). Your selection will appear on the control panel (each press of the fan button will advance to the next setting.) 

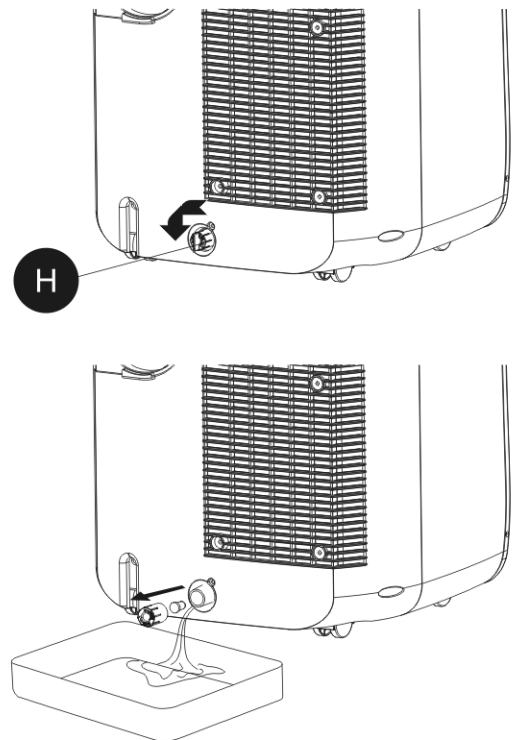
Note: Heating stops automatically when the set temperature is achieved. Heating resumes when the room temperature falls below the "set" temperature level.

DRAINING EXCESS WATER

Please keep the water drained completely during heat mode.

If the water tank in the unit becomes full, a 'full tank' indicator light will come on. To drain excess water:

1. Begin by placing a pan under the water outlet drain (H).
2. Unscrew the drain cover and remove the soft rubber stopper. Let the water drain into the pan. When the water stops draining out, replace the soft rubber stopper and tighten the drain cover.
3. Remove the pan of water and empty into a sink.
4. Operate the unit in Fan Mode to dry the interior of the unit.



OPERATING INSTRUCTIONS

AUTO-TIMER:

While the Air Conditioner is in OFF/Standby Mode (Auto - On):

- 1) Press the Timer button once and the adjacent Auto-Timer display will illuminate.
- 2) Use the + or - button to select a delayed On Time of up to 24 hours.
- 3) Select the appropriate mode under which you want the unit to operate (Cool-Dehumidify-Fan-Heat).
- 4) Select the fan speed setting.
- 5) The time you selected will appear in the LED display.
- 6) To cancel the Timer function, press the TIMER button and adjust the number to 00.

While the Air Conditioner is on (Auto-Off):

(During Cooling mode your machine can automatically cycle ON/OFF, according to your set temperature. However, if you need your machine to shut down at a specific time within the 24 Hour setting, you may use the Auto OFF timer.)

- 1) Press the Timer button and the adjacent Auto-Timer display will illuminate.
- 2) Use the + or - buttons to select a delayed Off Time of up to 24 hours.
- 3) The auto-off setting will be automatically confirmed in 5 seconds and room temperature will be shown in the temperature display area of control panel.
- 4) To cancel the Timer function, press the TIMER button and adjust the number to 00.

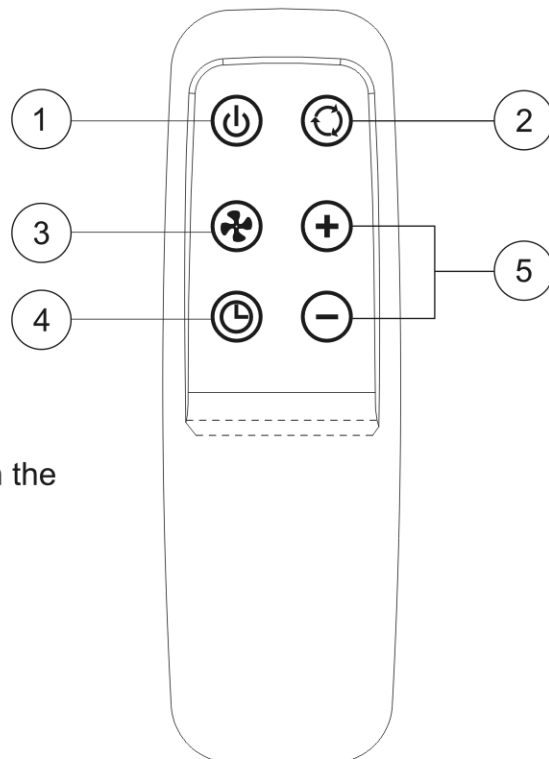
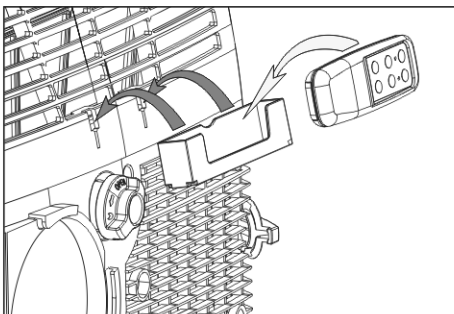
REMOTE CONTROL:

Control Buttons:

- 1) Power
- 2) Mode
- 3) Fan Speed
- 4) On/Off Timer
- 5) Timer/Temperature Set

Remote Control Holder Installation:

Align the remote control holder (T) with holes on the back of the unit and attach to the unit.



OPERATING INSTRUCTIONS

REMOTE CONTROL:

The timer setting is programmable from 1-24 hours by first pressing the On/Off Timer button and then the Time/Temperature Set buttons.

When either the + or - button is pressed in cool mode, the set temperature is displayed and may be adjusted. After 10 seconds, the display will revert back to room temperature.

Two AAA Alkaline batteries non-rechargeable (R) (included) are required to operate the hand-held remote control. Batteries should be replaced when:

a) No signal (beep) is heard when attempting to program the main unit using the remote.

b) The main unit does not respond to a command issued by the remote control.

Battery replacement:

1) Gently slide the rear cover on the remote in the direction of the arrow until it separates completely from the unit.

2) Insert two Alkaline AAA batteries non-rechargeable following the same orientation (polarity) depicted inside the battery chamber (+/-).

3) Reinstall the rear cover.

4) If the remote control will not be used for extended periods of time, the batteries should be removed.

Notes:

1) Do not drop the remote control.

2) Do not place the remote control in a location exposed to direct sunlight.

3) Protect the remote control from high temperatures, and keep it away from radiation exposure.

4) Keep the control panel receiver out of direct sunlight.

5) If the remote control will not be used for extended periods of time (vacations, etc.), the batteries should be removed until they will be used again.

6) Do not mix old and new batteries.

7) Do not mix alkaline, standard (carbon-zinc) or rechargeable (NiCD, NiMH, etc.) batteries.

OPERATING INSTRUCTIONS

Notes:

- 8) Do not attempt to recharge non-rechargeable batteries
- 9) Dead batteries must be removed from the product and disposed of properly. Rechargeable batteries and batteries made before 1997 cannot be thrown away and must be recycled properly.
- 10) This Class B digital apparatus complies with ICES-003.
- 11) The remote operates within a range of 26 ft. from the receiver located inside the main unit. Any obstruction between the receiver and remote may cause signal interference, limiting the ability to program the main unit.

Note: This equipment has been tested and found to comply with the limits for a Class B digital device, pursuant to part 15 of the FCC Rules. These limits are designed to provide reasonable protection against harmful interference in a residential installation. This equipment generates, uses, and can radiate radio frequency energy and, if not installed and used in accordance with the instructions, may cause harmful interference to radio or television reception, which can be determined by turning the equipment off and on, the user is encouraged to try to correct the interference by one of more of the following measures:

- 1) Reorient or relocate the receiving antenna.
 - 2) Increase the separation between the equipment and receiver.
 - 3) Connect the equipment into an outlet on a circuit different from that to which the receiver is connected.
 - 4) Consult the dealer or an experienced radio/TV technician for help.
- Changes or modifications not approved by the party responsible for FCC compliance could void the user's authority to operate the equipment. This appliance complies with Part 15 of the FCC Rules.

Operation is subject to the following two conditions:

- 1) This device may not cause harmful interference.
- 2) This device must accept any interference received, including interference that may cause undesired operation.

CARE AND MAINTENANCE

CAUTION: Before cleaning or servicing this unit, disconnect from any electrical supply outlet.

- 1) DO NOT use gasoline, benzene, thinner, or any other chemicals to clean this unit, as these substances may cause damage to the finish and deform plastic parts.
- 2) NEVER attempt to clean the unit by pouring water directly over any of the surface areas, as this will cause deterioration of electrical components and wiring insulation.
- 3) Always unplug the unit before servicing.
- 4) Clean the unit by wiping off any dirt/dust with a soft damp cloth or vacuum cleaner, then wipe dry with a dry soft cloth.

CAUTION: Always store the unit in vertical position. DO NOT put heavy objects on top of the unit.

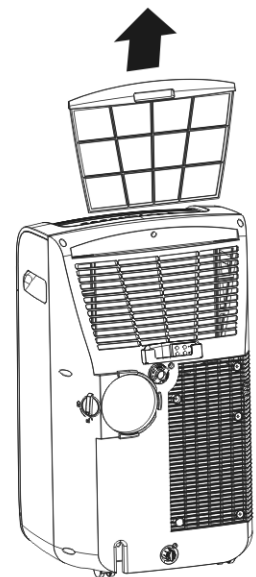
CLEANING THE AIR FILTER:

CAUTION: Never operate this unit without the air filter in place, as this may result in damage to the unit.

If the air filter becomes clogged with dust/dirt, air flow is restricted, which reduces cooling efficiency. The air filter should be cleaned every two (2) weeks. More frequent cleaning may be necessary depending on indoor air quality.

NOTE: The air filter is located at the upper rear side of the unit.

- 1) To remove the air filter: Pull the air filter cover upward in the direction of the arrow and remove the air filter.
- 2) Dust/dirt clogged in the filter can be removed by vacuum cleaning the soiled areas.
- 3) The filter can also be washed in lukewarm, soapy water while rubbing it lightly with a brush. A mild detergent (such as dishwashing liquid) is recommended.
- 4) Rinse the filter well using clean water. Allow time to dry before reinstalling into the unit.
- 5) Replace the air filter and cover.
- 6) Replacement air filter information is available by contacting the customer service department at: 1-800-643-0067.



TROUBLESHOOTING

PROBLEM	POSSIBLE CAUSE	CORRECTIVE ACTION
Unit does not work.	<ol style="list-style-type: none"> 1. Power is out . 2. Unit not plugged in properly. 3. Water tank is full. STOP warning light will illuminate. 4. Electrical current leaking or test button on LCDI plug is being pressed. 	<ol style="list-style-type: none"> 1. Wait for power to return. 2. Plug in properly. 3. Remove drain water from the drain tank (refer to page 9). 4. Press the reset button after resolving problem.
Unit suddenly stops during operation.	<ol style="list-style-type: none"> 1. Indoor set temperature has been reached. 2. The preset time is up. 3. Water tank is full. STOP warning light illuminate. 	<ol style="list-style-type: none"> 1. Unit will restart when temperature arises. 2. Reset the timer. 3. Remove drain water from drain tank (refer to page 9).
Unit runs intermittently.	<ol style="list-style-type: none"> 1. Surrounding temp. is more warm/more cool than your temperature setting. 2. Exhaust duct hose is blocked. 	<ol style="list-style-type: none"> 1. This is normal. Unit doesn't need to be operating constantly in this condition. 2. Check and unblock the duct hose.
Unit functions but the room is not cooled.	<ol style="list-style-type: none"> 1. Window or door is open in room. 2. There is a heat source or too many people in the room. 3. Air intake grille is clogged. 4. Filter is too dirty. 5. Temperature setting is too high/warm. 	<ol style="list-style-type: none"> 1. Close all windows/doors. 2. Move any heat sources from room, move unit close to where you sit. 3. Clean air intake grille. 4. Replace the filter. 5. Lower the temp. setting. 6. Portable Air conditioner is for spot cooling only and need to be placed closer to your sitting area for best cooling effect.
Condensed water spills out when moving the unit.	<ol style="list-style-type: none"> 1. The water tank is nearly full. 	<ol style="list-style-type: none"> 1. Follow instructions on page 9 for draining water.

WARRANTY

LIMITED APPLIANCE WARRANTY

This quality product is warranted to be free from manufacturer's defects in material and workmanship, provided that the unit is used under the normal operating conditions intended by the manufacturer. This warranty is available only to the person to whom the unit was originally sold by manufacturer or by an authorized distributor of manufacturer, and is non-transferable.

TERMS OF WARRANTY

Plastic parts, are warranted for thirty (30) days only from purchase date, with no extensions provided.

First 12 Months:

During the first twelve (12) months, any functional parts of this product found to be defective, will be repaired or replaced, at warrantor's option, at no charge to the ORIGINAL purchaser.

To obtain service: Call 1-800-643-0067 or RETURN TO THE STORE WHERE PURCHASE FOR REPLACEMENT.

EXCLUSIONS

Save as herein provided, manufacturer, there are no other warranties, conditions, representations or guarantees, express or implied, made or intended by manufacturer or its authorized distributors and all other warranties, conditions, representations or guarantees, including any warranties, conditions, representations or guarantees under any Sale of Goods Act or like legislation or statute is hereby expressly excluded. Save as herein provided, manufacturer shall not be responsible for any damages to persons or property, including the unit itself, howsoever caused or any consequential damages arising from the malfunction of the unit and by the purchase of the unit, the purchaser does hereby agree to indemnify and hold harmless manufacturer from any claim for damages to persons or property caused by the unit.

As some states do not allow the limitation or exclusion of incidental or consequential damages, or do not allow limitation on implied warranties, the above limitations and exclusions may not apply to you . This warranty gives you specific legal rights, and you may also have other rights that vary from state to state.

GENERAL PROVISIONS

No warranty or insurance herein contained or set out shall apply when damage or repair is caused by any of the following:

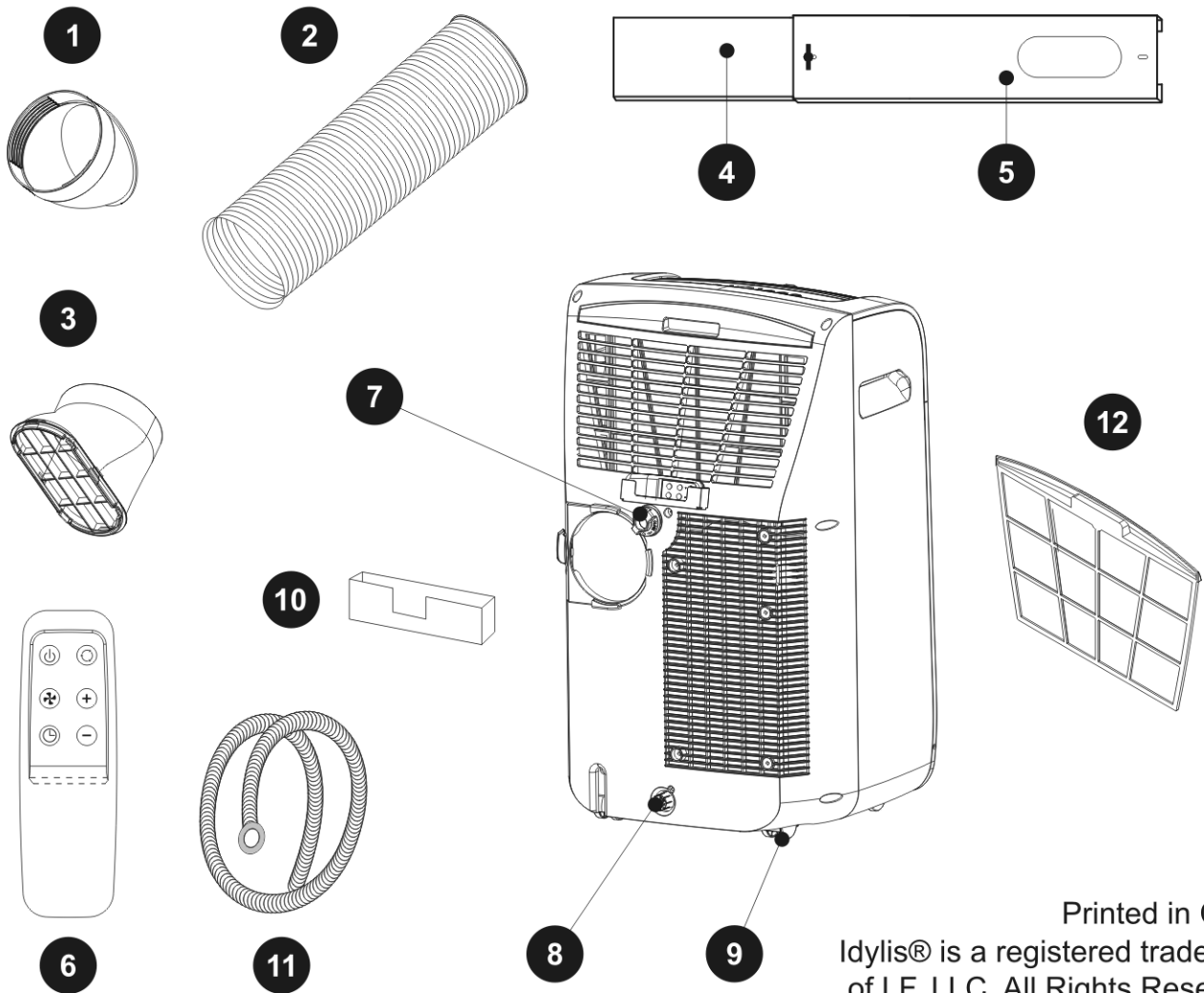
- 1) Power failure.
- 2) Damage in transit or when moving the appliance.
- 3) Improper power supply such as low voltage, defective house wiring or inadequate fuses.
- 4) Accident, alteration, abuse or misuse of the appliance such as inadequate air circulation in the room or abnormal operating conditions (extremely high or low room temperature).
- 5) Use for commercial or industrial purposes (ie. If the appliance is not installed in a domestic residence).
- 6) Fire, water damage, theft, war, riot, hostility, acts of God such as hurricanes, floods, etc.
- 7) Service calls resulting in customer education.
- 8) Improper Installation (ie. Building-in of a free standing appliance or using an appliance outdoors that is not approved for outdoor application).

Proof of purchase date will be required for warranty claims; so, please retain bills of sale.

REPLACEMENT PARTS LIST

For replacement parts, call our customer service department at 1-800-643-0067, 8 a.m. - 6 p.m., EST, Monday – Thursday, 8 a.m. - 5 p.m., EST, Friday.

PART	DESCRIPTION	PART #
1	Exhaust Nozzle Connector	A5815-320-H-D2
2	Flexible Exhaust Hose	A6200-070-D2
3	Window Panel Nozzle	A4267-010-D2
4	Window Panel Extension	A5700-663-V-D2
5	Window Panel	A5700-642-V-D2
6	Remote	A2529-090-AA14
7	Drain Cover (Dehumidifier Direct Drain)+Drain Plug	A7305-020-A-D2
8	Bottom Drain Cover	A7305-030-A-22
9	Castor	A7402-020
10	Remote control holder	A5825-620-A-D2
11	Direct Drain Hose	D7216-020
12	Air Filter	A7331-010



Printed in China
 Idylis® is a registered trademark
 of LF, LLC. All Rights Reserved.