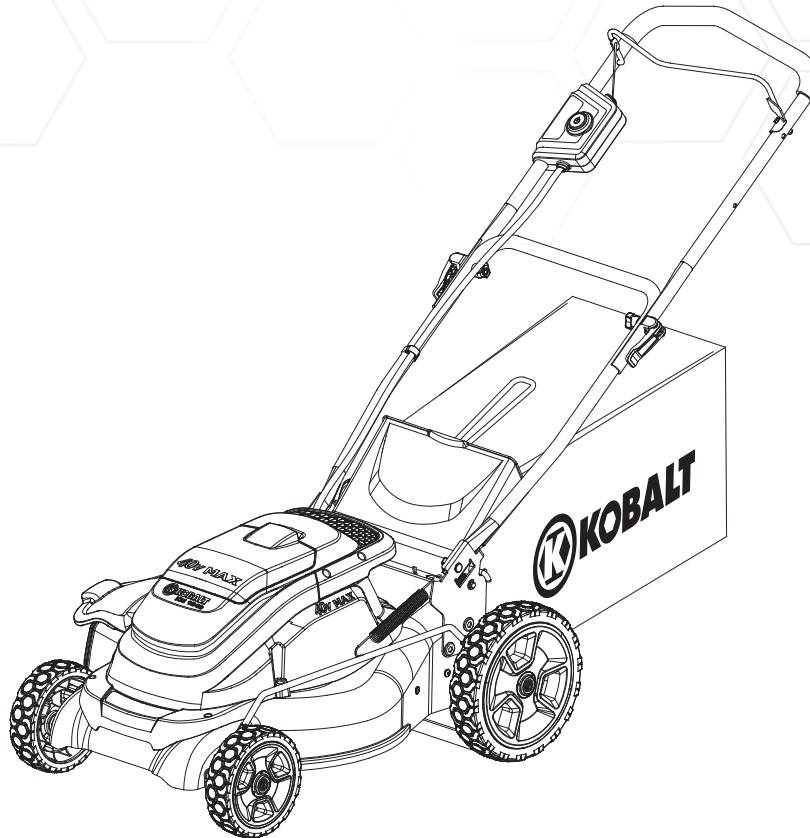




# NEXT GENERATION OF TOUGH TOOLS™



ITEM #0506585

## 19 IN., 40 V LITHIUM-ION CORDLESS MOWER

MODEL #KM1940-06

KOBALT® and the K Design® are registered trademarks of LF, LLC. All Rights Reserved.

Français p. 22

Español p. 43

### ATTACH YOUR RECEIPT HERE

Serial Number \_\_\_\_\_

Purchase Date \_\_\_\_\_



**Questions, problems, missing parts?** Before returning to your retailer, call our customer service department at **1-888-3KOBALT (1-888-356-2258)**, 8 a.m. - 8 p.m., EST, Monday - Friday.

## TABLE OF CONTENTS

---

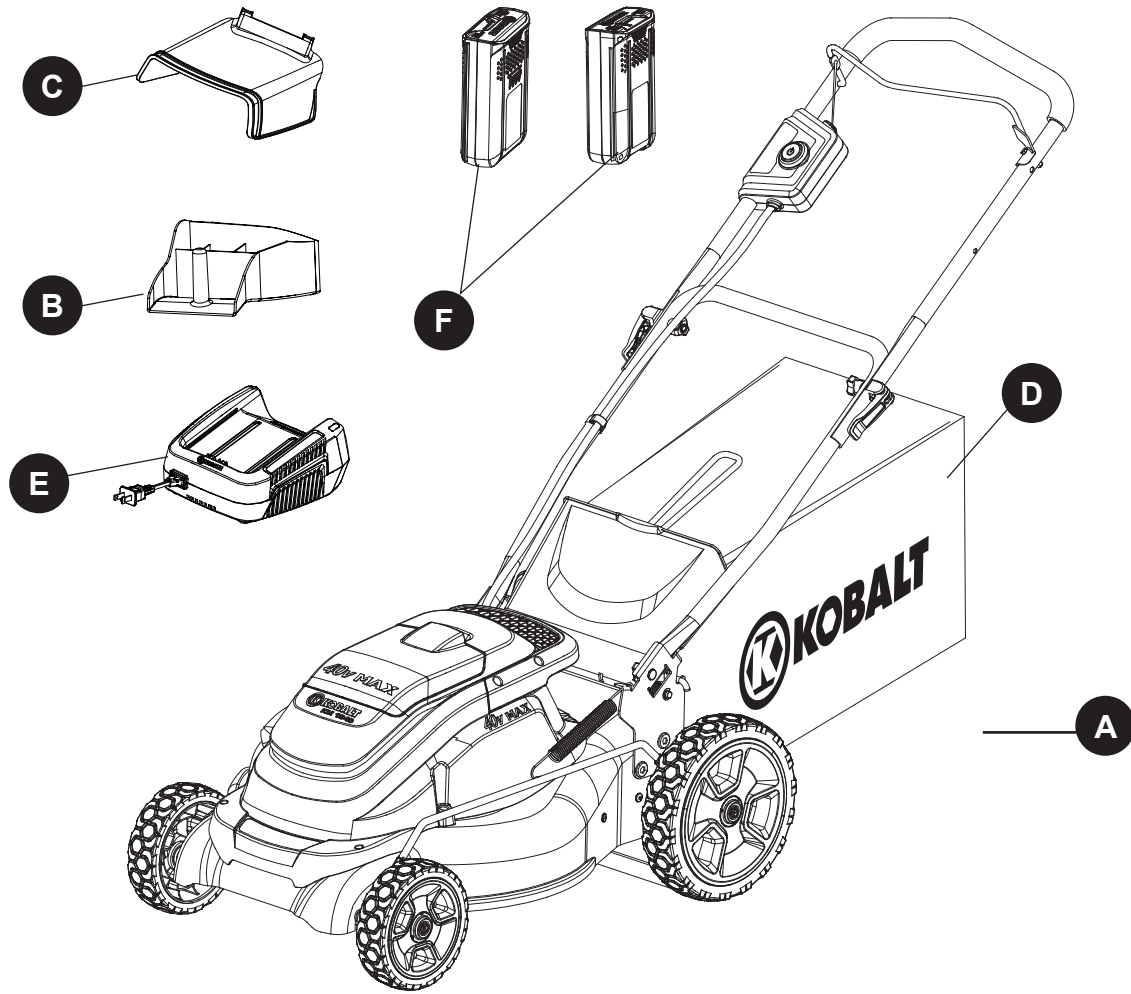
Product Specifications.....	2
Package Contents.....	3
Safety Information.....	6
Preparation .....	11
Assembly Instructions .....	12
Operating Instructions .....	15
Care and Maintenance .....	17
Troubleshooting.....	19
Warranty.....	20
Replacement Parts List .....	21

## PRODUCT SPECIFICATIONS

---

SPECIFICATIONS	
Battery type	40 V Lithium-ion
Charge time	1 hour, for 40 V 73 Wh battery 2 hours, for 40 V 146 Wh battery
No-load speed	3,300 RPM
Height adjustments	1-1/4 - 3-1/2 in.
Functions	3-in-1: Mulch, side discharge or rear bag
Unit weight (without battery)	46.80 lbs. / 21.23 kg












# PACKAGE CONTENTS



PART	DESCRIPTION	QUANTITY
A	Lawn mower	1
B	Mulching plug	1
C	Side discharge chute	1
D	Grass catcher bag	1
E	Charger	1
F	Battery 40 V 2ah	1
	Battery 40 V 4ah	1

## SYMBOLS

Some of the following symbols may be used on this product. Please study them and learn their meaning. Proper interpretation of these symbols will allow you to operate the product better and safer.


SYMBOLS	DESIGNATION / EXPLANATION
V	Volts
A	Amperes
Hz	Hertz
W	Watts
Hrs.	Hours
	Precautions that involve your safety.
	To reduce the risk of injury, user must read and understand user's manual before using this product.
	Wear eye and head protection when operating this equipment.
	Do not expose machine to rain or wet conditions.
	Pay attention that bystanders are not injured through foreign objects thrown from the mower.
	Keep all bystanders (especially children and pets) at least 50 feet away from the work area.
	Keep hands and feet away from blade and cutting area.
	Do not operate on inclines greater than 15°. Mow across the face of slopes, never up and down.
	Beware of electric shock hazard.
	Wait for all components of machine to have completely stopped before touching them.
	The charger is intended for indoor use only.

## SYMBOLS

---

### Save these Instructions

The following signal words and meanings are intended to explain the levels of risk associated with this product.

SYMBOL	SIGNAL	MEANING
	DANGER	Indicates an imminently hazardous situation, which, if not avoided, will result in death or serious injury.
	WARNING	Indicates a potentially hazardous situation, which, if not avoided, could result in death or serious injury.
	CAUTION	Indicates a potentially hazardous situation, which, if not avoided, may result in minor or moderate injury.
	CAUTION	(Without Safety Alert Symbol) Indicates a situation that may result in property damage.

### ENVIRONMENTAL PROTECTION



Waste electrical products should not be disposed of with household waste. Please recycle where facilities exist. Check with your local authority or retailer for recycling advice. The battery contains material which is hazardous to you and the environment. It must be removed and disposed of separately at a facility that accepts lithium-ion batteries.

## SAFETY INFORMATION

### General safety rules








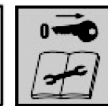




#### Read all instructions carefully




### WARNING

- This symbol indicates important safety instructions. If these instructions are not followed, it could endanger the personal safety and/or property of the operator and others. Read and understand all instructions in this manual before attempting to operate the mower. Failure to comply with these instructions may result in personal injury.
- Basic safety precautions should always be followed when using electric lawn mowers, in order to reduce the risk of fire, electric shock, and personal injury.
- Use of this mower should be restricted to individuals who have read and understood and will follow the warnings and instructions that are printed in this manual and on the mower.

### DANGER

This mower was built to be operated according to the rules for safe operation that are contained in this manual. As with any type of power equipment, carelessness or error on the part of the operator can result in serious injury. This mower is capable of amputating body parts and throwing objects. Failure to observe the following safety rules could result in serious injury or death.



 **DANGER** **PELIGRO** **DANGER**

**AVOID SERIOUS INJURY OR DEATH**

- To reduce risk of injury, user must read and understand operator's manual.
- To reduce the risk of electric shock, do not expose to water, do not use in rain.
- Replace damaged parts immediately.
- Remove the key before servicing, opening or removing blade.
- Do not mow when children and others are around.

- Remove object that could be thrown by the blade.
- Go across slopes, not up and down.
- Keep safety devices(guards, shields, switches ETC.) in place and working.
- Look down and behind before and while moving backwards.
- Always wear proper eye and hearing protection.

**EVITE LAS LESIONES GRAVES Y LA MUERTE**

- Para reducir el riesgo de lesiones, el usuario debe leer y comprender el manual del operador.
- Para reducir el riesgo de descargas eléctricas evite que el producto entre en contacto con el agua, no lo use bajo la lluvia.
- Reemplace inmediatamente las piezas dañadas.
- Retire la llave antes de realizar cualquier tipo de mantenimiento o de abrir o quitar la hoja
- No corte el césped cuando haya niños u otras personas alrededor.

- Quite los objetos que obstaculicen el funcionamiento de la cuchilla y que puedan salir despedidos.
- Si se encuentra en una pendiente, crúzela, no la baje ni la suba.
- Mantenga los dispositivos de seguridad (cubiertas, protectores, interruptores, ETC.) en su lugar y en funcionamiento.
- Mire hacia abajo y hacia atrás antes y mientras se desplaza hacia atrás.
- Use protección para los ojos y los oídos siempre.

**ÉVITEZ LES BLESSURES GRAVES OU LA MORT**


- Afin de réduire le risque de blessures, l'utilisateur doit lire et comprendre le manuel d'instructions.
- Afin de réduire les risques de chocs électriques, l'appareil ne doit pas entrer en contact avec de l'eau ni être utilisé sous la pluie.
- Remplacez immédiatement toute pièce endommagée.
- Retirez la clé avant d'ouvrir l'appareil, de procéder à son entretien ou de retirer la lame.
- Ne tondez pas la pelouse lorsque des enfants ou d'autres personnes sont aux alentours.

- Enlevez tout objet qui pourrait être projeté par la lame.
- Dans une pente, passez la tondeuse perpendiculairement et non de haut en bas.
- Assurez-vous que les dispositifs de protection (protecteurs, écrans, interrupteurs, etc.) sont en place et fonctionnent.
- Regardez vers le sol et derrière vous avant et pendant que vous reculez.
- Assurez-vous de protéger vos yeux et votre ouïe adéquatement.

## SAFETY INFORMATION

---

### WARNING

- To avoid serious personal injury, do not attempt to use this product until you have read this owner's manual thoroughly and understand it completely. If you do not understand the warnings and instructions in this Owner's Manual, do not use this product. Call 1-888-356-2258 for assistance.
-  The operation of any power tool can result in foreign objects being thrown into your eyes, which can result in severe eye damage. Before beginning power tool operation, always wear safety goggles or safety glasses with side shields and, when needed, a full face shield. We recommend a wide vision safety mask for use over eyeglasses or standard safety glasses with side shields. Always use eye protection which is marked to comply with ANSI Z87.1.

### WARNING (Proposition 65)

Some dust created by power sanding, sawing, grinding, drilling and other construction activities contains chemicals known to the state of California to cause cancer, birth defects or other reproductive harm. Some examples of these chemicals are:

- Lead from lead-based paints,
- Crystalline silica from bricks and cement and other masonry products, and
- Arsenic and chromium from chemically-treated lumber.

Your risk from these exposures varies, depending on how often you do this type of work. To reduce your exposure to these chemicals: work in a well ventilated area, and work with approved safety equipment, such as dust masks that are specially designed to filter out microscopic particles.

## SAFETY INFORMATION

---

Carefully read all instructions on the mower and in the manual before attempting to assemble and operate the mower. Keep this manual in a safe place for future reference and consult it regularly.

- Become familiar with all controls and their proper operation. Know how to stop the mower and how to disengage the power in an emergency.
- In order to avoid contact with the blade or injury caused by a thrown object, stay in the operating zone behind the handles and keep children and bystanders at least 50 ft. (15 m) away from the mower while it is in operation. Stop the motor immediately if someone enters the mowing area.
- Thoroughly inspect the area where the mower is to be used. Remove all stones, sticks, wires, bones, toys, and other objects that could be tripped over or thrown by the blade. Thrown objects can cause serious personal injury.
- Plan your mowing pattern in such a way as to avoid discharging material toward roads, sidewalks, bystanders, etc. Do not discharge material against a wall or obstruction. Doing so may cause the discharged material to ricochet back toward the operator.
- Always wear proper eye protection that complies with ANSI Z87.1 in order to protect your eyes, along with hearing protection, while operating or performing any adjustment or repair. Thrown objects that ricochet can cause serious eye injury.
- Always wear a face mask or a dust mask when operating the mower in a dusty environment.
- Dress properly. Do not wear loose clothing or jewelry that can get caught in moving parts. The wearing of protective gloves and safety footwear is recommended.
- Many injuries occur as a result of the mower being pulled over the operator's foot during a fall caused by slipping or tripping. Do not operate this mower in bare feet or while wearing sandals or lightweight (e.g., canvas) shoes. Do not hold on to the mower if you are falling. Release the handle immediately.





## SAFETY INFORMATION

---

- Never pull the mower back toward you while you are walking. If you must back the mower away from a wall or an obstruction, first look down and behind in order to avoid tripping, and then follow these steps:
  - Step back from the mower in order to fully extend your arms.
  - Be sure that you are well balanced.
  - Pull the mower back slowly.
- Do not use the mower for any job except that for which it is intended. Do not force the mower.
- Do not operate the mower while under the influence of alcohol or drugs.
- Stay Alert: Do not operate the mower when you are tired. Pay attention to what you are doing. Use common sense.
- Do not put hands or feet near rotating parts or under the cutting deck. Contact with the blade can amputate hands and feet.
- Do not attempt to adjust the wheels or the cutting height while the motor is running.
- Avoid dangerous environments. Do not operate the mower in the rain or in wet or damp grass.
- Mow only in daylight or in good artificial light. Do not rush a mowing job.
- Stop the blade when crossing gravel driveways, walkways, or roads.
- If the mower starts to vibrate excessively, stop the motor and remove the battery. Check for the cause immediately. Vibration is generally a warning of trouble.
- Stop the motor and wait until the blade comes to a complete stop before removing the grass catcher or unclogging the chute. The cutting blade will continue to rotate for a few seconds after the motor is shut off. Do not place any part of your body in the blade area until you are sure that the blade has stopped rotating.
- Never operate mower without a proper trail shield, chute cover, grass catcher, switch control, or other safety device in place and in working order. Do not operate the mower with damaged safety devices. Doing so can result in injury.
- Store idle lawn mower indoors. When not in use, lawn mower should be stored in an indoor dry and locked-up place, out of reach of children.
- Maintain lawn mower. Keep blade edges sharp for best and safest performance.
- If lawn mower strikes a foreign objects follow these steps:
  - Stop lawn mower, release the switch.
  - Remove the battery.
  - Inspect for damage.
- Repair any damage before restarting and operating the lawn mower.
- Remove battery before servicing, cleaning or removing material from lawn mower.

### Child safety

Tragic accidents can occur if the operator is not aware of the presence of children.

- Keep children out of the mowing area and under the watchful care of a responsible adult.
- Do not allow children under the age of 14 to operate this mower. Children who are 14 years of age and older must read and understand the operating instructions and safety rules in this manual, and must be trained and supervised by a parent.
- Stay alert and turn the mower off if a child or any other person enters the mowing area.
- Look behind and down for small children before and while moving backwards.
- Use extreme care when approaching blind corners, doorways, shrubs, trees, or other objects that may obscure your view of a child who may run into the path of the mower.



## SAFETY INFORMATION

---

### Battery and Charger

#### CAUTION

Use only 40 V Kobalt approved replacement batteries, other batteries may cause injury or damage to the mower.

#### Battery safety rules

- Battery tools do not have to be plugged into an electrical outlet; therefore, they are always in operating condition. Be aware of possible hazards when not using your battery tool or when changing accessories. Following this rule will reduce the risk of electric shock, fire, or serious personal injury.
- Do not place battery tools or their batteries near fire or heat. This will reduce the risk of explosion and possibly injury.
- Do not crush, drop or damage battery pack. Do not use a battery pack or charger that has been dropped or received a sharp blow. A damaged battery is subject to explosion. Properly dispose of a dropped or damaged battery immediately.
- Batteries can explode in the presence of a source of ignition, such as a pilot light. To reduce the risk of serious personal injury, never use any cordless product in the presence of open flame. An exploded battery can propel debris and chemicals. If exposed, flush with water immediately.
- Do not charge battery in a damp or wet location. Following this rule will reduce the risk of electric shock.
- For best results, your battery should be charged in a location where the temperature is more than 45°F but less than 104°F. To reduce the risk of serious personal injury, do not store outside or in vehicles.
- Under extreme usage or temperature conditions, battery leakage may occur. If liquid comes in contact with your skin, wash immediately with soap and water. If liquid gets into your eyes, flush them with clean water for at least 10 minutes, then seek immediate medical attention. Following this rule will reduce the risk of serious personal injury.
- When battery pack is not in use, keep it away from other metal objects like: paper clips, coins, keys, nails, screws, or other small metal objects that can make a connection from one terminal to another. Shorting the battery terminals together may cause sparks, burns, or a fire.
- Always remove battery from your tool when you are assembling parts, making adjustments, cleaning, or when not in use. Removing the battery pack will prevent accidental starting that could cause serious personal injury.
- Always remove battery before storing the device. When battery becomes fully charged, unplug the charger from the power supply and remove the battery pack from the charger.
- Keep battery pack dry, clean, and free from oil and grease. Always use a clean cloth when cleaning. Never use brake fluids, gasoline, petroleum-based products, or any solvents to clean battery pack.
- Always remove battery before storing the device. When battery becomes fully charged, unplug the charger from the power supply and remove the battery pack from the charger.
- Keep battery pack dry, clean, and free from oil and grease. Always use a clean cloth when cleaning. Never use brake fluids, gasoline, petroleum-based products, or any solvents to clean battery pack.

#### WARNING

When transporting or servicing unit, always remove the battery.

#### Charger safety rules

- Charge the mower battery in a dry area that is protected from the weather. Do not expose the charger to rain. Do not charge the battery in a wet location. Operate the battery charger in temperatures between 45° and 104°F. In order to reduce the risk of electric shock, use only the charger that is provided by the manufacturer to charge the battery.

## SAFETY INFORMATION

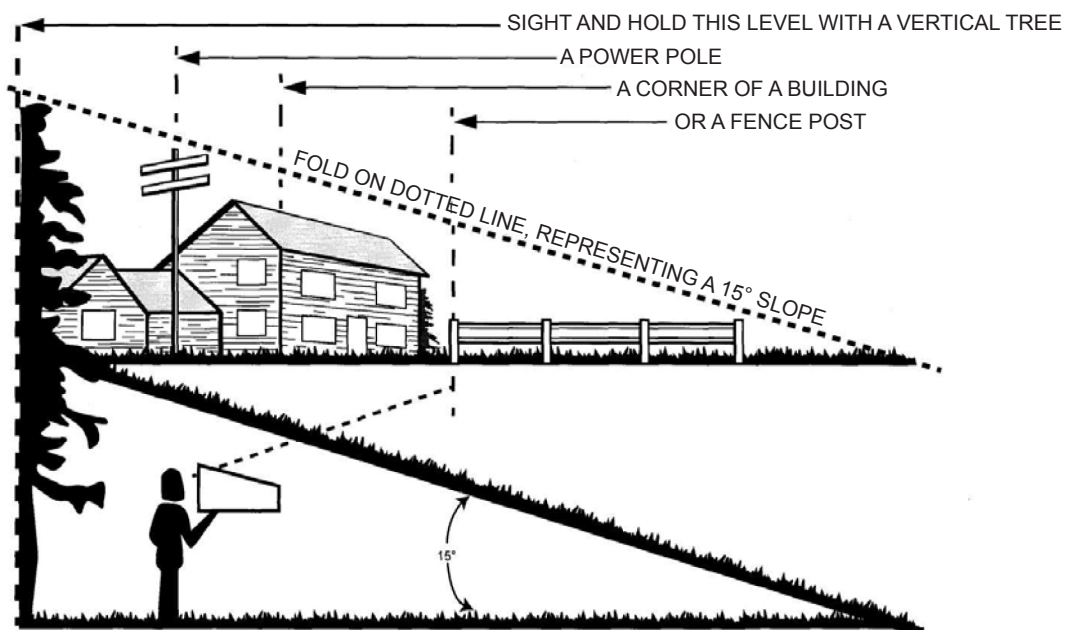
- Do not abuse the charger cord. Never carry the charger by the cord. Do not disconnect the charger from the outlet by pulling the charger cord.
- Do not use a damaged charger. Replace the charger cords or the charger immediately.
- Keep the mower and the charger away from water, heat sources (radiators, heaters, stoves, etc.), flames, and chemicals.
- Make sure the battery is secured in the charger.
- The battery will become slightly warm to the touch while charging. This is normal and does not indicate a problem.
- Do not place the charger and battery pack in an area of extreme heat or cold. They will work best at normal room temperature.
- When batteries become fully charged, unplug the charger from the power supply and remove the battery.

### Slope gauge

#### WARNING

Slopes are a major factor related to accidents involving slips and falls, which can result in severe injury. Operating the mower on a slope requires extra caution. If you feel uneasy on a slope, do not mow it. For your safety, use the slope gauge that is included as part of this manual to measure slopes before operating this unit on a sloped or hilly area.

- Mow across the face of a slope and never up and down. Exercise extreme caution when changing direction on a slope.
- Watch for holes, ruts, rocks, hidden objects, or bumps that may cause a slip or a trip. Tall grass can hide obstacles.
- Always be sure of your footing. If you feel like you are losing your balance, release the bail switch immediately. The blade will stop rotating within 3 seconds.
- Do not mow near drop-offs, ditches, or embankments, because you could lose your footing or balance.
- Do not mow a slope that has an angle of greater than  $15^\circ$ , as determined using the slope gauge.
- Do not mow wet or damp grass. Unstable footing can cause slipping.



**! SAFETY INFORMATION**

**! WARNING:** Do not mow a slope that has an angle of greater than 15° (a rise of approximately 2-1/2 ft. every 10 ft.). Mow across the face of a slope, and never up and down.

**PREPARATION**

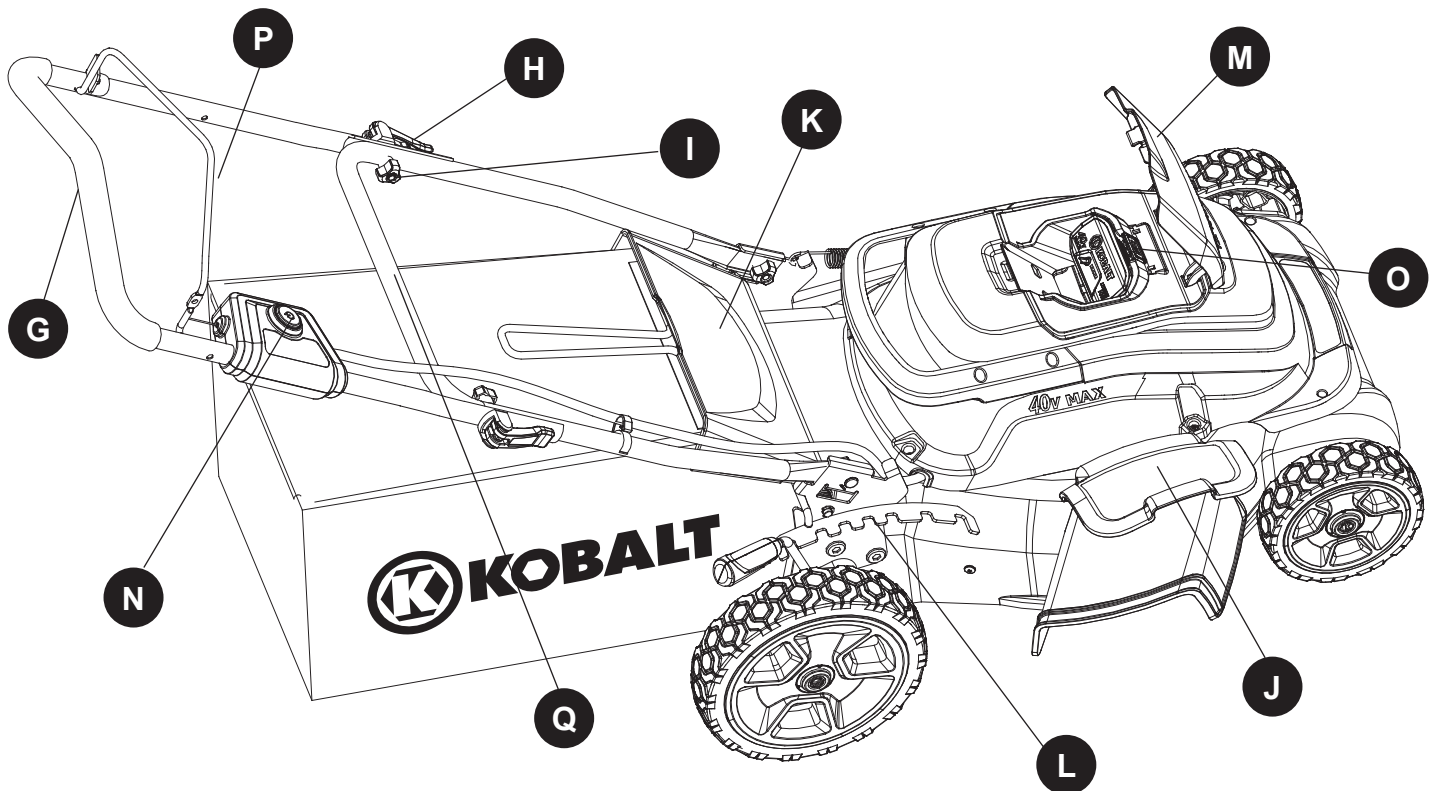
Before beginning assembly of product, make sure all parts are present. Compare parts with package contents list and hardware contents list. If any part is missing or damaged, do not attempt to assemble the product.

**UNPACKING**

- Carefully remove the product and any accessories from the box. Make sure that all items listed in the “Package Contents” section are included.
- Inspect the product carefully to make sure no breakage or damage occurred during shipping.
- Do not discard the packing material until you have carefully inspected and satisfactorily operated the product.
- If any parts are damaged or missing, please call 1-888-356-2258 for assistance.

**Estimated Assembly Time: 5 minutes**

**KNOW YOUR MOWER**



PART	DESCRIPTION	QUANTITY
G	Upper handle	1
H	Cam locks	1
I	Handle knobs	1
J	Side discharge cover	1
K	Rear discharge cover	1
L	Height adjustment lever	1

PART	DESCRIPTION	QUANTITY
M	Battery door	1
N	Start button	1
O	Battery release button	1
P	Bail switch	1
Q	Lower handle	1

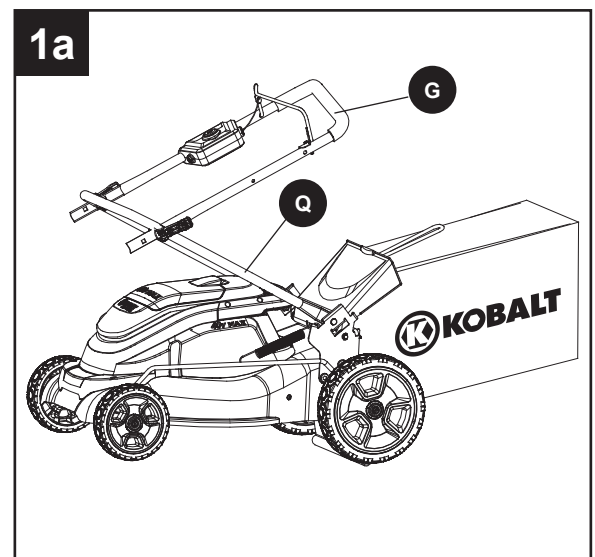
## ASSEMBLY INSTRUCTIONS

### WARNING

- If any parts are damaged or missing do not operate this product until the parts are replaced. Using a product with damaged or missing parts could result in serious personal injury.
- Do not attempt to modify this product or create accessories not recommended for use with this product. Any such alteration or modification is misuse and could result in a hazardous condition leading to possible serious personal injury.
- Do not insert the battery until assembly is complete and you are ready to mow. Failure to comply could result in accidental starting and possible serious personal injury.
- To prevent accidental starting that could cause serious personal injury, always remove the battery pack from the product when assembling parts.
- Never operate the mower without the proper safety devices in place and working. Never operate the mower with damaged safety devices. Operation of this product with damaged or missing parts could result in serious personal injury.

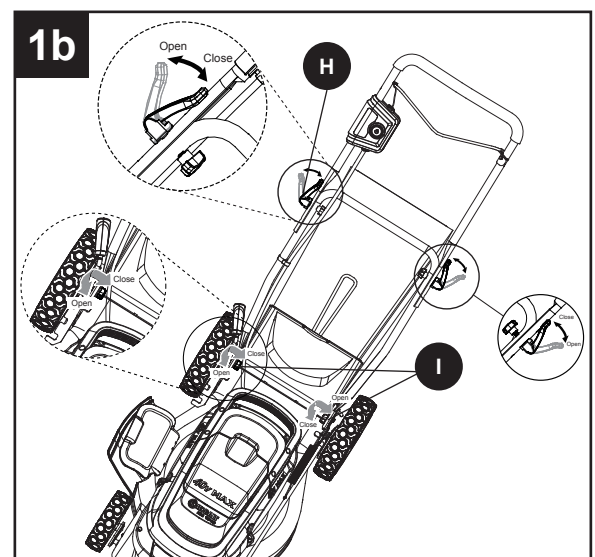
#### 1a. Unfolding and adjusting handle

Pull up and back on the upper handle (G) to raise the handle into operating position. Make certain the lower handle (Q) snap into place securely.



- 1b.** Tighten the upper handle (G) with the cam locks (H) on both sides. Tighten the lower handle (Q) with the handle knobs (I) on both sides. If the connection is not stiff, hand tighten the handle knobs.

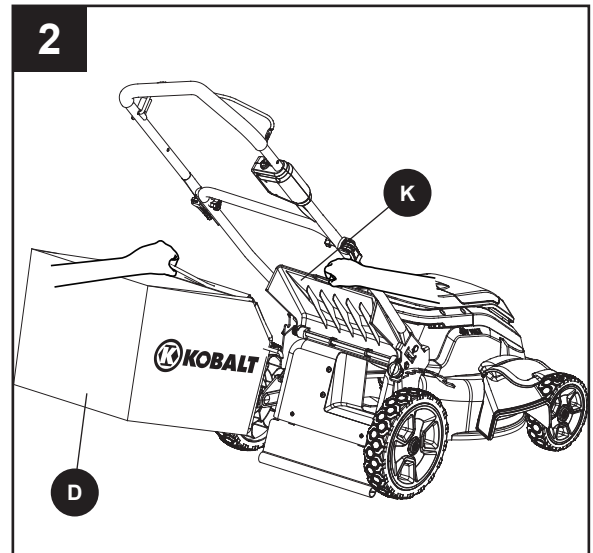
**Note:** Do not overtighten the handle knobs. It could cause cam locks to break.



## ASSEMBLY INSTRUCTIONS

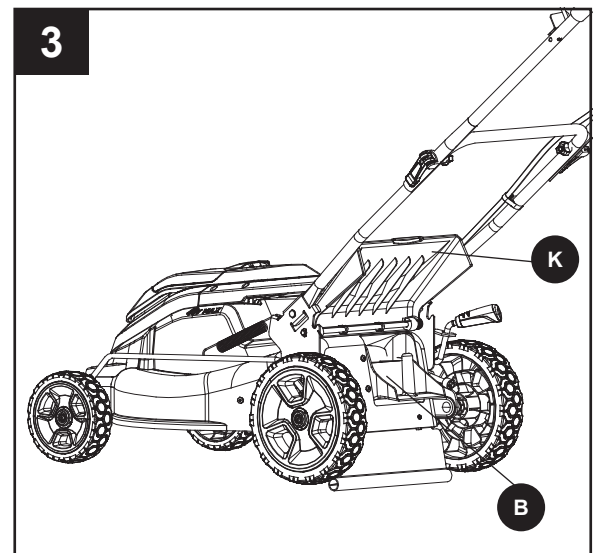
### 2. Installing the grass catcher bag

- Lift the rear discharge cover (K).
- Lift the grass catcher (D) by its handle and place under the chute cover so that the hanger hooks on the grass catcher frame are seated into the slots in the handle bracket.
- Release the rear discharge cover (K). When installed correctly, the hooks on the grass catcher will rest securely in the slots on the handle brackets



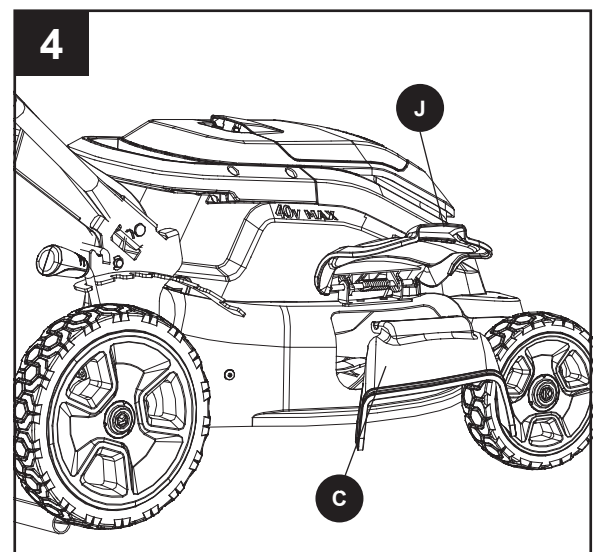
### 3. Removing the mulching plug

- To remove the mulching plug (B), lift the rear discharge cover (K).
- Grasp the handle of the mulching plug and pull the mulching plug (B) out using the handle.
- The mulching plug (B) is inserted on an angle, so it requires some force to remove it.
- The mulching plug (B) must be removed in order to install the grass catcher bag.
- The mulching plug (B) must be re-installed when the grass catcher bag is removed.



### 4. Installing side discharge chute

- Lift the side discharge cover (J).
- Align the grooves on the side discharge chute (C) with the pins on the underside of the side discharge cover (J).
- Lower the side discharge chute (C) until the hooks on the mower deck are secured in the openings in the side discharge chute (C).
- Release the side discharge chute (C) and side discharge cover (J).



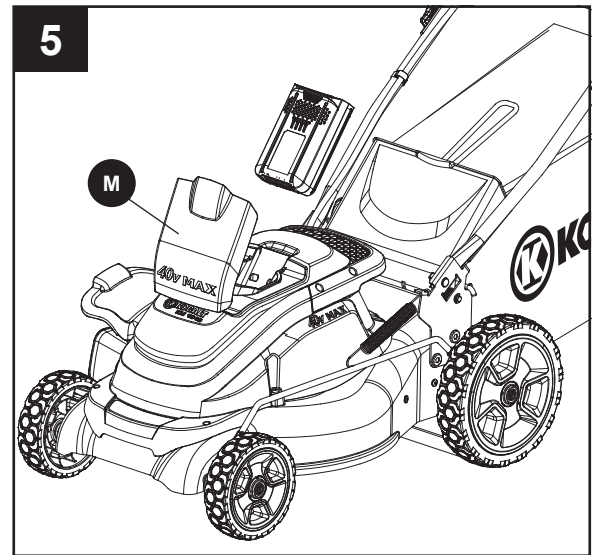


## ASSEMBLY INSTRUCTIONS

**! WARNING:** Always remove battery from your tool when you are assembling parts, making adjustments, cleaning, or when not in use. Removing battery will prevent accidental starting that could cause serious personal injury.

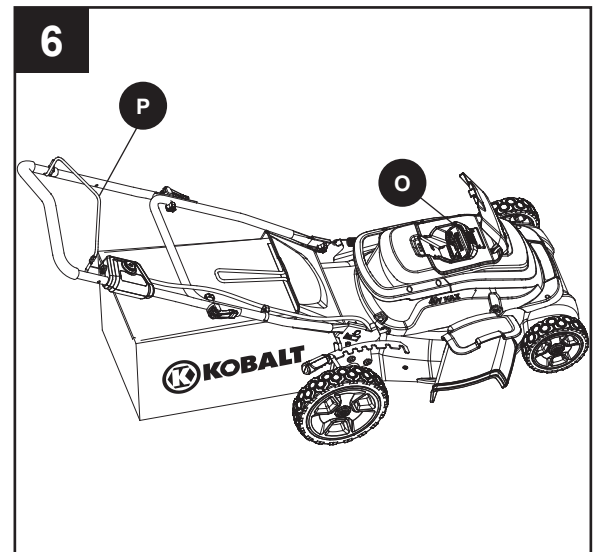
### 5. To install battery

- Lift and hold up the battery door (M).
- Align raised ribs on battery with grooves in the mower's battery port.
- Make sure the battery release button snaps in place and that battery is fully seated and secure in the mower before beginning operation.
- If the machine is not going to be used immediately, remove the battery.
- Close the door.



### 6. To remove battery

- Release the bail switch (P) to stop the mower.
- Press the battery release button (O) on the mower. This will cause the battery to raise out of the tool slightly.
- Hold battery door open before pressing battery release button.
- Remove battery from the mower.



## OPERATING INSTRUCTIONS

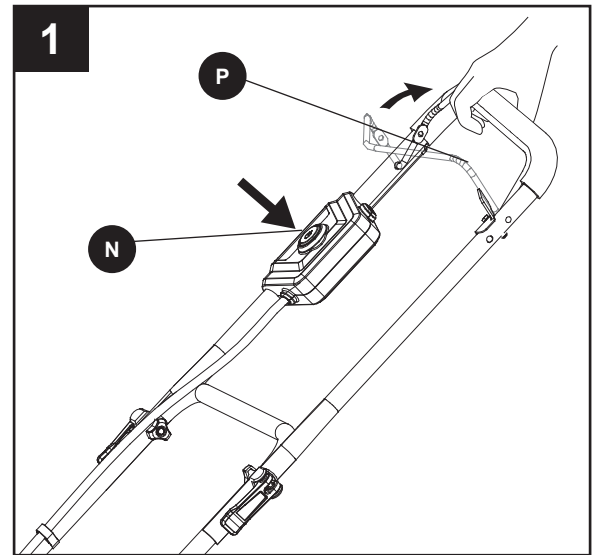
### 1. Starting/Stopping the mower

#### a. To start the motor:

- Raise the battery cover.
- Install battery.
- Press and hold the start button (N).
- Pull the bail switch (P) upward to the handle to start the mower and release the button.

#### b. To stop the motor:

- Release the bail switch (P).



### 2. Soft-Start

This LI-ION mower is equipped with a “soft-start” feature. When initially starting up, the mower will take approx. 3 seconds to get up to full speed. If the mower does not initially start: Remove the battery and check under the mower deck to ensure there is nothing obstructing the blade and that the blade can spin freely by hand. Even a small amount of grass on start up will prevent the “soft-start” from turning the mower on.

#### **!** CAUTION

Do not attempt to override the operation of the safety lock-out button or bail lever

#### **!** WARNING:

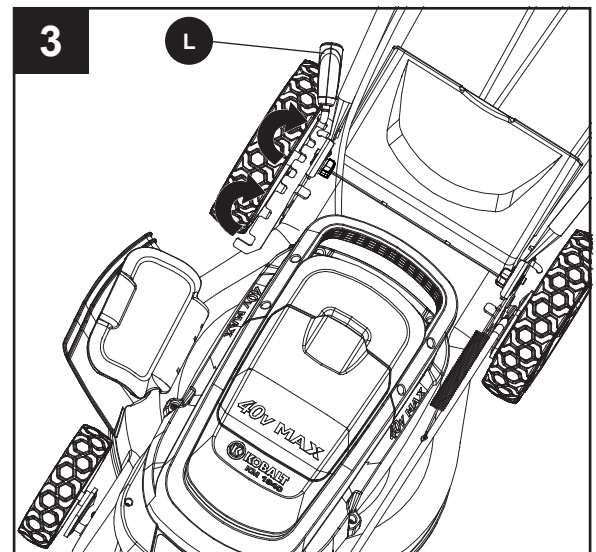
- The operation of any mower can result in foreign objects being thrown into the eyes, which can cause severe eye damage. Always wear safety glasses while operating the mower and while performing any adjustments or repairs.
- Ensure that other people and pets remain at least 50 ft. away when the mower is in use
- Remove all stones, sticks, wires, bones, and other debris that might be thrown by the rotating blades.

### 3. Cutting height adjustment

When shipped, the wheels on the mower are set to a low-cutting position. Before using the mower for the first time, raise the cutting position to the height best suited for your lawn. The average lawn should be between 1-1/2 in. to 2 in. during cool months and between 2 in. and 3-1/2 in. during hot months.

To adjust the blade height:

- To raise the blade height, grasp the height adjustment lever (L) and move it toward the back of the mower.
- To lower the blade height, grasp the height adjustment lever (L) and move it toward the front of the mower.





## OPERATING INSTRUCTIONS

### Mowing tips

**Note:** A sharp blade will greatly enhance the performance of the mower, especially when cutting high grass. Be sure to check the blade and to sharpen it at least once per year.

- Verify that the lawn is free of stones, sticks, wires, and other objects that could damage the blades or the motor. These objects could be accidentally thrown by the mower in any direction, and could cause serious personal injury to the operator and to others. In order to prevent electric shock, do not operate the mower in damp or wet conditions.
- Do not mow in circles. Travel back and forth across the lawn.
- When cutting thick grass, reduce walking speed in order to allow for a more effective cut and a proper discharge of the clippings.
- For a healthy lawn, always cut off one-third or less of the total length of the grass. The average lawn should be approximately 1-1/2 to 2 in. (3,8cm to 5cm) long during cool months, and between 2 in. to 3-1/4 in. (5cm to 8,3cm) long during hot months. If there is growth, the lawn should be cut in the fall.

### Mulching tips

**Note:** Inspect the area where the mower is to be used and remove all stones, sticks, wires, bones, and other debris that might be thrown by the rotating blade.

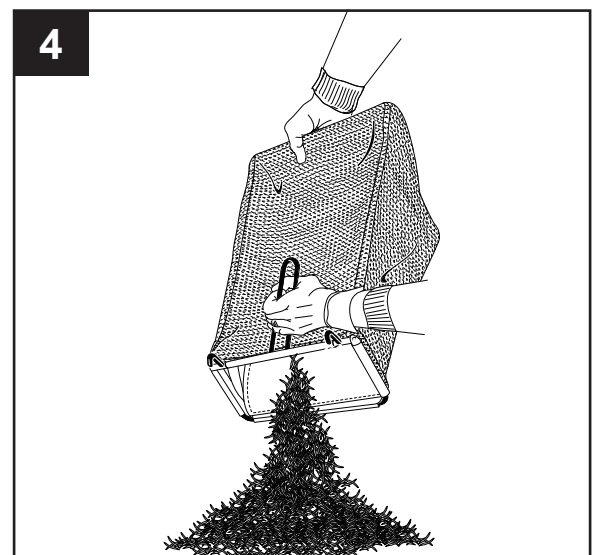
- Release the switch to turn the mower OFF when crossing any graveled area (stones can be thrown by the blade).
- Set mower to the highest cutting height when mowing on uneven ground or in tall weeds.
- For effective mulching, do not cut wet grass because it tends to stick to the underside of the deck, preventing proper mulching of grass clippings. New or thick grass may require a narrower cut. The ground speed should be adjusted to the condition of the lawn. If mowing has been delayed and the grass has been allowed to grow longer than 4 in. mow the lawn twice in order to reduce the grass height to a maximum of 3-1/4 in.
- Walk at a steady pace. Overlap the cutting rows. Do not let the grass get too tall. If the grass gets too long, start at the highest cutting position and work down to the desired cutting height.

### WARNING

If you strike a foreign object, stop the motor and remove the battery. Thoroughly inspect the mower for any damage. Repair any damage before operating the mower. Excessive vibration of the mower during operation is an indication of damage. Thoroughly inspect the mower and repair any damage before operating the mower.

#### 4. Emptying the grass catcher bag

- Stop mower, allow blades to completely stop, and remove the battery.
- Lift the rear discharge cover.
- Lift the grass catcher bag by its handle to remove from mower.
- Empty grass clippings.
- Lift the rear discharge cover and reinstall the grass catcher bag as described earlier in this manual.



## CARE AND MAINTENANCE

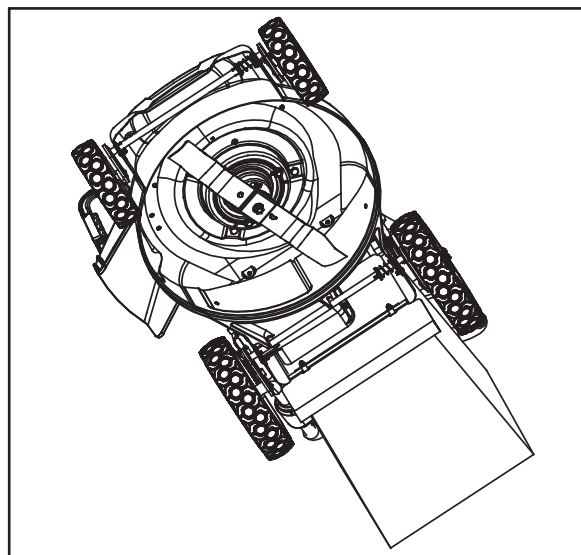
### Replacing the cutting blade

#### WARNING

Always protect your hands by wearing heavy gloves and/or wrapping the cutting edges with rags or other materials when performing any maintenance on the blades. Always remove the battery when servicing or transporting the mower.

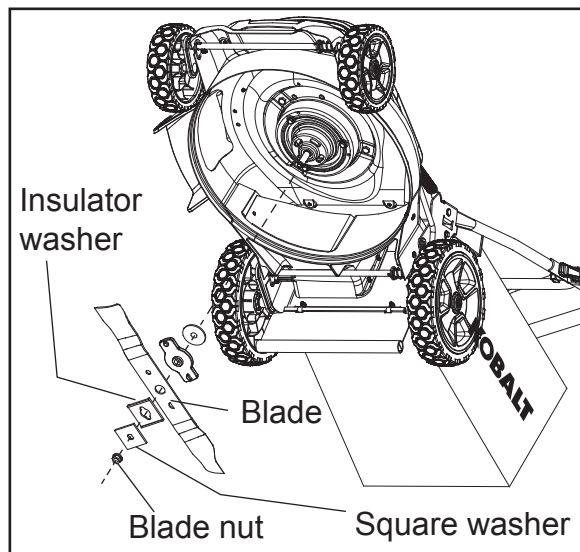
Use only a Kobalt replacement blade. (Item #0535383, sold separately).

- Remove battery.
- While wearing leather padded gloves, wedge a block of wood between the blade and the mower deck in order to prevent the blade from turning when the nut is being removed.
- Using a 15 mm wrench or socket (not included), loosen the blade nut and remove the blade. Turn the nut counterclockwise to loosen it and clockwise to tighten it.
- Remove the blade nut, the square washer, the insulator washer and the blade.



- To re-install the blade, position the blade with the cutting edges toward the ground. Assemble the blade nut, the square washer, and the insulator washer as shown. Using a 15 mm socket or wrench, turn the blade nut clockwise in order to secure the blade.

**Note:** Be sure to replace the parts in the exact order in which they were removed. When installing the cutting blade, verify that it is installed with the curved ends pointing toward the mower deck, and not toward the ground. Refer to the schematic drawing on the right.



### Cleaning the mower

#### WARNING

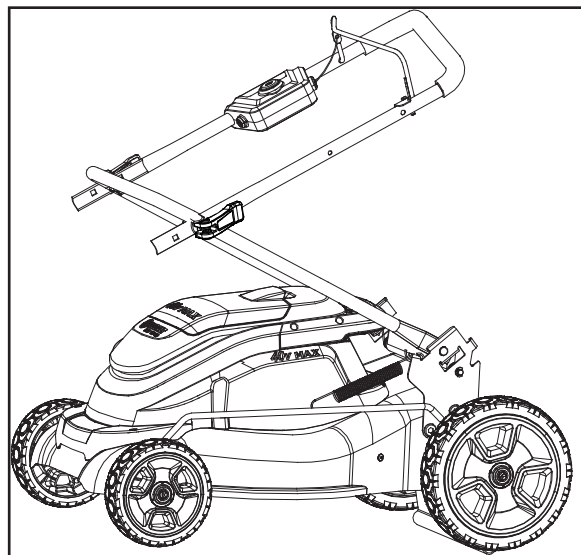
- To reduce the risk of electric shock, do not expose the mower to water.
- The underside of mower deck should be cleaned after each use as grass clippings, leaves, dirt and other debris will accumulate causing rust and corrosion.
- Remove any buildup of grass and leaves on or around the motor cover (do not use water). Wipe the mower clean with a dry cloth occasionally.
- If debris builds up on the underside of the unit while in use, stop the motor and disconnect it from the power supply. Tilt the mower forward, or on its side, and scrape it clean with an appropriate tool.

## CARE AND MAINTENANCE

### Storing the mower

The following steps should be taken in order to prepare the lawn mower for storage.

- Clean the mower as described in the previous section.
- Inspect the blade, and replace it or sharpen it, if required.
- Store the mower in a dry, clean location. Do not store it next to corrosive materials, such as fertilizer or rock salt.
- Store the mower indoors in a cool, dry place, out of the reach of children. Do not cover the lawn mower with a solid plastic sheet. Plastic coverings trap moisture around the mower, which causes rust and corrosion.



### The handle may be folded away completely for storage.

- Lift up the cam locks on the sides of the handle to unlock and fold the upper handle down.
- Loosen the handle knobs, push inwards on each side of the lower handle, and lift the sides of the lower handle past the edges of the handle mounting brackets. Fold the lower handle forward. Make sure not to bend or kink the power cord.
- Remove the battery and store it in a cool, dry location.

### Service

Servicing requires extreme care and knowledge and should be performed only by a qualified service technician. For service, we suggest you return the product to your nearest authorized service center for repair. When servicing, use only identical replacement parts.

### WARNING

- When servicing the mower, use only replacement parts that are available from the manufacturer. In order to obtain replacement parts, call 1-888-356-2258. The use of parts that do not meet the original equipment specifications may lead to improper performance, and may compromise safety.
- Before cleaning, repairing, or inspecting, verify that the blade and all moving parts have come to a complete stop. Remove the battery when making any adjustments or when any of the four wheels must be lifted off the ground.
- Follow the instructions for lubricating and changing accessories.
- Keep the handles dry, clean, and free of oil and grease.
- In order to reduce the risk of fire, keep the motor free of grass, leaves, and debris build-up.
- Check the blade and motor mounting bolts for proper tightness frequently. Visually inspect blade for damage (e.g., bent, cracked, or worn).
- For best and safest performance, maintain the mower with care. Keep the mower blade sharp and clean. Mower blades are sharp and can cut. Wrap the blades or wear gloves and use extra caution when servicing.
- Keep all nuts, bolts, and screws tight in order to be sure that the equipment is in safe working condition.
- Never tamper with safety devices. Check them regularly for proper operation.
- After striking a foreign object, stop the motor. Thoroughly inspect the mower for any damage. Repair any damage before operating the mower.

## CARE AND MAINTENANCE

- The grass catcher components, chute cover, and trail shield are subject to wear and damage, which could expose moving parts or allow objects to be thrown. As a safety precaution, check these components frequently and immediately replace any parts that show signs of wear or that are cracked or broken. Use original equipment manufacturer's (OEM) parts only, as listed in this manual.
- When it is not in use, store the mower indoors in a dry area and out of the reach of children.

### WARNING

Always remove battery when servicing or transporting the mower.

## TROUBLESHOOTING

PROBLEM	POSSIBLE CAUSE	CORRECTIVE ACTION
The mower does not start.	<ol style="list-style-type: none"> <li>1. The battery is not charged.</li> <li>2. The switch is defective.</li> <li>3. Grass jammed at blade.</li> <li>4. The battery is not inserted all the way in the mower.</li> <li>4a. Battery may need replacement.</li> </ol>	<ol style="list-style-type: none"> <li>1. Charge the battery.</li> <li>2. Replace the switch.</li> <li>3. Remove battery; check under deck for jams.</li> <li>4. Insert the battery until it clicks.</li> <li>4a. Replace battery.</li> </ol>
The mower cuts the grass unevenly.	<ol style="list-style-type: none"> <li>1. The lawn is rough or uneven.</li> <li>2. The cutting height is not set properly.</li> </ol>	<ol style="list-style-type: none"> <li>1. Check the mowing area.</li> <li>2. Move the wheels to a higher setting.</li> </ol>
The mower does not mulch properly.	<ol style="list-style-type: none"> <li>1. Wet grass clippings are sticking to the underside of the deck.</li> <li>2. The mulching plug is missing.</li> </ol>	<ol style="list-style-type: none"> <li>1. Wait until the grass dries before mowing.</li> <li>2. Install the mulching plug.</li> </ol>
The mower is hard to push.	<ol style="list-style-type: none"> <li>1. The grass is too tall, or the cutting height is too low.</li> <li>2. The rear of the mower housing and the blade are dragging in thick grass.</li> </ol>	<ol style="list-style-type: none"> <li>1. Raise the cutting height.</li> <li>2. Empty the grass clippings from the grass catcher bag.</li> </ol>
The mower vibrates at higher speed.	<ol style="list-style-type: none"> <li>1. The motor shaft is bent.</li> <li>2. The blade is unbalanced.</li> </ol>	<ol style="list-style-type: none"> <li>1. Stop the motor, disconnect the mower from the power source, and inspect it for damage. Repair the mower before restarting. If the vibration persists, call 1-888-356-2258.</li> <li>2. Call 1-888-356-2258.</li> </ol>

## **WARRANTY**

---

### **5-YEAR HASSLE-FREE WARRANTY**

This Kobalt 19 in. 40 V lithium-ion cordless mower is warranted to the original purchaser from the original purchase date for five (5) years subject to the warranty coverage described herein.

This Kobalt 19 in. 40 V lithium-ion cordless mower is warranted for the original user to be free from defects in material and workmanship.

If you believe that the Kobalt 19 in. 40 V lithium-ion cordless mower is defective at any time during the specified warranty period, simply return the Kobalt 19 in. 40 V lithium-ion mower along with proof of purchase to the place of purchase for a free replacement or refund.

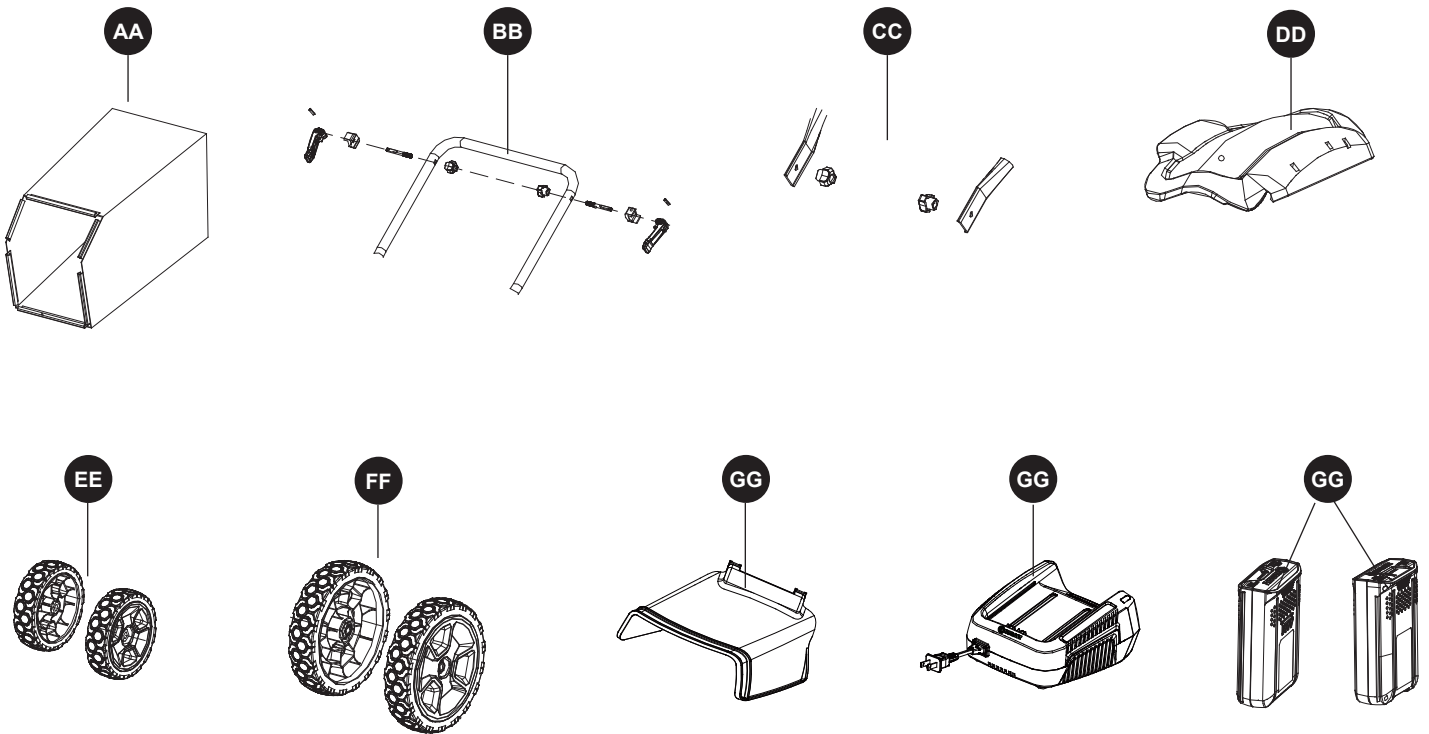
This warranty is void if: defects in materials or workmanship or damages result from repairs or alterations which have been made or attempted by others or the unauthorized use of nonconforming parts; the damage is due to normal wear, damage is due to abuse (including overloading of the tool beyond capacity), improper maintenance, neglect or accident; or the damage is due to the use of the tool after partial failure or use with improper accessories or unauthorized repair or alteration.

This warranty gives you specific legal rights, and you may also have other rights that vary from state to state.

This warranty excludes replacement blades and grass bag.

## REPLACEMENT PARTS LIST

For replacement parts, call our customer service department at **1-888-3KOBALT** (1-888-356-2258), 8 a.m. - 8 p.m., EST, Monday - Friday.



PART	DESCRIPTION	PART #
AA	Grass bag	311011163
BB	Cam lever assembly	31102467-4
CC	Cam lever knob	341101161
DD	Side discharge cover	34103467
EE	Front wheel	341021163
FF	Rear wheel	341011163
GG	Mulching plug	34106463-2
E	Charger	29413
F	Battery 40 V 2ah	31101825
	Battery 40 V 4ah	

Printed in China

Kobalt® is a registered trademark of LF, LLC. All Rights Reserved.

kobalttools.com  **KOBALT**