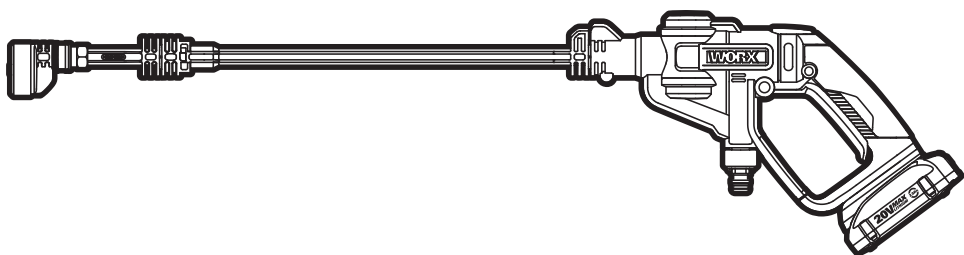


WORX®



HYDROSHOT™

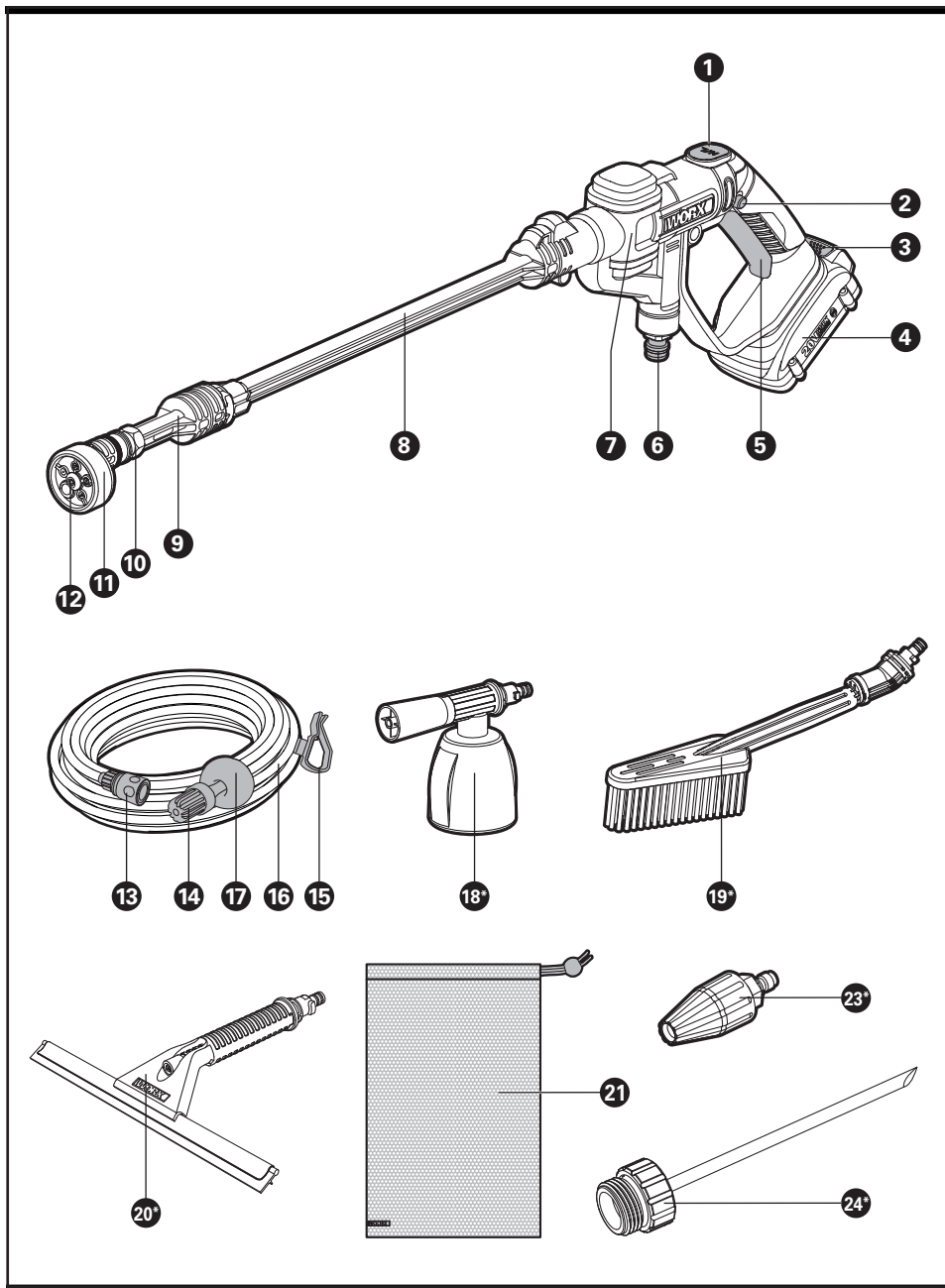
20V Max Lithium Portable Power Cleaner	EN	P10
Nettoyeur haute pression portatif à batterie au Lithium 20V Max	F	P15
Limpiador a presión portátil 20V Max Lithium	ES	P20

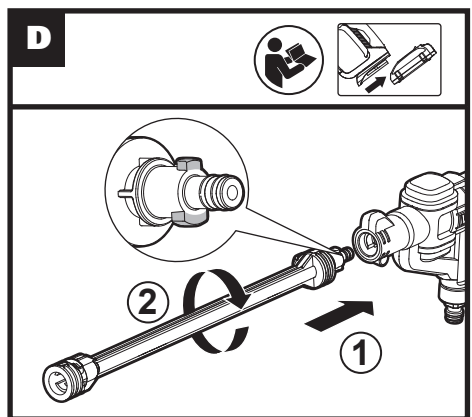
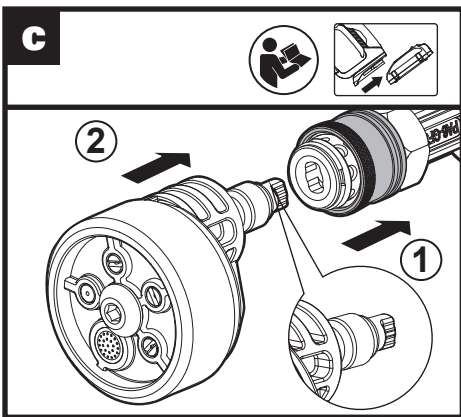
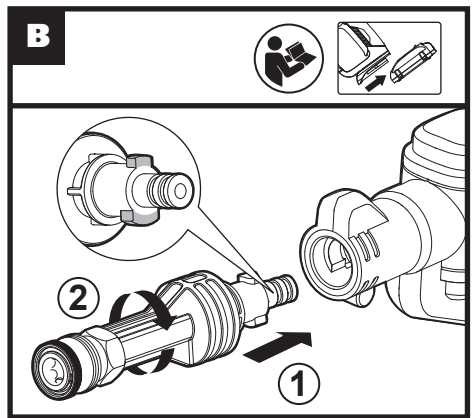
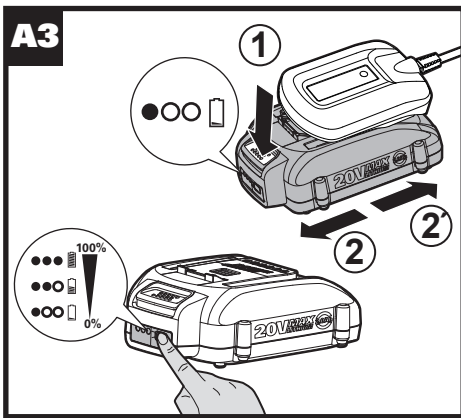
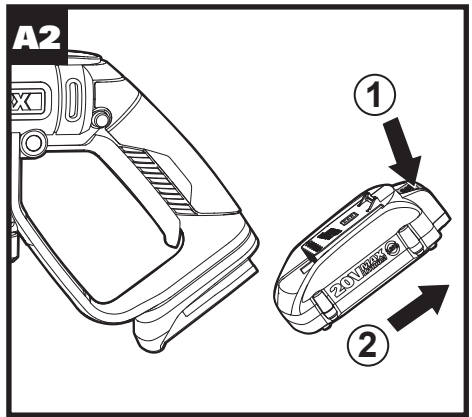
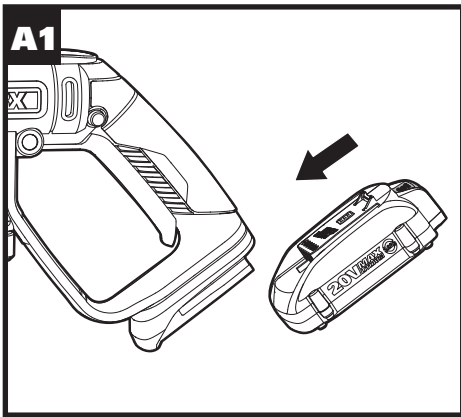


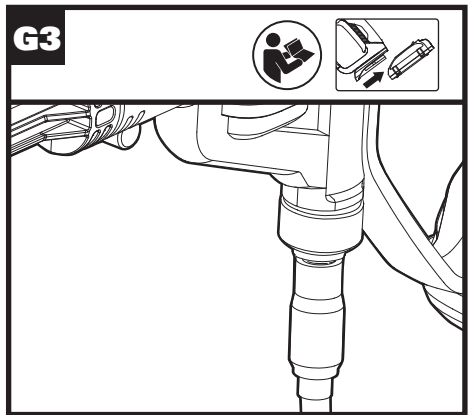
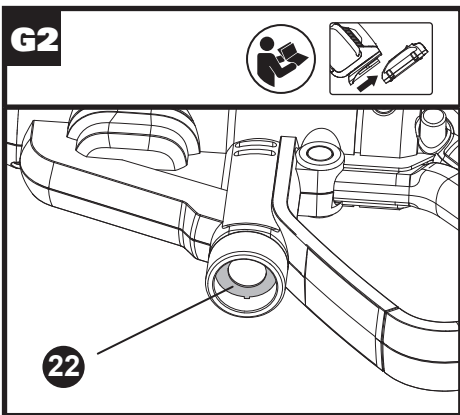
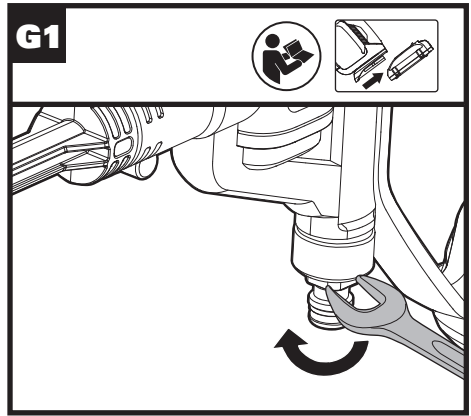
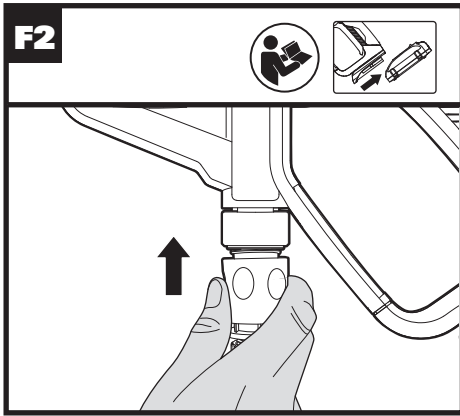
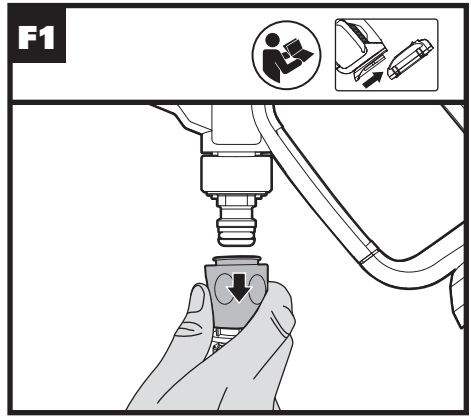
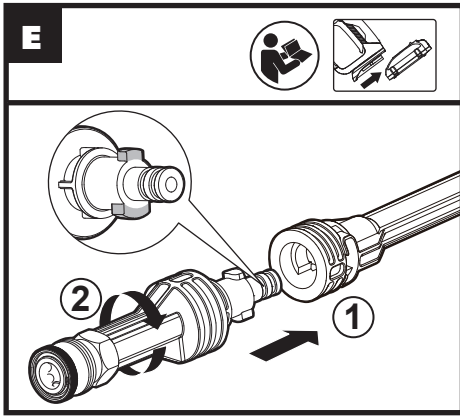
HELPLINE NUMBER
NUMERO DU SERVICE D'ASSISTANCE
NUMERO DE LINEA DE AYUDA
1-866-354-WORX (9679)

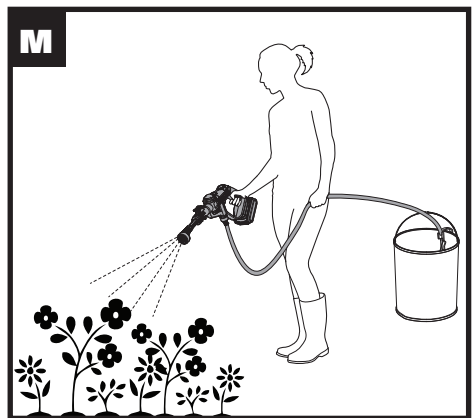
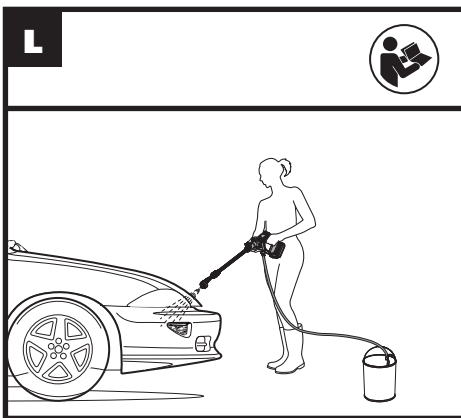
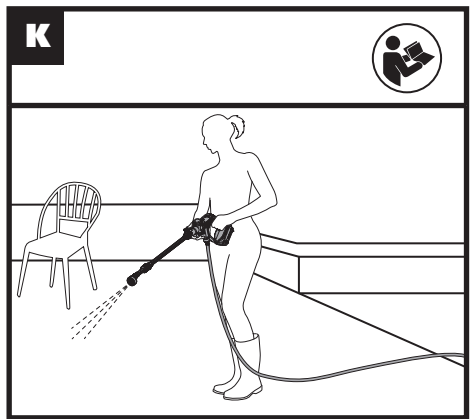
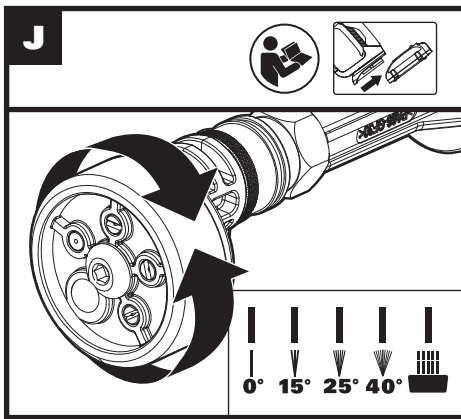
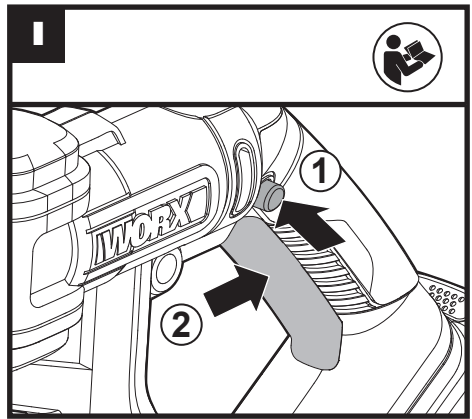
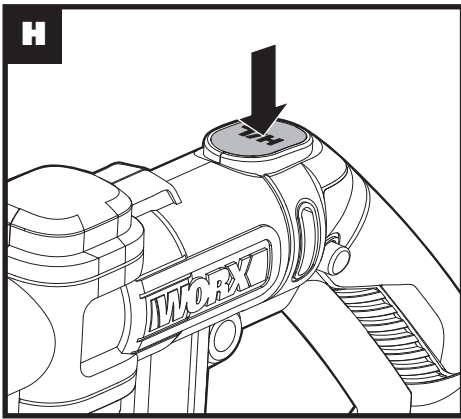
WG629 WG629.1 WG629.2 WG629.9

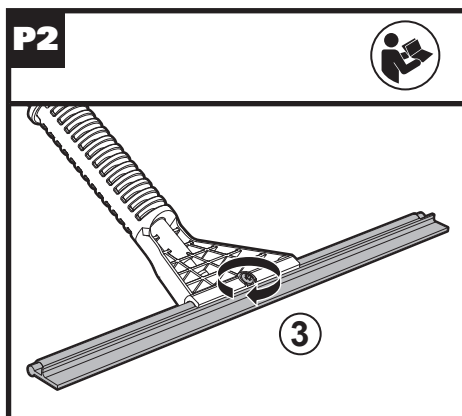
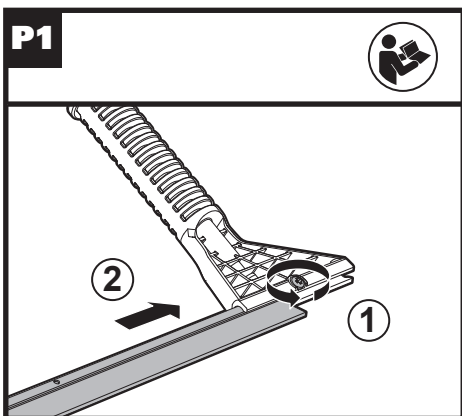
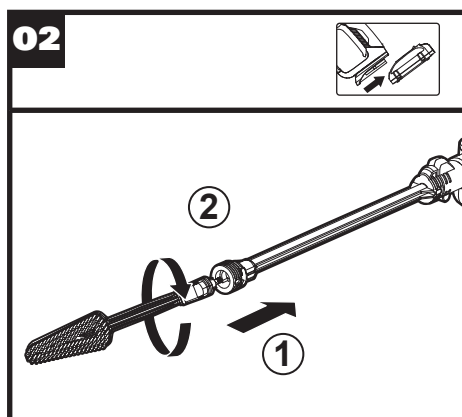
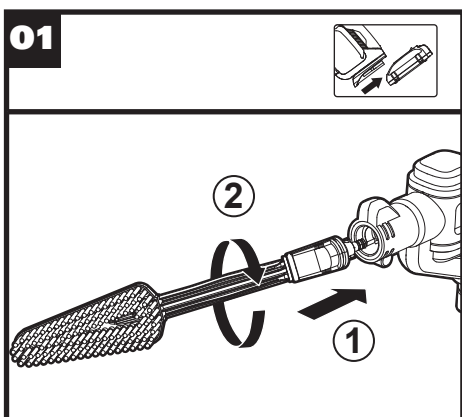
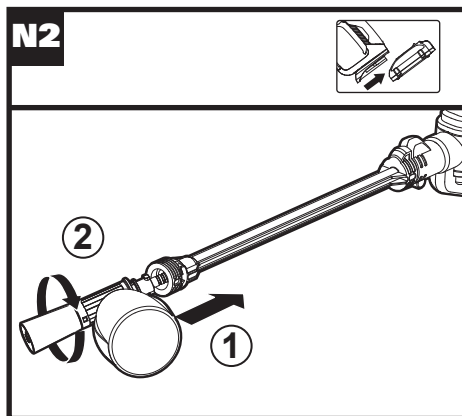
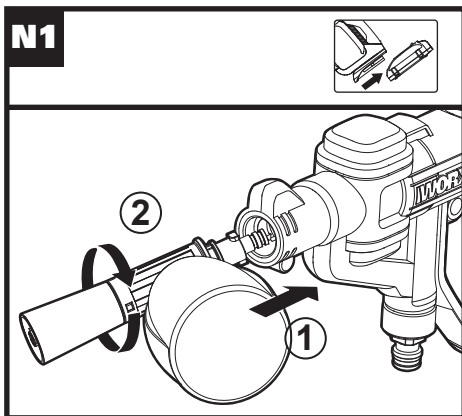


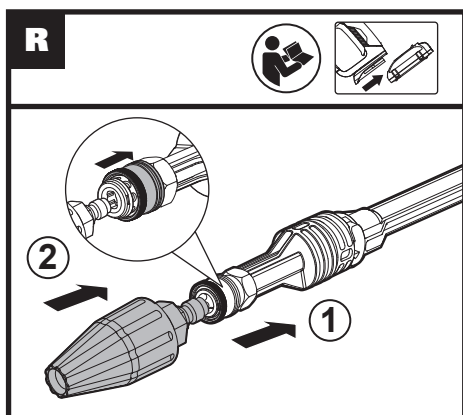
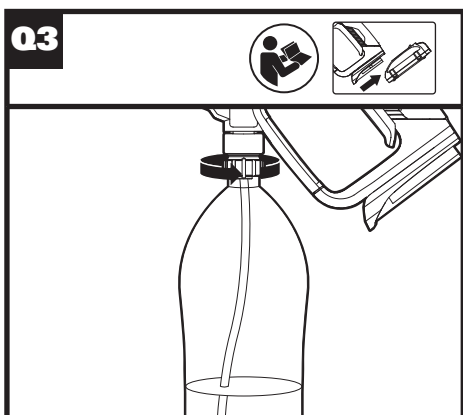
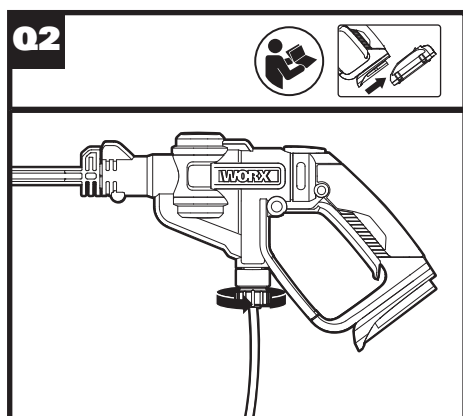
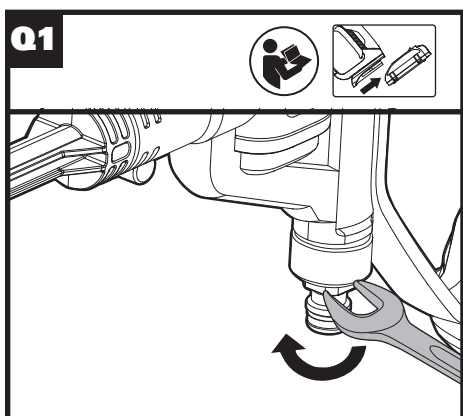
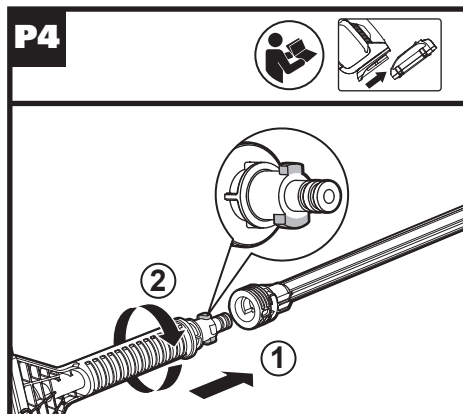
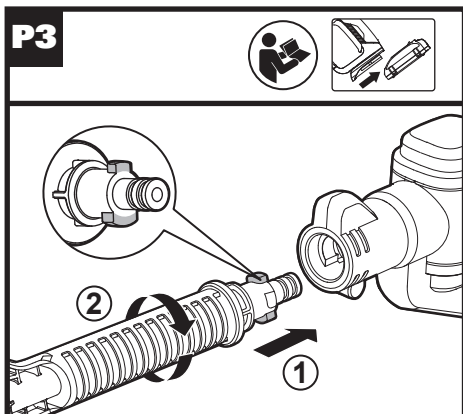




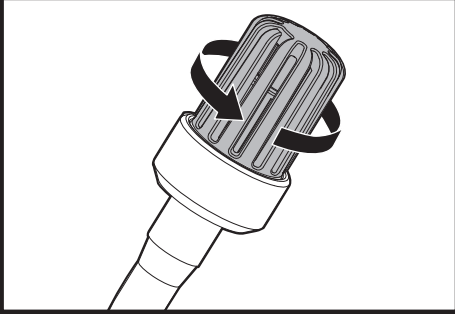




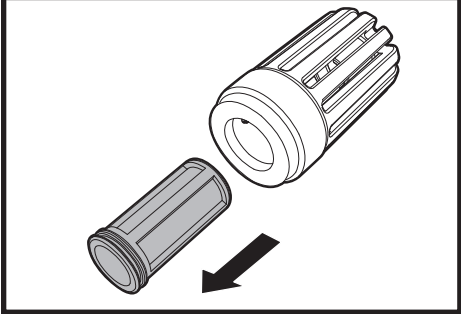




S1



S2



PRODUCT SAFETY



WARNING: Read all safety warnings and all instructions. Failure to follow the warnings and instructions may result in electric shock, fire and/or serious injury.

Save all warnings and instructions for future reference.




WARNING: This product can expose you to chemicals including lead, phthalate or bisphenol A which are known to the State of California to cause cancer, birth defects or other reproductive harm. Wash your hands after use. For more information go to www.P65Warnings.ca.gov.

IMPORTANT SAFETY INSTRUCTIONS



WARNING: When using this product basic precautions should always be followed, including the following:




1. Read all the instructions before using the product.
2. To reduce the risk of injury, close supervision is necessary when a product is used near children.
3. Know how to stop the product and bleed pressures quickly. Be thoroughly familiar with the controls.
4. Stay alert – watch what you are doing.
5. Do not operate the product when fatigued or under the influence of alcohol or drugs.
6. Keep operating area clear of all persons
7. Do not overreach or stand on unstable support. Keep good footing and balance at all times.
8. Follow the maintenance instructions specified in the manual.
9.  **WARNING** – Risk of injection or injury – do not direct discharge stream at persons.
10. Do not spray electrical apparatus and wiring.

SAVE THESE INSTRUCTIONS




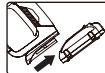

GENERAL SAFETY WARNINGS FOR BATTERY PACK



- 1) **WARNING: Risk of fire and burns. Do not disassemble, heat above 100°C (212°F), or incinerate. Do not expose cells or batteries to heat or fire. Avoid storage in direct sunlight.**
- 2) **Dispose of used battery promptly. When disposing of secondary cells or batteries, keep cells or batteries of different electrochemical systems separate from each other.**
- 3) **Keep battery out of reach of children and in original package until ready to use.**
- 4) **Never put batteries in mouth. If swallowed, contact your physician or local poison control center.**

- 5)  **CAUTION** - The battery used in this device may present a risk of fire or chemical burn if mistreated. Replace battery with WORX only. Use of another battery may present a risk of fire or explosion.
- 6)  **WARNING: Do not use a visibly damaged battery pack or appliance as applicable.**
- 7)  **WARNING: Do not modify or attempt to repair the appliance or the battery pack as applicable.**
- 8) **BATTERY MUST BE RECYCLED.**
- 9) **Do not short-circuit a cell or battery. Do not store cells or batteries haphazardly in a box or drawer where they may short-circuit each other or be short-circuited by conductive materials.**
- 10) **Do not subject cells or batteries to mechanical shock.**
- 11) **Keep cells and batteries clean and dry. Wipe the cell or battery terminals with a clean dry cloth if they become dirty.**
- 12) **Do not maintain secondary cells and batteries on charge when not in use.**
- 13) **Retain the original cell and battery literature for future reference.**
- 14) **Do not use any charger other than that specifically provided for use with the equipment. Secondary cells and batteries need to be charged before use. Always use the correct charger and refer to the manufacturer's instructions or equipment manual for proper charging instructions.**
- 15) **When possible, remove the battery from the equipment when not in use.**
- 16) **Prevent unintentional starting. Ensure the switch is in the off-position before connecting to battery pack, picking up or carrying the appliance. Carrying the appliance with your finger on the switch or energizing appliance that have the switch on invites accidents.**
- 17) **Disconnect the battery pack from the appliance before making any adjustments, changing accessories, or storing appliance. Such preventive safety measures reduce the risk of starting the appliance accidentally.**
- 18) **Under abusive conditions, liquid may be ejected from the battery; avoid contact. If contact accidentally occurs, flush with water. If liquid contacts eyes, additionally seek medical help. Liquid ejected from the battery may cause irritation or burns.**
- 19) **Have servicing performed by a qualified repair person using only identical replacement parts. This will ensure that the safety of the product is maintained.**

SYMBOLS

	To reduce the risk of injury, user must read instruction manual
	Warning
 Li-Ion	Li-Ion battery, battery must be recycled
	Remove battery from the socket before carrying out any adjustment, servicing or maintenance.
	<p>call2recycle®</p> <p>POSITEC Inc. has established a partnership with the RBRC Corporation to recycle any Positec batteries with the RBRC-call2recycle seal. For environmental protection, please do not discard batteries in the trash. After the batteries' life cycle is ended, then please call 1-800-822-8837 for a free service that will properly dispose of the battery.</p>

COMPONENT LIST

1. PRESSURE SETTING SWITCH
2. LOCK-OFF SWITCH
3. BATTERY PACK RELEASE BUTTON
4. BATTERY PACK*
5. ON/OFF SWITCH LEVER
6. HOSE ADAPTER
7. POWER NOZZLE
8. EXTENSION LANCE
9. SHORT LANCE
10. NOZZLE ADAPTER
11. MULTI-SPRAY NOZZLE
12. FIXING NAIL

13. HOSE CONNECTOR
14. HOSE FILTER
15. HOSE CLIP
16. HOSE
17. FLOATER
18. SOAP BOTTLE*
19. BRUSH*
20. WINDOW SQUEEGEE WITH WATER SPRAYER*
21. CARRY BAG
22. FILTER SCREEN (SEE FIG. G2)
23. TURBO NOZZLE*
24. BOTTLE CAP*

* Not all the accessories illustrated or described are included in standard delivery.

TECHNICAL DATA

	WG629	WG629.1	WG629.2	WG629.9
Charger voltage	120V~60Hz		/	
Voltage	20 V \equiv Max**			
Pressure	High/Low (garden hose connected)			
Long wand working mode	max 320psi / 175psi			
Short wand working mode	max 94psi / 72psi			
Max water flow rate	0.5gpm			
Max. inlet water pressure	73psi (0.5MPa)			
Suction height	max 5ft.			
Weight (with lance)	3.7lbs		2.8lbs	


** Voltage measured without workload. Initial battery voltage reaches maximum of 20 volts. Nominal voltage is 18 volts.

ACCESSORIES

	WG629	WG629.1	WG629.2	WG629.9
Hose 20ft.(6m)	1	1	1	1
Short lance	1	1	1	1
Extension lance	1	1	1	1
Multi-Spray nozzle	1	1	1	1
Carry bag	1	1	1	1
Battery pack (WA3575)	1	1	1	/
Charger (WA3742)	1	1	1	/
Window squeegee with water sprayer (WA4050)	/	1	/	/
Brush (WA4048)	/	1	/	/
Soap bottle (WA4036)	/	1	/	/
Bottle cap (WA4038)	/	1	1	/

Only use the appropriate accessories intended for this tool. Accessory information can be found on the product packaging, at a WORX dealer or on our website at www.worx.com.

OPERATING INSTRUCTIONS

 **NOTE:** Before using the tool, read the instruction book carefully.

ASSEMBLY & OPERATION

ACTION	FIGURE
BEFORE OPERATION	
Installing the battery pack	See Fig. A1
Removing the battery pack	See Fig. A2
Charging the battery pack More details can be found in WA3742's manual	See Fig. A3
ASSEMBLY	

NOTE: The power nozzle has two working modes: short lance only and short lance used together with extension lance.

Working mode 1

Attaching short lance to the power nozzle

NOTE: When attaching, align the two projections on the lance with the grooves of the power nozzle as shown in Fig. B.

NOTE: In this working mode, the highest pressure is 94psi. it is suitable for light duty cleaning and watering.

See Fig. B

Attaching the Multi-spray nozzle

NOTE: When attaching, rotating the nozzle left and right to make sure the nozzle fully seated into position and gently pulling it to make sure it is locked into position securely.

See Fig. C

Working mode 2

Attaching extension lance to the power nozzle

Attaching short lance to the extension lance

NOTE: When attaching, align the two projections on the lance with the grooves of the power nozzle as shown in Fig. D, E.

NOTE: In this working mode, the highest pressure is 320psi. it is suitable for removing strong stains.

See Fig. D, E

Attaching the hose to the power nozzle

NOTE: After the hose is attached, check the connection by gently pulling upon the hose. It should not be pulled off.

See Fig. F1, F2

Attaching your own water hose (optional)

1. Remove the hose adapter

2. Attach the home garden hose with suitable connectors

NOTE: Except for the hose supplied, you can also connect the power nozzle to your own water hose with suitable connectors.

NOTE: Check whether the filter screen is missing before retightening the hose adapter. When retightening the quick hose adapter, please tighten securely. Otherwise, it may not draw any water for proper operation.




See Fig. G1, G2, G3

OPERATION

Pressure setting

Your power nozzle has two pressure modes.

See Fig. H

<p>Start NOTE: At the first use, you need to empty the air in hose, place the power nozzle below waist level (<5ft/1.5m), then attach the extension lance and set it at high pressure. Do not start working until the water goes up along the hose and sprays out. This could take up to 30 seconds or more depending on the fresh water source.</p>	See Fig. I
<p>Selecting the nozzle pattern NOTE: Choose a suitable nozzle pattern according to your work. Spray patterns 0°, 15°, 25° and 40° are applicable for cleaning, and the spray pattern with the symbol  is best suitable for watering.  WARNING: Do not shift the nozzle pattern when the tool is powered on.</p>	See Fig. J
<p>Cleaning (Working mode 2)  WARNING: Do not connect the machine to water supplies that are dirty, rusty, muddy, or corrosive. (Including window cleaning liquids, plant foods, or fertilizers etc.) NOTE: Not recommended for use with salt water, immediately rinse with fresh water for proper maintenance.</p>	See Fig. K, L
<p>Watering (Working mode 1)</p>	See Fig. M

ATTACHMENT OF ACCESSORIES

A number of accessories have been supplied with this product and are required for use in different applications. **Do not attempt to use cleaning without a lance or any accessories attached.**

1. Soap bottle (WG629.1 only)

Soap bottle provides detergent suds for deeper cleaning of dirt. It is used in conjunction with power nozzle or extension lance. (See Fig. N1, N2)

2. Brush (WG629.1 only)


Brush is for cleaning cars, boats, motorcycles etc. It is used in conjunction with power nozzle or extension lance. (See Fig. O1, O2)

3. Window squeegee with water sprayer (WG629.1 only)

The window squeegees quick connection easily snaps into the tool to spray water or wipe off water from glass or tiled surfaces. Suitable for the HydroShot power cleaner or the extension lance. (See Fig. P1, P2, P3, P4)

4. Bottle cap (WG629.1 WG629.2)

The bottle cap accessory allows the tool to directly connect with most 2 Liter bottles with approximately 1" openings. (NOTE: May not fit all consumable soda and water bottles) (See Fig. Q1, Q2, Q3)

 **WARNING: Do not install the bottle cap accessory until it is ready to be used. The accessories vents will leak liquid, if a bottle is installed, with the machine lying on a surface.**

5. Turbo nozzle (WA4037, not included in WG629 models)

The turbo nozzle delivers 360° of rotating water, which cleans a larger area than the 0° water pattern during the same time period. Suitable with the extension lance installed on the HydroShot. Recommend to use it with high pressure setting (See Fig. R)

MAINTENANCE

Remove the Battery Pack from the tool before carrying out any adjustment, servicing or maintenance.

Inspect the product for damaged or worn parts before each use. Do not operate it if you find damaged or worn parts. Contact your supplier or the manufacturer for replacement parts.

Hose filter maintenance

Remove the hose filter from the hose and get out the strainer. Rinse the parts with clean water before reassembling. (See Fig. S1, S2)

CLEANING/STORAGE

Before Storage, completely drain all the water from the machine and hose.

Clean the moulded plastic housing of the machine using a soft brush and clean cloth. Do not use water, solvents or polishes. Store in a secure and dry place out of the reach of children. Do not place other objects on the product.

Store the machine and the accessories in a frost free place.

TROUBLESHOOTING

Symptom	Possible causes	Solution
Machine turns on but it does not draw any water or there is not sufficient pressure.	Power nozzle is too high from the water source surface.	Lower the machine below 5ft/1.5m.
	Hose filter is blocked.	Take out the hose filter and rinse the parts with clean water. (See Fig. S1, S2)
	The users garden hose is not well connected to the machine.	Check and reattach the garden hose tightly. (See Fig. G3)
	Hose adapter looses. The filter screen is missing. (See Fig. G2)	Tighten the hose adapter securely with a spanner. Contact WORX service agent to get a filter screen.
	Pump, hose, or other parts are frozen due to outside temperatures.	Wait for the pump, hose or other parts to thaw.
	Hose kinks.	Straighten out the hose.
Multi-spray nozzle leaks.	The nozzle pattern does not spray correctly.	Make sure the nozzle pattern symbol aligns with the indicator mark on tool.
	Fixing nail of the multi-spray nozzle loosens.	Tighten it with a hex key.
Outlet pressure increases suddenly.	Multi-spray nozzle is blocked.	Replace with a new multi-spray nozzle.
14 Machine drains out water after stopping.	There is water remaining in the lance and pump after stopping.	Drain all the water completely before storage.
Soap accessory cannot spray out any detergent.	Blockage in the soap bottle.	Clean it with fresh water.
Machine does not start.	The battery pack is not attached well.	Reinstall the battery pack.
	Battery pack is empty.	Replace with a new battery pack or recharge the battery pack.
	Defective battery.	Replace with a new battery pack.
Machine pressure is not consistent.	Additional air could be sucked into the machine.	Check connection between the hose adapter and the hose.
	It is at low pressure setting.	No action need.
Machine stops automatically.	Battery pack is empty.	Replace with a new battery pack or recharge the battery pack.
	The multi-spray nozzle is blocked. The current protection is activated.	Remove the multi-spray nozzle and turn on the machine. If the machine works normally, replace with a new multi-spray nozzle.

1. INTERRUPTEUR DE RÉGLAGE DE PRESSION
2. BOUTON DE VERROUILLAGE
3. CRAN DE DÉGAGEMENT DU BLOC-PILES
4. BLOC-PILES *
5. LEVIER INTERRUPTEUR MARCHE/ARRÊT
6. ADAPTATEUR TUYAU
7. BUSE DE PRESSION
8. LANCE D'EXTENSION
9. LANCE COURTE
10. ADAPTATEUR DE BUSE
11. BUSE MULTI TYPES DE PULVÉRISATION
12. CLOU DE FIXATION
13. CONNECTEUR DE TUYAU
14. FILTER DU TUYAU
15. CLIP DE FIXATION DU TUYAU
16. TUYAU
17. FLOTTEUR
18. BOUTEILLE DE SAVON*
19. BROSSE*
20. RACLETTE *
21. SAC DE TRANSPORT *
22. CRÉPINE DE FILTRATION (Voir Fig. G2)

* Les accessoires illustrés ou décrits ne sont pas tous compris dans le cadre de la livraison standard.

DONNÉES TECHNIQUES

	WG629	WG629.1	WG629.9
Tension du chargeur	120V~60Hz		/
Tension	20 V --- Maxi**		
Pression	Haute/Faible(raccordement au tuyau d'arrosage)		
Mode de fonctionnement lance longue	maxi 22bar(320psi) / 12bar(175psi)		
Mode de fonctionnement lance courte	maxi 6bar(94psi) / 5bar(72 psi)		

Débit d'eau maximal	120L/h(0.5gpm)	
Pression maximum d'arrivée d'eau	0.5MPa(73psi)	
Hauteur d'aspiration	maxi 1.5m(5 ft.)	
Poids (avec lance)	1.7kg(3.7 lbs)	1.3kg(2.8lbs)

** Tension mesurée hors fonctionnement. La tension initiale de la batterie atteint le maximum de 20 volts. La tension nominale est de 18V.

ACCESSOIRES

	WG629	WG629.1	WG629.9
Tuyau 20ft. (6m)	1	1	1
Lance courte	1	1	1
Lance longue	1	1	1
Buse multi types de pulvérisation	1	1	1
Sac de transport	1	1	1
Bloc-piles (WA3575)	1	1	/
chargeur (WA3742)	1	1	/
Raclette (WA4049)	/	1	/
Brosse (WA4048)	/	1	/
Bouteille de savon (WA4036)	/	1	/

N'utilisez que les accessoires compatibles à cet outil. Les informations des accessoires peuvent être trouvées sur l'emballage du produit, chez un détaillant WORX ou sur notre site Web www.worx.com.

CONSIGNES DE SÉCURITÉ



AVERTISSEMENT! Lisez et assimilez toutes les instructions. Le non-respect des instructions ci-après peut entraîner un

risque de choc électrique, d'incendie et/ou de blessures graves.

Conservez tous les avertissements et instructions pour pouvoir les consulter ultérieurement.




AVERTISSEMENT: Ce produit peut contenir du plomb, des phtalates ou d'autres agents chimiques connus dans l'État de Californie pour causer le cancer, des malformations congénitales et d'autres problèmes liés à la reproduction. Se laver les mains après utilisation.

Nettoyeur haute pression portatif à batterie au Lithium 20V Max.

CONSIGNES DE SÉCURITÉ IMPORTANTES




AVERTISSEMENT – En utilisant ce produit, toujours observer une certaine prudence élémentaire, incluant notamment:

1. Lire toutes les instructions de service avant d'utiliser l'appareil.
2. Afin de minimiser les risques de blessure, ne jamais laisser l'appareil sans surveillance lorsque celui-ci est utilisé à proximité d'enfants.
3. Il est impératif de savoir arrêter et mettre l'appareil hors pression rapidement. Une connaissance approfondie des commandes est nécessaire.
4. Rester attentif – se concentrer sur la tâche en cours.
5. L'utilisateur ne doit jamais faire usage de l'appareil lorsqu'il est fatigué ou sous l'emprise d'alcool ou de drogues.
6. Veiller à ce qu'aucun individu ne se trouve dans la zone de travail.
7. Ne jamais passer ou monter sur des supports instables. Toujours rester stable et équilibré.
8. Respecter les consignes d'entretien figurant dans le manuel.
9.  **AVERTISSEMENT** - Risque de projection ou de blessure - Ne pas diriger le jet de vapeur en direction d'individus.
10. Ne pas asperger des appareils ou câblages électriques.



CONSERVEZ CE MODE D'EMPLOI

CONSIGNES GÉNÉRALES DE SÉCURITÉ CONCERNANT LA BATTERIE



- 1) **AVERTISSEMENT: Risque d'incendie et de brûlures. Ne démontez pas, ne chauffez pas à une température supérieure à 100°C (212°F) et n'incinerez pas l'appareil. N'exposez pas les piles cellulaires ou la batterie à la chaleur ou au feu. Evitez de ranger la batterie dans un endroit exposé à la lumière directe du soleil.**
- 2) **Jetez rapidement les piles usagées. Lors de l'élimination des piles cellulaires ou des batteries, gardez les piles ou les batteries de types électrochimiques différents séparés les uns des autres.**
- 3) **Gardez les piles hors de portée des enfants et dans leur emballage d'origine jusqu'au moment de vous en servir.**
- 4) **N mettez jamais les piles dans la bouche. En cas d'ingestion, consultez avec votre médecin ou un centre antipoison.**
- 5)  **ATTENTION** – La batterie utilisée dans cet appareil peut présenter un risque d'incendie ou de brûlure chimique si elle n'est pas utilisée avec soin.

Remplacez la batterie usée uniquement avec une batterie WORX. L'utilisation de toute autre batterie peut engendrer un risque d'incendie ou d'explosion.

- 6)  **AVERTISSEMENT: N'utilisez pas la batterie ou l'appareil s'il est visiblement endommagé.**
- 7)  **AVERTISSEMENT: Ne modifiez pas et n'essayez pas de réparer l'appareil ou la batterie vous-même.**
- 8) **LA BATTERIE DOIT ÊTRE RECYCLÉE;**
- 9) **Les bornes de contact d'une pile cellulaire ou d'une batterie ne doivent pas être mises en court-circuit. Ne placez pas en vrac les piles ou les batteries dans une boîte ou un tiroir où leurs bornes pourraient être mises en court-circuit par un matériau conducteur.**
- 10) **N'exposez pas la pile cellulaire ou la batterie à des chocs mécaniques.**
- 11) **Gardez les piles cellulaires et les batteries propres et sèches. Essayez les bornes de la pile cellulaire ou de la batterie avec un chiffon propre et sec si elles sont sales.**
- 12) **Ne laissez pas la pile cellulaire ou la batterie en charge lorsqu'elles ne sont pas utilisées.**
- 13) **Conservez les instructions originales accompagnant la pile cellulaire ou la batterie pour toute future référence.**
- 14) **N'utilisez pas un chargeur autre que celui spécifiquement conçu pour être utilisé avec l'équipement. Accumulateurs besoin d'être rechargée avant l'utilisation. Les piles cellulaires et les batteries doivent toujours être chargées avant l'utilisation. Utilisez toujours le chargeur adapté et reportez-vous aux instructions du fabricant ou au manuel de l'équipement pour suivre les instructions concernant la procédure de charge.**
- 15) **Si possible, enlevez la batterie de l'équipement lorsqu'il n'est pas utilisé.**
- 16) **Pour éviter le démarrage non intentionnel, s'assurer que le bouton de démarrage est en position d'arrêt avant de brancher l'appareil au chargeur ou de le prendre ou de le transporter. Un accident pourrait arriver si vous vous promenez avec l'appareil avec le doigt sur l'interrupteur ou sur le dispositif de charge dont l'interrupteur est en position de charge.**
- 17) **Débranchez le bloc de batterie de l'appareil avant de faire des réglages, de remplacer des accessoires ou de ranger l'appareil. De telles mesures de sécurité réduisent les risques de démarrer l'appareil accidentellement.**
- 18) **Dans des conditions d'utilisation abusive, du liquide pourrait s'éjecter de la batterie; évitez tout contact. Si vous entrez accidentellement en contact avec le liquide, passez la partie du corps touchée**

Nettoyeur haute pression portatif à batterie au Lithium 20V Max.

F


sous le robinet. Si vos yeux entrent en contact avec le liquide, vous devez consulter immédiatement un médecin. Le liquide expulsé de la batterie peut causer des irritations ou des brûlures.

19) Faites faire le service par un technicien de réparation compétent qui ne doit utiliser que des pièces de rechange identiques. Ceci maintiendra la sécurité du produit.

SYMBOLES

	Afin de réduire les risques de blessure, l'utilisateur doit lire ce mode d'emploi.
	Avertissement
 Li-Ion	Batterie Li-Ion. Les batteries doivent être recyclées en collecte sélective.
	Retirer le bloc-piles de l'outil avant d'effectuer tout ajustement, entretien ou maintenance.
	call2recycle POSITEC Inc. a formé un partenariat avec RBRC Corporation pour le recyclage des batteries Positec portant le sceau RBRC-call2recycle. Pour la protection de l'environnement, veuillez à ne pas jeter les batteries aux poubelles. À la fin du cycle de vie de la batterie, appelez 1-800-822-8837 pour un service gratuit qui mettra la batterie au rebut selon les règles de l'art.

INSTRUCTIONS D'UTILISATION

 **REMARQUE:** Avant d'utiliser cet outil, assurez-vous de lire attentivement le manuel d'utilisation.

ASSEMBLAGE & FONCTIONNEMENT

ACTION	SCHEMA
AVANT LE FONCTIONNEMENT	

Installation du bloc de batterie	Voir Fig. A1
Retrait du bloc de batterie	Voir Fig. A2
Recharge de la batterie Pour plus d'informations, se référer au manuel WA3742	Voir Fig. A3

ASSEMBLAGE

REMARQUE: La buse de pression propose de deux modes de fonctionnement : la lance courte uniquement et lance courte utilisée conjointement à l'extension de lance.

Mode de fonctionnement 1

Fixation de lance courte à la buse de pression

REMARQUE: lorsque vous fixez l'extension, veillez à aligner les deux saillies situées sur la lance avec les rainures de la buse de pression, comme illustré sur la Fig. B.

REMARQUE: dans ce mode de fonctionnement, la pression maximale atteinte est de 94 psi. Cette puissance est adaptée pour des opérations de nettoyage léger et l'arrosage.

Fixation de la buse multi types de pulvérisation

REMARQUE : lorsque vous fixez la buse, effectuez une rotation de la gauche à droite pour vous assurer que la buse soit correctement positionnée et tirez doucement dessus pour vous assurer qu'elle soit correctement verrouillée en place.

Mode de fonctionnement 2

Fixation de l'extension de lance à la buse de pression

Fixation de la lance courte à l'extension de lance

REMARQUE: lorsque vous fixez l'extension, veillez à aligner les deux saillies situées sur la lance avec les rainures de la buse de pression, comme illustré sur la Fig. D, E.

REMARQUE: dans ce mode de fonctionnement, la pression maximale atteinte est de 320 psi. Cette puissance est adaptée au nettoyage de tâches tenaces.

Fixation du tuyau à la buse de pression

REMARQUE: Après avoir fixé le tuyau, vérifiez la connexion en tirant doucement sur le tuyau. Celui-ci ne doit pas être se détacher.

Voir Fig. B

Voir Fig. C

Voir Fig. D, E

Voir Fig. F1, F2

Fixation de votre propre tuyau d'eau (option)

1. Retirez l'adaptateur du tuyau
2. Connectez votre propre tuyau d'arrosage en utilisant des connecteurs appropriés

REMARQUE: À l'exception du tuyau fourni, vous pouvez également connecter la buse de pression à votre propre tuyau d'eau en utilisant des connecteurs appropriés.

REMARQUE: Vérifiez si la crépine de filtration est présente avant de resserrer l'adaptateur de tuyau. Lorsque vous resserez le raccord d'arrosage rapide, serrez-le fermement. Autrement, il est possible que l'eau ne sorte pas.

Voir Fig. G1, G2, G3


FUNCTIONNEMENT

Réglage de la pression
Votre buse de pression propose deux modes de pression.

Voir Fig. H

Première utilisation
REMARQUE: Lors de la première utilisation, vous devez vider l'air présente dans le tuyau, placer la buse de pression plus bas que votre taille (< 5ft / 1,5 m), puis fixer l'extension de lance et régler l'appareil sur haute pression. Assurez-vous de ne pas commencer à travailler tant que le tuyau ne soit complètement rempli et que l'eau commence à être pulvérisée. Cette opération peut prendre jusqu'à 30 secondes ou plus en fonction de la source d'eau douce.

Voir Fig. I

Selection du type de pulvérisation
REMARQUE: Sélectionnez un style de pulvérisation approprié au travail à réaliser.
Les styles de pulvérisation 0°, 15°, 25° and 40° sont adaptés aux opérations de nettoyage. Le style de pulvérisation portant le symbole  correspond au mode le plus adapté pour l'arrosage.
AVERTISSEMENT: Ne modifiez pas le style de pulvérisation pendant que l'appareil est sous tension.

Voir Fig. J

Nettoyage (Mode e fonctionnement 2)
AVERTISSEMENT: Ne connectez pas l'appareil à une alimentation dont l'eau est turbide, boueuse ou corrosive.
REMARQUE: Utilisation non recommandée avec de l'eau salée, rincer immédiatement avec de l'eau douce pour un entretien correct.

Voir Fig. K, L

Arrosage (Mode de fonctionnement 1)

Voir Fig. M

FIXATION DES ACCESSOIRES

Un certain nombre d'accessoires ont été fournis avec ce produit et sont nécessaires pour diverses utilisations.

N'essayez pas d'utiliser l'appareil pour des opérations de nettoyage sans y avoir préalablement fixé une lance ou un quelconque autre accessoire.

1. Bouteille de savon (pour WG629.1 seulement)

La bouteille de savon génère une mousse de détergent pour un nettoyage en profondeur de la saleté. Celle-ci est utilisée conjointement à la buse de pression ou l'extension de lance. (Voir Fig. N1, N2)

2. Brosse (pour WG629.1 seulement)

La brosse est utilisée pour le nettoyage des voitures, des bateaux, des motos, etc. Celle-ci est utilisée conjointement à la buse de pression ou l'extension de lance. (Voir Fig. O1, O2)

3. Raclette (pour WG629.1 seulement)

Après avoir nettoyé la surface de verre avec la buse de pression, la raclette est ensuite utilisée pour fournir une surface propre et sans traces. (Voir Fig. P)

ENTRETIEN

Retirer le bloc-piles de l'outil avant d'effectuer tout ajustement, entretien ou maintenance.

Inspectez l'appareil pour détecter d'éventuelles pièces endommagées ou usées avant chaque utilisation. Assurez-vous de ne pas utiliser l'appareil des pièces endommagées ou usées ont été trouvées. Contactez votre fournisseur ou le fabricant pour commander des pièces de rechange.

Entretien du filtre du tuyau

Retirez le filtre du tuyau et sortez la crépine. Rincez les pièces à l'eau propre avant de les assembler à nouveau. (Voir Fig. Q1, Q2)

NETTOYAGE/ ENTREPOSAGE

Avant de stocker l'appareil, assurez-vous de totalement vider toute l'eau présente dans la machine et dans le tuyau.

Nettoyez le boîtier en plastique moulé de la machine à l'aide d'une brosse douce et d'un chiffon propre. Assurez vous de ne pas utiliser d'eau, des solvants ou des vernis. Entrez la machine dans un endroit sec - hors de la portée des enfants. Ne placez pas d'autres objets sur la machine.

Stockez la machine et ses accessoires dans un endroit à l'abri du gel.

Nettoyeur haute pression portatif à batterie au Lithium 20V Max.

F


DÉPANNAGE

Problème	Causes possibles	Mesures
La machine s'allume, mais elle n'aspire pas d'eau ou la pression est insuffisante.	La buse est trop haute par rapport à la surface de la source d'eau.	Placez la machine à une hauteur inférieure à 5 pi / 1,5 m.
	Le filtre du tuyau est bouché.	Retirez le filtre du tuyau et rincez les pièces avec de l'eau propre. (Voir Fig. Q1, Q2)
	tuyau d'arrosage de l'utilisateur n'est pas bien raccordé à la machine.	Vérifiez et resserrez le raccord du tuyau d'arrosage. (Voir Fig. G3)
	L'adaptateur du tuyau est desserré. La crépine de filtration n'est pas présente. (Voir Fig. G2)	Serrez fermement l'adaptateur de tuyau à l'aide d'une clé. Contactez un agent d'entretien WORX pour obtenir une nouvelle crépine de filtration.
	La pompe, le tuyau ou d'autres pièces sont gelés à cause de la température extérieure.	Attendez que la pompe, le tuyau ou les autres pièces soient dégelés.
	Le tuyau est plié.	Redressez le tuyau.
La buse multi-pulvérisation fuit.	L'embout de la buse ne pulvérise pas correctement.	Assurez-vous que le symbole de la forme de buse soit aligné avec le repère sur l'outil.
	Le clou de fixation de la buse multi-pulvérisation se desserre.	Serrez-le avec une clé hexagonale.
La pression de sortie augmente brusquement.	La buse multi-pulvérisation est bouchée.	Remplacez la buse par une nouvelle buse multi-pulvérisation.
De l'eau s'écoule de la machine après qu'elle soit arrêtée.	Il reste de l'eau dans la lance et dans la pompe après l'arrêt de la machine.	Vidangez complètement l'eau avant de d'entreposer la machine.
L'accessoire de savonnage ne vaporise aucun détergent.	Obstruction dans le réservoir à savon.	Nettoyez-le avec de l'eau propre.
La machine ne démarre pas.	La batterie n'est pas correctement fixée.	Réinstallez la batterie.
	La batterie est vide.	Remplacez-la par une nouvelle batterie ou rechargez la batterie.
	Batterie défectueuse.	Remplacer la batterie.
Le niveau de pression de la machine n'est pas constant.	De l'air supplémentaire pourrait être aspirée dans la machine.	Vérifiez le raccord entre l'adaptateur du tuyau et le tuyau.
	Le réglage de la machine est sur basse pression.	Aucune action requise.
La machine s'arrête automatiquement.	La batterie est vide.	Remplacez-la par une nouvelle batterie ou rechargez la batterie.
	La buse multi-pulvérisation est bouchée. Le système de protection électrique a été activé.	Retirez la buse multi-pulvérisation et allumez la machine. Si la machine fonctionne normalement, remplacez la buse par une nouvelle buse multi-pulvérisation.

1. INTERRUPTOR DE AJUSTE DE PRESIÓN
2. INTERRUPTOR DE DESTRABADO
3. LENGÜETAS DE LIBERACIÓN DE LAS BATERÍAS
4. PAQUETE DE BATERÍAS *
5. PALANCA DE INTERRUPTOR DE ENCENDIDO/APAGADO
6. ADAPTADOR DE MANGUERA
7. BOQUILLA DE PRESIÓN
8. LANZA DE EXTENSIÓN
9. LANZA CORTA
10. ADAPTADOR DE BOQUILLA
11. BOQUILLA DE ROCÍO MÚLTIPLE
12. CLAVO DE FIJACIÓN
13. CONECTOR DE MANGUERA
14. FILTRO DE MANGUERA
15. SUJETADOR DE MANGUERA
20 16. MANGUERA
17. FLOTADOR
18. BOTELLA DE JABÓN *
19. CEPILLO*
20. LIMPIADOR*
21. BOLSA DE TRANSPORTE *
22. PANTALLA DE FILTRO (Vea la Fig. G2)

* No todos los accesorios ilustrados o descritos se incluyen junto con el producto estándar.

DATOS TÉCNICOS

	WG629	WG629.1	WG629.9
Tensión de cargador	120V~60Hz		/
Tensión	20 V  Máx.**		
Presión	Alta / Baja (manguera de jardín conectada)		
Modo de operación de varilla larga	Máx. 320psi(22bar) / 175 psi(12 bar)		
Modo de operación de varilla corta	Máx. 94psi(6bar) / 72psi(5bar)		

Velocidad máxima de flujo de agua	0.5gpm(120L/h)	
Presión máxima de agua de entrada	73psi(0.5MPa)	
Altura de succión	máx. 5ft. (1.5m)	
Peso (con lanza)	3.7 lbs(1.7kg)	2.8 lbs(1.3kg)

** Voltaje medido sin carga de trabajo. El voltaje inicial de la batería alcanza un máximo de 20 V. El voltaje nominal es 18 V.

ACCESORIOS

	WG629	WG629.1	WG629.9
Manguera 20 pies (6m)	1	1	1
Lanza corta	1	1	1
Lanza de extensión	1	1	1
Boquilla de rocío múltiple	1	1	1
Bolsa de transporte	1	1	1
Paquete De Baterías (WA3575)	1	1	/
Cargador (WA3742)	1	1	/
Limpiador (WA4049)	/	1	/
Cepillo (WA4048)	/	1	/
Botella de jabón (WA4036)	/	1	/

Sólo utilice los accesorios apropiados diseñados para esta herramienta. Puede encontrar información sobre los accesorios en el embalaje del producto, consultando a un distribuidor de WORX o en nuestro sitio Web: www.worx.com.

SEGURIDAD DEL PRODUCTO



¡ADVERTENCIA! Lea y comprenda todas las instrucciones. El no seguir todas las

instrucciones a continuación puede ocasionar descargas eléctricas, incendios y/o heridas graves.

Conservar todas las advertencias e instrucciones para consulta futura.



ADVERTENCIA: Este producto podría contener plomo, fltato y otros químicos identificados por el Estado de California como causantes de cáncer,

Limpiador a presión portátil 20V Max Lithium ES

defectos congénitos y otras lesiones reproductivas. Lave sus manos después de cada uso.

INSTRUCCIONES IMPORTANTES DE SEGURIDAD



ADVERTENCIA – Al utilizar este producto, tome siempre las precauciones básicas, incluidas las siguientes:

1. Lea todas las instrucciones antes de usar el producto.
2. Para reducir el riesgo de lesiones, es preciso vigilar atentamente si se usa el producto cerca de niños.
3. Es necesario saber cómo parar rápidamente el producto y parar hemorragias. Estar familiarizado con los mandos.
4. Estar atento, prestar atención a lo que se está haciendo.
5. No ponga en funcionamiento el producto si está cansado o está bajo la influencia de alcohol o drogas.
6. Mantenga la zona de trabajo libre de personas.
7. No sobrecargar o colocar sobre un soporte inestable. Mantener el equilibrio en todo momento.
8. Seguir las instrucciones de mantenimiento especificadas en el manual.
9. **ADVERTENCIA** - Riesgo de inyección o lesiones – no dirigir el chorro directamente sobre personas.
10. No rocíe el aparato y cableado eléctrico.

CONSERVE ESTAS INSTRUCCIONES.

ADVERTENCIAS DE SEGURIDAD GENERAL PARA EL PAQUETE DE BATERÍA

- 1) **ADVERTENCIA: Riesgo de incendio y quemaduras. No desarmar, calentar por encima de los 100° C (212° F), ni incinerar. No exponga las celdas o baterías al calor o fuego. Evite guardar a la luz directa del sol.**
- 2) **Deseche las baterías usadas de inmediato. Cuando deseche las celdas o baterías secundarias, mantenga las celdas o baterías de sistemas electroquímicos diferentes separadas entre sí.**
- 3) **Mantenga las baterías fuera del alcance de los niños y en el paquete original hasta que estén listas para usar.**
- 4) **Nunca se lleve las baterías a la boca. Si se tragan, contacte a su médico o al centro de control de envenenamiento local.**
- 5) **PRECAUCIÓN** - La batería usada en este dispositivo puede presentar riesgo de incendio o quemadura química si

se manipula en forma incorrecta.

Reemplace la batería con (WORX)

solamente. El uso de otra batería puede

presentar riesgo de incendio o explosión

- 6) **ADVERTENCIA: no use un paquete de batería o dispositivo visiblemente dañado según corresponda.**
- 7) **ADVERTENCIA: no modifique ni intente reparar el dispositivo o batería según corresponda.**
- 8) **LA BATERÍA DEBE RECICLARSE**
- 9) **Evite cortocircuitos de celda o batería. No guarde las celdas o baterías en forma peligrosa en una caja o cajón donde puedan hacer cortocircuito entre sí o con materiales conductivos.**
- 10) **No someta las celdas o baterías a descargas mecánicas.**
- 11) **Mantenga las celdas y baterías limpias y secas. Limpie las terminales de batería o celda con un paño seco y limpio si se ensucian.**
- 12) **No mantenga en carga las celdas y baterías secundarias cuando no estén en uso.**
- 13) **Conserve la información de la batería y celda originales para referencia futura.**
- 14) **No use cargadores que no sean los específicamente suministrados para uso con el equipo. Las celdas y baterías secundarias se deben cargar antes del uso. Siempre use el cargador correcto y consulte las instrucciones del fabricante o el manual del equipo para saber las instrucciones correctas de carga.**
- 15) **Cuando sea posible quite la batería del equipo cuando no esté en uso.**
- 16) **Evite el encendido inadvertido. Asegúrese que el interruptor esté en la posición de apagado antes de conectar el paquete de batería, al levantar o transportar el aparato. Transportar el aparato con su dedo sobre el interruptor o energizar el aparato que tenga el interruptor encendido provoca accidentes.**
- 17) **Desconecte el paquete de batería del aparato antes de realizar cualquier ajuste, cambiar los accesorios, o guardar el aparato. Tales medidas preventivas de seguridad reducen el riesgo de encender el aparato por accidente.**
- 18) **Bajo condiciones de abuso, puede expulsarse líquido de la batería; evite el contacto. Si ocurre contacto accidentalmente, lave con agua. Si el líquido entra en contacto con los ojos, busque ayuda médica adicional. El líquido expulsado de la batería puede causar irritación o quemaduras.**
- 19) **Pida que una persona de reparación calificada dé servicio usando únicamente partes de reemplazo idénticas. Esto garantizará que se mantenga la seguridad del producto.**

SÍMBOLOS

	Para reducir el riesgo de lesiones, el usuario deberá leer el manual de instrucciones.
	Advertencia
 Li-Ion	Batería de iones de litio. La batería deberá reciclarse.
	Retire el Paquete de la batería de la herramienta antes de realizar cualquier ajuste, servicio o mantenimiento.
	<p>call2recycle®</p> <p>POSITEC Inc. ha establecido una asociación con la empresa RBRC para el reciclaje de todas las baterías Positec que posean el sello RBRC-call2recycle. Para contribuir con la protección del medio ambiente, no deseche las baterías como residuos normales. Después de que haya finalizado el ciclo de vida útil de la batería, comuníquese al 1.800-822-8837 para acceder al servicio gratuito que realizará el desecho correcto de la batería.</p>

NOTA: La boquilla de presión tiene dos modos de operación, lanza corta únicamente y lanza corta usada junto con lanza de extensión.

Modo de operación 1
Conexión de lanza corta a la boquilla de presión
NOTA: Cuando la conecte, alinee las dos proyecciones sobre la lanza con las ranuras de la boquilla de presión como se muestra en la Fig. B.
NOTA: En este modo de operación, la presión máxima es 94psi. Es adecuado para limpieza y riego de servicio ligero.

Vea la Fig. B

Conexión de boquilla de rocío múltiple
NOTA: Cuando conecte, gire le boquilla a la izquierda y la derecha para asegurar que la boquilla esté completamente asentada en posición y jale suavemente para asegurar que esté bloqueada en su posición firmemente.

Vea la Fig. C

Modo de operación 2
Conexión de lanza de extensión a la boquilla de presión
Conexión de lanza corta a lanza de extensión
NOTA: Cuando la conecte, alinee las dos proyecciones sobre la lanza con las ranuras de la boquilla de presión como se muestra en la Fig. D, E.
NOTA: En este modo de operación, la presión máxima es 320psi. Es adecuado para retirar manchas fuertes.

Vea la Fig. D, E

Conexión de la manguera a la boquilla de presión
NOTA: Después que se conecte la manguera, revise la conexión jalando suavemente sobre la manguera. No se debe desconectar.

Vea la Fig. F1, F2

Conexión de su propia manguera de agua (opcional)
1. Retire el adaptador de la manguera
2. Conecte la manguera para jardín con los conectores adecuados
NOTA: Excepto para la manguera suministrada, también puede conectar la boquilla de presión a su propia manguera de agua con conectores adecuados.
NOTA: Revise si falta la pantalla de filtro antes de volver a apretar el adaptador de manguera. Cuando vuelva a apretar el adaptador rápido de manguera, por favor apriételo firmemente. De otra manera, puede no succionar agua para una operación adecuada.




Vea la Fig. G1, G2, G3

INSTRUCCIONES DE USO

 **NOTA:** Antes de usar la herramienta, lea atentamente el manual de instrucciones.

ENSAMBLE & FUNCIONAMIENTO

ACCIÓN	FIGURA
ANTES DE LA OPERACIÓN	
Instalación de paquete de batería	Vea la Fig. A1
Extracción de paquete de batería	Vea la Fig. A2
Cargando la Batería Se pueden encontrar más detalles en el manual del WA3742	Vea la Fig. A3
ENSAMBLE	

OPERACIÓN	
Ajuste de presión Su boquilla de presión tiene dos modos de presión.	Vea la Fig. H
Inicio NOTA: Durante el primer uso, necesita vaciar el aire de la manguera, colocar la boquilla de presión debajo del nivel de la cintura (<5pies/1.5m), y después conectar la lanza de extensión y ajustarla en alta presión. No comience a trabajar hasta que el agua suba a lo largo de la manguera y rocíe hacia afuera. Esto podría tomar hasta 30 segundos o más dependiendo de la fuente de agua fresca.	See Fig. I
Selección de patrón de boquilla NOTA: Elija un patrón de boquilla adecuado de acuerdo con su trabajo. Patrones de rocío de 0°, 15°, 25° y 40° son aplicables para limpieza y el patrón de rocío con el símbolo  es el más adecuado para riego.  ADVERTENCIA: No cambie el patrón de boquilla cuando la herramienta esté encendida.	Vea la Fig. J
Limpieza (Modo de operación 2)  ADVERTENCIA: No conecte la máquina a un suministro de agua que sea turbio, lodoso o corrosivo. NOTA: No se recomienda para uso con agua salada, enjuague de inmediato con agua fresca para el mantenimiento apropiado.	Vea la Fig. K, L
Riego (Modo de operación 1)	Vea la Fig. M

3. Limpiador (sólo para WG629.1)

Después de limpiar la superficie con la boquilla de presión, el limpiador se usa para proporcionar un paso de limpieza de superficie de vidrio. (Vea la Fig. P)

MANTENIMIENTO

Retire el Paquete de la batería de la herramienta antes de realizar cualquier ajuste, servicio o mantenimiento.

Revise el producto respecto a partes dañadas o desgastadas antes de cada uso. No lo opere si encuentra partes dañadas o desgastadas. Póngase en contacto con su proveedor o fabricante respecto a partes de reemplazo.

Mantenimiento de filtro de manguera

Retire el filtro de manguera de ésta y retire el colador. Enjuague las partes con agua limpia antes de volver a ensamblar. (Vea la Fig. Q1, Q2)

LIMPIEZA/ALMACENAMIENTO

Antes de almacenar, drene completamente toda el agua de la máquina y la manguera.

Limpie el alojamiento de plástico moldeado de la máquina con un cepillo suave y tela limpia. No use agua, solventes o pulidores. Guarde la máquina en un lugar seco - fuera del alcance de los niños. No coloque objetos encima de la máquina.

Guarde la máquina y los accesorios en un lugar libre de escarcha.

CONEXIÓN DE ACCESORIOS

Varios accesorios se suministraron con este producto y se requieren para uso en diferentes aplicaciones. **No intente usar la limpieza sin una lanza o ningún accesorio conectado.**

1. Botella de jabón (sólo para WG629.1)

La botella de jabón proporciona espuma detergente para limpieza más profunda de suciedad. Se usa junto con la boquilla de presión o la lanza de extensión. (Vea la Fig. N1, N2)

2. Cepillo (sólo para WG629.1)

El cepillo es para limpieza de automóviles, botes, motocicletas, etc. Se usa junto con la boquilla de presión o la lanza de extensión. (Vea la Fig. O1, O2)

SOLUCIÓN DE PROBLEMAS

Problemas	Posibles causas	Acción
La máquina se apaga, pero no succiona agua o no hay suficiente presión.	La boquilla de presión está demasiado arriba de la superficie de la fuente de agua.	Baje la máquina a menos de 5pies/1.5m.
	El filtro de la manguera está bloqueado.	Retire el filtro de manguera y enjuague las partes con agua limpia. (Vea la Fig. Q1, Q2)
	La manguera de jardín del usuario no está bien conectada a la máquina.	Revise y vuelva a conectar la manguera de jardín firmemente. (Vea la Fig. G3)
	Se afloja el adaptador de la manguera. Falta la pantalla del filtro. (Vea la Fig. G2)	Apriete el adaptador de manguera firmemente con una llave. Póngase en contacto con el agente de servicio WORX para obtener una pantalla de filtro.
	La bomba, manguera, u otras partes están congeladas debido a las temperaturas externas.	Espere que la bomba, la manguera u otras partes se descongelen.
	Torcedura de manguera.	Enderece la manguera.
Fugas de boquilla de rocío múltiple.	El patrón de la boquilla no rocía correctamente.	Asegúrese que el símbolo del patrón de la boquilla se alinee con la marca del indicador en la herramienta.
	El clavo de fijación de la boquilla de rocío múltiple se afloja.	Apriétela con una llave hexagonal.
La presión de salida se incrementa repentinamente.	La boquilla de rocío múltiple está bloqueada.	Reemplace con una boquilla de rocío múltiple nueva.
La máquina drena el agua después de detenerse.	Hay agua restante en la lanza y la bomba después de detenerse.	Drene toda el agua completamente antes de almacenar.
El accesorio de jabón no puede rociar el detergente.	Bloqueo en la botella de jabón.	Límpiala con agua limpia.
La máquina no arranca.	El paquete de batería no está bien conectado.	Vuelva a instalar el paquete de batería.
	El paquete de batería está vacío.	Reemplace con un paquete de batería nuevo o recargue el paquete de batería.
	Batería defectuosa.	Reemplace la batería.
La presión de la máquina no es consistente.	Se podría succionar aire adicional dentro de la máquina.	Revise la conexión entre el adaptador de la manguera y la manguera.
	Está en un ajuste de baja presión.	No se necesita ninguna acción.
La máquina se detiene automáticamente.	El paquete de la batería está vacío.	Reemplace con un paquete de batería nuevo o recargue el paquete de batería.
	La boquilla de rocío múltiple está bloqueada. Se activa la protección de corriente.	Retire la boquilla de rocío múltiple y encienda la máquina. Si la máquina funciona normalmente, reemplace con una boquilla de rocío múltiple nueva.

CAUTION/ATTENTION/PRECAUCIÓN



LITHIUM ION BATTERY
BATTERIE AU LITHIUM-ION
BATERÍA DE ION DE LITIO



Do Not Load or Transport Package if Damaged
Il est interdit de charger ou de transporter le paquet s'il est endommagé
No cargue o transporte el paquete si está dañado

For more information, call / Pour plus d'informations, appelez-le / Para mayor información, llame al
Within USA and Canada / Aux États-Unis et au Canada / Dentro de EUA y
Canada: 1-800-424-9300

Outside USA and Canada / Hors des États-Unis et du Canada / Fuera de
EUA y Canadá: +1-703-741-5970

Non Emergency / Hors urgence / No Emergencia: 855-694-2388

WORX
it's your nature

www.worx.com

Copyright © 2017, Positec. All Rights Reserved.

Copyright © 2017, Positec. Tous droits réservés.

© Derechos reservados 2017, Positec. Todos los derechos reservados.

AR01276503