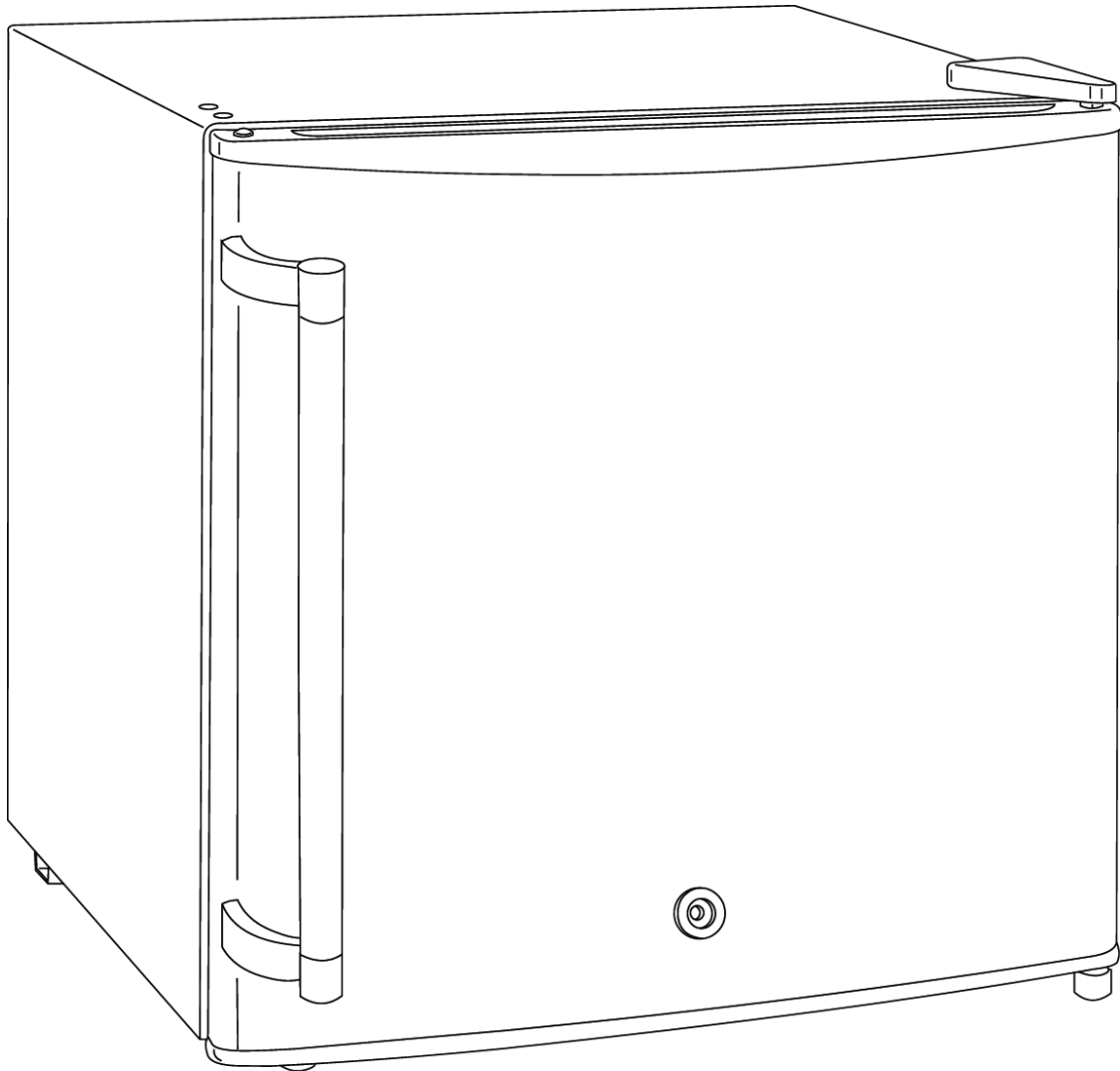


EDGESTAR[®]

Compact Freezer



CMF151L-1

Owner's Manual

For more information on other great EdgeStar products on the web, go to <https://www.edgestar.com>

Important Safety Information

Improper handling can cause serious damage to the EdgeStar freezer or injury to the user. This freezer is designed for domestic indoor use only. **Do not use the unit for industrial or commercial use.** Any other use may invalidate the warranty. Please review the ratings label located on the rear panel of the unit for electrical and other technical data related to this unit. The unit must be used in a properly grounded wall outlet.

Please read and follow the safety information listed below to reduce the risk of fire, electric shock, or injury.



Electrical Safety

- Do not exceed the power outlet ratings.
- It is recommended the freezer be connected on its own circuit.
- The unit must be installed in accordance with state and local electrical codes.
- A standard electrical supply (115 V, 60 Hz), that is properly grounded in accordance with the National Electrical Code and local codes and ordinances is required.
- Use outlets that cannot be turned off by a switch or pull chain.
- Always turn the unit off and unplug it from the outlet when cleaning.
- Unplug the unit if it is not going to be used for an extended period of time.
- Do not operate the unit with a power plug missing the ground plug, a damaged cord, or a loose socket.
- Be sure the freezer is properly grounded.
- Never plug or unplug the unit with wet hands.
- Do not bypass, cut, or remove the grounding plug.
- Do not use extension cords or power strips with this unit. You may need to contact your electrician if it is necessary to use a longer cord or if you do not have a grounded outlet. Do not modify the power cord's length or share the outlet with other appliances.
- Do not start or stop the unit by switching the circuit's power on and off.
- If the power cord is damaged, it must be replaced by the manufacturer or a qualified technician.
- Never repair the unit while it is plugged in.
- Immediately unplug the unit if it makes strange sounds, emits smells, or smoke comes out of it, and contact customer service.
- Do not remove any part of the casing unless you are instructed to do so by an authorized technician.
- You should never attempt to repair the unit yourself.
- Contact customer service for service options if the unit needs service.



General Safety

- To prevent back and other types of injuries, use at least two people to move and install the freezer.
- This appliance is not intended for use by persons, including children, with reduced physical, sensory or mental capabilities, unless they have been given supervision or instruction concerning the use of the appliance by the person(s) responsible for their safety.
- Install the freezer in a well-ventilated area where the ambient temperature is above 50° F and below 90°F.
- Do not place hot or warm items into the freezer before they cool down to room temperature.
- This unit is designed to be installed indoors, and protected from rain, sleet, snow, and / or moisture.
- This unit is not intended to be used by children.
- Children should be supervised to ensure that they do not play with this product.
- Never allow children to crawl inside the freezer. If you are disposing of the unit, remove the door.
- Do not use this cooler near flammable gas or combustibles, such as gasoline, benzene, thinner, etc.
- Do not place the unit near heat sources such as ovens, grills, or direct sunlight.
- Only use in an upright position on a flat, level surface and provide proper ventilation.
- Do not pinch or kink the power supply line between the unit and cabinet.
- Do not leave any cleaning solutions in the unit.
- Do not use solvent-based cleaning agents or abrasive solutions to clean the unit as they may damage the interior and exterior.
- Do not place any other appliances on top of the unit.
- Do not turn the unit upside down, on its side, or at an angle off level.
- If your model of freezer is equipped with a lock, take care to keep the keys away from children.
- Do not move the unit without emptying the contents and securing the door in a closed position.



Caution: Flammable Refrigerant Used! When handling, moving, and using the freezer, make sure to avoid either damaging the refrigerant tubing, or increasing the risk of a leak.



Note: This owner's manual is provided for reference use only. Specifications may change without prior notice. Refer to the product label on the back of your freezer for the latest technical information.

Table of Contents

- IMPORTANT SAFETY INFORMATION 1**
- TABLE OF CONTENTS 3**
- FIRST TIME OPERATING INSTRUCTIONS 4*
- INTRODUCTION..... 4**
- PARTS IDENTIFICATION 5**
- FRONT VIEW 5*
- INSTALLING THE COMPACT FREEZER 5**
- OPERATION 6**
- TEMPERATURE CONTROL..... 6*
- STORING FROZEN FOOD..... 6*
- FREEZING FRESH FOOD..... 6*
- DEFROSTING..... 6*
- CLEANING AND MAINTENANCE 6**
- TROUBLESHOOTING..... 7**
- THE FREEZER IS NOT WORKING 7*
- THE FREEZER IS NOISY WHEN RUNNING..... 7*
- THE FREEZER DOES NOT COOL SUFFICIENTLY 7*
- NORMAL ATTRIBUTES..... 7**
- PREPARING THE FREEZER FOR STORAGE 7**
- ENERGY SAVING GUIDE..... 7**
- SPECIFICATIONS 8**
- EDGE STAR LIMITED WARRANTY..... 9**

First Time Operating Instructions

Before use, make sure all packaging labels and materials are removed from the unit. Be sure to keep track of all included parts and pieces before discarding the packaging materials. It is advised that you keep the original box and packaging materials in case you ever need to move or ship the appliance in the future.

Let the unit stand for at least **24 hours** before you use it; this allows the cooling components time to settle from transit. The instruction manual should be read before use.

Introduction

Thank you for purchasing this EdgeStar compact freezer. We hope that this purchase will be the beginning of a lasting and rewarding relationship between you and EdgeStar. We will provide the customer support and exemplary products necessary to nurture that relationship. This manual contains important information regarding the proper installation, use, and maintenance of your compact freezer. Following this manual will ensure that your product will work at its peak performance and efficiency.

Please save the original product packaging in case you need to safely transport your compact freezer.

For Your Records:

Please write down the model number and serial number below for future reference.

Both numbers are located on the ratings label on the back of your unit and are needed to obtain warranty service. You may also want to staple your receipt to this manual as it is the proof of your purchase, and is also needed for service under your warranty.

Model Number: _____

Serial Number: _____

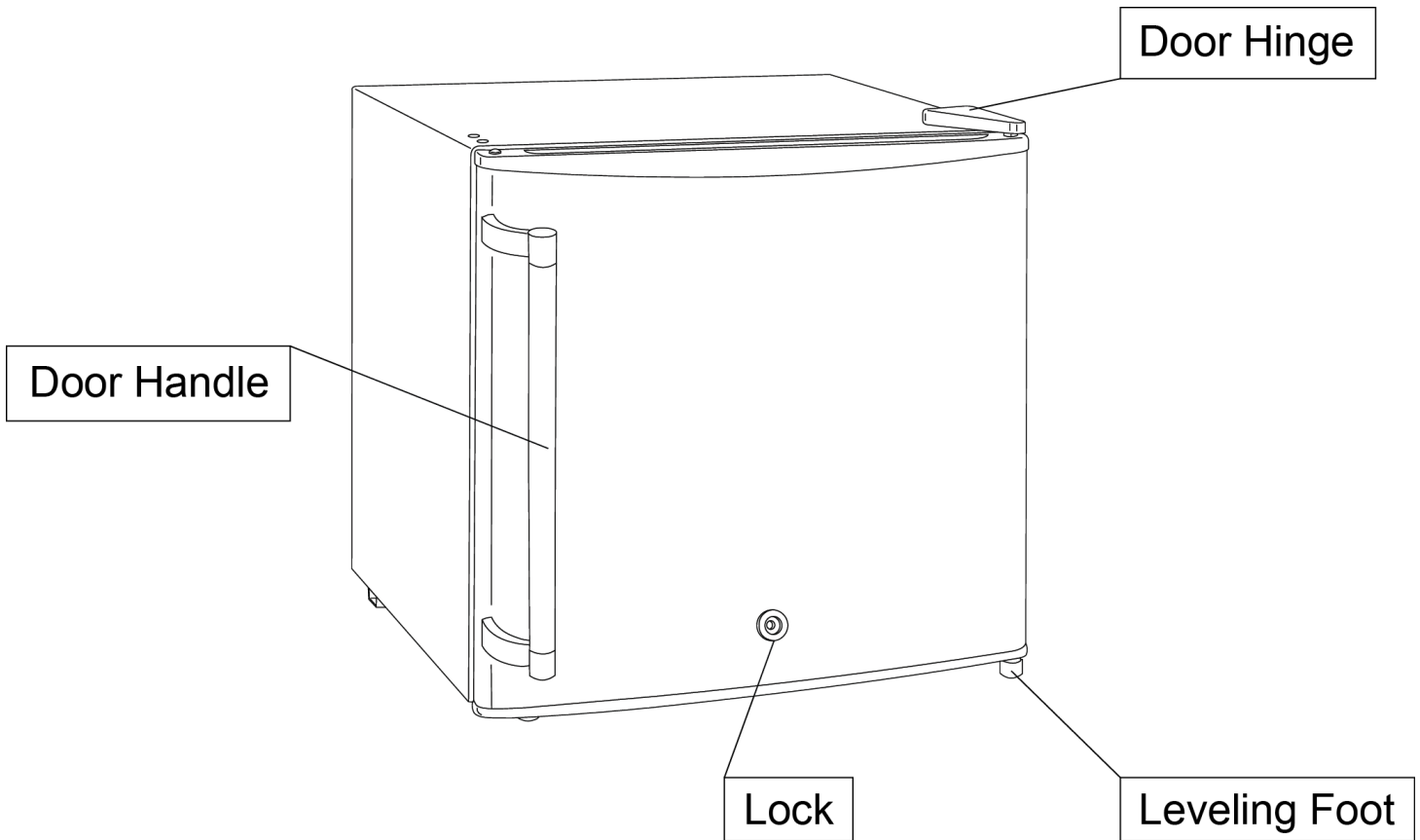
Date of Purchase: _____

For a more efficient experience, please do the following before contacting customer service:

- If you received a damaged product, immediately contact the retailer or dealer that sold you the product.
- Read and follow this instruction manual carefully to help you install, use, and maintain your compact freezer.
- Read the troubleshooting section of this manual as it will help you diagnose and solve common issues.
- Visit us on the web at <https://www.edgestar.com> to register your product, download product guides, and access additional troubleshooting resources and up-to-date information.
- If you need warranty service, our friendly customer service representatives are available via email at **service@edgestar.com**.

Parts Identification

Front View



Installing the Compact Freezer

Place the appliance in a location with a firm base. In order to prevent vibration and noise, the freezer must be leveled by adjusting the front foot. Choose a well-ventilated location with no less than five (5) inches of clearance around the freezer in all directions. Locate the freezer away from direct sunlight and heat sources such as an oven or boiler.



Warning: This appliance must be grounded. Do not use an adapter to circumvent the ground prong.

Operation

Before plugging in your freezer for the first time remove all packaging materials and clean the freezer with lukewarm water and baking soda. Wipe the unit dry with a soft cloth.

Temperature Control

The temperature in the freezer is controlled by the thermostat control knob inside the freezer. Turn the thermostat control knob up or down to regulate the temperature inside the freezer. The markings on the control knob indicate the “MIN, MAX, and OFF” positions for the different temperature grades. The temperature decreases from high to low, with the MIN position being the warmest and the MAX position being the coldest.

Storing Frozen Food

When using the freezer for the first time or after defrosting, turn the temperature control to the MAX setting for at least two hours before introducing the food to be stored. All frozen food products you purchase should be placed in the freezer as soon as possible to prevent the frozen food from defrosting. You should always follow any storage recommendation printed on the packaging of frozen food.

Freezing Fresh Food

Ensure that your freezing operations are carried out under the most hygienic conditions as freezing alone does not sterilize the food. It is advisable to freeze large amounts of food by packing it into separate meal portions and not in bulk form. Never put hot or even warm food into the freezer. Prior to storing frozen food, pack it in plastic bags, aluminum sheets, or freezing containers and then put it in the freezer. Never freeze more than the maximum permissible amount of food.

Defrosting

Remove the power plug from the wall socket, open the door, and remove all of the freezer’s contents to a cool place. Defrost the unit using a plastic scraper, or let the temperature rise naturally until the frost melts. Then wipe away the remaining ice and water. When you are finished defrosting the unit, plug the freezer back into the power supply.

Cleaning and Maintenance

Before you start to clean your freezer remove the power plug from the electrical outlet. Clean the unit with a cloth soaked in a solution of lukewarm water and baking soda. Dry the freezer with a soft cloth.

Troubleshooting

Before calling for service please check for the following possible causes.

The freezer is not working

- Check that the plug is inserted correctly into the wall socket.
- Check whether there is power to the wall socket by plugging in another appliance.

The freezer is noisy when running

- Check that the freezer is level and is not in contact with another appliance or piece of furniture.

The freezer does not cool sufficiently

- If the door is opened too often, or if it is left open for a long time, it will take longer for the freezer to reach its set temperature.
- Make sure that the airflow to the rear of the freezer hasn't been reduced due to insufficient clearance.

Normal Attributes

The following characteristics are part of normal operation and should not be viewed as malfunctions.

- A gentle trickling sound caused by coolant flowing into the pipe.
- The compressor operating at a high temperature.

Preparing the Freezer for Storage

If the freezer will not be used for a long period of time, proceed as follows:

- Disconnect the freezer from the power supply by removing the plug from the wall socket.
- Clean and dry the inside of the unit as instructed in the "Cleaning and Maintenance" section.
- Leave the door open to prevent any unpleasant smells from building up while the freezer is not in use.

Energy Saving Guide

- Do not open the door too often, especially when the weather is wet and hot. Once you open the door, close it as soon as possible.
- Every now and then check if the appliance is sufficiently ventilated. Make sure there is adequate air circulation behind the appliance.
- For household refrigerating appliances, in normal temperature conditions, leave the thermostat at the middle setting.
- Before loading the appliance with fresh food, make sure the food is cooled to the ambient room temperature.
- The ice and frost layer increases energy consumption. Be sure to clean the appliance once this layer reaches a thickness of $\frac{1}{8}$ ".

Specifications



Note: Technical data and performance information are provided for reference only. Specifications are subject to change. Check the rating label on the freezer for the most accurate information.

Description of product	Upright Freezer
Model	CMF151L-1
Voltage / Frequency	AC 115V ~ 60Hz
Amperage	1.1 A
Color	White Cabinet and Door
Storage Capacity	1.1 Cu. Ft.
Refrigerant	R600a, 0.92 oz.
Temperature Range	-11.°F to 5°F
Dimensions (Height x Width x Depth)	19 5/16" x 18 11/16" x 17 1/8"
Net Weight	33 lbs.

EdgeStar Limited Warranty

One (1) Year Parts & Ninety (90) Days Labor

This product is warranted by EdgeStar to be free from defective workmanship and materials, subject to any conditions set forth as follows:

WHAT IS COVERED:

LABOR: For a period of NINETY (90) DAYS from the date of original purchase, labor will be performed free of charge at an authorized EdgeStar repair facility. At its option, EdgeStar will repair the product with new or remanufactured parts, or exchange the defective product with a new, refurbished, or remanufactured product. If a product is replaced, it will carry the remaining warranty of the original product. After the ninety (90) day period, EdgeStar will no longer be responsible for labor charges incurred. All defective products and parts covered by this warranty will be repaired or replaced on a mail-in basis to an EdgeStar authorized repair facility.

PARTS: For a period of ONE (1) YEAR from the date of original purchase, EdgeStar will supply new, rebuilt, or refurbished parts free of charge. EdgeStar may request a defective part be returned in exchange for the replacement part. All replacement parts or products will be new, remanufactured, or refurbished. All products and parts replaced by EdgeStar under warranty service become the property of EdgeStar.

This warranty applies to the original purchaser only, and only covers defects in workmanship experienced during operation of the product under normal service, maintenance, and usage conditions. This warranty applies to the purchase and use of this product in residential settings within the contiguous United States of America.

WHAT IS NOT COVERED:

The following limitations apply to the coverage of this warranty. This warranty does not cover:

- Labor charges for installation, setup or training to use the product.
- Shipping damage, and any damage caused by improper packaging for shipment to an authorized service center, and any damaged caused by improper voltage or any other misuse, including abnormal service, handling, or usage.
- Cosmetic damage such as scratches and dents.
- Normal wear and tear on parts or replacement of parts designed to be replaced, e.g. filters, cartridges, batteries.
- Service trips to deliver, pick-up, or repair, install the product, or to instruct in proper usage of the product.
- Damages or operating problems resulting from misuse, abuse, operation outside environmental specifications, uses contrary to instructions provided in the owner's manual, accidents, acts of God, vermin, fire, flood, improper installation, unauthorized service, maintenance negligence, unauthorized installation or modification, or rental or commercial use.
- Labor, service transportation, and shipping charges incurred 91 days or more after the date of original purchase.
- The use of EdgeStar products in commercial or rental settings.
- Optional accessories, attachments, and appearance items.
- Products that have been modified to perform outside of specifications without the prior written permission of EdgeStar.
- Products lost in shipment, or theft.
- Products sold AS IS or from an unauthorized reseller.
- Products that have had their serial numbers removed or defaced. Products with serial numbers that have been invalidated.
- Damage to personal property from use of product.
- Replacement of repair of household fuses, circuit breakers, wiring, or plumbing.

OBTAINING WARRANTY SERVICE:

If you believe your product is defective, contact EdgeStar Customer Support for troubleshooting assistance and warranty service at www.edgestar.com or 1-866-319-5473. Before contacting EdgeStar, have your serial number and proof of purchase available. Once an EdgeStar authorized representative has confirmed that your product is defective and eligible for warranty service, the product must be returned to an EdgeStar repair facility. The purchaser is solely responsible for prepaying all shipping related costs to and from the repair facility. EdgeStar is not responsible for damage resulting from shipper mishandling or improper packaging. Do not return a defective product to the place of purchase. Products received without a return authorization number will be refused.

THIS WARRANTY IS IN LIEU OF ANY OTHER WARRANTY, EXPRESSED OR IMPLIED, INCLUDING WITHOUT LIMITATION, ANY WARRANTY OF MERCHANTABILITY OR FITNESS FOR A PARTICULAR PURPOSE. TO THE EXTENT ANY IMPLIED WARRANTY IS REQUIRED BY LAW, IT IS LIMITED IN DURATION TO THE EXPRESS WARRANTY PERIOD ABOVE. NEITHER THE MANUFACTURER NOR ITS DISTRIBUTORS SHALL BE LIABLE FOR ANY INCIDENTAL, CONSEQUENTIAL, INDIRECT, SPECIAL, OR PUNITIVE DAMAGES OF ANY NATURE, INCLUDING WITHOUT LIMITATION, LOST REVENUES OR PROFITS, OR ANY OTHER DAMAGE WHETHER BASED IN CONTRACT, TORT, OR OTHERWISE. IN NO EVENT AND UNDER NO CIRCUMSTANCE OF ANY TYPE OR KIND SHALL THE SELLER, MANUFACTURER AND/OR DISTRIBUTOR BE LIABLE FOR ANY REASON, UNDER ANY THEORY, FOR MORE THAN THE BASIC COST OF THE PRODUCT TO THE PURCHASER OR END USER. SOME STATES DO NOT ALLOW THE EXCLUSION OF INCIDENTAL OR CONSEQUENTIAL DAMAGES, SO THE ABOVE EXCLUSION MAY NOT APPLY TO YOU. THIS WARRANTY GIVES YOU SPECIFIC LEGAL RIGHTS. YOU MAY HAVE OTHER RIGHTS THAT VARY FROM STATE TO STATE.