



**2-IN-1  
FORCED AIR DRYER + VACUUM  
OWNER'S MANUAL**

XPOWER MANUFACTURE, INC.  
220 Clary Avenue  
San Gabriel, CA 91776, USA  
Tel: 626-285-3301 Fax: 626-285-3302  
www.xpower.ws



Nozzles  
included



MODEL: B-3J/B-5J/B-5W (115V/60Hz)

PLEASE READ AND SAVE THESE INSTRUCTIONS

## Introduction

XPOWER model numbers B-3J / B-5J / B-5W are ETL / C-ETL Certified Professional 2-in-1 Forced Air Dryers + Vacuums with the finest engineering design. XPOWER Forced Air Dryers + Vacuums help air wash and dry inside walls, carpets, drapes, floors and furnishings.

### Special Features:

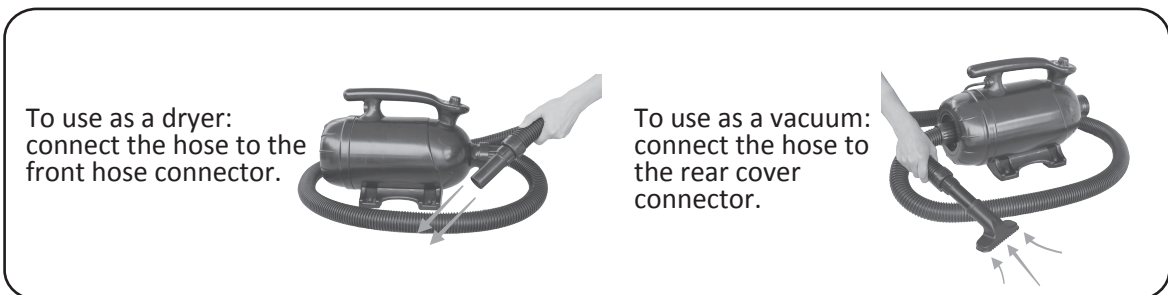
- Extra low noise level.
- 2-in-1 function: Forced Air Dryer and Vacuum.
- Powerful motor from 2 HP to 4 HP.
- Optimal Integration of motor and housing design.
- High impact and rugged ABS housing material.
- Easy-to-change and washable filters.
- 2-speed settings for B-3J or variable speed settings for B-5J & B-5W
- ETL/C-ETL Certified.
- 6 ft (B-3J) or 8 ft (B-5J & B-5W) heavy duty flexible hoses.
- Heavy duty blower nozzles for different drying and vacuum applications.
- Compact, lightweight and portable, ideal for professional and home use.

## Table of Contents

Introduction .....	1
Operation .....	2
Specifications .....	3
Safety Instructions .....	4
Parts List .....	5
Warranty / Service .....	6, 7
Warranty Registration Form .....	8
	9

## Operation

1. Place the dryer on a flat surface. Plug the electrical cord into a 3-prong GFCI outlet.
2. To use as a dryer, connect the hose to the front hose connector and attach the desired nozzle. Keep the inlet filter and crossed cover in place on the rear cover. Turn on the switch to the desired speed.
3. To use as a vacuum, detach the hose from the front connector, then remove the inlet filter and crossed cover of the rear cover. Connect the hose to the rear cover connector and attach the desired nozzle. Turn on switch to the desired speed to vacuum.
4. All units in use must be supervised at all times.



**Important:** Open the air bleed hole on the tip of the hose when vacuuming to avoid overheating and damage to the motor

## Specifications

Model	B-3J	B-5J	B-5W
Volt/Cycle	115V / 60Hz	115V / 60Hz	115V / 60Hz
Horse Power	2 HP	4 HP	4 HP
Amp Draw	8A	12A	12A
Unit Weight	8.2 lbs	11.5 lbs	11.5 lbs
Speeds Control	2 Speeds: Hi / Low	Variable	Variable
Size (L x W x H)	13" x 6" x 9"	14" x 6.5" x 9.5"	14" x 6.5" x 9.5"
Cord Length	10 ft	10 ft	10 ft
Hose Length	6 ft (1.5 Dia")	8 ft (1.75 Dia")	8 ft (1.75 Dia")
Overheating Protection	Thermal	Dual Thermal	Dual Thermal
Max. Airflow	100 CFM	140 CFM	140 CFM
Housing Material	ABS	ABS	ABS
Safety Certification	ETL/C-ETL	ETL/C-ETL	ETL/C-ETL

- 3 -

## Safety Instructions

**WARNING: IMPORTANT SAFETY PRECAUTIONS!**  
**PLEASE READ COMPLETELY BEFORE USING PRODUCT!**

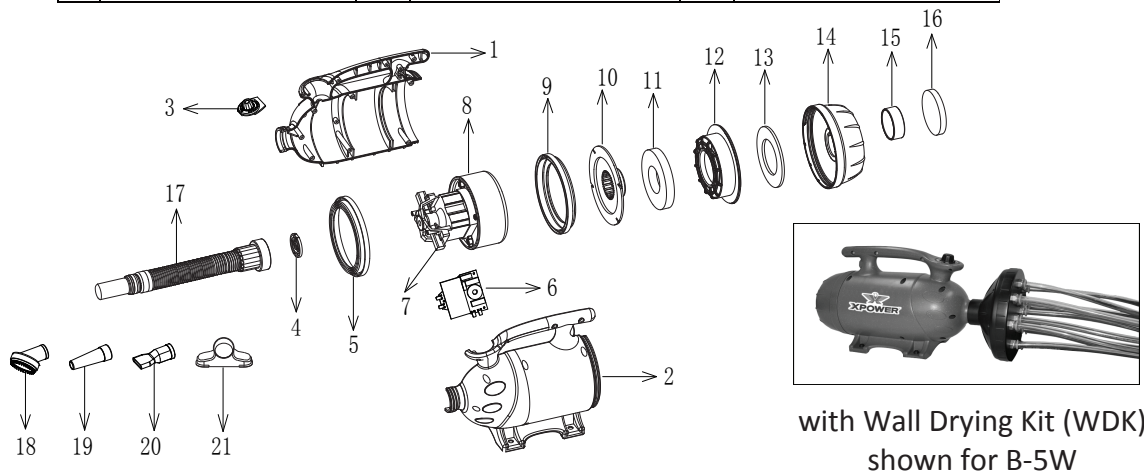
When using electrical appliances, especially when children or animals are present, basic safety precautions should always be followed to reduce the risk of fire, electric shock, and personal injury. These include, but are not limited to the following:

- Do not leave the dryer unattended while the product is in use.
- Unplug dryer when not in use.
- Do not use extension cords with the dryer product.
- Do not unplug unit by pulling on cord.
- Do not expose dryer to rain or water.
- Unplug unit before attempting any maintenance or service.
- Do not let air-intake get clogged.
- Do not direct dryer air towards eyes or ears of people or pets.
- Never use dryer with a damaged cord/plug or when unit has been dropped, damaged, or exposed to rain/water. Please call our Technical Department for service or repair.
- Do not use any other nozzles not intended for use with the dryer.
- Do not operate without filter in place. Keep filter clean, as a dirty filter limits air intake and may damage the motor or cause overheating.
- Plug only into a properly grounded receptacle. Always confirm that the amperage rating of the electrical outlet complies with the Dryer + Vacuum rating.
- Do not use product for anything other than its intended purpose.
- Do not attempt to perform any service or maintenance not outlined in the instruction manual.
- **Important:** Always keep air bleed hole on the hose is open when vacuuming in order to prevent motor overheat (usually this hole is closed when drying).

- 4 -

## Parts List

1	Left Housing	8	Motor	15	Crossed cover
2	Right Housing	9	Motor rubber sleeve	16	Inlet filter
3	Switch	10	Dustproof cover	17	Hose
4	Air outlet grid	11	Motor filter	18	Round groomer rake
5	Motor rubber sleeve	12	Dust case	19	Cone nozzle
6	PCB board	13	Dust case filter	20	Flat nozzle
7	Brush	14	Rear cover	21	Square nozzle



- 5 -

## Maintenance

### Product Maintenance:

1. To keep the Air Dryer + Vacuum clean, use a damp cloth to wipe the surface of the housing.
2. Never clean the unit with water.
3. When not in use, unplug and store the Air Dryer + Vacuum in a dry indoor place and keep out of reach of children.
4. Always disconnect the Air Dryer + Vacuum from its power source before performing any maintenance or cleaning.

### Cleaning Dryer Dust Case, Rear Cover and Filters:

The Filter System for the XPOWER Forced Air Dryer + Vacuum (including dust case, rear cover and filters) should be kept clean regularly. If the dust case is full of dirt or the filters become heavily coated, the air output and input of your Dryer + Vacuum will reduce and this can cause damage to the motors or cause the motors to overheat. You should never operate the dryer without filters in place.

### IMPORTANT!

Always turn off the unit and disconnect from electrical outlet before cleaning.

- 6 -



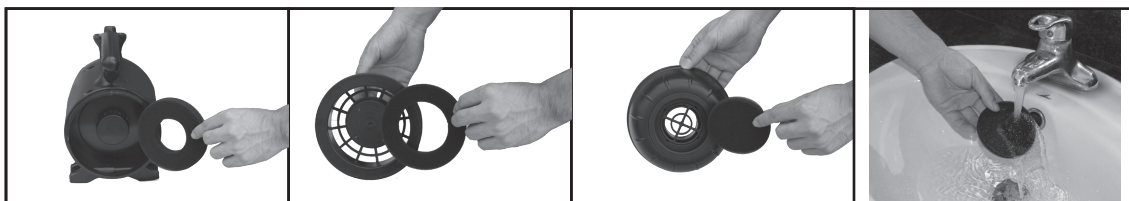
1. Turn the rear cover counter-clockwise to remove the cover.



2. Take the complete set of dust case and rear cover out of the unit. Keep the rear cover on top so that the hair and dirt are in the dust case.



3. Dump the dirt out of the dust case.



4. Rinse all filters (motor filter, dust case filter, inlet filter) with water.

5. Reinstall in reverse order when all parts are completely dried.

## WARRANTY REGISTRATION

Please complete and mail or fax for your product warranty. For multiple units, please list serial numbers on a separate sheet of paper.

Address: XPOWER MANUFACTURE, INC. 220 Clary Avenue San Gabriel, CA 91776, USA

Tel: 626-285-3301, Fax: 626-285-3302

Your Name / Company Name \_\_\_\_\_

Contact Name \_\_\_\_\_ Title \_\_\_\_\_

Address \_\_\_\_\_ City \_\_\_\_\_ State \_\_\_\_\_ Zip \_\_\_\_\_

Phone \_\_\_\_\_ Fax \_\_\_\_\_ E-mail \_\_\_\_\_

Air Dryer + Vacuum Model # \_\_\_\_\_ Serial # : \_\_\_\_\_

Date of Purchase \_\_\_\_ / \_\_\_\_ / \_\_\_\_ Purchased From \_\_\_\_\_



## XPOWER Limited Warranty

XPOWER warrants this product to be free from defects in material and workmanship for a period of one (1) year from the date of original purchase.

Wearable parts including but without limitation, filters, motor brushes, hoses and power cords are excluded from the warranty.

The liability of XPOWER is limited solely to the cost of the repair or replacement of the unit at XPOWER's discretion. This warranty does not cover normal wear of parts and does not apply to any unit that has been tampered with or used for commercial purposes. This limited warranty does not cover damage caused by misuse, abuse, negligent handling or damage due to faulty packaging or mishandling in transit. This warranty does not cover damage or defects caused by or resulting from damages from shipping or repairs, service or alterations to the product or any of its parts, which have been performed by a repair person not authorized by XPOWER.

### Service

For Warranty service and parts replacement, you must:

- A. Call 1-626-285-3301 for a RMA (Return-Merchandise-Authorization) number.
- B. Have original proof of purchase.
- C. Use the original undamaged packaging or an Industrial certified packaging method.

The end user will be responsible to ship back the unit (with RMA Number showing on the shipping label) to the XPOWER Service Department. XPOWER to inspect, assess and advise the repairs needed and the applicable cost.

- 8 -

From: \_\_\_\_\_  
\_\_\_\_\_  
\_\_\_\_\_



TO:  
XPOWER MANUFACTURE, INC.  
220 Clary Avenue  
San Gabriel, CA 91776, USA  
Tel: 626-285-3301, Fax: 626-285-3302

