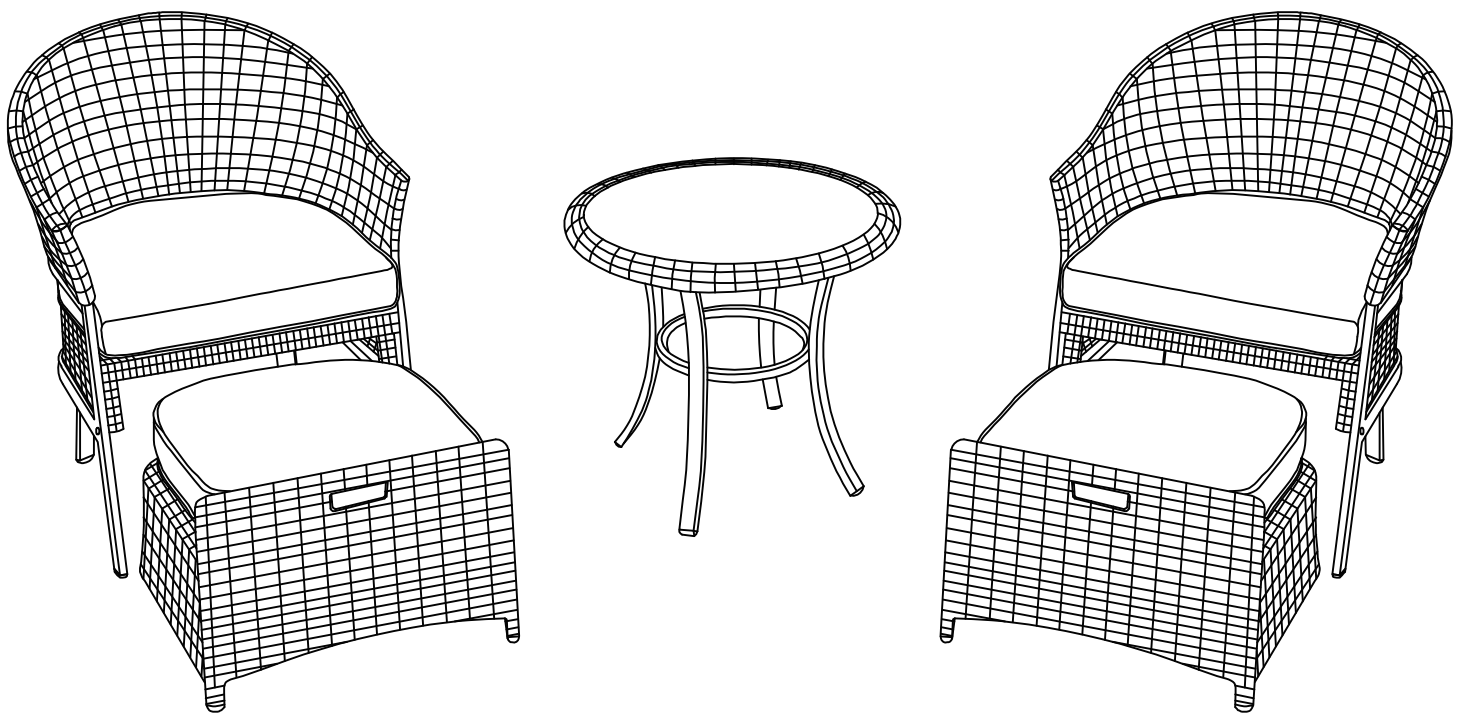


5 PC CONVERSATION SET

MODEL #FRS10005

Français p. 6

Español p. 11



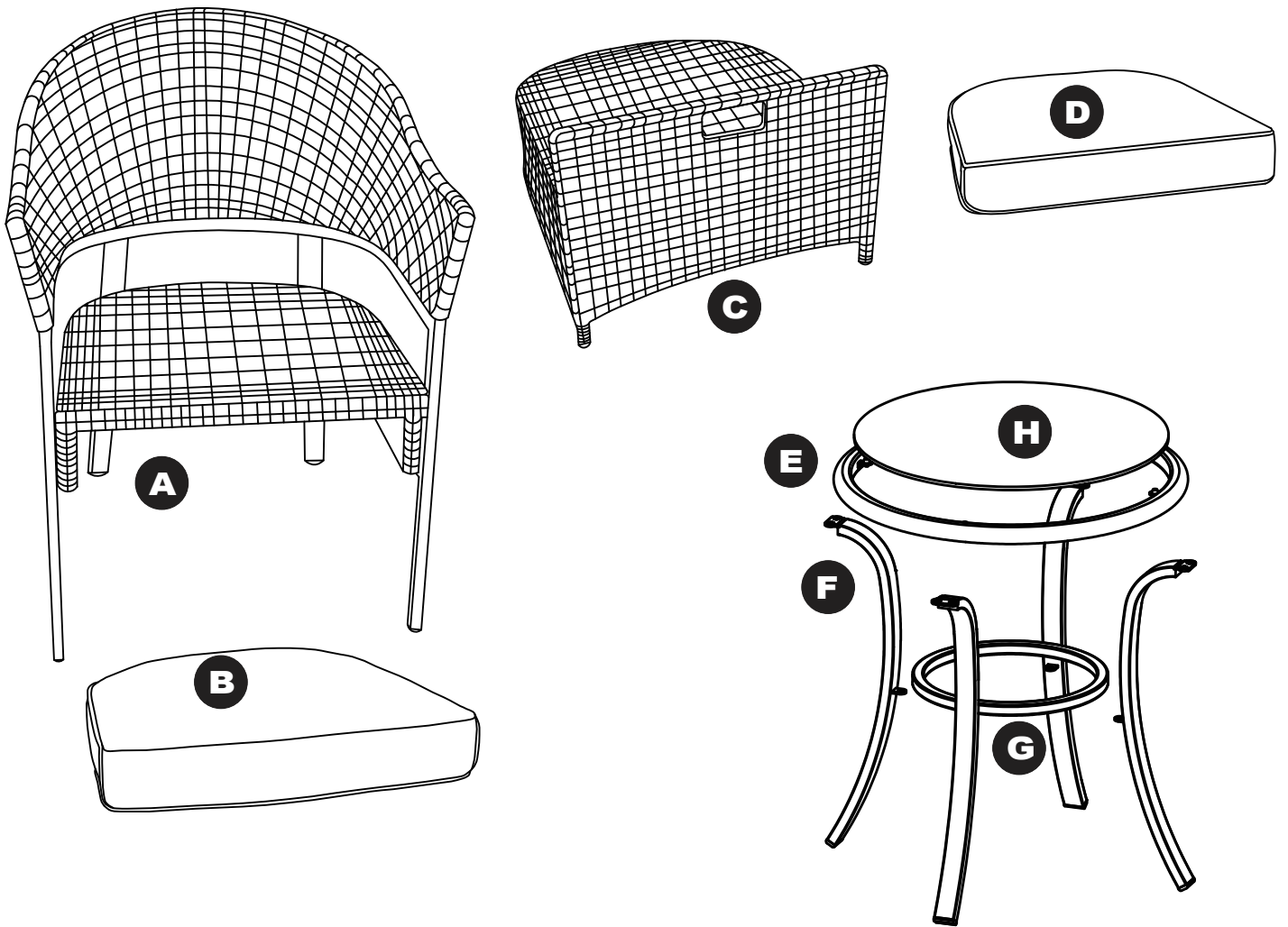
ATTACH YOUR RECEIPT HERE

Serial Number _____ Purchase Date _____



Questions, problems, missing parts? Before returning to your retailer, call our customer service department at 1-800-643-0067, 8 a.m. - 8 p.m., EST, Monday - Friday.

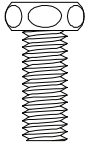
PACKAGE CONTENTS



PART	DESCRIPTION	QUANTITY
A	Chair frame	2
B	Chair seat cushion	2
C	Ottoman frame	2
D	Ottoman cushion	2
E	Table rim	1
F	Table leg	4
G	Leg connector bracket	1
H	Table glass	1

HARDWARE CONTENTS (shown actual size)

AA



Bolt

Qty: 12

BB



Washer

Qty: 12

CC



Allen Wrench (not shown actual size)

Qty: 1

SAFETY INFORMATION

Please read and understand this entire manual before attempting to assemble or install the product.

- Repeated assembly can weaken the locking ability of the washers. Periodically check all bolted connections on the furniture to make sure they are tight and secure. Retain these instructions for future reference.
- Do NOT overtighten any of the bolts as this may damage the threads. Tighten each bolt firmly and properly.
- Paint on this product might peel off if it is hit or used improperly. Use and carry it with care and apply touch-up paint (not included) when necessary.
- Some parts may contain sharp edges. Wear protective gloves as necessary.
- This outdoor furniture is designed and made for personal non-commercial use. It should not be used as a toy or a tool. Children under the age of 16 should not be engaged in the assembly, removal or disassembly of the product. Children under the age of 10 should be supervised by a competent adult while using this furniture.

PREPARATION

Before beginning assembly of product, make sure all parts are present. Compare parts with the package contents and the hardware contents list. If any part is missing or damaged, do not attempt to assemble the product.


Estimated Assembly Time: 20 minutes

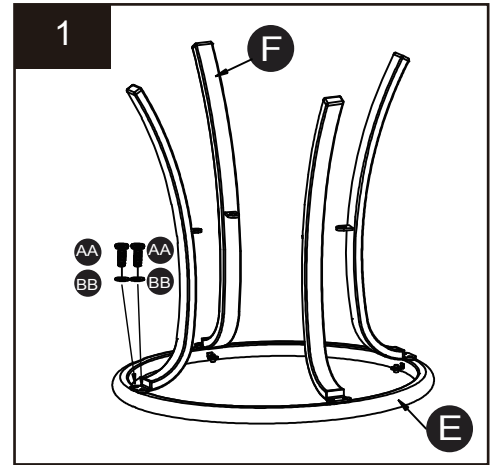
Tools Required for Assembly (included): Allen Wrench

ASSEMBLY INSTRUCTIONS

1. Carefully place the table rim (E) upside down on a soft surface. Attach the table legs (F) to the table rim (E) with bolts (AA) and washers (BB). Hand tighten.

Hardware Used

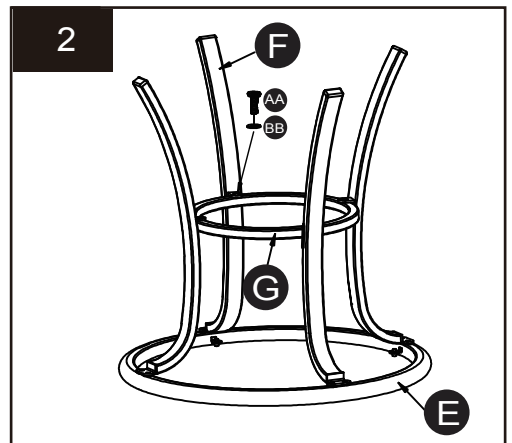
- AA Bolt
  x 8
- BB Washer
  x 8



2. Align the bolt holes on the middle of the table legs (F) with the corresponding bolt holes of leg connector bracket (G). Attach the leg connector bracket (G) using bolts (AA) and washers (BB). Hand tighten.

Hardware Used

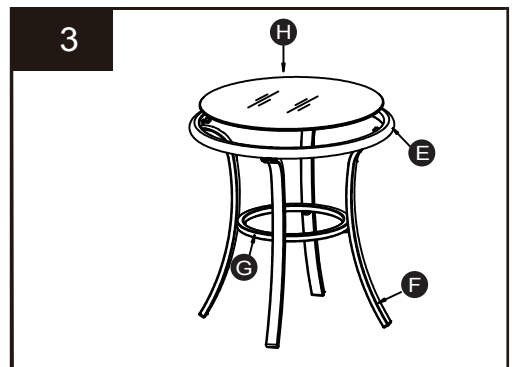
- AA Bolt
  x 4
- BB Washer
  x 4



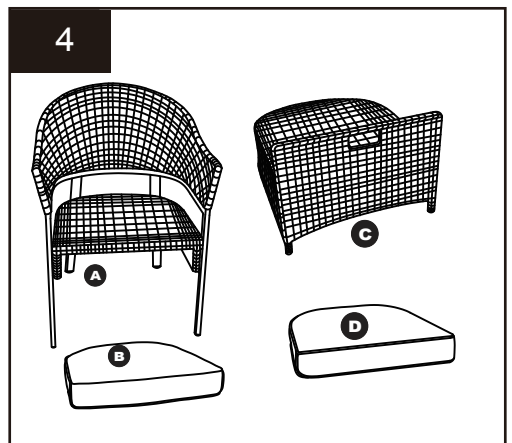
3. Use the Allen wrench (CC) to tighten all bolts (AA). Set table upright, and then place table glass (H) carefully on table rim (E).

Hardware Used

- CC Allen Wrench
  x 1



4. Place seat cushion (B) onto chair frame (A) and ottoman cushion (D) onto the ottoman frame (C) as desired



CARE AND MAINTENANCE

- Before using, clean the product completely with a soft, dry towel.
- When not in use, wipe free of any dirt or loose objects, wash with a mild solution of soap and water, and rinse dry completely. Do not use strong detergents or abrasive cleaners.
- Store the product in a cool, dry location away from sunlight.

ONE-YEAR LIMITED WARRANTY

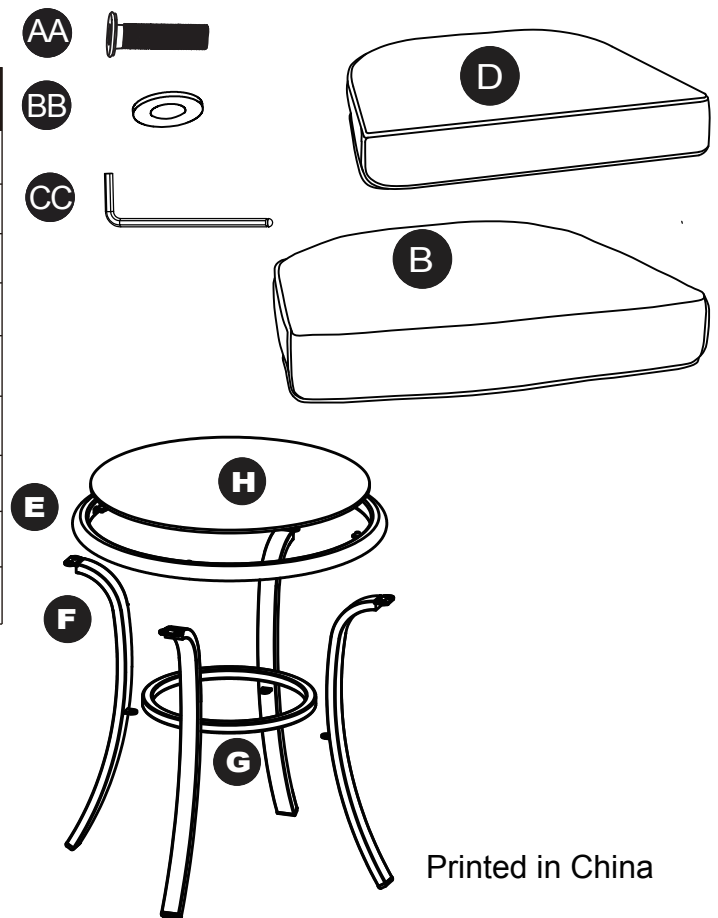
This limited warranty is extended to the original purchaser and applies to defects in materials and workmanship of your item provided the item is maintained with care and used only for personal, residential purposes. The item is warranted to be free from defects in material or workmanship for a period of one (1) year on frame. We don't reimburse for transportation or delivery costs, or compensate the individual or any outside party for assembling or disassembling the product.

Exclusions: Items used for commercial, contract, or other non-residential purposes, or items damaged due to acts of nature, vandalism, misuse, or improper assembly are not covered. Corrosion or rusting of hardware is not covered. Proof of purchase (dated register receipt) is required for warranty claims. Warranty is to the original purchaser and is non-transferable. Any replacement of warranted items will be in the original style and color, or a similar style and color if the original is unavailable or has been discontinued.

REPLACEMENT PARTS LIST

For replacement parts, call our customer service department at 1-800-643-0067, 8 a.m. - 8 p.m., EST, Monday - Friday.

PART	DESCRIPTION	PART #
B	Chair seat cushion	0402133B
D	Ottoman cushion	0402133D
E	Table rim	0402133E
F	Table leg	0402133F
G	Leg connector bracket	0402133G
H	Table glass	0402133H
AA	Bolt	0402133AA
BB	M6 Washer	0402133BB
CC	Allen Wrench	0402133CC



Printed in China

Garden Treasures® is a registered trademark of LF, LLC. All rights reserved.

Lowes.com/gardentreasures 