

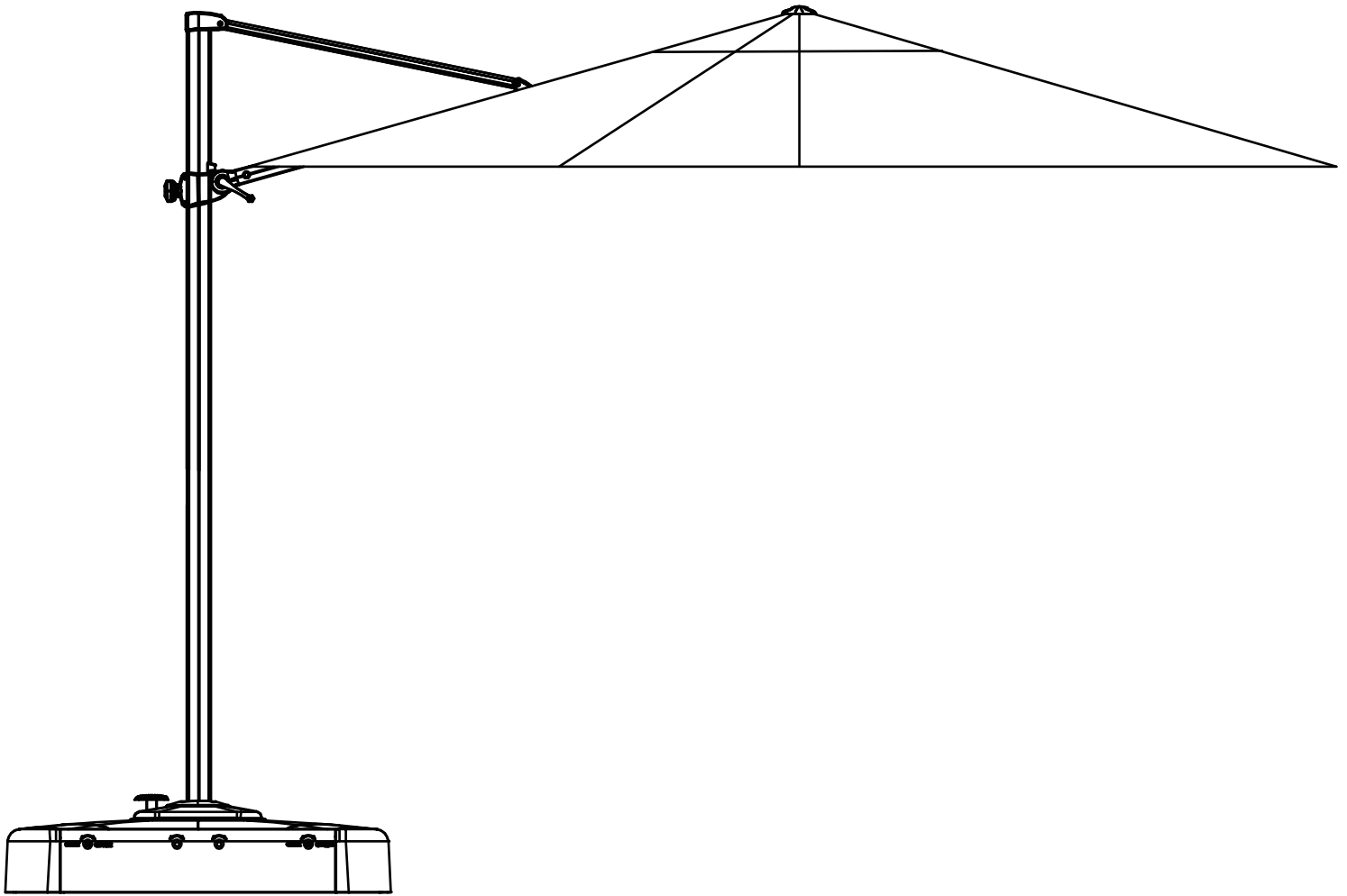


10 FT. OFFSET UMBRELLA

MODEL #YJAF-029

Français p. 09

Español P. 17



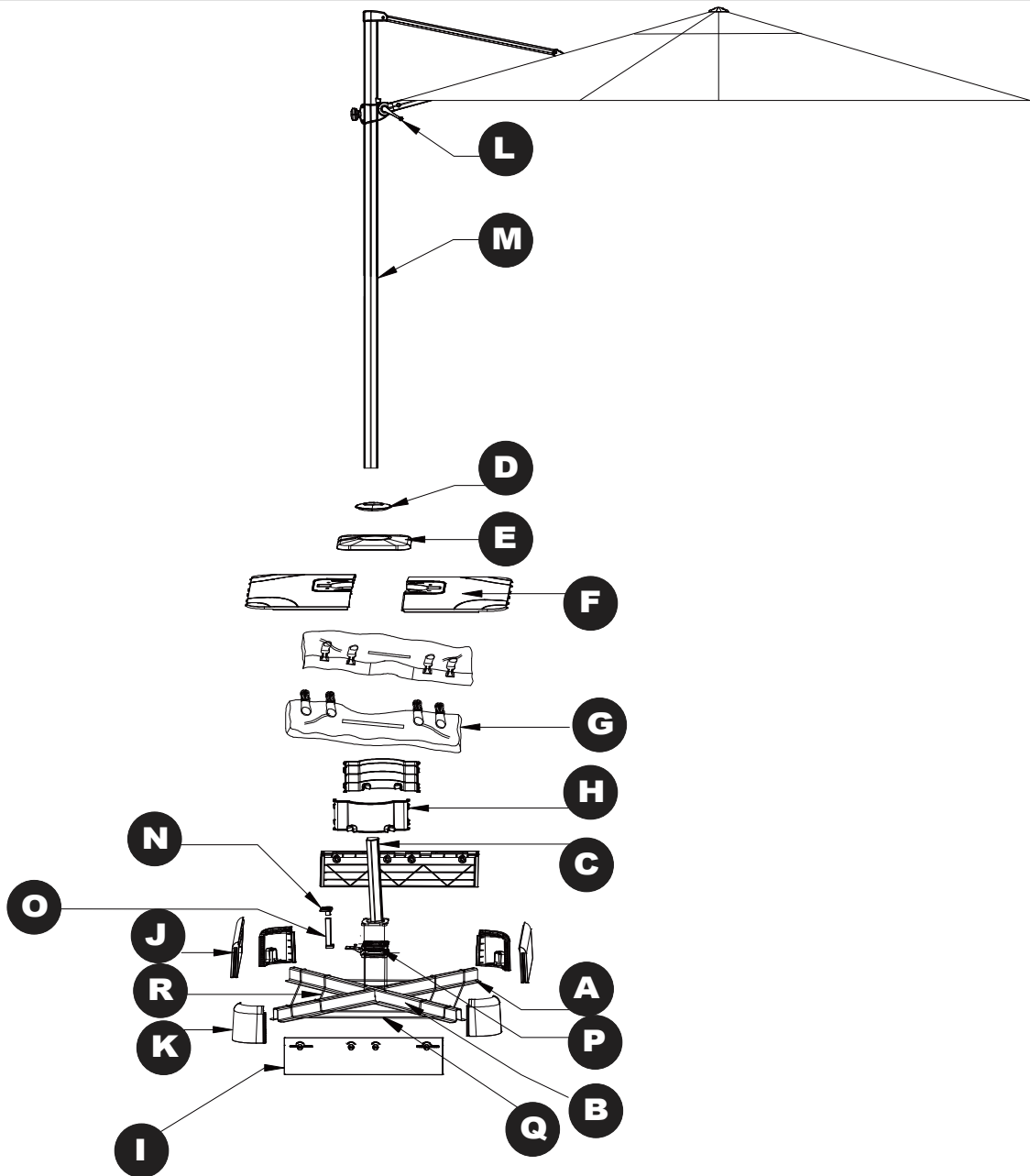
ATTACH YOUR RECEIPT HERE

Serial Number _____ Purchase Date _____



Questions, problems, missing parts? Before returning to your retailer, call our customer service department at 1-866-439-9800, 8:00 a.m. - 8:00 p.m., EST, Monday - Friday.

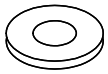
PACKAGE CONTENTS



PART	DESCRIPTION	QUANTITY
A	Lower Bracket	1
B	Upper Bracket	1
C	Base Tube	1
D	Base cover-1	1
E	Base cover-2	1
F	Base cover-3	2
G	Sand Inserts	2
H	Base Middle Bracket	2
I	Base Side Bracket-1	2
J	Base Side Bracket-2	2
K	Base Corner Bracket	4

PART	DESCRIPTION	QUANTITY
L	Crank	1
M	Umbrella	1
N	Footplate	1
O	Footplate support tube	1
P	360° Revolve Device	1
Q	Long Steel Hook	4
R	Short Steel Hook	4

HARDWARE CONTENTS (not shown to scale)

AA	BB	CC	DD	EE	FF	GG	HH
							
M10 x 25	M10 x 20	M6 x 10	M6 x 10	M10 Washer	S8 Wrench	S5 Wrench	Allen Wrench
Bolt-1	Bolt-2	Bolt-3	Bolt-4	Qty: 8	Qty: 1	Qty: 1	Qty: 1
Qty: 4	Qty: 4	Qty: 1	Qty: 2				

! SAFETY INFORMATION

Please read and understand this entire manual before attempting to assemble, operate or install the product.

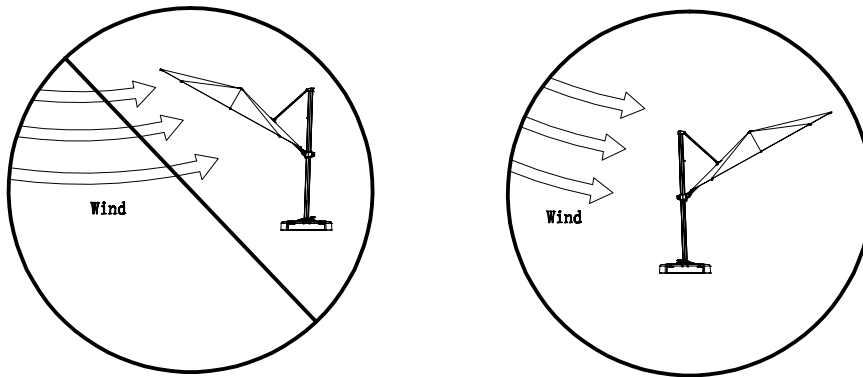
WARNING

Assemble on a soft, non-abrasive surface, such as a carpet, to avoid damage to the item. Item is heavy. Use care when handling. May require two adults for safe assembly. Crank the umbrella to its closed position during windy weather conditions.

This outdoor furniture is designed and made for personal non-commercial use. It should not be used as a toy or a tool. Children under age of 16 should not be engaged in the assembly, removal or disassembly. Children under age of 10 should be supervised by a competent adult while using this furniture.

CAUTION

To prevent damage to the canopy **DO NOT** leave the umbrella open directly facing the wind. Always take down the umbrella when not in use, during high or gusting wind and rain.



PREPARATION

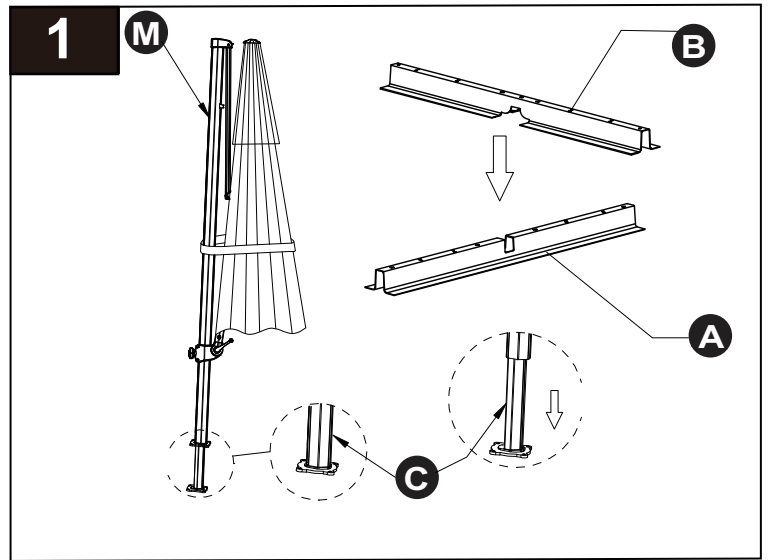
Before beginning the assembly of product, make sure all parts are present. Compare parts with package contents list. If any part is missing or damaged, do not attempt to assemble, install or operate the product.

Estimated Assembly Time: 60 minutes

Tools Required for Assembly: S8 Wrench, S5 Wrench and Allen Wrench (included)

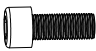
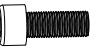




ASSEMBLY INSTRUCTIONS

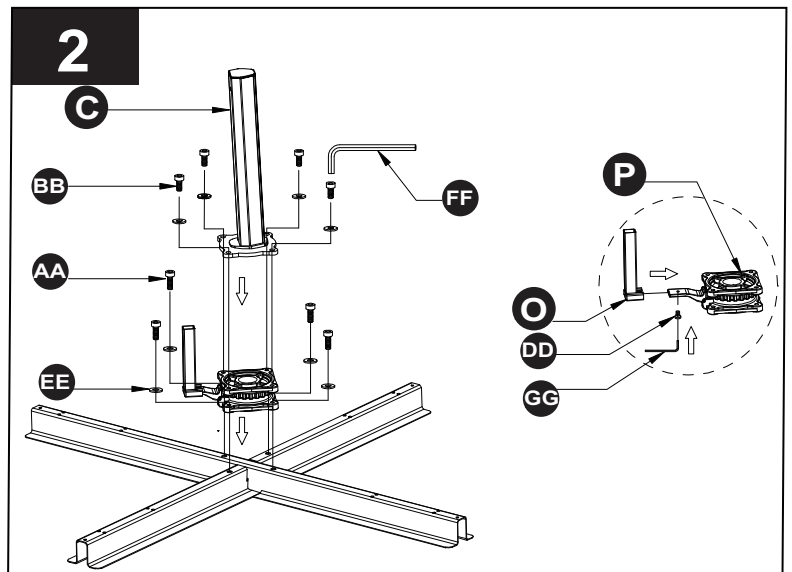
1. Remove base tube (C) from umbrella (M). Connect the lower bracket (A) with the upper bracket (B) by placing (A) on the ground and placing (B) directly into the center of (A).



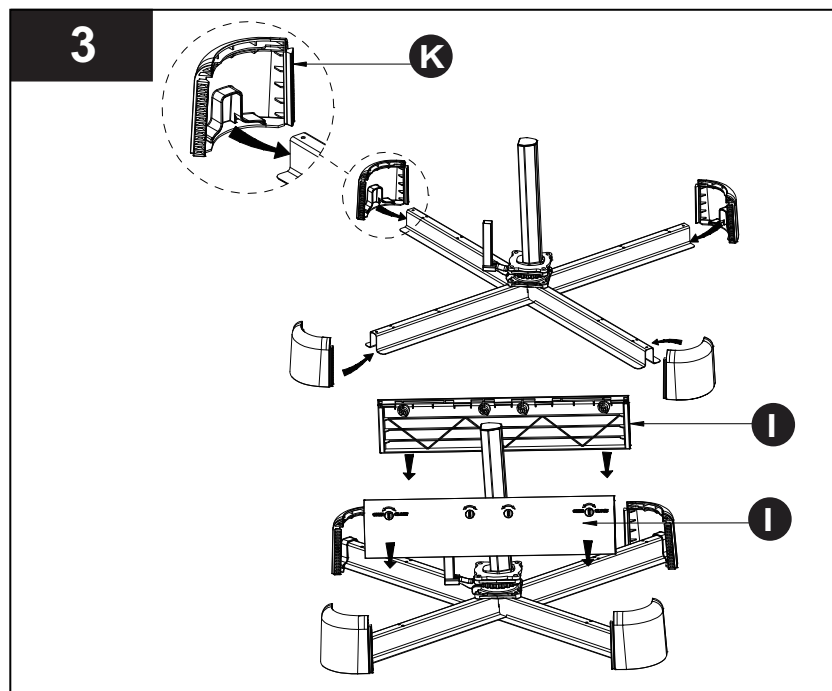
2. Attach the footplate support tube (O) to the 360° Revolve Device (P) by bolt-4 (DD) with S5 wrench (GG) into the aligned screw holes. Align the screw holes from 360° Revolve Device (P) with the 4 center holes from the lower and upper brackets by 4 bolt-1 (AA) and 4 washer (EE). Attach base tube (C) to the 360° Revolve Device (P) by 4 bolts-2 (BB) with washers (EE) using S8 wrench (FF) into the aligned screw.

Hardware Used

AA	Bolt-1		x 4
BB	Bolt-2		x 4
DD	Bolt-4		x 1
EE	M10 Washer		x 8
FF	S8 Wrench		x 1
GG	S5 Wrench		x 1

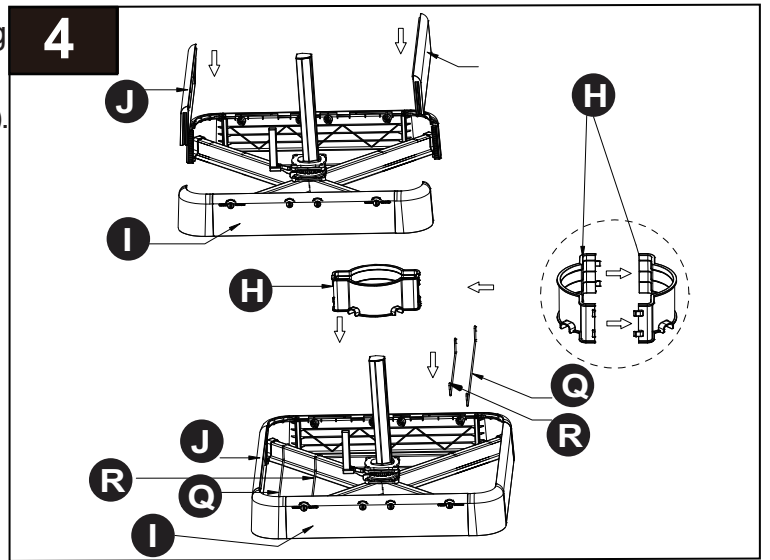


3. Slide 4 base corner brackets (K) onto the ends of (A) and (B). Then slide 2 base side bracket-1 (I) down connecting the corner brackets (K).

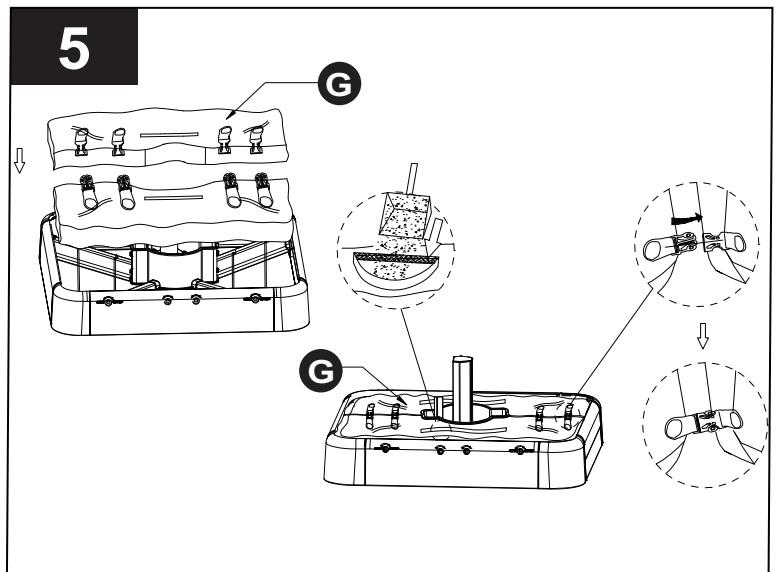


ASSEMBLY INSTRUCTIONS

4. Slide 2 base side bracket-2 (J) down connecting the corner brackets (K). Connect the two pieces of the base middle bracket (H) together around the base tube (C). Secure (A) & (B) together by inserting 4 short steel hooks (R) into the inner holes. Then insert 4 long steel hooks (Q) into the outer holes.

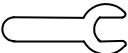


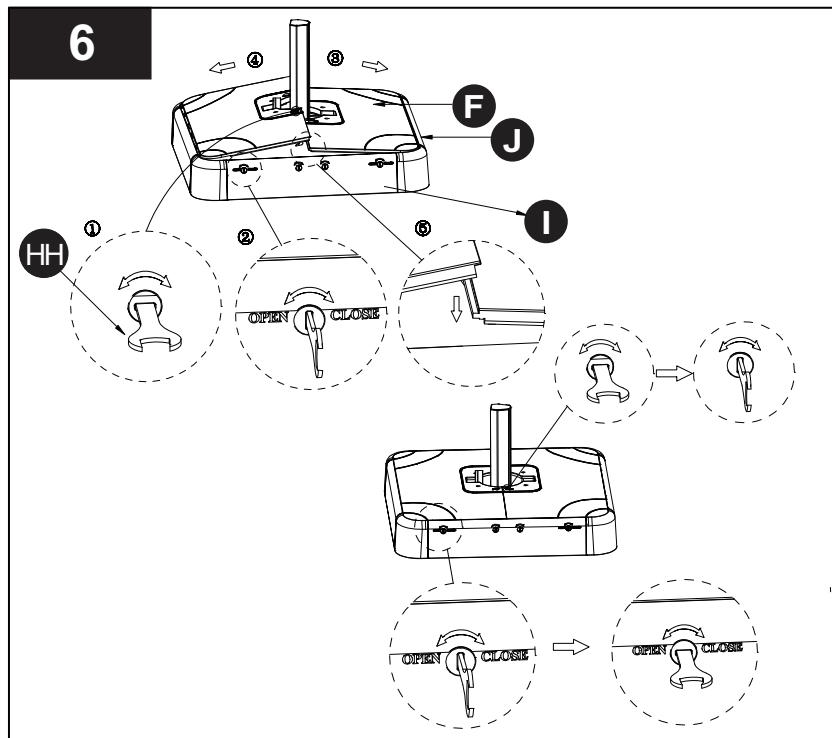
5. Set umbrella base assembly on level ground at the desired spot for the offset umbrella. Insert the two sand inserts (G) into the base assembly. Fill the sand inserts (G) with sand (not included). Snap the buckles together to join the sand inserts. Note: A minimum of 177 lbs. of sand is needed to properly secure the umbrella.



6. Use Allen wrench (HH) bottom to lock the base side bracket-1 (I). Slide the center opening of 2 base cover-3 (F) down base tube (C) to cover the base assembly. Close the base cover-3 (F) using Allen wrench (HH) bottom.

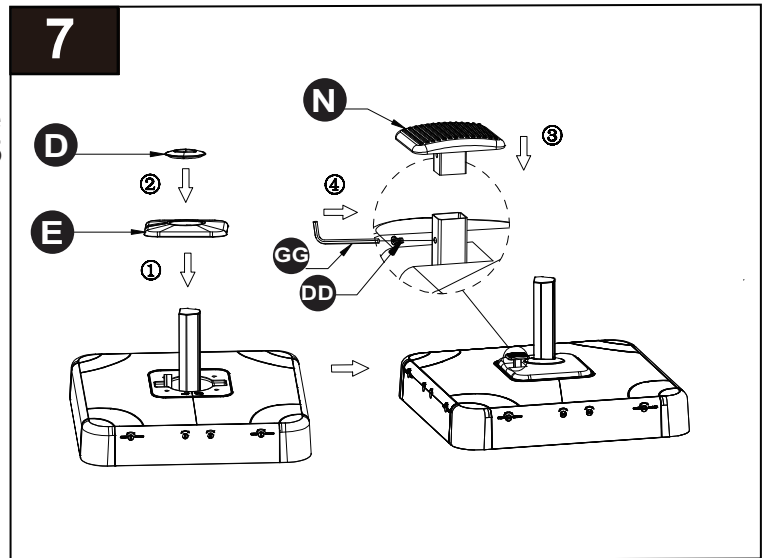
Hardware Used

HH Allen Wrench  x 1



ASSEMBLY INSTRUCTIONS

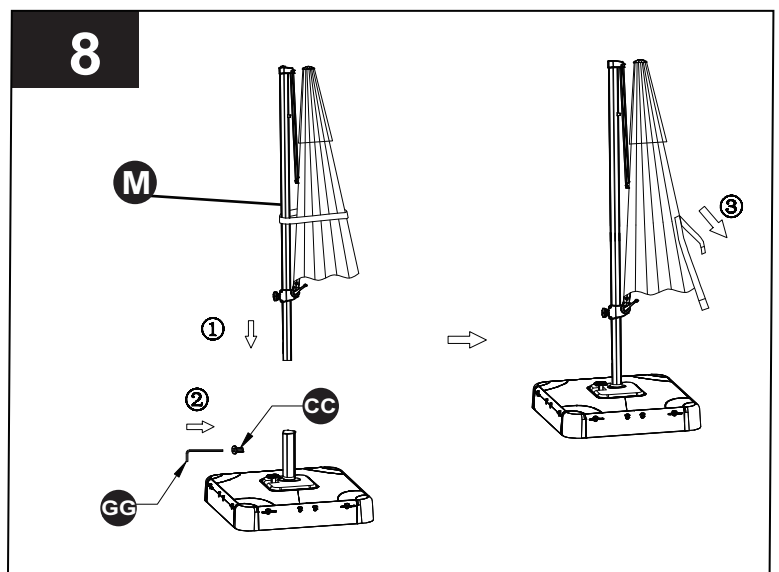
7. Slide the base cover-1 (D) and base cover-2 (E) down base tube (C) to cover the base assembly. Attach the footplate (N) to the footplate support tube (O) by bolt-4 (DD) and S5 wrench (GG).



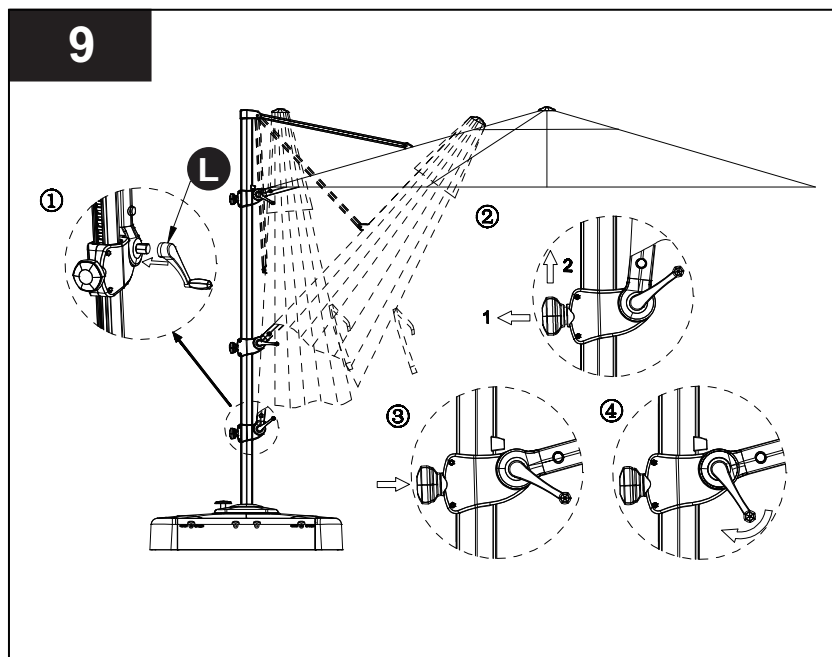
8. Insert the umbrella (M) onto the base tube (C) and fix them together by screwing bolt-3 (CC) using S5 wrench (GG), then release the umbrella band.

Hardware Used

CC	Bolt-3		x 1
GG	S5 Wrench		x 1

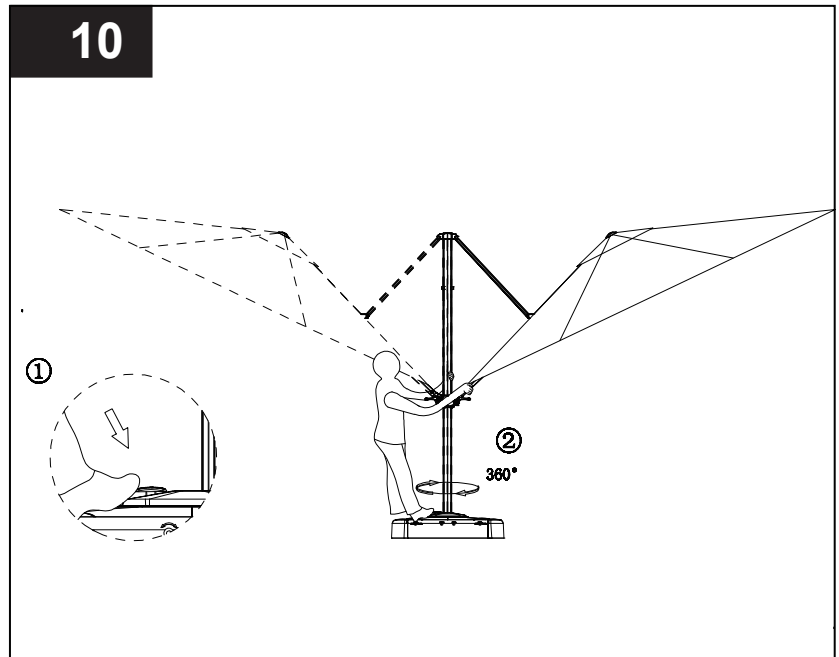


9. Insert crank (L) into the handle of the umbrella. Open the umbrella canopy by pulling up the button and lifting upward to raise the canopy. Release the button to set in the desired position.



ASSEMBLY INSTRUCTIONS

10. To revolve the umbrella, press down on the footplate (N).



CARE AND MAINTENANCE

- Before using, clean the product completely with a soft, dry towel.
- Wash with a mild solution of soap and water; rinse and dry completely.
Do not use strong detergent or abrasive cleaners.
- Store the product in a cool, dry location away from sunlight.

ONE-YEAR LIMITED WARRANTY

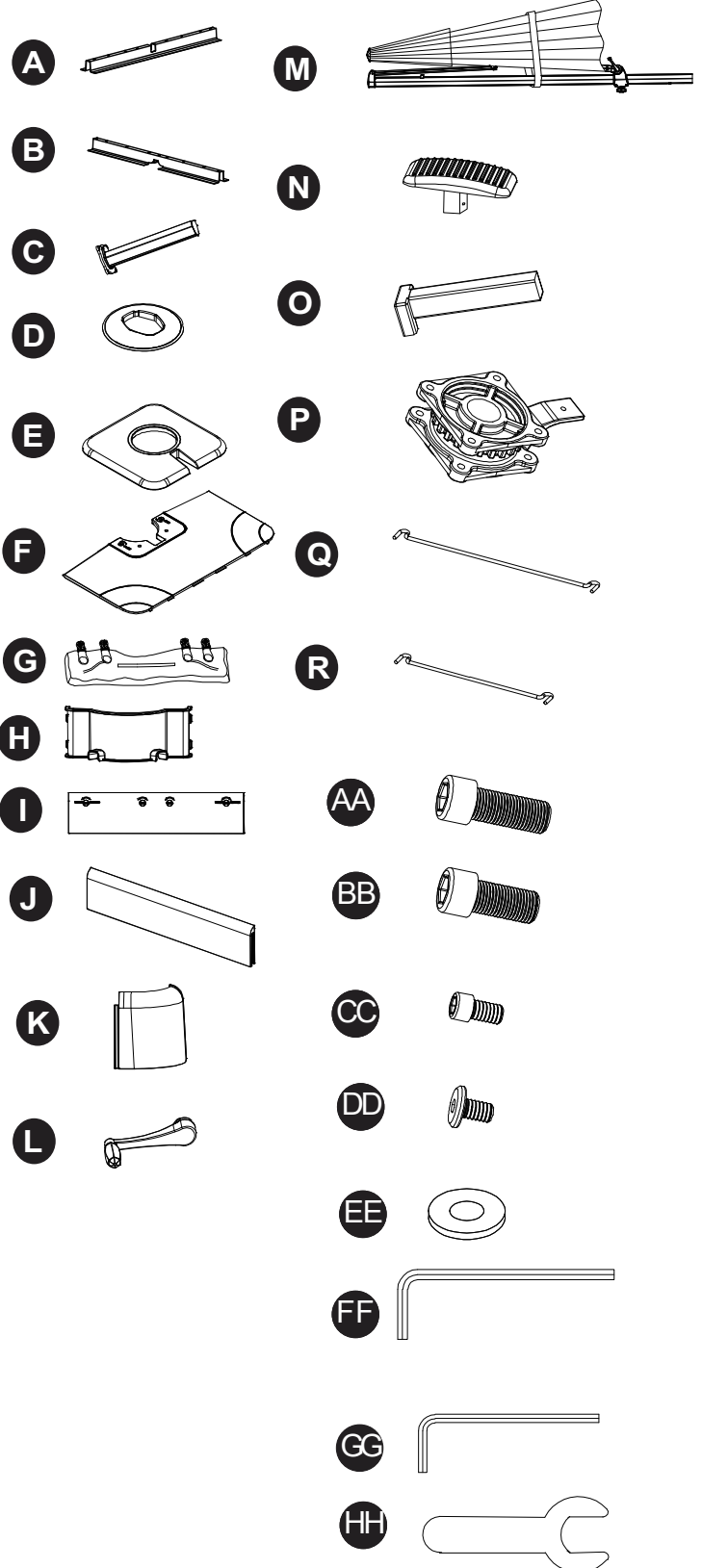
This limited warranty is extended to the original purchaser and applies to defects in materials and workmanship of your item provided the item is maintained with care and used only for personal, residential purposes. The item is warranted to be free from defects in material or workmanship for a period of one (1) year on frame. Umbrella frames and bases are warranted for a period of one (1) year. We don't reimburse for transportation or delivery costs, or compensate the individual or any outside party for assembling or disassembling the product.

Exclusions: Items used for commercial, contract, or other non-residential purposes, or items damaged due to acts of nature, vandalism, misuse, or improper assembly are not covered. Corrosion or rusting is not covered. Proof of purchase (dated register receipt) is required for warranty claims. Warranty is to the original purchaser and is non-transferable. Any replacement of warranted items will be in the original style and color, or a similar style and color if the original is unavailable or has been discontinued.

REPLACEMENT PARTS LIST

For replacement parts, call our customer service department at 1-866-439-9800,
8:00 a.m. - 8:00 p.m., EST, Monday - Friday.

PART	DESCRIPTION	QUANTITY
A	Lower Bracket	1
B	Upper Bracket	1
C	Base Tube	1
D	Base cover-1	1
E	Base cover-2	1
F	Base cover-3	2
G	Sand Inserts	2
H	Base Middle Bracket	2
I	Base Side Bracket-1	2
J	Base Side Bracket-2	2
K	Base Corner Bracket	4
L	Crank	1
M	Umbrella	1
N	Footplate	1
O	Footplate support tube	1
P	360° Revolve Device	1
Q	Long Steel Hook	4
R	Short Steel Hook	4
AA	Bolt-1	4
BB	Bolt-2	4
CC	Bolt-3	1
DD	Bolt-4	2
EE	Washer	8
FF	S8 Wrench	1
GG	S5 Wrench	1
HH	Allen Wrench	1



Printed in China

allen + roth® is a registered trademark
of LF, LLC. All rights reserved.