



ITEM #0511265

2-SEAT SLING SWING

MODEL #GSS00133B

Français p. 11

Español p. 21



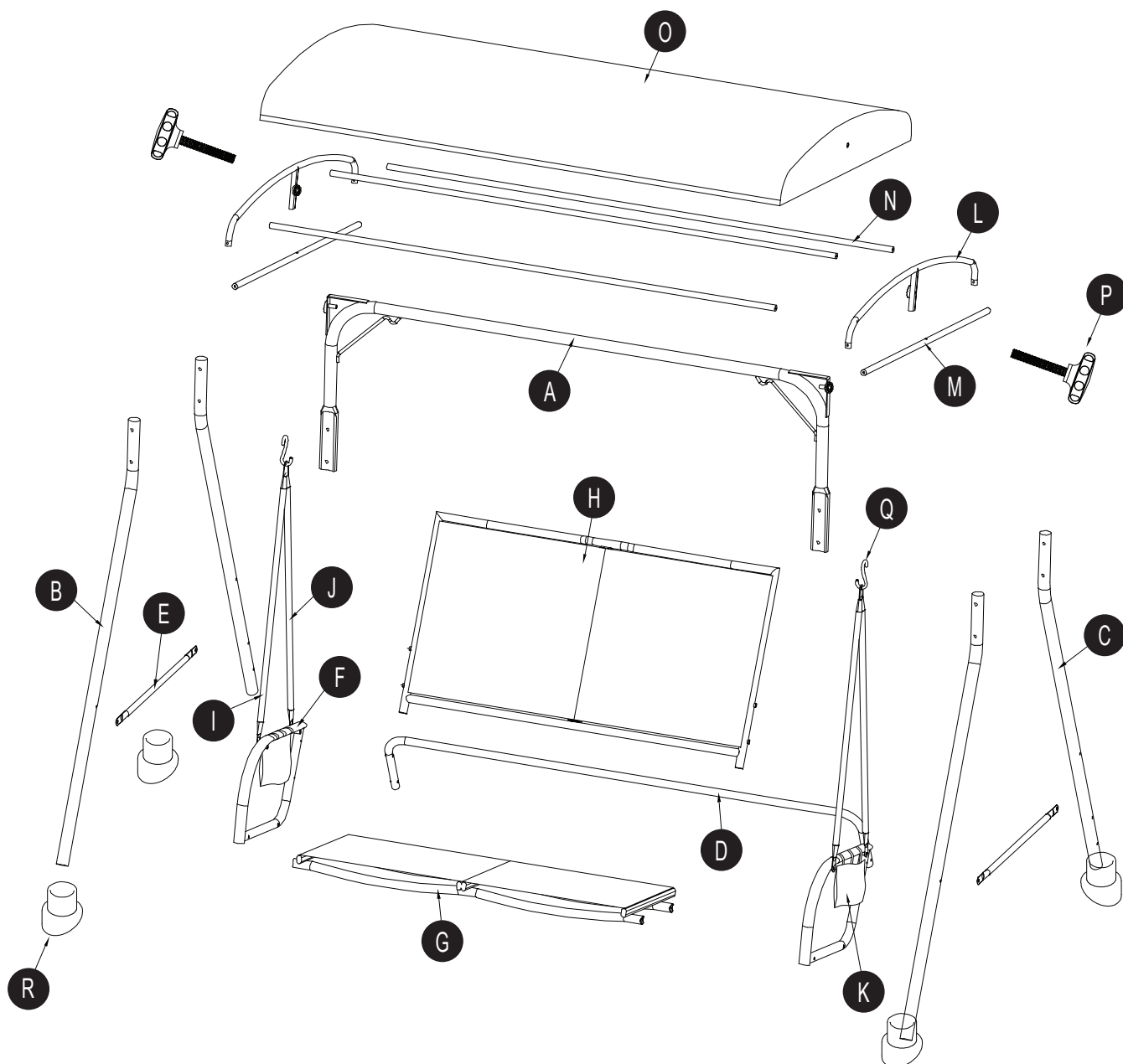
ATTACH YOUR RECEIPT HERE

Serial Number _____ Purchase Date _____



Questions, problems, missing parts? Before returning to your retailer, call our customer service department at 1-800-643-0067, 8 a.m. - 8 p.m., EST, Monday – Friday.

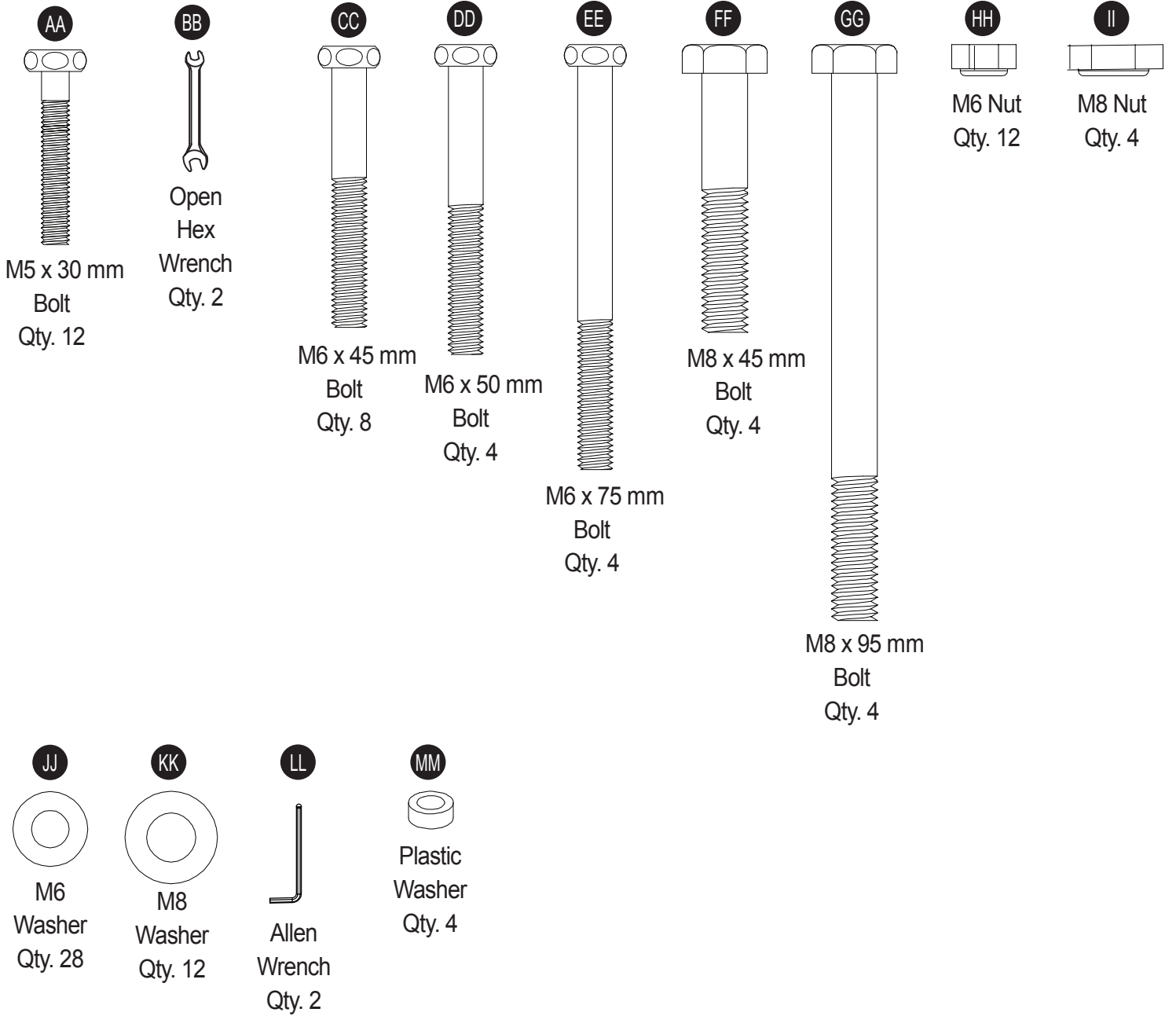
PACKAGE CONTENTS



PART	DESCRIPTION	QUANTITY
A	Top frame bar	1
B	Front leg	2
C	Back leg	2
D	Back crossbar	1
E	Leg crossbar	2
F	Arm	2
G	Sling seat	1
H	Sling back	1
I	Short hanging bar	2
J	Long hanging bar	2

PART	DESCRIPTION	QUANTITY
K	Magazine bag	2
L	Canopy side bar	2
M	Side support canopy crossbar	2
N	Support canopy crossbar	3
O	Canopy	1
P	Knob	2
Q	"S" Hook	2
R	Foot Cap	4

HARDWARE CONTENTS (not shown actual size)





SAFETY INFORMATION

Please read and understand this entire manual before attempting to assemble or install the product.



WARNING

- The swing is heavy. Handle with care.
- Two adults may be needed to assemble this product.

CAUTION

- Recommended maximum sitting weight for the swing is 500 lbs.
- Assemble the swing on a soft, non-abrasive surface, such as carpeting, to avoid damage.

PREPARATION

Before beginning assembly of product, make sure all parts are present. Compare parts with package contents list and hardware contents list. If any part is missing or damaged, do not attempt to assemble the product.

Estimated Assembly Time: 2 hours

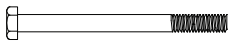


Tools Required for Assembly (included): 2 Allen Wrenches, 2 Open Hex Wrench.

ASSEMBLY INSTRUCTIONS

FRAME ASSEMBLY

- Align the two holes at the top of one front leg (B) with the two holes at one end of the top frame bar (A). Insert an M8 x 95 mm bolt (GG) through an M8 washer (KK), through a leg hole and through top frame bar (A). Align a back leg (C) on the other side of the top frame bar (A) and continue the bolt through the back leg (C), through another M8 washer (KK) and into an M8 nut (II). Do not tighten completely. Repeat this procedure for the adjacent hole and to attach the other two legs at the other end of the top frame bar (A).




Hardware Used

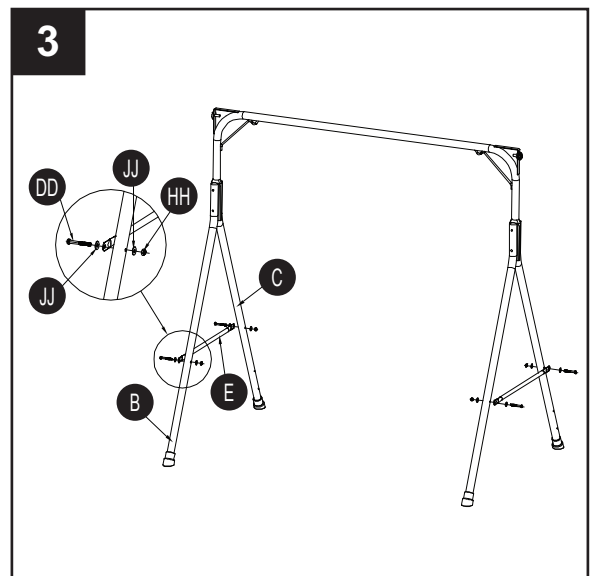
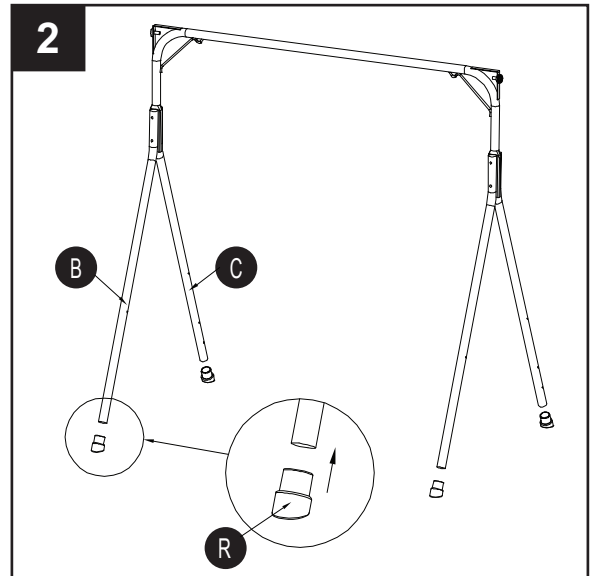
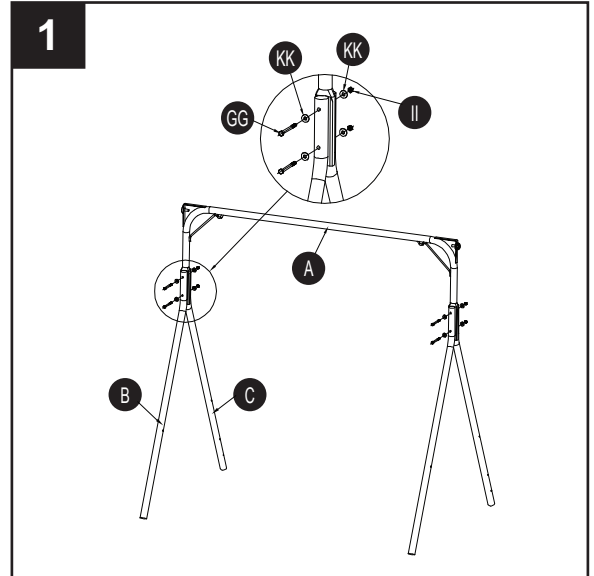
GG	M8 x 95 mm Bolt		x 4
II	M8 Nut		x 4
KK	M8 Washer		x 8

- Attach the foot caps (R) to both front legs (B) and back legs (C).

- Align the two holes of a leg crossbar (E) with the holes on the front leg (B) and back leg (C) at one end of the frame. From the outside, insert an M6 x 50 mm bolt (DD) through an M6 washer (JJ), through the leg crossbar (E), through the front leg (B), through an M6 washer (JJ) and into an M6 nut (HH). Do not tighten completely. Repeat this procedure for the other three crossbar-to-leg connections.

Hardware Used

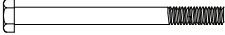


DD	M6 x 50 mm Bolt		x 4
HH	M6 Nut		x 4
JJ	M6 Washer		x 8

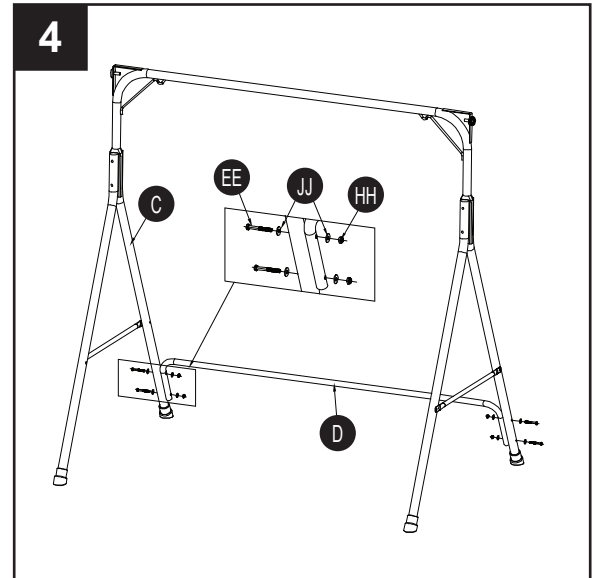


ASSEMBLY INSTRUCTIONS

4. Align the holes of the back crossbar (D) with the holes in the two back legs (C). For each hole, insert an M6 x 75 mm bolt (EE) through an M6 washer (JJ), through a back leg (C), through the back crossbar (D), through an M6 washer (JJ) and into an M6 nut (HH). Do not tighten completely.

Hardware Used



EE	M6 x 75 mm Bolt		x 4
HH	M6 Nut		x 4
JJ	M6 Washer		x 8

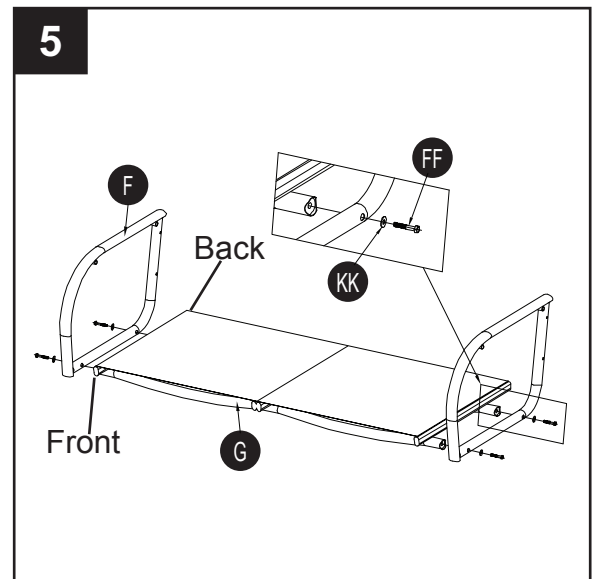


SEAT ASSEMBLY

5. Align the two holes in the bottom of an arm (F) with the holes in the right side of the sling seat (G). For each hole, insert an M8 x 45 mm bolt (FF) through an M8 washer (KK), through the arm (F) and into the sling seat crossbar. Do not tighten completely. Repeat this procedure on the left side of the sling seat using the other arm (F). Please follow the front and back label to assemble the sling seat (G).


Hardware Used

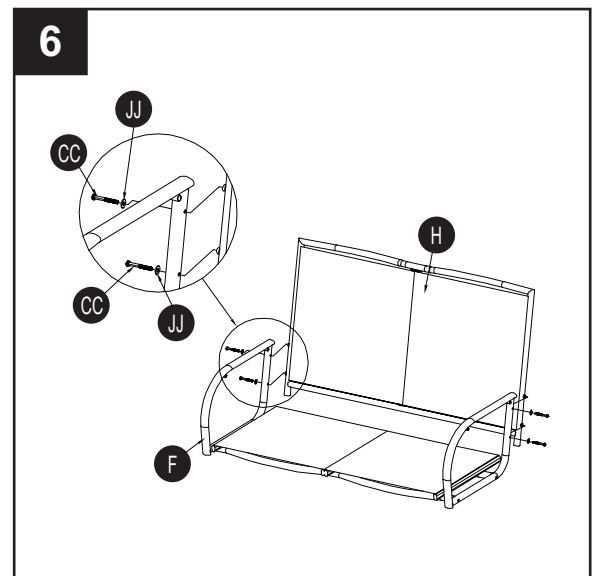
FF	M8 x 45 mm Bolt		x 4
KK	M8 Washer		x 4



6. Place the sling back (H) between the two arms (F), lining up the holes on the sides. For each hole, insert an M6 x 45 mm bolt (CC) through an M6 washer (JJ), through back of the arm (F) and into the sling back (H). Do not tighten completely. Repeat this procedure on the other side of the sling back (H).

Hardware Used

CC	M6 x 45 mm Bolt		x 4
JJ	M6 Washer		x 4



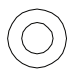



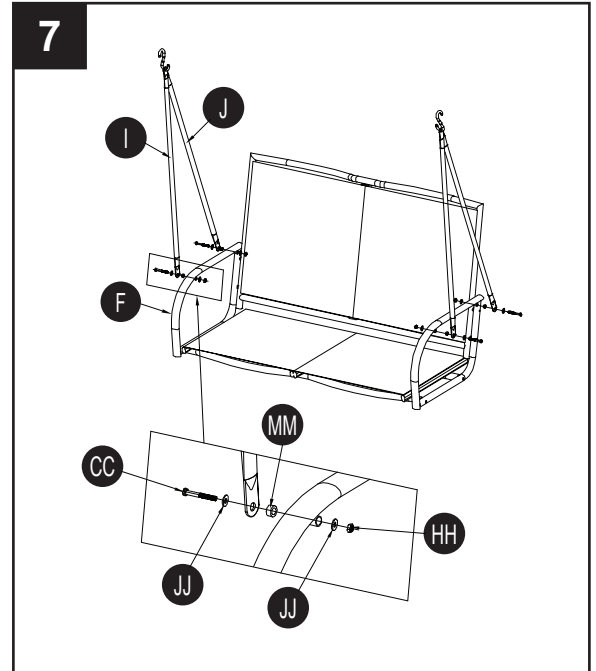
ASSEMBLY INSTRUCTIONS

HANGER ASSEMBLY

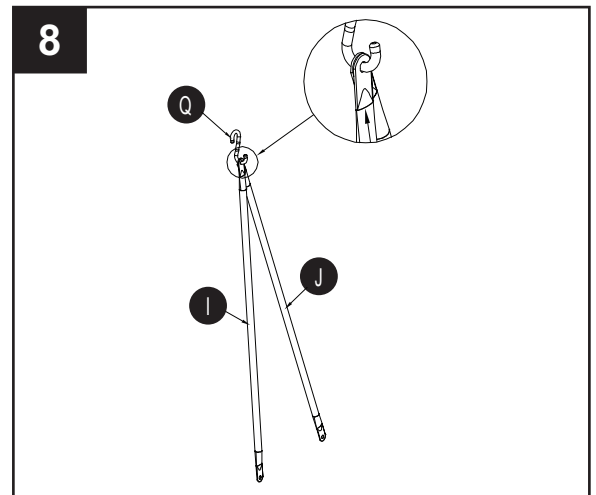
- Align the hole at one end of a short hanging bar (I) with the sleeve under the front of the arm (F). From the outside, insert an M6 x 45 mm bolt (CC) through an M6 washer (JJ), through the short hanging bar (I), through a plastic washer (MM), through the sleeve under the arm (F), through an M6 washer (JJ) and into an M6 nut (HH). Do not tighten completely. Attach the long hanging bar (J) to the back of the arm (F) using the same procedure. Repeat this step for the remaining long hanging bar (J) and short hanging bar (I).

Hardware Used

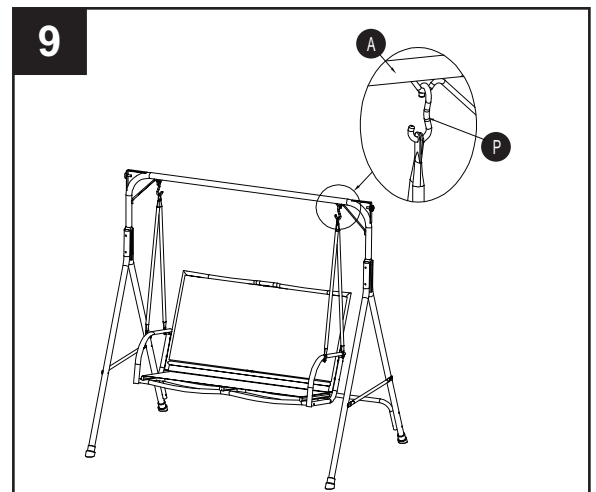
CC	M6 x 45 mm Bolt		x 4
HH	M6 Nut		x 4
JJ	M6 Washer		x 8
MM	Plastic Washer		x 4



- At each end of the seat assembly, bring the holes in the free ends of the hanging bars together and thread them onto an "S" hook (Q).



- Hang the "S" hooks (Q) from the loops on the top frame bar (A).



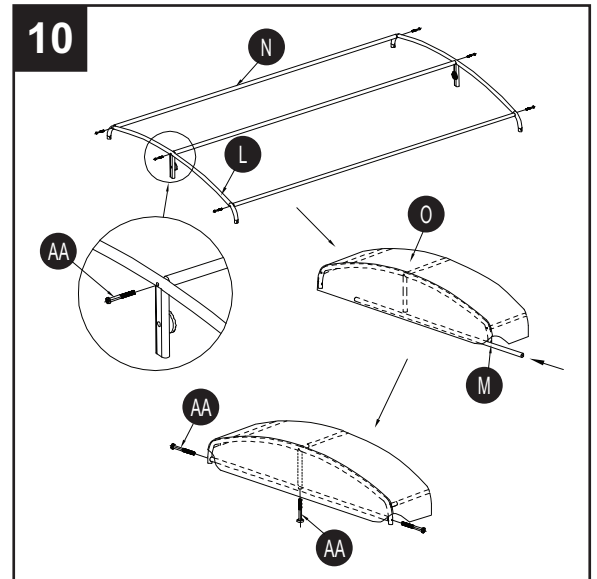
ASSEMBLY INSTRUCTIONS

CANOPY ASSEMBLY

10. Align the holes in the support canopy crossbars(N) with holes in the canopy side bar (L) on both sides. For each hole, insert a M5 x 30 mm bolt (AA) through the canopy side bar (L) and into support canopy crossbars (N). Repeat this procedure for the other support canopy crossbars (N). Insert side support crossbars (M) into the canopy cover (O) bottom edge and align the holes in the bottom of canopy side bar (L). For each hole, insert an M5 x 30 mm bolt (AA) through side support canopy crossbar (M) and into canopy side bar (L). Place one end of the canopy (O) over the canopy side bar (L), fitting the corners over the ends of side bar (L). Repeat this procedure for the other canopy side bar (L).



Hardware Used

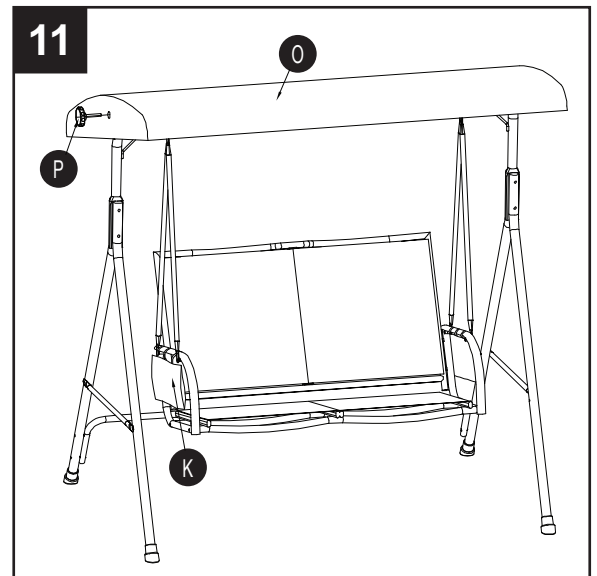
AA M5 x 30 mm Bolt  x 12



11. Insert the knob (P) through the grommet hole in the canopy (O) into the canopy side bar (L). Stretch the canopy (O) over the top of the swing and repeat procedure on the other side of canopy side bar (L). You can change the tilt of the canopy (O) by adjusting the knobs (P). Tighten all connections using Allen wrenches (LL) and open hex wrench (BB).

Hardware Used

BB Open Hex Wrench  x 2
LL Allen Wrench  x 2



CARE AND MAINTENANCE

Wash with mild soap. Rinse with water and let air dry.

ONE-YEAR LIMITED WARRANTY

This warranty is extended to the original purchaser and applies to defects in materials and workmanship of your patio furniture provided your furniture is maintained with care and used only for personal, residential purposes.

Frames are warranted to be free from defects in material or workmanship for a period of one (1) year.

Cushions, Straps and/or Wicker Weaves are covered for a period of one (1) year against defects in material or workmanship. Sling fabric is covered for a period of one (1) year against defects in material or workmanship.

Exclusions: Items used for commercial, contract or other non-residential purposes; display models; items purchased "as is;" or items damaged due to acts of nature, vandalism, misuse or improper assembly are not covered.

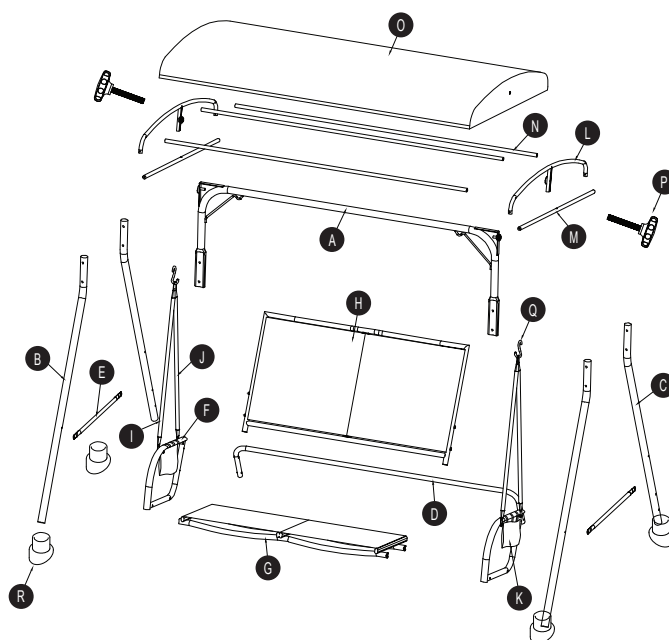
If within the stated warranty period a product is found to be defective in material or workmanship, the purchaser must contact the manufacturer's customer service department at 1-800-643-0067. The manufacturer, at its option, will repair or replace the defective parts.

Warranty is to the original purchaser and is non-transferable. Any replacement of warranted items will be in the original style and color or a similar style and color if the original is unavailable or has been discontinued. As some states do not allow exclusions or limitations on an implied warranty, the above exclusions and limitations may not apply. This warranty gives you specific rights, and you may also have other rights which vary from state to state.

REPLACEMENT PARTS LIST

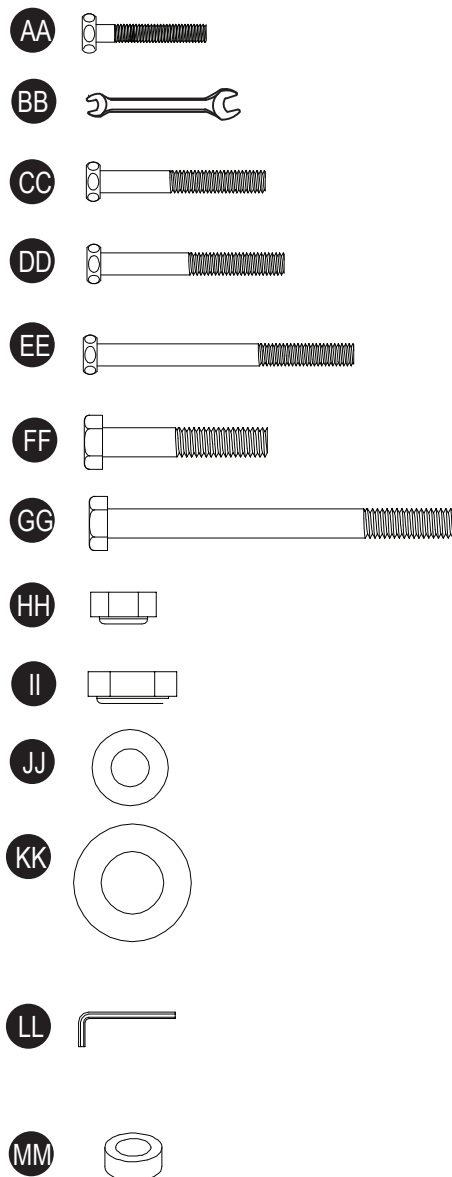
For replacement parts, call our customer service department at 1-800-643-0067, 8:00 a.m. - 8:00 p.m., EST, Monday - Friday.

PART	DESCRIPTION	PART#
A	Top frame bar	0511265A
B	Front leg	0511265B
C	Back leg	0511265C
D	Back crossbar	0511265D
E	Leg crossbar	0511265E
F	Arm	0511265F
G	Sling seat	0511265G
H	Sling back	0511265H
I	Short hanging bar	0511265I
J	Long hanging bar	0511265J
K	Magazine bag	0511265K
L	Canopy side bar	0511265L
M	Side support canopy crossbar	0511265M
N	Support canopy crossbar	0511265N
O	Canopy	0511265O
P	Knob	0511265P
Q	"S" Hook	0511265Q
R	Foot Cap	0511265R



REPLACEMENT PARTS LIST

PART	DESCRIPTION	PART#
AA	M5 x 30mm Bolt	0511265AA
BB	Open Hex Wrench	0511265BB
CC	M6 x 45mm Bolt	0511265CC
DD	M6 x 50mm Bolt	0511265DD
EE	M6 x 75mm Bolt	0511265EE
FF	M8 x 45mm Bolt	0511265FF
GG	M8 x 95mm Bolt	0511265GG
HH	M6 Nut	0511265HH
II	M8 Nut	0511265II
JJ	M6 Washer	0511265JJ
KK	M8 Washer	0511265KK
LL	Allen Wrench	0511265LL
MM	Plastic Washer	0511265MM



Printed in China

Garden Treasures® is a registered trademark of LF, LLC. All rights reserved.

Lowes.com/gardentreasures 