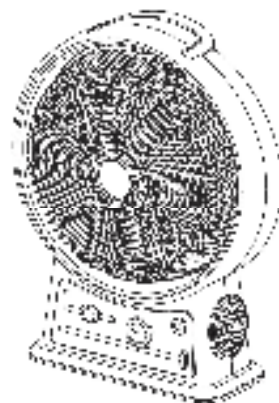




Model No. GS-26R Rechargeable Cooling Fan with Radio

Instruction Manual

FC Tested to Comply
with FCC Standards
FOR HOME OR OFFICE USE



Introduction

Thank you for buying a **GAMA SONIC®** product. For your information **GAMA SONIC®** offers unique multi-purpose rechargeable products that range from party lights to solar lighting products.

GAMA SONIC® has been recognized as a worldwide leader in the lighting industry for over 20 years.

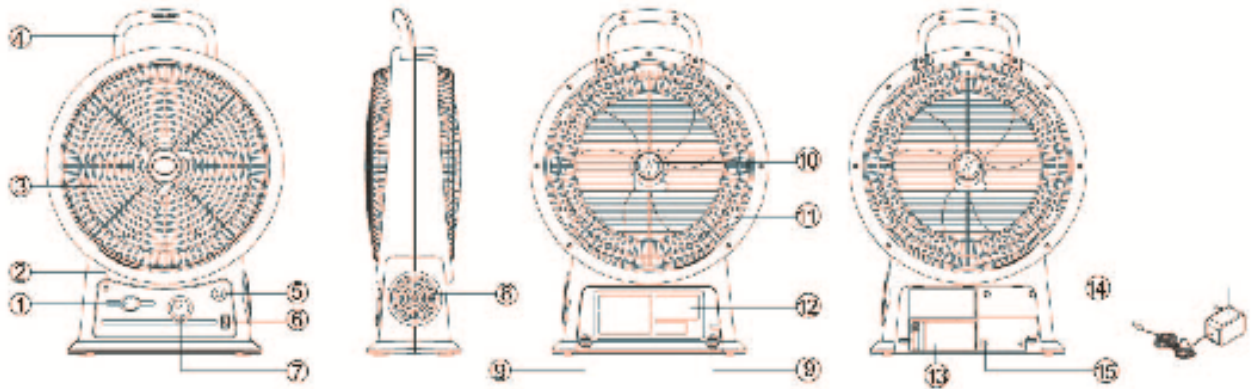
For more information visit our website at: www.gamasonic.com.

IMPORTANT: THE BATTERY SECURITY TAB MUST BE REMOVED BEFORE OPERATING THE FAN (Fig. 1 page 3),

Please read the instruction manual carefully to obtain the best results from your purchase.

Part Listing and Features

- | | |
|------------------------------|---|
| 1. Fan HIGH/OFF/LOW Selector | 9. Battery cover release lock |
| 2. Charging Indicator | 10. Fan oscillating control switch |
| 3. Front Cover | 11. Fan cover release lock |
| 4. Handle | 12. Battery Door |
| 5. Volume Control | 13. 1 Sealed Lead-Acid rechargeable battery
6V/4.0Ah or 6V/4.5Ah |
| 6. AM/FM Selector | 14. AC Adaptor |
| 7. Tuning | 15. DC Jack |
| 8. Speaker | |



Technical Specifications

- Input voltage..... DC 9V
 - Operating Temperature..... 0°C-40°C
 - Humidity..... Lower than 90%
 - Charging Time..... 15 hours (one battery), 24 hours (two batteries)
 - Battery Spec..... Lead Acid Battery 6V/4Ah or 6V/4.5Ah (RB640C or RB645C)
- AC Adaptor (UL approved):
- Input voltage..... AC 120V~60Hz
 - Output..... DC9V/2A

Note: The rating label marked on the bottom of unit.

WARNING :

a) To avoid an electrical shock. Please do not open the rear cabinet (rechargeable fan) for repair or cleaning unless qualified person.

b) If the supply cord is damaged. It must be replaced by the manufacturer or its service agent or a similarly qualified person in order to avoid a hazard.

Duration Time

Duration	1 Battery	2 Batteries (not included)
Fan Hi Speed	2.5-3 Hours	5-6 Hours
Fan Low Speed	3.5-4 Hours	7-8 Hours
Radio	30 Hours	60 Hours

Operation

A. Rechargeable Fan with High-Low Speed

1. Place the fan high-low speed selector (feature No. 1) in “HIGH” or “LOW” speed position.
2. Turn the fan oscillating control switch (feature No. 10) to right position for start oscillating.
3. Turn the fan oscillating control switch (feature No. 10) to left position for stop oscillating.

B. Radio Section

- AM Radio

Frequently range: 540 KHz-1600 KHz

- FM Radio

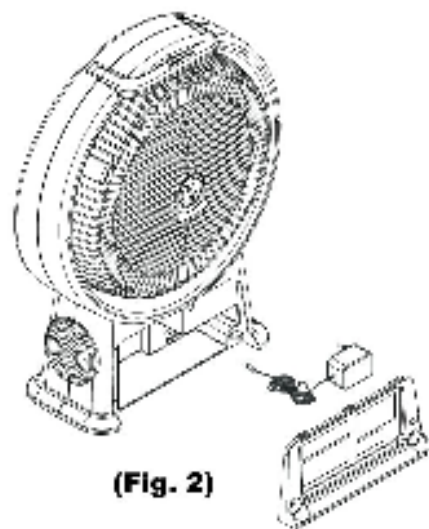
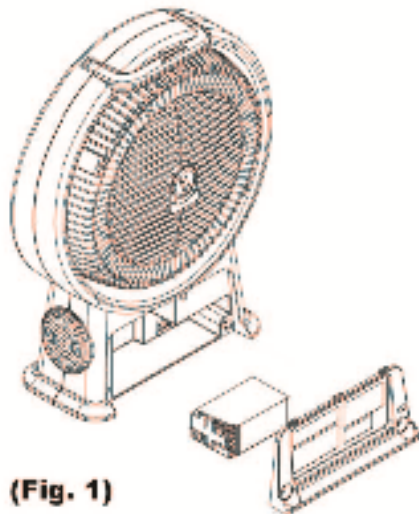
Frequently range: 88MHz-108MHz

1. Place the AM/FM selector (Feature No. 6) in AM or FM position for modulation select.
2. Adjust the volume control (Feature No. 5) to give the desired level of sound.
3. Select desired radio station by adjusts the tuning (Feature No. 7).

Charging the Battery (see fig. 2)

CAUTION: Before recharging, please make sure the fan selector (Feature No. 1) must be in “OFF” position.

1. Use the AC adaptor (Feature No. 14) connect the DC jack (Feature No. 15) and AC power source for charging.
2. Charging indicator (Feature No. 2) turns on showing the battery is under charging.
3. Normal charging time for maximum is approximate 15 hours for one battery, 24 hours for hours for two batteries.



NOTE: The fan with a special built-in circuit protects the battery from being overcharged and discharged.

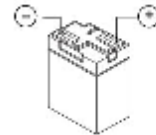
- a. Overcharge protection
The rechargeable fan will automatically stop charging when the battery power in high level.
- b. Discharge protection
The rechargeable fan will automatically switched off when the battery power in low level

Replacing the Battery (see fig. 1)

1. Release the battery cover release lock (Feature No. 9) at the back of rechargeable fan.
2. Open the battery door (Feature No. 12) then replace with new battery and reassemble in reverse procedures.

WARNING FOR THE RECHARGEABLE BATTERY

1. This rechargeable fan is only applicable for charging the sealed lead-acid battery 6V 4Ah or 6V 4.5Ah (RB640C or RB645C). Do not charge with different types or non-rechargeable batteries.
2. During using or recharging the battery, the appliance must be place in a well ventilated area.
3. The orientation of the battery refers to polarity battery contact (+) & (-). Do not short circuit, put into fire or avoid reverse charging.
4. Regarding safe disposal of used batteries, insert the batteries into battery compartment according to battery polarity.
5. The leak of acid of the battery must be removed from the appliance carefully. The battery must be recycled or disposed of properly.
6. The battery must be removed from the appliance before it is scrapped.
7. The battery must safely disposed by putting into battery compartment with cover.
8. The appliance must be disconnected from power supply before removing the battery.



Maintenance

1. Use a small cotton swab with cleaning alcohol to clean the plastics.
2. Release the front cover (Feature No. 3) to clean up the fan blade.
3. Never use strong or voltaic chemicals to clean the unit as it may damage the plastic parts.

IMPORTANT NOTE

1. Please read the instruction manual carefully before operates the rechargeable fan unit.
2. To ensure that the electric rating of power supply before plugging into AC power source.
3. Please keep always recharge when the fan slows down.
4. To ensure that the fan selector (Feature No.1) must be in OFF position when not in use.
5. The efficiency may decrease:
 - a) When the battery is used to the end without recharging.
 - b) When the battery is recharged at the temperature below 32°F (0°C) or above 104°F(40°C).
6. Please keep out of reach of water or rain for proper use.
7. After charging, unplug the AC adaptor from power source.
8. Keep recharging the lead-acid battery every three months if you are not in use, otherwise the lead-acid battery may be damaged.
9. Switch off all functions when you are charging the lead-acid battery, otherwise you will get lower efficiency of charging.
10. During operation, when the lead-acid battery turns into discharge protection, charge it (not less than 20 hours) immediately. Otherwise, it may be damaged.
11. This unit is for indoor use only.
12. This appliance is not intended for use by persons (including children) with reduced physical, sensory or mental capabilities or lack of experience and knowledge unless they have been given supervision or instruction concerning use of the appliance by a person responsible or their safety.
13. The appliance is not to be used in locations where flammable vapour or explosive dust is likely to exist. Prevent flames and sparks.
14. The unit must be positioned so that the plug is accessible.

INDOOR USE ONLY



The lightning with arrowhead symbol, within an equilateral triangle, is intended to alert the user to the presence of uninsulated, "dangerous voltage" within the product's enclosure that may be of sufficient magnitude to constitute a risk of electric shock to persons.



The exclamation point within an equilateral triangle is intended to alert the user to the presence of important operating and maintenance (servicing) instructions in the literature accompanying the appliance.

WARNING: TO REDUCE THE RISK OF FIRE OF ELECTRIC SHOCK,
DO NOT EXPOSE THIS APPLIANCE UNDER THE RAIN OR MOISTURE.