



COFFEEBOXX™
Single Cup Brewing System

User Guide

Important Safeguards

(continued on next page)

WARNING

To reduce the risk of fire, electric shock or other injury, read and follow the safety precautions and instructions in this User Guide.

Save these instructions for future reference.

When using electrical appliances, basic precautions should always be followed. Failure to do so might void warranty and cause damage to property as well as result in serious injury or death.

1. Read and understand all user guide instructions before using.
2. Do not use this appliance for anything other than its intended use.
3. Make sure that your outlet voltage corresponds to the voltage stated on the rating label of this appliance.
4. To protect against fire, electric shock and injury to persons, do not immerse the appliance, cord or plug in water or other liquids.
5. Close supervision is necessary when any appliance is used near children.
6. Unplug from outlet when not in use and before cleaning. Allow to cool before taking parts on or off and before cleaning the machine.
7. Do not operate any appliance with a damaged cord or plug or after the appliance malfunctions or has been damaged in any manner.
8. The use of accessories not recommended by the appliance manufacturer may result in fire, electric shock or injury.
9. Store indoors in a dry, controlled environment when not in use.
10. Do not let the cord hang over the edge of table or counter, or touch a hot surface.
11. Do not place appliance on or near a hot gas or electric burner, or in a heated oven.
12. Be careful when using as the machine dispenses very hot water.
13. Only fill the tank with clean and cold water. Never fill the tank with mineral water, milk or other liquids.
14. To disconnect appliance from a wall outlet, always hold the plug. Never pull the cord.
15. Do not touch hot surfaces with your hands, use only handles.
16. Do not leave the appliance unattended when it is on.
17. Do not operate or store this appliance in environments below 32°F (0°C).
18. This appliance is not intended for use by persons with reduced physical, sensory or mental capabilities, or lack of experience and knowledge, unless they are being supervised or have been given instruction concerning use of the appliance by a person responsible for their safety.
19. Children should not use or play with the appliance.
20. Do not operate the appliance without liquid.
21. Never reuse coffee capsules. Dispose of after use.
22. Do not expose the appliance to water while plugged in.
23. For indoor and outdoor use.
24. Do not allow water in water tank to freeze. Doing so may cause damage to your machine and may void the warranty.
25. To reduce the risk of fire or electric shock, do not remove any covers. There are no user serviceable parts inside the appliance. Only authorized personnel should repair the appliance.

Product Specifications

- Compatible with all K-Cup® pods
- 120V AC, 60Hz, 1450 Watts
- 11" L X 9" W X 11.5" H
- 12 Lbs empty
- 2.5L / 84.5 oz water tank

Cord Instructions

This appliance is fitted with a short power supply cord to reduce the risk of entanglement or tripping that might occur with a longer cord. Do not drape the cord over a counter top or table top where it can be pulled by a child or become a tripping hazard. Care should be used to keep the connection dry and off the ground.

If an extension cord is used, 1) the marked electrical rating should be at least as great as the electrical rating of the appliance; 2) the extension cord must have 3-prong grounding plug; 3) it should be arranged so that it will not drape over the counter top or table top where it can be pulled on by children or tripped over; 4) it should be suitable for outdoor use and marked with the suffix letter "W" and labeled "Suitable for use with outdoor appliances".

EXTENSION CORD LENGTH	WIRE GAUGE
25ft. (7.6m)	16 Gauge (light duty)
50ft. (15.2m)	16 Gauge (light duty)
100ft. (30.5m)	14 Gauge (medium duty)

Minimum Gauge Requirements for Extension Cords

When using an extension cord, it's important to choose the correct size for safe and proper performance of the machine. Use a 3-prong grounded plug and make sure the electrical rating of the extension cord is at least as great as the electrical rating of the machine.



Intertek



User Guide Content

Get to Know Your Machine	8.
Setting Up the Machine	12.
Using the Machine	16.
Cleaning & Maintenance	20.
Troubleshooting	24.
Warranty	26.





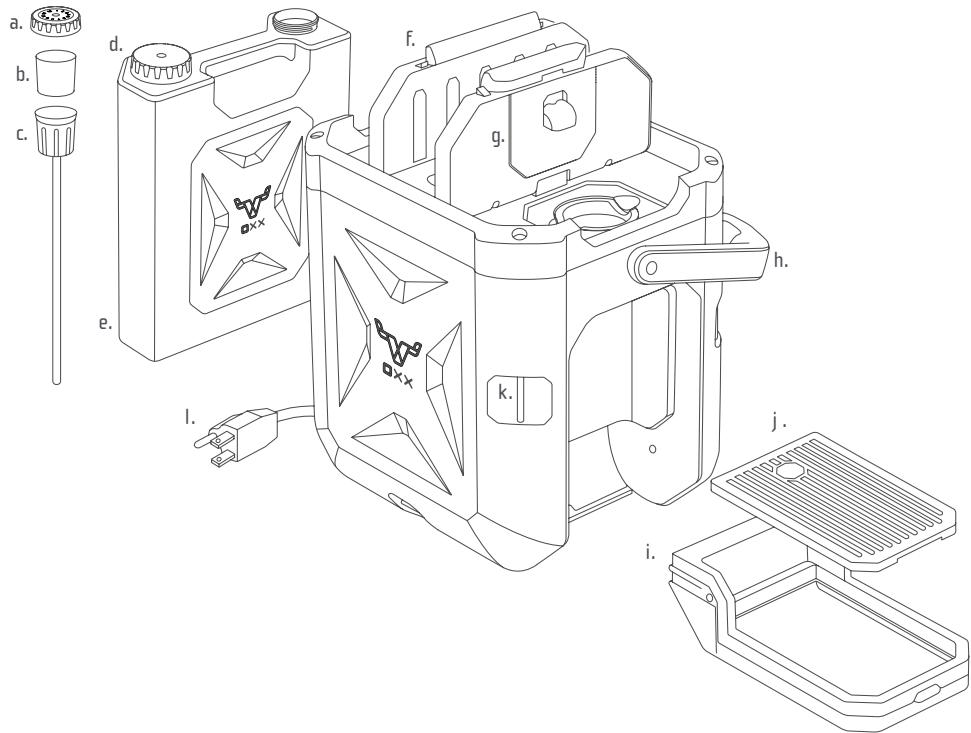




Get to Know
Your Machine

Machine Overview

- a. Water Filter Cap
- b. Water Filter
- c. Water Filter Holder
- d. Water Tank Cap
- e. Water Tank (2.5L)
- f. Water Tank Compartment Door
- g. Brewing Compartment Door
- h. Handle
- i. Drip Tray
- j. Removable Grate
- k. Tie Down Anchor
- l. Power Cord



Control Panel Overview

- | | | |
|-----------------------------|-----------------------------|-----------------------------|
| a. Power Button | d. Descale Indicator | g. 8 oz. Cup Button |
| b. Heating Indicator | e. Brew Button | h. 10 oz. Cup Button |
| c. Refill Indicator | f. Hot Water Button | i. 12 oz. Cup Button |

a.



b.



heating

c.



refill

d.



descale

e.



brew

f.



water

g.



h.

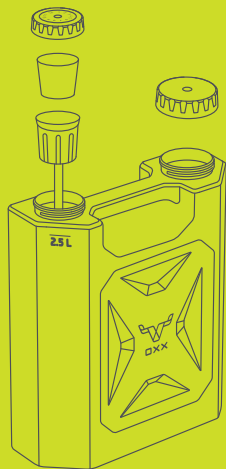


i.



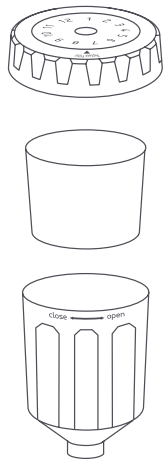


Setting Up the Machine



Cleaning the Water Tank

Remove the Water Tank. Remove the Water Filter package from inside the Water Tank and set aside. Open the Caps and Water Filter Holder. Clean the Water Tank and all the parts with mild soap and water.

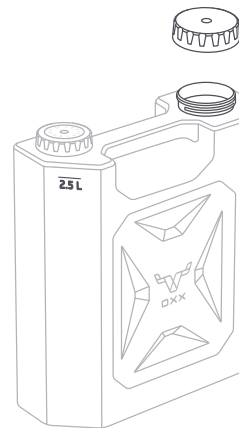


Preparing the Water Filter

Remove the Water Filter from the package and rinse the Water Filter with fresh water for 1 minute. Place it into the Water Filter Holder and replace the Water Filter Cap. Then replace the Water Filter Cap onto the Water Tank.

Note: The Water Filter should be replaced every 3 months to ensure the best tasting, purest coffee. Use the Filter Replacement Reminder as a convenient way to remember.

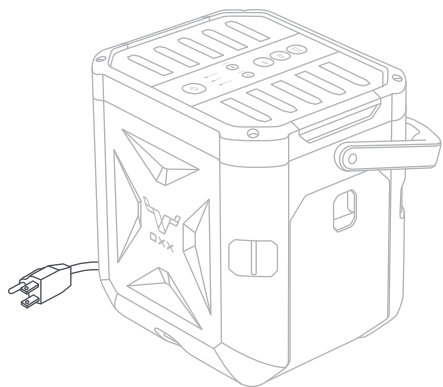
(continued on next page)



Filling the Water Tank

Fill the Water Tank to the Maximum Fill Line (2.5 L). Replace the Water Tank Cap and set the Water Tank in the machine.

Note: It is very important to make sure both Caps and Water Filter Holder are sealed tightly.

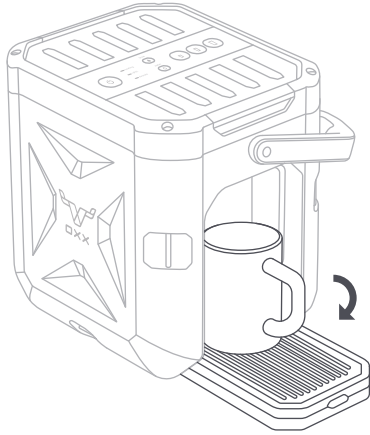


Turning the Machine On

Plug the machine into an outlet and press the Power Button.

Note: Be sure to push the Water Tank Compartment Door firmly closed to ensure a good connection.

The Heating Indicator will remain on until operating temperature is reached. Once the machine is ready all three Cup Size Buttons will begin to blink.



Opening the Drip Tray

Lower the Drip Tray and place coffee cup (8 oz. minimum) toward the back of the Drip Tray.



Flushing the Brewing System

Make sure the Brew Button is lit and press the 8 oz. Cup Button (the smallest cup). Water will begin to flush through the brewing system. Once the cycle is complete, the Cup Size Buttons will begin to blink. Discard the water from the cup and repeat 3 more times.

Note: We recommend that you flush the machine before the first use, after a month of consistent use, and after 2 weeks of non-use.

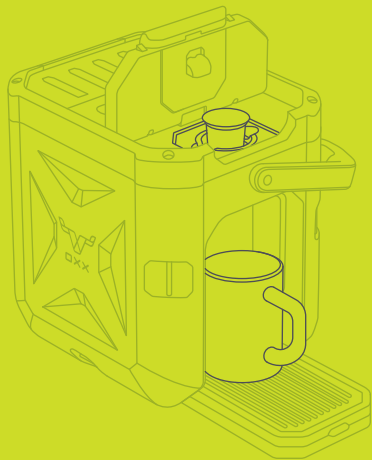


Flushing the Hot Water Dispenser

Press the Hot Water Button and then the 8 oz. Cup Button. Water will begin to flush through the hot water system. Once the cycle is complete, the Cup Size Buttons will begin to blink. Discard the water from the cup and repeat 3 more times. Your machine is now ready for use.



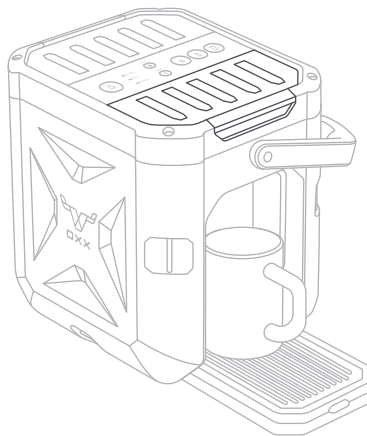
Using the Machine



Placing the K-Cup® in the Brewing Compartment

Open the Brewing Compartment and set a K-Cup® inside the K-Cup® Holder. Place coffee cup toward the back of the Drip Tray.

CAUTION: Be careful as there is a sharp needle at the bottom of the K-Cup® Holder.



Starting the Brewing Cycle

To start the brewing cycle, close the Brewing Compartment and make sure the Brew Button is lit. Press the desired cup size button (8, 10, or 12 oz.). The selected Cup Size Button will remain on until the brewing cycle is complete.

At this time the machine will be ready to brew the next cup, and all Cup Size Buttons will begin to blink.



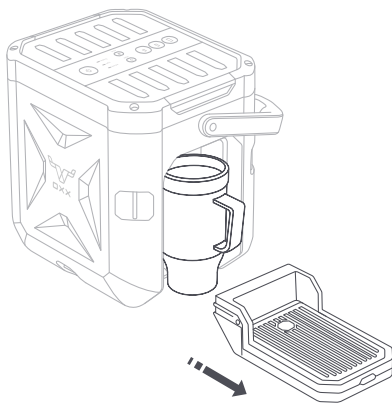
CAUTION: To reduce the risk of injury from steam and hot water, do not open the Brewing Compartment during the brewing cycle. The Cup Size Buttons will begin to flash when the brewing cycle is complete.



Dispensing Hot Water

Your machine can also dispense hot water. It uses a separate dispensing system to ensure your water is clean and fresh. Press the Hot Water Button followed by the desired cup size button.

CAUTION: To reduce the risk of injury from steam and hot water, do not open the Brewing Compartment during the brewing cycle. The Cup Size Buttons will begin to flash when the brewing cycle is complete.



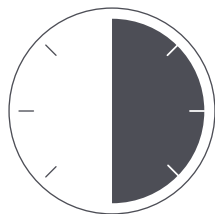
Using Larger Travel Mugs

Remove the Drip Tray to make room for larger travel mugs. To do this, lower the Drip Tray to its fully open position and slide straight out.



Pausing & Restarting the Brewing Cycle

During the brewing cycle, your selected Cup Size Button will remain on. You can pause the brewing cycle by pressing the Cup Size Button again. The selected Cup Size Button will blink while the machine is paused. To restart the brewing cycle, press the cup size button again.



Canceling the Brewing Cycle

Press the Brew Button at any time during the brewing cycle to cancel.

Auto-Off Timer

The machine will automatically shut off after 30 minutes of non-use.

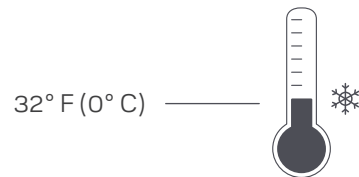
Not for Use with Cocoa or Powdered Drink Capsules

Warning: Do not brew Hot Cocoa or powdered drink capsules in the COFFEEBOX.

We recommend making hot cocoa by using tear packets and the direct hot water line.



Cleaning & Maintenance



Cleaning External Parts

Unplug the machine before cleaning. Clean the Brewing Compartment, Drip Tray Compartment and other external parts with a non-abrasive, soapy, damp cloth.

CAUTION: To minimize the risk of electric shock, the machine should be unplugged when it is being cleaned and should never be submerged in water.

Cleaning the Drip Tray

To clean the Removable Grate, use the large hole to remove it from the Drip Tray.

The Drip Tray and Removable Grate are dishwasher safe. Place on the top rack of the dishwasher. There is a drain hole on the rear of the Drip Tray to allow any water inside to drain.

Cleaning the Water Tank

Unplug the machine, remove the Water Tank, and remove the Water Filter from the Water Tank. Clean all the Water Tank parts with a soft brush or non-abrasive cloth in warm, soapy water. Air-dry the Water Tank after cleaning.

Unclogging the K-Cup® Holder

The spout of the K-Cup® holder may become clogged with coffee grinds and residue. Use a toothpick or small tool to clear the spout of any debris.

CAUTION: Avoid touching the needle at the bottom of the K-Cup® Holder.

Do Not Allow Water to Freeze in the Water Tank.

Use care in cold weather. Allowing water to freeze in the tank may damage the machine.

Storing the Machine

Store machine in a dry, controlled environment. Always empty the Water Tank and allow it to completely air-dry prior to storage. Follow the directions for flushing the machine on page 13 when you are ready to use it again after storing for more than 2 weeks.

Descaling

Descale every 3 months and/or after the Descaling Indicator turns on. Descaling helps remove calcium deposits, called scale, that can build up inside the machine. You may need to descale more frequently if the water in your area has higher mineral content. Regular descaling is important to ensure the proper performance of your machine.

To Descale:

1. Remove the Water Filter and fill the Water Tank with 1 liter of descaling agent or undiluted white vinegar. If using descaling agent, refer to its instructions for descaling steps.
2. Place the Water Tank back in the machine.
3. Place a large coffee cup (8 oz. minimum) toward the back of the Drip Tray.
4. Make sure the Brew Button is lit and there is no K-Cup® in the Brewing Compartment.
5. Press the 8 oz. Cup Button to run a descaling cycle. Discard the liquid when finished.
6. Run additional descaling cycles until the Water Tank is empty. Allow the machine to sit for 1 hour.
7. Empty the Water Tank and rinse thoroughly with warm water. Fill with fresh water.
8. Run 5 brewing cycles without a K-Cup to flush the system. If you notice a residual taste, perform additional brewing cycles.
9. If the Hot Water dispenser is used frequently, then press the Hot Water Button and repeat steps 1-8.
10. Replace the Water Filter. Your machine is now ready to use again.

Resetting the Descale Indicator

To reset the Descale Indicator press and hold the Brew Button for 5 seconds.





Troubleshooting

The Machine Does Not Turn On

- Make sure the Power Cord is plugged in securely.
- Make sure the outlet has power.

The Brewing Cycle Won't Start

- Check that the machine is turned on and has power.
- Make sure the Brewing Compartment Door is closed completely.



Machine Alert Status

The Machine Alert Status will let you know there is an error with the water supply. The 3 red indicators will begin flashing (pictured above).

- Make sure the Water Tank Compartment Door is closed completely.
- Make sure there are no obstructions inside the Water Tank Compartment preventing the Water Tank from seating completely.
- Check that the Water Filter Cap and Water Tank Cap are seated completely on the Water Tank.
- Check that the Water Filter is free from clogs. Clear the metal mesh in the filter holder.
- Clean the Water Filter Cap connection.
- Check that the Water Filter Cap and Water Filter Holder are tightly connected.

Longer Than Normal Brewing Time

- Descal the machine. Follow the Descaling instructions on page 20.

The Coffee Tastes Bad

- Check that the coffee is fresh.
- Flush the brewing system.
- Clean the Water Tank and fill with fresh water. Consider using bottled or filtered water.
- Clean the K-Cup® Holder.

The Coffee Tastes Weak

- Select a smaller cup size to brew stronger coffee.

The Descal Indicator Is On

- Descal the machine. Follow the instructions on page 20.
- Reset the descale indicator. Follow the instructions on page 20.

The Brewing Cycle Starts, but Coffee/Water Flow is Inconsistent

- Make sure the K-Cup holder is seated completely.
- Inspect the K-Cup Holder for obstructions. use a toothpick to dislodge any foreign objects.
- Make sure the Water Tank Compartment door is closed completely.
- Make sure there are no obstructions inside the Water Tank Compartment preventing the Water Tank from seating completely.
- Check that the Water Filter Cap and Water Tank Cap are seated completely on the Water Tank.
- Check that the Water Filter is free from clogs. Clear the metal mesh in the filter holder.
- Clean the Water Filter Cap connection.
- Check that the Water Filter Cap and Water Filter Holder are tightly connected.

Coffee Splashes in the Cup

- Use a taller cup or thermos to prevent splashing.

Note: If the issue persists please call the OXX Customer Call Center at 1-866-233-4714



Warranty

One Year Limited Warranty

OXX warrants that your OXX appliance will be free of defects in materials or workmanship under normal use for one year from the date of purchase. OXX will, at its option, repair or replace the OXX appliance without charge upon its receipt of proof of the date of purchase. If a replacement OXX appliance is necessary, the replacement appliance may be new or reconditioned. If a replacement appliance is provided, it will carry a 1-Year Limited Warranty from the date of shipment. OXX will cover all shipping costs for authorized returns.

This warranty only applies to OXX appliances purchased and operated in the United States and Canada. This warranty gives you specific legal rights, and you may also have other rights that vary depending on your state or province.

This OXX warranty applies to all OXX appliances and accessories. For a copy of this warranty, please log on to www.OXX.com or contact our Customer Call Center toll free number at 1-866-233-4714.

What is not Covered by the Limited Warranty

THIS WARRANTY DOES NOT COVER CONSEQUENTIAL OR INCIDENTAL DAMAGES SUCH AS PROPERTY DAMAGE AND DOES NOT COVER INCIDENTAL COSTS AND EXPENSES RESULTING FROM ANY BREACH OF THIS WARRANTY, EVEN IF FORESEEABLE.

Some states or Provinces do not allow the exclusion or limitations of incidental or consequential damages, so the above limitation or exclusion may not apply to you depending on the state or Province of purchase.

Nor does this warranty cover damages caused by services performed by anyone other than OXX or its authorized service providers, use of parts other than genuine OXX parts, or external causes such as abuse, misuse, including commercial use (overusage), inappropriate power supply or acts of God.

Other Limitations

THIS WARRANTY IS EXCLUSIVE AND IS IN LIEU OF ANY OTHER EXPRESS WARRANTY, WHETHER WRITTEN OR ORAL. THE DURATION OF ANY IMPLIED WARRANTIES, INCLUDING BUT NOT LIMITED TO ANY IMPLIED WARRANTIES OF MERCHANTABILITY OR FITNESS FOR A PARTICULAR PURPOSE, IS EXPRESSLY LIMITED TO THE PERIOD OF DURATION OF THIS LIMITED WARRANTY. Some states or provinces do not allow limitations on how long an implied warranty lasts, so the above limitation may not apply to you depending on the state or the province of purchase.

Obtaining Limited Warranty Service

OXX branded products, with proper care, are intended to provide years of satisfying performance. However, should the need arise for warranty servicing, simply call OXX Consumer Call Center toll free at 1-866-233-4714.

Please do not return an OXX product for servicing without first speaking to an OXX Customer Call Center operator to obtain a Return Authorization (RA) number. OXX products sent without an RA number will be returned to the sender without servicing.

Registering Your Product

Registering the product helps the warranty process. Please visit www.OXX.com to register your product and learn more about OXX.



OXX builds premium products for people who work and play outside. We build for the most extreme situations, so that our products out-perform people's expectations in any situation.

