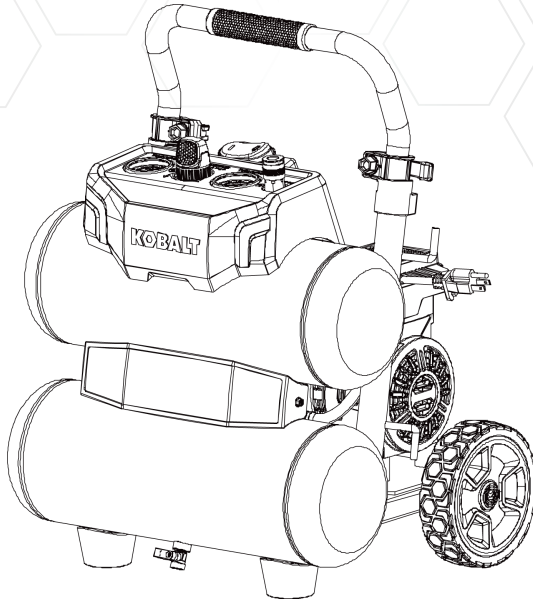


# KOBALT®



ITEM #0790117

## 4.3 GAL QUIET TECH AIR COMPRESSOR

MODEL #3320446

Français p. 13

Español p. 25

KOBALT® and the K Design® are registered trademarks of LF, LLC. All Rights Reserved.

---

**ATTACH YOUR RECEIPT HERE**

**Serial Number** \_\_\_\_\_ **Purchase Date** \_\_\_\_\_



**Questions, problems, missing parts?** Before returning to your retailer, call our customer service department at 1-888-3KOBALT (1-888-356-2258), 8 a.m. - 8 p.m., EST, Monday - Friday.

AB16351

## TABLE OF CONTENTS

---

Specifications .....	2
Package Contents .....	3
Parts Description.....	4
Safety Information.....	5
Preparation .....	6
Operating Instructions .....	7
Care and Maintenance.....	8
Troubleshooting .....	9
Warranty .....	11
Replacement Parts List .....	12

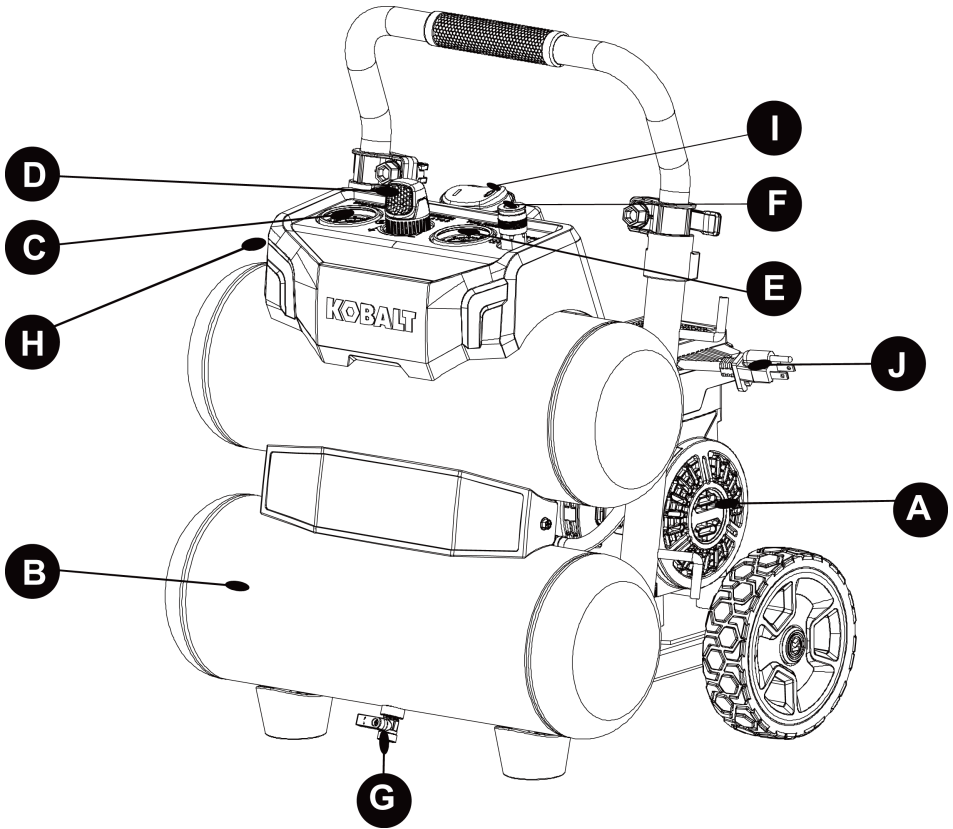
## PRODUCT SPECIFICATIONS

---

Model No.	3320446
Pump	Oil free, direct drive, single stage
Motor	1.0 HP
Voltage/Amps/Hz	120 / 7.5 / 60
Air Tank Capacity	4.3 gallon
Cut-in Pressure	120 PSI
Cut-out Pressure	150 PSI
CFM @ 40 PSI	3.3
CFM @ 90 PSI	2.4
Power Cord	SJT 18 AWG / 72 in. length

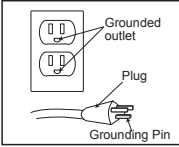
**NOTE:** Avoid use of extension cords. If use of an extension cord cannot be avoided, the cord should be a minimum wire size of 14 AWG and no longer than 100 ft. Use only a 3-wire extension cord that has a 3-blade grounding plug and a 3-slot receptacle that will accept the plug on the product.

**PACKAGE CONTENTS**



PART	DESCRIPTION	QTY
A	Electric Motor & Air Compressor Pump	1
B	Air Tank	2
C	Tank Pressure Gauge	1
D	Air Pressure Regulator	1
E	Regulated Pressure Gauge	1
F	1/4 in. NPT Quick Coupler	1
G	Air Tank Drain Valve	1
H	Pressure Relief Valve	1
I	ON/OFF Switch	1
J	Power Cord	1

## PARTS DESCRIPTION

PART	PART NAME	PART DESCRIPTION
A	Electric Motor  Air Compressor Pump	The motor is used to power the pump. It contains a thermal overload protector. If the motor overheats for any reason, the thermal overload protector will shut it down in order to prevent the motor from being damaged.  The pump is used to compress the air and discharge it into the tank via the piston moving up and down in the cylinder.
B	Air Tank	The tank is used to store the compressed air.
C	Tank Pressure Gauge	The gauge is used to measure the stored air pressure level of the tank. It is not adjustable by the operator and does not indicate line pressure.
D	Air Pressure Regulator	The regulator is used to adjust line pressure to the tool you are using. Turn the knob clockwise to increase pressure and counterclockwise to decrease pressure.
E	Regulated Pressure Gauge	The gauge is used to measure the regulated outlet pressure.
F	Quick Coupler	For this compressor, the quick coupler is also used as the air line outlet. The outlet is used to connect the 1/4 in. air hose.
G	Air Tank Drain Valve	The drain valve is used to remove moisture from the air tank after the unit is shut off.
H	Pressure Relief Valve	The valve is used to prevent system failures by relieving pressure from the system. If the pressure reaches the preset level and the pressure switch will not shut down the motor, it will automatically pop open. You can also pull the ring on the valve to open.
I	On/Off Switch	This switch turns on the compressor and is operated manually. When in the ON position, it allows the compressor to start up or shut down automatically, without warning, upon air demand. ALWAYS set this switch to OFF when the compressor is not being used and before unplugging the compressor.
J	Power Cord	This product is for use on a nominal 120-volt circuit and should be grounded. A cord with a grounding plug as illustrated must be used. Make sure that the product is connected to an outlet that has the same configuration as the plug. No adapter should be used with this product.  

## SAFETY INFORMATION

---

Please read and understand this entire manual before attempting to assemble, operate or install the product. If you have any questions regarding the product, please call customer service at 1-888-3KOBALT, 8 a.m. - 8 p.m., EST, Monday - Friday.

### Safety Symbols

The purpose of safety symbols is to attract your attention to possible dangers. The safety symbols and the explanations that accompany them deserve your careful attention and understanding. The safety warnings DO NOT, by themselves, eliminate any danger. They are not substitutes for proper accident-prevention measures.

### User Safety

#### DANGER

Improper installation of the grounding plug will result in a risk of electric shock. If repair or replacement of the cord or plug is necessary, do not connect the grounding wire to either flat blade terminal. The grounding wire has a green outer surface.

#### WARNING

- Risk of explosion or fire. Never spray flammable liquids in a confined area. It is normal for the motor and pressure switch to produce sparks while operating. If sparks come into contact with vapors from gasoline or other solvents, they may ignite and cause a fire or explosion. Do not smoke while spraying. Do not spray where sparks or flames are present. Keep the compressor as far from the spray area as possible. Always operate the compressor in a well-ventilated area.
- Risk of electric shock. A licensed electrician must install all wiring in accordance with all local and national codes. To avoid electric shock, never use an electric air compressor outdoors when it is raining or on a wet surface.
- Risk of bursting. Rust can weaken the tank. Drain the condensed water from the tank after each use to reduce rusting. Do not weld, drill or modify the air tank of this compressor. Welding or modifications on the air tank can severely impair tank strength and cause an extremely hazardous condition. If a leak is detected in the tank, replace the tank immediately.
- Risk of injury. Always shut off the compressor, remove the plug from the outlet and bleed all pressure from the system before servicing the compressor or when the compressor is not in use. Do not use the unit with the shrouds removed. Contact with moving parts could cause serious injury.
- Risk of bursting. Check the maximum pressure rating in the manual or the serial tag label. Compressor outlet pressure must be regulated so as to never exceed the maximum pressure rating. Relieve all pressure through the hose before removing or attaching accessories.
- Risk of bursting. Do not adjust the pressure switch or relief valve for any reason. They have been preset at the factory for the maximum pressure of this unit. If the pressure switch or the relief valve are tampered with, personal injury or property damage may occur.
- Risk of burns. The pump and manifold generate high temperatures. To avoid burns or other injuries, do not touch the pump, manifold or transfer tube while the unit is running. Allow the parts to cool before handling or servicing. Keep children away from the compressor at all times.

## SAFETY INFORMATION


- Risk to breathing. Read all labels when you are spraying paints or toxic materials, and follow the safety instructions. Use a respirator mask if there is a chance of inhaling anything you are spraying. Never directly inhale the compressed air produced by a compressor.
- Risk of eye injury. Always wear ANSI 287.1 approved safety goggles when using an air compressor. Never point the nozzle or sprayer toward a person or any part of the body. If the spray penetrates the skin, serious injury may occur.
- Never exceed the maximum working pressure of the tool.
- Never attempt to open the drain valve when the tank pressure is more than 10 PSI.
- You can create dust when you cut, sand, drill or grind materials such as wood, paint, metal, concrete, cement, or other masonry. This dust often contains chemicals known to cause cancer, birth defects, or other reproductive harm. **Wear protective gear.**

### CAUTION

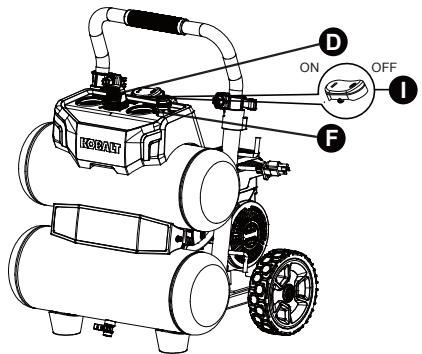
- Pull the pressure relief valve ring daily to ensure the valve is functioning properly.
- The unit must be kept a minimum of 12 in. from the nearest wall, in a well-ventilated area for cooling.
- Protect the air hose and electric cord from damage and puncture. Inspect them weekly for weak or worn spots.
- Always wear hearing protection when using an air compressor. Failure to do so may result in hearing loss.
- Operation of the unit should always be in a position that is stable. Never use the unit on a rooftop or elevated position that could allow the unit to fall or be tipped over.

## PREPARATION


### Preparing for Startup

 **WARNING:** Risk of bursting. Too much air pressure causes a hazardous risk of bursting. Check the manufacturer's maximum pressure rating for air tools and accessories. The regulator outlet pressure must never exceed the maximum pressure rating.

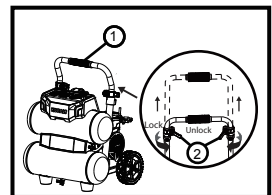
- a. Set the ON/OFF switch (I) to the off position.
- b. Turn the air pressure regulator knob (D) counterclockwise until it stops.
- c. Attach air hose/accessories or air tools (not included) to the quick coupler (F).



### Moving the Air Compressor

 **CAUTION:** To avoid personal injury, DO NOT grab only the sliding handle (1) to lift the whole unit. If you want to lift the unit, grab both the tank and sliding handle (1). Use the following instructions to use the sliding handle (1) and wheels to move the unit:

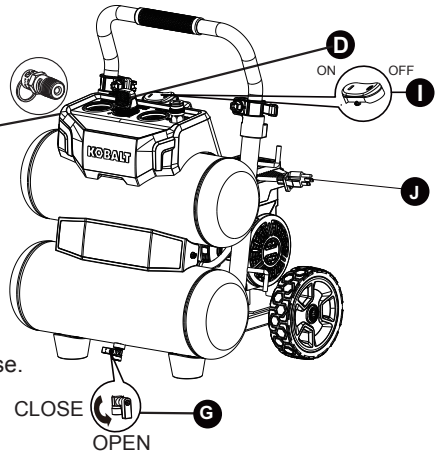
- a. Unlock the two cam locks (2) as shown in the illustration.
- b. Slide the handle (1) upward to the desired height.
- c. Lock the two cam locks (2) in place.



### 1. Starting up the Compressor

**!** **WARNING:** High temperatures are generated by the electric motor and the pump. To prevent burns or other injuries, DO NOT touch the compressor while it is running. Allow it to cool before handling or servicing. Keep children away from the compressor at all times.

**!** **WARNING:** When adjusting from a higher to a lower pressure, turn the knob counterclockwise past the desired setting. Then turn clockwise to reach the desired pressure. Do not exceed operating pressure of the tool or accessory being used.



- Close the tank drain valve (G) by turning clockwise.
- Plug in the power cord (J).
- Set the ON/OFF switch (I) to the on position and allow tank pressure to build. Motor will stop when the tank reaches “cut-out” pressure.
- Turn the air pressure regulator knob (D) clockwise until desired pressure is reached.
- The compressor is ready for use.

### 2. Shutting Down the Compressor

**!** **WARNING:** To avoid personal injury, always shut off and unplug the unit and relieve all air pressure from the system before performing any service on the air compressor.

**!** **WARNING:** Risk of unsafe operation. The unit cycles automatically when power is on. When performing maintenance, you may be exposed to voltage sources, compressed air or moving parts. Personal injuries can occur. Before performing any maintenance or repair, disconnect the power source from the compressor and bleed off all air pressure.

**!** **CAUTION:** Escaping air and moisture can propel debris that may cause eye injury. Wear safety goggles when opening the drain valve.


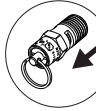
- Set the ON/OFF switch (I) to the off position.
- Unplug the power cord (J).
- Reduce the pressure in the tank through the outlet hose. Pulling the pressure relief valve ring (H) and keeping it open will also reduce the pressure in the tank.
- Tip the compressor so the tank drain valve is at the bottom of the tank, then open the tank drain valve counterclockwise to allow moisture to drain from the tank.

## CARE AND MAINTENANCE

---


**WARNING:** To avoid personal injury, always shut off and unplug the unit and relieve all air pressure from the system before performing any service on the air compressor.

Regular maintenance will ensure trouble-free operation. The items listed here should be inspected on a regular basis.

- On a daily basis, drain the tank to prevent corrosion from forming inside the tank. Drain the condensation at the end of every day. Wear protective goggles. Relieve the air pressure in the system and then open the drain valve on the bottom of the tank. 
- On a daily basis, pull the pressure relief valve to ensure that it is operating properly and to clear the valve of any possible obstructions. 
- Check all connections to ensure they are tight. A small leak from any part of the compressor will reduce the unit's performance. Spray a small amount of soapy water around the area of the suspected leak with a spray bubble. If bubbles appear, repair or replace the faulty component. Do not overtighten any connections.
- Before storing the unit for a long period, do the following:
  - Use an air blow gun (not included) to clean all dust and debris from the compressor.
  - Disconnect and coil the power cord.
  - Pull the pressure relief valve to release all pressure from the tank.
  - Drain all moisture from the tank.
  - Cover the entire unit to protect it from moisture and dust.



## TROUBLESHOOTING

PROBLEM	POSSIBLE CAUSE	CORRECTIVE ACTION
<p>There is low pressure, not enough air, or the compressor does not stop.</p>	<ol style="list-style-type: none"> <li>1. The tank drain valve is open.</li> <li>2. There is a leak in the fittings.</li> <li>3. There is a prolonged or excessive use of air.</li> <li>4. The compressor is not large enough.</li> <li>5. There is a hole in the air hose.</li> <li>6. The tank leaks.</li> <li>7. The seals are blown.</li> <li>8. The valve leaks.</li> <li>9. There is a leaking or worn piston.</li> </ol>	<ol style="list-style-type: none"> <li>1. Close the drain valve.</li> <li>2. Check fittings with soapy water. Tighten or reseal leaking fittings with thread seal tape. <b>DO NOT OVERTIGHTEN.</b></li> <li>3. Decrease the amount of air used.</li> <li>4. Check the air requirement of the accessory. If it is higher than the CFM and the pressure supplied by the compressor, you need a larger compressor. Most accessories are rated at 25% of the actual CFM while running continuously.</li> <li>5. Check and replace if necessary.</li> <li>6.  <b>WARNING:</b> Replace the compressor. <b>DO NOT</b> attempt to repair.</li> <li>7. Replace the compressor.</li> <li>8. Replace the compressor.</li> <li>9. Replace the compressor.</li> </ol>
<p>Air leaks from the regulator or the regulator does not regulate air pressure.</p>	<ol style="list-style-type: none"> <li>1. The internal parts of the regulator are dirty or damaged.</li> </ol>	<ol style="list-style-type: none"> <li>1. Replace the regulator or internal parts.</li> </ol>
<p>The regulated pressure gauge reading drops when the air accessory is being used.</p>	<ol style="list-style-type: none"> <li>1. This is normal.</li> <li>2. The compressor is not large enough.</li> </ol>	<ol style="list-style-type: none"> <li>1. If the pressure drops too low, adjust the regulator while the accessory is being used.</li> <li>2. Check the air requirement of the accessory. If it is higher than the CFM and the pressure supplied by the compressor, you need a larger compressor. Most accessories are rated at 25% of the actual CFM while running continuously.</li> </ol>

## TROUBLESHOOTING

PROBLEM	POSSIBLE CAUSE	CORRECTIVE ACTION
The pressure relief valve opens.	<ol style="list-style-type: none"> <li>1. The tank pressure exceeds the normal rating pressure.</li> <li>2. The pressure switch is stuck.</li> </ol>	<ol style="list-style-type: none"> <li>1. Replace the compressor.</li> <li>2. Replace the compressor.</li> </ol>
The motor will not run.	<ol style="list-style-type: none"> <li>1. Tank pressure exceeds the preset pressure switch limit.</li> <li>2. The fuse is blown or the circuit breaker tripped.</li> <li>3. The check valve is stuck in the open position.</li> <li>4. The wire gauge in the cord is wrong or the extension cord length is excessive.</li> <li>5. There are loose electrical connections.</li> <li>6. The motor's thermal overload protection has tripped.</li> <li>7. The motor or capacitor is defective.</li> </ol>	<ol style="list-style-type: none"> <li>1. The motor will start automatically when the tank pressure drops below the tank cut-in pressure.</li> <li>2. Replace the blown fuse or reset the circuit breaker. Do not use a fuse or circuit breaker with a higher rating than specified for your branch circuit. Check for proper fuse; type T fuse is acceptable. Check for low voltage and proper extension cord size. Disconnect other applications from the circuit. Operate the compressor on a dedicated circuit.</li> <li>3. Remove and clean or replace.</li> <li>4. Check for proper gauge (16 AWG) and extension cord length (30 ft.).</li> <li>5. Contact customer service.</li> <li>6. Turn the air compressor off, unplug the power cord and wait until the motor has cooled down. Plug in the power cord only after the motor has cooled down, waiting at least five minutes to make sure the thermal overload protector has recovered.</li> <li>7. Have the compressor serviced by a qualified technician.</li> </ol>

### **THREE YEAR LIMITED WARRANTY**

---

This product is guaranteed for a period of three year from the date of original retail purchase against defects in materials and workmanship.

Subject to the conditions and limitations described below, this product, if returned to us with proof of purchase within the stated warranty period and if covered under this warranty, be repaired or replaced (with the same model, or one of equal value or specification), at our option. We will bear the cost of any repair or replacement and any cost of labor relating thereto.

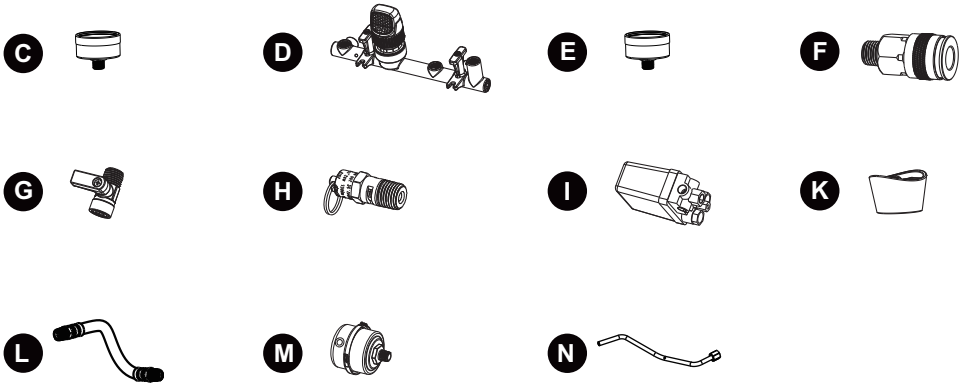
**This warranty is subject to the following conditions and limitations:**

- a. A bill of sale verifying the purchase and purchase date must be provided.
- b. This warranty will not apply to any product or part which is worn or broken or which has become inoperative due to abuse, misuse, accidental damage, neglect or lack of proper installation, operation or maintenance (as outlined in the applicable owner's manual or operating instructions) or which is being used for industrial, professional, commercial or rental purposes.
- c. This warranty will not apply to normal wear and tear or to expendable parts or accessories that may be supplied with the product which are expected to become inoperative or unusable after a reasonable period of use.
- d. This warranty will not apply to routine maintenance and consumable items such as, but not limited to, fuel, lubricants, vacuum bags, blades, belts, sandpaper, bits, fluids, tune-ups or adjustments.
- e. This warranty will not apply where damage is caused by repairs made or attempted by others (i.e. persons not authorized by the manufacturer).
- f. This warranty will not apply to any product that was sold to the original purchaser as a reconditioned or refurbished product (unless otherwise specified in writing).
- g. This warranty will not apply to any product or part thereof if any part from another manufacturer is installed therein or any repairs or alterations have been made or attempted by unauthorized persons.
- h. This warranty will not apply to normal deterioration of the exterior finish, such as, but not limited to, scratches, dents, paint chips, or to any corrosion or discoloring by heat, and abrasive chemical cleaners.
- i. This warranty will not apply to component parts sold by and identified as the product of another company, which shall be covered under the product manufacturer warranty, if any.

This warranty will not apply to any product that was sold to the original purchaser as a reconditioned or refurbished product (unless otherwise specified in writing).

## REPLACEMENT PARTS LIST

For replacement parts, call our customer service department at 1-888-3KOBALT,  
8 a.m. - 8 p.m., EST, Monday - Friday.

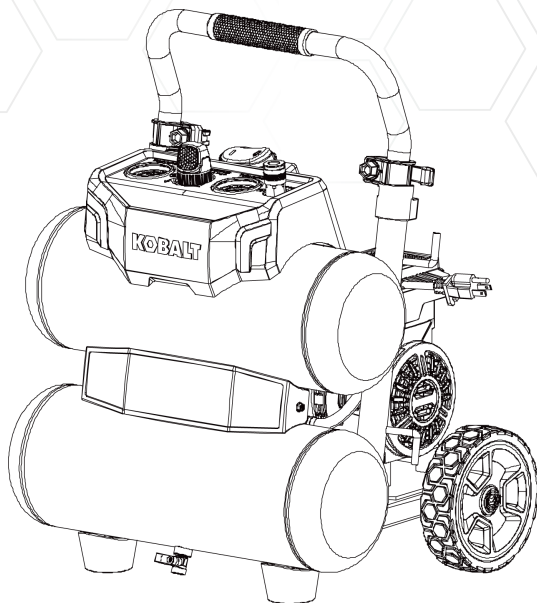


PART	PART NAME	PART#
C	Tank Pressure Gauge	TAPGAX.50.01
D	Air Pressure Regulator	TAVA01.RE.20
E	Regulated Pressure Gauge	TAPGAX.50.01
F	Quick Coupler	TATF03.01.01
G	Drain Valve	TAVA02.DV.03
H	Safety Valve	TAVA01.SV.01

PART	PART NAME	PART#
I	Pressure Switch	TASWPS.00.11
K	Rubber Foot	TARP01.01.05
L	Rubber Hose	TATF02.06.02
M	Air Filter	TAFI01.02.01
N	Bleeding Tube	TATF01.02.06

Printed in China

# KOBALT®



ARTICLE #0790117

## COMPRESSEUR D'AIR QUIET TECH DE 16,27 L

MODÈLE #3320446

KOBALT® et le motif K® sont des marques de commerce déposées de LF, LLC. Tous droits réservés.

---

**JOIGNEZ VOTRE REÇU ICI**

**Numéro de série** \_\_\_\_\_ **Date d'achat** \_\_\_\_\_



Des questions, des problèmes, des pièces manquantes? Avant de retourner l'article au détaillant, appelez notre service à la clientèle au 1 888 3KOBALT(1-888-356-2258), entre 8 h et 20 h (HNE), du lundi au vendredi.

## TABLE DES MATIÈRES

---

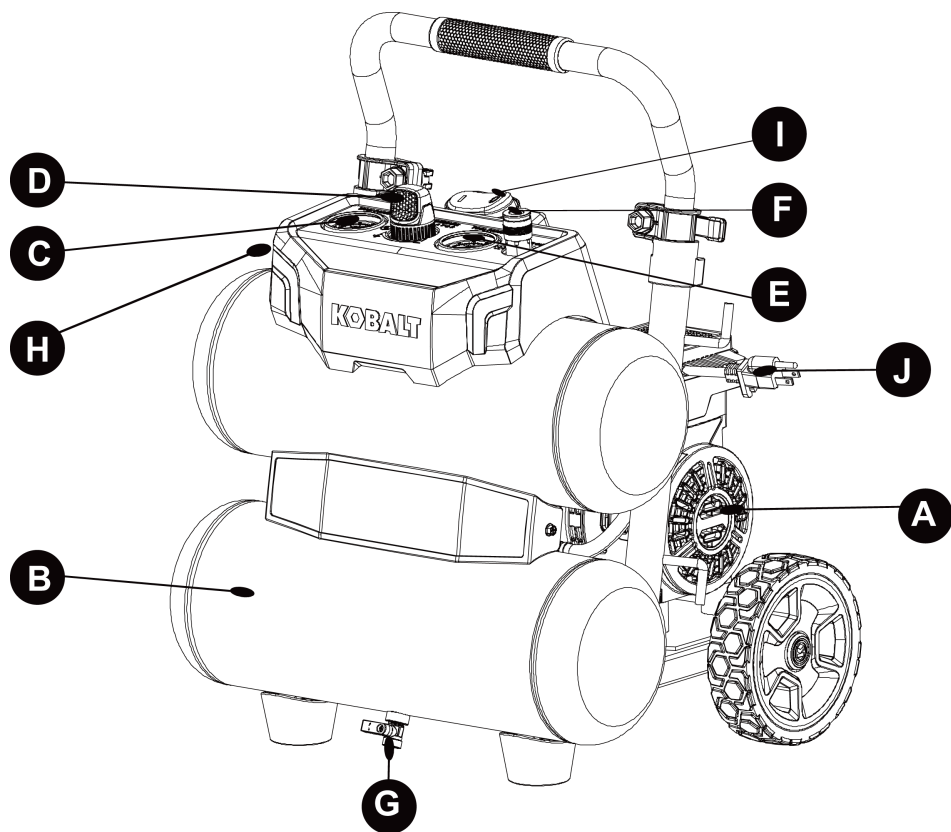
Caractéristiques-----	14
Contenu de l'emballage -----	15
Description des pièces -----	16
Consignes de sécurité -----	17
Préparation -----	18
Mode d'emploi-----	19
Entretien-----	20
Dépannage-----	21
Garantie-----	23
Liste des pièces de rechange -----	24

## CARACTÉRISTIQUES DU PRODUIT

---

N° de modèle	3320446
Pompe	sans huile, entraînement par courroie, un étage
Moteur	1,0 HP
Tension d'alimentation	120V / 7,5A / 60Hz
Capacité du réservoir	16,27 L
Point d'enclenchement	120 lb/po <sup>2</sup>
Point de déclenchement	150 lb/po <sup>2</sup>
pi <sup>3</sup> /min à 40 lb/po <sup>2</sup>	3,3
pi <sup>3</sup> /min à 90 lb/po <sup>2</sup>	2,4
Cordon d'alimentation	SJT 18 AWG/longueur de 182,88 cm

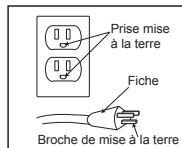
**Remarque :** Dans la mesure du possible, évitez d'utiliser une rallonge. Si vous devez en utiliser une, optez pour une rallonge d'un calibre AWG minimal de 14 et d'une longueur maximale de 30,48 m dotée d'une fiche à 3 broches avec mise à la terre, et branchez-la sur une prise tripolaire qui convient à la fiche du compresseur.



PIÈCE	DESCRIPTION	QTÉ
A	Moteur électrique et pompe de compresseur d'air	1
B	Réservoir d'air	2
C	Manomètre du réservoir	1
D	Régulateur de pression d'air	1
E	Manomètre régulé	1
F	Raccord à branchement rapide à filetage NPT de 1/4 po	1
G	Réservoir d'air Robinet de vidange	1
H	Soupape de décharge	1
I	Interrupteur	1
J	Cordon d'alimentation	1

## DESCRIPTION DES PIÈCES

PIÈCE	NOM DE LA PIÈCE	DESCRIPTION DE LA PIÈCE
A	Moteur électrique  Pompe de compresseur d'air	Le moteur sert à alimenter la pompe. Il comprend un limiteur de surcharge thermique. Ce limiteur arrête le moteur s'il surchauffe pour une raison quelconque et le protège ainsi contre les dommages. La pompe sert à comprimer l'air et à le stocker dans le réservoir par la course ascendante et descendante d'un piston dans le cylindre.
B	Réservoir d'air	Le réservoir sert à emmagasiner l'air comprimé.
C	Manomètre du réservoir	Le manomètre sert à mesurer la pression de l'air emmagasiné dans le réservoir. Vous ne pouvez pas le régler et il n'indique pas la pression de conduite.
D	Régulateur de pression d'air	Le régulateur sert à régler la pression de conduite vers l'outil utilisé. Tournez le bouton dans le sens des aiguilles d'une montre pour accroître la pression, ou dans le sens contraire des aiguilles d'une montre pour la réduire.
E	Manomètre réglé	Le manomètre sert à mesurer la pression de sortie réglée.
F	Raccord à branchement rapide	Dans ce compresseur, le raccord à branchement rapide sert également de sortie à la conduite d'air. Cette sortie sert à raccorder le tuyau à air à filetage NPT de 6,35 mm
G	Réservoir d'air Robinet de vidange	Le robinet de vidange purge l'humidité du réservoir d'air après l'arrêt de l'unité.
H	Soupape de décharge	La soupape sert à évacuer la pression de l'appareil afin de prévenir les pannes. Lorsque la pression atteint un niveau préétabli, si l'interrupteur n'a pas coupé le moteur, la soupape s'ouvre automatiquement. Vous pouvez également l'ouvrir manuellement en tirant sur son anneau.
I	Interrupteur	Cet interrupteur met en marche le compresseur et est activé manuellement. Lorsqu'il est en position de marche, le compresseur démarre et s'arrête automatiquement, sans avertissement, à la suite d'une demande d'air. Mettez toujours cet interrupteur en position d'arrêt lorsque vous n'utilisez pas le compresseur ou avant de le débrancher.
J	Cordon d'alimentation	Cet appareil doit être utilisé sur un circuit d'une tension nominale de 120 V et mis à la terre. Vous devez utiliser un cordon d'alimentation muni d'une fiche de mise à la terre. Assurez-vous de brancher l'appareil sur une prise ayant les mêmes caractéristiques que la fiche. N'utilisez pas d'adaptateur pour brancher l'appareil.





## **CONSIGNES DE SÉCURITÉ**

---

Veillez vous assurer de lire et de comprendre l'intégralité de ce manuel avant de tenter d'assembler ou d'utiliser le produit. Si vous avez des questions, veuillez communiquer avec notre service à la clientèle au 1 888 3KOBALT, entre 8 h et 20 h (HNE), du lundi au vendredi.

### **Symboles relatifs à la sécurité**

Les symboles relatifs à la sécurité servent à attirer votre attention sur les dangers possibles. Vous devez prêter une attention particulière à ces symboles ainsi qu'aux explications qui sont fournies et bien les comprendre. Pour éliminer tout danger, vous devez respecter les messages d'avertissement. Ces messages ne remplacent toutefois pas les mesures appropriées de prévention d'accidents.

### **Sécurité des utilisateurs**

#### **DANGER**

Le branchement inadéquat de la fiche de mise à la terre entraîne un risque de choc électrique. Si le cordon d'alimentation ou la fiche doivent être réparés ou remplacés, ne branchez pas le fil de mise à la terre sur une borne d'alimentation (lame). Le fil de mise à la terre est celui dont la gaine est verte.

#### **AVERTISSEMENT**

- Risque d'explosion ou d'incendie. Ne vaporisez jamais de liquides inflammables dans un espace clos. Il est normal que le moteur et que le pressostat produisent des étincelles durant le fonctionnement. Si une étincelle entre en contact avec des vapeurs d'essence ou d'autres solvants, ils peuvent s'enflammer et causer un incendie ou une explosion. Ne fumez pas pendant la vaporisation. Ne vaporisez pas en présence d'étincelles ou de flammes. Tenez le compresseur d'air aussi loin que possible de la zone de vaporisation. Faites toujours fonctionner le compresseur dans un endroit bien ventilé.
- Risque de choc électrique. Les travaux de câblage doivent être effectués par un électricien qualifié conformément à tous les codes locaux et nationaux. Afin d'éviter les chocs électriques, n'utilisez jamais un compresseur d'air électrique à l'extérieur lorsqu'il pleut ni sur une surface humide.
- Risque d'éclatement. La rouille peut abîmer le réservoir. Videz l'eau condensée du réservoir après chaque utilisation afin de réduire les risques de corrosion. Évitez de souder, de percer ou de modifier le réservoir d'air du compresseur. La soudure ou la modification du réservoir d'air peut altérer sérieusement sa résistance et engendrer des conditions extrêmement dangereuses. Si le réservoir fuit, remplacez-le immédiatement.
- Risque de blessure. Assurez-vous de toujours arrêter le compresseur, de le débrancher de la prise de courant et d'évacuer sa pression avant d'en faire l'entretien, ainsi que lorsque vous ne l'utilisez pas. N'utilisez pas l'unité lorsque le boîtier est retiré. Un contact avec des pièces en mouvement peut causer des blessures graves.
- Risque d'éclatement. Vérifiez la pression nominale maximale dans le guide ou sur l'étiquette du numéro de série. La pression de sortie du compresseur d'air doit être réglée de façon à ne jamais dépasser la pression nominale maximale. Évacuez toute la pression du tuyau avant de retirer ou de raccorder des accessoires.
- Risque d'éclatement. Ne réglez pas le pressostat ou la soupape de décharge pour quelque raison que ce soit. Ils ont été pré-réglés à l'usine en fonction de la pression maximale de ce compresseur. La modification de leur réglage pourrait causer des blessures ou des dommages matériels.
- Risque de brûlure. La pompe et le collecteur dégagent une grande chaleur. Pour éviter les brûlures ou d'autres blessures, ne touchez pas à la pompe, au collecteur ou au tube de transfert lorsque le compresseur d'air est en marche. Laissez refroidir les pièces avant de les manipuler ou d'en faire l'entretien. Gardez le compresseur hors de la portée des enfants en tout temps.

## CONSIGNES DE SÉCURITÉ

- Risque d'inhalation. Lisez toutes les étiquettes et suivez les consignes de sécurité avant de vaporiser de la peinture ou des matières toxiques. Portez un masque respiratoire s'il y a un risque d'inhalation des matières vaporisées. N'inhalez jamais directement l'air produit par un compresseur.
- Risque de blessures aux yeux. Portez toujours des lunettes de sécurité conformes à la norme ANSI 287.1 lorsque vous utilisez un compresseur d'air. Ne pointez jamais une buse ou un pulvérisateur vers une personne ou une partie du corps. Le jet peut causer des blessures graves s'il pénètre la peau.
- Ne dépassez jamais la pression d'utilisation maximale de l'outil.
- Ne tentez jamais d'ouvrir le robinet de vidange lorsque la pression du réservoir s'élève à plus de 10 lb/po2.
- Vous pouvez créer de la poussière en coupant, ponçant, perçant ou meulant les matériaux tels que le bois, la peinture, le métal, le béton, le ciment ou autre maçonnerie. Cette poussière contient souvent des produits chimiques reconnus pour causer le cancer, les déformations congénitales ou autres problèmes de la reproduction. **Porter de l'équipement de protection.**

### MISE EN GARDE

- Tirez l'anneau de la soupape de décharge chaque jour afin de vérifier si la soupape fonctionne correctement.
- Le compresseur d'air doit se trouver à au moins 30,48 cm du mur le plus près, dans un endroit bien ventilé qui assurera son refroidissement.
- Protégez le tuyau à air et le cordon d'alimentation contre les risques d'endommagement et de perforation. Vérifiez chaque semaine s'ils présentent des traces d'affaiblissement ou d'usure et remplacez-les au besoin.
- Portez toujours des protecteurs auditifs lorsque vous utilisez un compresseur d'air. La non-observance de cette consigne peut entraîner une perte auditive.
- Utilisez toujours l'unité sur une surface stable. N'utilisez jamais l'unité sur un toit ou en hauteur, car elle pourrait tomber ou se renverser.

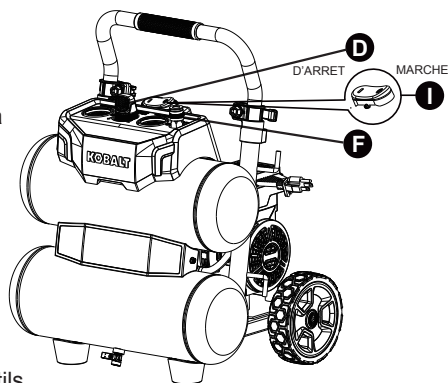
### PRÉPARATION

#### Préparation au démarrage


 **ADVERTENCIA:** Riesgo de desborde.

Demasiada presión de aire provoca peligro de explosión. Verifique el índice de presión máxima del fabricante para las herramientas neumáticas y los accesorios. La presión de salida del regulador nunca debe exceder el índice de presión máxima.

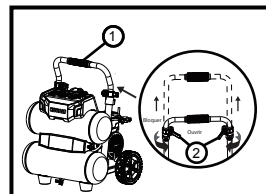
- a. Mettez l'interrupteur (I) en position 0 (position d'arrêt).
- b. Tournez le bouton du régulateur de pression d'air (D) dans le sens contraire des aiguilles d'une montre jusqu'à ce qu'il s'arrête.
- c. Fixez le tuyau à air, les accessoires ou les outils pneumatiques (non inclus) à la sortie pour conduite d'air (C).



#### Déplacement du compresseur d'air

 **ATTENTION :** Pour éviter les blessures, ne soulevez PAS l'appareil en vous servant uniquement de la poignée coulissante (1). Pour soulever l'appareil, saisissez le réservoir et la poignée coulissante (1). Suivez les instructions suivantes pour déplacer l'appareil au moyen de la poignée coulissante (1) et des roues.

- a. Débloquez les deux attaches Camloc (2) comme illustré.
- b. Faites glisser la poignée (1) vers le haut jusqu'à la hauteur désirée.
- c. Bloquez les deux attaches Camloc (2).

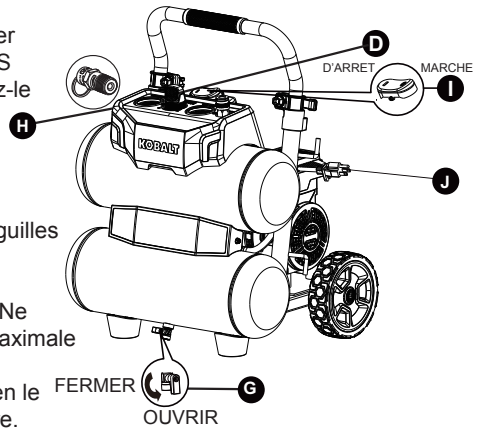


### 1. Démarrage du compresseur

**!** **AVERTISSEMENT:** Le moteur électrique et la pompe dégagent une grande chaleur. Pour éviter les brûlures et autres blessures, ne touchez PAS au compresseur lorsqu'il est en marche. Laissez-le refroidir avant de le manipuler ou d'en effectuer l'entretien. Gardez le compresseur hors de la portée des enfants en tout temps.

**!** **AVERTISSEMENT:** Pour diminuer la pression, tournez le bouton dans le sens contraire des aiguilles d'une montre en dépassant le réglage désiré. Tournez ensuite le bouton dans le sens des aiguilles d'une montre jusqu'au réglage désiré. Ne dépassez pas la pression de fonctionnement maximale de l'outil ou de l'accessoire utilisé.

- Fermez le robinet de vidange (G) du réservoir en le tournant dans le sens des aiguilles d'une montre.
- Branchez le cordon d'alimentation (J).
- Mettez l'interrupteur (I) en position I (position de marche) et laissez la pression s'accumuler dans le réservoir. Le moteur s'arrêtera lorsque la pression atteindra le «point de déclenchement»
- Tournez le bouton du régulateur de pression d'air (D) dans le sens des aiguilles d'une montre jusqu'au réglage désiré.
- Vous pouvez maintenant utiliser le compresseur.



### 2. Arrêt du compresseur

**!** **AVERTISSEMENT:** Afin d'éviter de vous blesser, arrêtez l'unité, débranchez-la et évacuez toute la pression d'air avant d'effectuer toute tâche d'entretien du compresseur d'air.



**!** **AVERTISSEMENT:** Risque lié à l'utilisation. L'unité se met en marche aussitôt qu'elle est alimentée. Vous pouvez être exposé à des sources de tension, à de l'air comprimé ou à des pièces en mouvement lorsque vous effectuez l'entretien. Vous pourriez subir des blessures. Débranchez le compresseur de la source d'alimentation et purgez toute la pression d'air avant d'effectuer toute tâche d'entretien ou toute réparation.


**!** **MISE EN GARDE:** L'air et l'humidité évacués peuvent projeter des débris susceptibles de causer des blessures aux yeux. Portez des lunettes de sécurité lorsque vous ouvrez le robinet de vidange.

- Mettez l'interrupteur (I) en position 0.
- Débranchez le cordon d'alimentation (J).
- Réduisez la pression dans le réservoir par le tuyau de sortie. Vous pouvez également tirer l'anneau de la soupape de décharge (G) et la laisser ouverte pour réduire la pression du réservoir.
- Faites basculer le compresseur de façon à ce que le robinet de vidange se trouve au bas du réservoir. Ouvrez ensuite le robinet dans le sens contraire des aiguilles d'une montre pour évacuer l'humidité du réservoir.

**AVERTISSEMENT** : Afin d'éviter de vous blesser, arrêtez l'unité, débranchez-la et évacuez toute la pression d'air avant d'effectuer toute tâche d'entretien du compresseur d'air.

Un entretien régulier assurera un fonctionnement sans problème. Les points mentionnés ici doivent être vérifiés régulièrement.

- Videz le réservoir quotidiennement afin de prévenir la formation de corrosion. Évacuez la condensation chaque jour. Portez des lunettes de sécurité. Purgez la pression d'air du système, puis ouvrez le robinet de vidange situé au bas du réservoir. 
- Tirez l'anneau de la soupape de décharge quotidiennement pour vous assurer que la soupape fonctionne correctement et pour enlever tout débris qui pourrait l'obstruer. 
- Assurez-vous que tous les raccords sont bien serrés. Une petite fuite de n'importe quelle partie du compresseur réduira le rendement de l'unité. Vaporisez une petite quantité d'eau savonneuse sur la zone suspecte à l'aide d'un flacon pulvérisateur. Si des bulles se forment, réparez ou remplacez la partie défectueuse. Ne serrez pas excessivement les raccords.
- Avant de ranger l'unité pour une période prolongée, suivez les étapes ci-dessous :
  - Utilisez une soufflette à air (non incluse) pour nettoyer toute la poussière et les débris du compresseur.
  - Débranchez et enroulez le cordon d'alimentation.
  - Ouvrez la soupape de décharge pour libérer toute la pression du réservoir.
  - Évacuez toute l'humidité du réservoir.
  - Recouvrez le compresseur d'air pour le protéger contre l'humidité et la poussière.

PROBLÈME	CAUSE POSSIBLE	MESURE CORRECTIVE
La pression est faible, il n'y a pas suffisamment d'air ou le compresseur ne s'arrête pas.	<ol style="list-style-type: none"> <li>1. Le robinet de vidange du réservoir est ouvert.</li> <li>2. Les raccords fuient.</li> <li>3. Une trop grande quantité d'air est utilisée ou l'air est utilisé de façon prolongée.</li> <li>4. Le compresseur n'est pas assez puissant.</li> <li>5. Le tuyau à air est troué.</li> <li>6. Le réservoir fuit.</li> <li>7. Les joints sont rompus.</li> <li>8. Le robinet fuit.</li> <li>9. Le piston fuit ou est usé.</li> </ol>	<ol style="list-style-type: none"> <li>1. Fermez le robinet de vidange.</li> <li>2. Vérifiez les raccords au moyen d'eau savonneuse. Serrez et scellez les raccords qui ont des fuites. <b>ÉVITEZ DE SERRER EXCESSIVEMENT.</b></li> <li>3. Réduisez la quantité d'air utilisée.</li> <li>4. Vérifiez les exigences de l'accessoire en ce qui a trait à l'alimentation en air. Si elles sont supérieures au débit volumique (<math>\text{pi}^3/\text{min}</math>) et à la pression du compresseur, un compresseur plus puissant est nécessaire. La plupart des accessoires fonctionnent à 25% de leur débit réel en <math>\text{pi}^3/\text{min}</math> lorsqu'ils sont utilisés en continu.</li> <li>5. Vérifiez-le et remplacez-le au besoin.</li> <li>6.  <b>AVERTISSEMENT</b> : Remplacez le compresseur. NE tentez PAS de le réparer.</li> <li>7. Remplacez le compresseur.</li> <li>8. Remplacez le compresseur.</li> <li>9. Remplacez le compresseur.</li> </ol>
L'air fuit du régulateur ou le régulateur ne régule pas la pression d'air.	<ol style="list-style-type: none"> <li>1. Les pièces internes du régulateur sont sales ou endommagées.</li> </ol>	<ol style="list-style-type: none"> <li>1. Remplacez le régulateur ou les pièces internes.</li> </ol>
La pression indiquée sur le manomètre réglé diminue lorsque l'accessoire pneumatique est utilisé.	<ol style="list-style-type: none"> <li>1. Cela est normal.</li> <li>2. Le compresseur n'est pas assez puissant.</li> </ol>	<ol style="list-style-type: none"> <li>1. Si la pression est trop basse, réglez le régulateur pendant que vous utilisez l'accessoire.</li> <li>2. Vérifiez les exigences de l'accessoire en ce qui a trait à l'alimentation en air. Si elles sont supérieures au débit volumique (<math>\text{pi}^3/\text{min}</math>) et à la pression du compresseur, un compresseur plus puissant est nécessaire. La plupart des accessoires fonctionnent à 25% de leur débit réel en <math>\text{pi}^3/\text{min}</math> lorsqu'ils sont utilisés en continu.</li> </ol>

PROBLEME	POSSIBLE CAUSE	CORRECTIVE ACTION
La soupape de décharge s'ouvre.	<ol style="list-style-type: none"> <li>1. La pression du réservoir est supérieure à la pression nominale normale.</li> <li>2. Le pressostat est bloqué.</li> </ol>	<ol style="list-style-type: none"> <li>1. Remplacez le pressostat.</li> <li>2. Remplacez le pressostat.</li> </ol>
Le moteur ne tourne pas.	<ol style="list-style-type: none"> <li>1. La pression du réservoir dépasse la limite de pression pré réglée du pressostat.</li> <li>2. Un fusible a sauté ou un disjoncteur s'est déclenché.</li> <li>3. Le clapet de non-retour ou le clapet de pied est bloqué en position fermée.</li> <li>4. Le calibre AWG du fil ne convient pas ou la rallonge est trop longue.</li> <li>5. Les branchements électriques sont desserrés.</li> <li>6. Le dispositif de protection contre la surcharge du moteur s'est déclenché.</li> <li>7. Le moteur, le condensateur ou la soupape de sûreté sont défectueux.</li> </ol>	<ol style="list-style-type: none"> <li>1. Le moteur démarre automatiquement lorsque la pression du réservoir tombe sous le point d'enclenchement.</li> <li>2. Remplacez le fusible sauté ou remettez le disjoncteur sous tension. N'utilisez pas un fusible ou un disjoncteur d'une valeur nominale plus élevée. Vérifiez le fusible; un fusible de type « T » est accepté. Vérifiez si la tension est basse, et utilisez une rallonge de longueur appropriée. Débranchez les autres éléments du circuit. Utilisez le compresseur sur un circuit spécial.</li> <li>3. Vous devez le retirer et le nettoyer, ou le remplacer.</li> <li>4. Vérifiez si le calibre (14 AWG) et la longueur de la rallonge conviennent(30,48 m.)</li> <li>5. Communiquez avec un centre de service autorisé.</li> <li>6. Éteignez le compresseur, débranchez le cordon d'alimentation et attendez que le moteur se refroidisse. Branchez le cordon d'alimentation une fois que le moteur est refroidi. Attendez au moins cinq minutes pour vous assurer que le limiteur de surcharge thermique fonctionne de nouveau.</li> <li>7. L'entretien du compresseur doit être effectué par un technicien qualifié.</li> </ol>

## **GARANTIE LIMITÉE DE 3 ANS**

---

Ce produit est garanti pour une période de trois années, à compter de la date d'achat initiale, contre les défauts de matériaux ou de fabrication.

Sous réserve des conditions et des limitations énoncées ci-dessous, ce produit sera réparé ou remplacé (par un modèle identique ou par un modèle de valeur équivalente ou doté de caractéristiques équivalentes), à notre discrétion, pourvu qu'il nous soit retourné accompagné d'une preuve d'achat pendant la période de garantie indiquée et qu'il soit couvert par la garantie. Nous assumerons le coût de tout remplacement ou de toute réparation ainsi que les frais de main-d'oeuvre s'y rapportant.

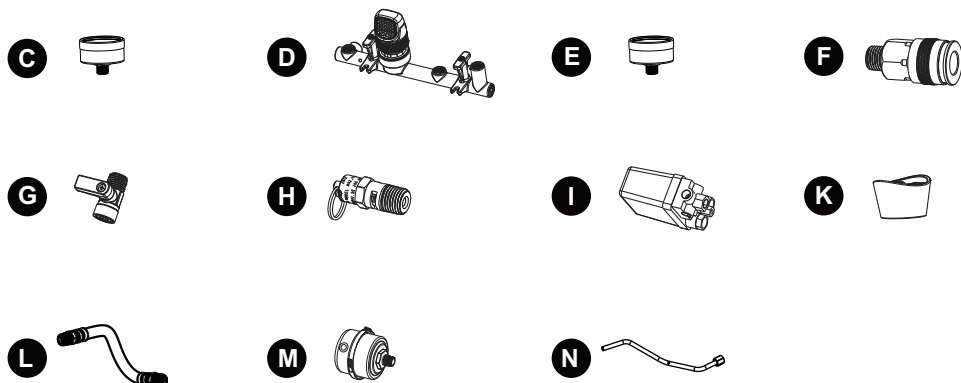
### **La présente garantie est assujettie aux conditions et aux limitations suivantes :**

- a. Un reçu attestant l'achat et la date d'achat doit être fourni.
- b. La présente garantie ne s'applique à aucun produit ni à aucune pièce usés, brisés, rendus hors d'usage en raison d'un usage abusif ou inapproprié, de dommages accidentels, d'une négligence ou d'une installation, d'une utilisation ou d'un entretien inadéquats (selon la description figurant dans le guide d'utilisation ou le mode d'emploi applicable) ou utilisés à des fins industrielles, professionnelles, commerciales ou locatives.
- c. La présente garantie ne s'applique pas à l'usure normale ni aux pièces ou accessoires de consommation qui peuvent être fournis avec le produit et qui sont appelés à devenir inopérants ou inutilisables après une période raisonnable d'utilisation.
- d. La présente garantie ne s'applique pas à l'entretien régulier ni aux articles de consommation, y compris, sans s'y limiter, les carburants, les lubrifiants, les sacs d'aspirateur, les lames, les courroies, le papier abrasif, les embouts, les fluides, les mises au point et les réglages.
- e. La présente garantie ne s'applique pas lorsque les dommages sont causés par des réparations ou des tentatives de réparation faites par des tiers (c'est-à-dire des personnes non autorisées par le fabricant).
- f. La présente garantie ne s'applique à aucun produit vendu à l'acheteur initial à titre de produit remis en état ou remis à neuf (à moins d'une indication contraire écrite).
- g. La présente garantie ne s'applique pas au produit ni à aucune de ses pièces si une pièce d'un autre fabricant est installée dans le produit ou si une personne non autorisée répare, modifie ou tente de réparer ou de modifier le produit.
- h. La présente garantie ne s'applique pas à la détérioration normale du fini extérieur notamment, sans s'y limiter, les égratignures, les bosses et les éclats de peinture, ni à la corrosion ou la décoloration causées par la chaleur et les produits chimiques abrasifs.
- i. La présente garantie ne s'applique pas aux pièces vendues par une autre entreprise et marquées comme produits de cette entreprise; le cas échéant, ces pièces sont couvertes par la garantie de leur fabricant.

Cette garantie ne sera pas applicable à tout produit qui a été vendu à l'acheteur original comme un produit neuf ou remis à neuf (sauf indication contraire par écrit)

## LISTE DES PIÈCES DE RECHANGE

Pour obtenir des les pièces de rechange, communiquez avec notre service à la clientèle au 1 888 3KOBALT, entre 8 h et 20 h (HNE), du lundi au vendredi.



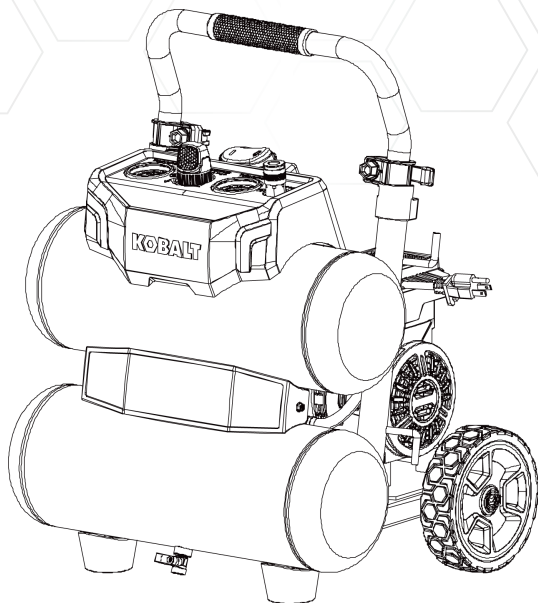
PIÈCE	NOM DE LA PIÈCE	NUMÉRO DE PIÈCE
C	Manomètre du réservoir	TAPGAX.50.01
D	Régulateur de pression d'air	TAVA01.RE.20
E	Manomètre réglé	TAPGAX.50.01
F	Raccord à branchement rapide	TATF03.01.01
G	Robinet de vidange	TAVA02.DV.03
H	Soupape de sûreté	TAVA01.SV.01

PIÈCE	NOM DE LA PIÈCE	NUMÉRO DE PIÈCE
I	Pressostat	TASWPS.00.11
K	Patin en caoutchouc	TARP01.01.05
L	Tuyau en caoutchouc	TATF02.06.02
M	Filtre à air	TAFI01.02.01
N	Tube de purge	TATF01.02.06

Imprimé en Chine



# KOBALT®



ARTÍCULO #0790117

## COMPRESOR DE AIRE QUIET TECH DE 16,27 LITROS

MODELO #3320446

KOBALT® y K Design® son marcas registradas de LF, LLC. Todos los derechos reservados.

---

### ADJUNTE SU RECIBO AQUÍ

Número de serie \_\_\_\_\_ Fecha de compra \_\_\_\_\_



**¿Preguntas, problemas, piezas faltantes?** Antes de volver a la tienda, llame a nuestro Departamento de Servicio al Cliente al 1-888-3KOBALT, de lunes a viernes de 8 a.m. a 8 p.m., hora estándar del Este.

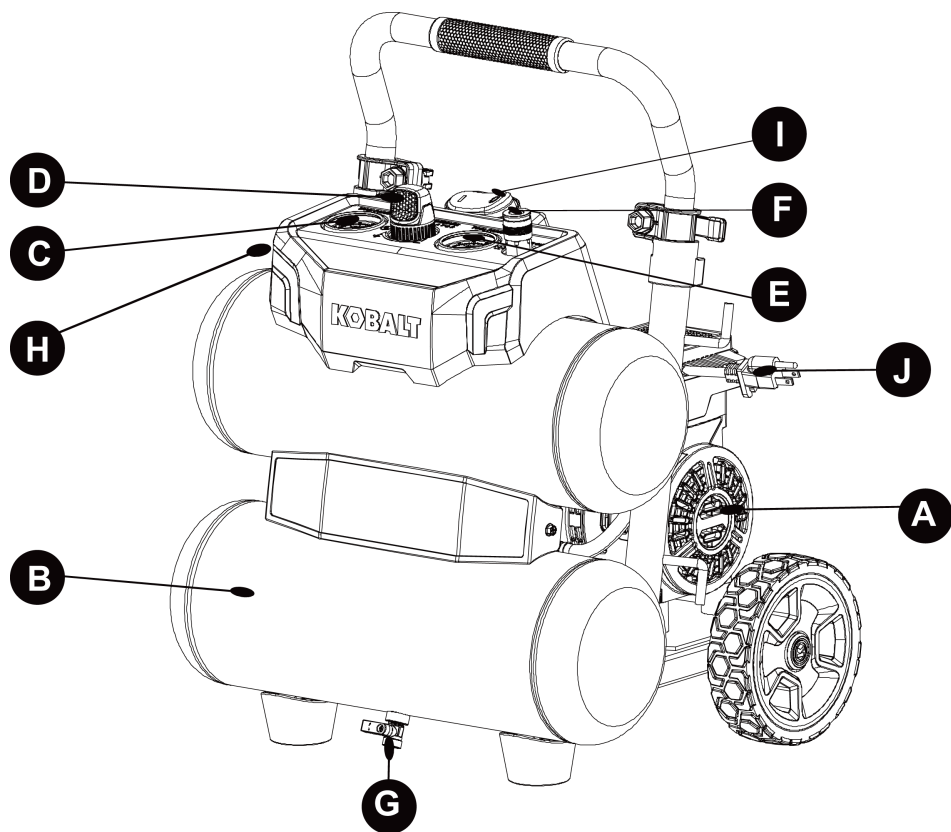
Especificaciones -----	26
Contenido del paquete -----	27
Descripción de las piezas -----	28
Información de seguridad-----	29
Preparación-----	30
Instrucciones de funcionamiento -----	31
Cuidado y mantenimiento-----	32
Solución de problemas -----	33
Garantía -----	34
Lista de piezas de repuesto-----	36

## ESPECIFICACIONES DEL PRODUCTO

---

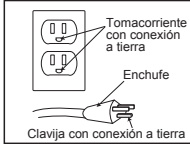
Modelo No.	3320446
Bomba	Sin aceite, tracción de banda, fase única
Motor	1,0 HP
Voltaje/Amperios/HZ	120 / 7,5 / 60
Capacidad del tanque de aire	16,27 litros
Presión de activación	120 PSI
Presión de desactivación	150 PSI
m <sup>3</sup> /min a 40 PSI	0,093
m <sup>3</sup> /min a 90 PSI	0,068
Cable de alimentación	SJT 18 AWG/1,83 m de largo

**Nota:** Evite el uso de extensiones eléctricas cuando sea posible. Si debe usar una extensión eléctrica, esta debe tener un tamaño mínimo de 14 AWG y no superar los 30,48 metro de longitud. Solo use una extensión eléctrica de 3 conductores que tenga un enchufe con conexión a tierra de 3 clavijas y enchúfelo a un tomacorriente de 3 orificios que sea apto para el enchufe del compresor.



PIEZA	DESCRIPCIÓN	CANTIDAD
A	Motor eléctrico y bomba compresora de aire	1
B	Tanque de aire	2
C	Indicador de presión del tanque	1
D	Regulador de presión de aire	1
E	Indicador de presión regulado	1
F	Acoplador rápido NPT de 1/4"	1
G	Tanque de aire Válvula de drenaje	1
H	Válvula de descarga de presión	1
I	Interruptor de ENCENDIDO/APAGADO	1
J	Cable de alimentación	1

## DESCRIPCIÓN DE LAS PIEZAS

PIEZA	NOMBRE DE LA PIEZA	DESCRIPCIÓN DE LAS PIEZAS
A	Motor eléctrico  Bomba compresora de aire	El motor se usa para hacer funcionar la bomba. Contiene un protector contra sobrecargas térmicas. Si el motor se sobrecalienta por cualquier razón, el protector contra sobrecargas térmicas lo apagará a fin de evitar que sufr daños. La bomba se usa para comprimir el aire y descargarlo en el tanque a través del pistón que se mueve hacia arriba y hacia abajo en el cilindro.
B	Tanque de aire	El tanque se utiliza para almacenar el aire comprimido.
C	Indicador de presión del tanque	El indicador se utiliza para medir el nivel de presión de aire almacenado en el tanque. El operador no puede ajustarla y no indica la presión de línea.
D	Regulador de presión de aire	El regulador se utiliza para ajustar la presión de línea a la herramienta que está utilizando. Gire la perilla en dirección de las manecillas del reloj para aumentar la presión y en dirección contraria de las manecillas del reloj para disminuirla.
E	Indicador de presión regulado	El indicador se utiliza para medir la presión de salida regulada.
F	Raccord à branchement rapide	Dans ce compresseur, le raccord à branchement rapide sert également de sortie à la conduite d'air. Cette sortie sert à raccorder le tuyau à air à filetage NPT de 6,35 mm
G	Tanque de aire Válvula de drenaje	La válvula de drenaje se utiliza para quitar la humedad del tanque de aire luego de cerrar la unidad.
H	Válvula de descarga de presión	La válvula se utiliza para evitar fallas del sistema mediante la liberación de presión. Cuando la presión alcance el nivel predeterminado, el interruptor de presión no apagará el motor, sino que este se abrirá automáticamente o usted puede tirar del anillo de la válvula para que se abra.
I	Interruptor de ENCENDIDO/APAGADO	Este interruptor enciende el compresor y se opera manualmente. Cuando se encuentra en la posición I (encendido), permite que el compresor arranque y se apague de forma automática, sin previo aviso, según la demanda de aire. Siempre configure este interruptor en la posición OFF (apagado) cuando el compresor no esté en uso y antes de desenchufarlo.
J	Cable de alimentación	Este producto fue diseñado para uso en un circuito de 120 voltios nominales y debe contar con conexión a tierra. Debe utilizarse un cable con un enchufe de conexión a tierra. Asegúrese de que el producto esté conectado a un tomacorriente con la misma configuración que el enchufe. No debe utilizarse un adaptador con este producto.  



## INFORMACIÓN DE SEGURIDAD

---

Lea y comprenda completamente este manual antes de intentar ensamblar u operar este producto. Si tiene preguntas relacionadas con el producto, llame al Departamento de Servicio al Cliente al 1-888-3KOBALT, de lunes a jueves de 8 a.m. a 8 p.m., hora estándar del Este.

### Símbolos de seguridad

El objetivo de los símbolos de seguridad es captar su atención ante posibles peligros. Los símbolos de seguridad y las explicaciones que los acompañan merecen su atención y comprensión cuidadosa. Las advertencias de seguridad NO eliminan por sí mismas ningún peligro. No son sustitutos de las medidas adecuadas de prevención de accidentes.

### Seguridad para el usuario



#### PELIGRO

La instalación inapropiada del enchufe con conexión a tierra puede causar riesgo de descarga eléctrica. Si necesita reparar o reemplazar el cable o el enchufe, no conecte el cable con conexión a tierra a un terminal de pala plano. El conductor de conexión a tierra se encuentra en la superficie exterior verde.



#### ADVERTENCIA

- Riesgo de explosión o incendio. Nunca rocíe líquidos inflamables en un área cerrada. Es normal que el motor y el interruptor de presión produzcan chipas cuando están en funcionamiento. Si las chispas entran en contacto con los vapores que emanan de la gasolina o de otros solventes, estas podrían encenderse y provocar un incendio o una explosión. No fume mientras rocía. No rocíe donde haya chispas o llamas. Mantenga el compresor tan lejos del área de rociado como sea posible. Siempre opere el compresor en un área bien ventilada.
- Riesgo de descarga eléctrica. Un electricista certificado debe instalar todo el cableado de acuerdo con los códigos locales y nacionales. Para evitar descargas eléctricas, nunca utilice un compresor de aire eléctrico en exteriores cuando llueva o sobre una superficie mojada.
- Riesgo de desborde. El óxido puede debilitar el tanque. Drene el agua condensada del tanque luego de cada uso para disminuir la oxidación. Nunca suelde, taladre ni modifique el tanque de aire de este compresor. Las soldaduras o modificaciones que se realizan en el tanque de aire pueden deteriorar severamente la fuerza del tanque y causar una condición muy peligrosa. Si se detecta una fuga en el tanque, reemplace el tanque de inmediato.
- Riesgo de lesiones. Siempre cierre el compresor, quite el enchufe del tomacorriente y purgue toda la presión del sistema antes de realizar el mantenimiento al compresor o cuando este no esté en uso. No utilice la unidad si ha retirado el revestimiento. El contacto con las piezas en movimiento puede ocasionar lesiones graves.
- Risk of bursting. Riesgo de desborde. Verifique en le manual el índice de presión máxima o la etiqueta con el número de serie. La presión de salida del compresor debe regularse de modo que nunca exceda el índice de presión máxima. Libere toda la presión a través de la manguera antes de quitar o fijar los accesorios.
- Riesgo de desborde. Por ningún motivo ajuste el interruptor de presión ni la válvula de descarga, ya que han sido predeterminados en la fábrica para la presión máxima de la unidad. Si el interruptor de presión o la válvula de descarga se manipulan, es posible que ocurran lesiones personales o daños a la propiedad.
- Riesgo de quemaduras. La bomba y el tubo colector generan altas temperaturas. Para evitar quemaduras u otras lesiones, no toque la bomba, el tubo colector o el tubo de transferencia mientras la unidad se encuentre en funcionamiento. Deje que las piezas se enfríen antes de manipularlas o realizarles mantenimiento. Mantenga a los niños alejados del compresor en todo momento.



## INFORMACIÓN DE SEGURIDAD

- Riesgo de respiración. Lea todas las etiquetas cuando rocíe pinturas o materiales tóxicos y siga todas las instrucciones de seguridad. Use una máscara para polvo si existiera el riesgo de inhalar los materiales rociados. Nunca inhale directamente el aire comprimido producido por un compresor.
- Riesgo de lesiones en los ojos. Use siempre gafas de seguridad aprobadas por las normas ANSI 287.1 cuando utilice un compresor de aire. Nunca apunte la boquilla ni el rociador hacia una persona o una parte del cuerpo. Si el rociado penetra en la piel, es posible que se produzca una lesión grave.
- Nunca exceda la presión de trabajo máxima de la herramienta.
- Nunca intente abrir la válvula de drenaje cuando la presión del tanque supere los 10 PSI.
- Cuando corta lija, taladra o pule materiales como por ejemplo madera, pintura, metal, hormigón, cemento, u otro tipo de mampostería se puede producir polvo. Con frecuencia este polvo contiene productos químicos que se conocen como causantes de cáncer, defectos congénitos u otros daños reproductivos. **Use equipo de protección.**

### PRECAUCIÓN

- Tire del anillo de la válvula de descarga todos los días para asegurarse de que funciona correctamente.
- La unidad debe mantenerse a una distancia mínima de 12 pulg de la pared más cercana, en un área bien ventilada para su enfriamiento.
- Use siempre protección para los oídos cuando utilice un compresor de aire. El incumplimiento de esta medida podría provocar
- Use siempre protección para los oídos cuando utilice un compresor de aire. El incumplimiento de esta medida podría provocar la pérdida de la audición.
- El funcionamiento de la unidad siempre debe realizarse en una posición estable. Nunca use la unidad en un techo o una posición elevada que pudiese provocar que el módulo se cayera o volcara.

### PREPARACIÓN

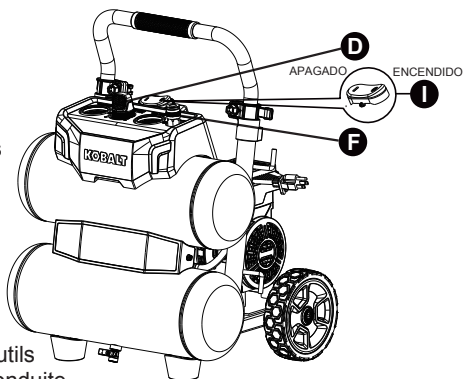
#### Preparación para el inicio



**ADVERTENCIA:** Riesgo de desborde.

Demasiada presión de aire provoca peligro de explosión. Verifique el índice de presión máxima del fabricante para las herramientas neumáticas y los accesorios. La presión de salida del regulador nunca debe exceder el índice de presión máxima.

- Coloque el interruptor (I) en la posición
- Gire la perilla reguladora de presión de aire en dirección contraria a las manecillas del reloj hasta que se detenga(D).
- Fixez le tuyau à air, les accessoires ou les outils pneumatiques (non inclus) à la sortie pour conduite d'air (F).

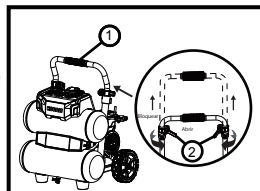


#### Cómo mover el compresor de aire



**PRECAUCIÓN:** para evitar lesiones personales, NO levante la unidad solamente de la manija deslizante (1). Si desea levantar la unidad, tome el tanque y la manija deslizante (1). Siga las siguientes instrucciones para usar la manija deslizante (1) y las ruedas para mover la unidad:

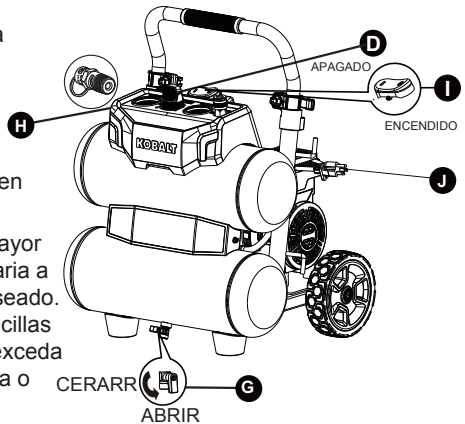
- Desbloquee los dos cerrojos de leva (2) como se muestra en la ilustración.
- Deslice la manija (1) hacia arriba hasta la altura deseada.
- Bloquee los dos cerrojos de leva (2) en su lugar.



### 1. Encendido del compresor

**!** **ADVERTENCIA:** El motor eléctrico y la bomba generan altas temperaturas. Para prevenir quemaduras u otras lesiones, NO toque el compresor mientras se encuentre en funcionamiento. Deje que se enfríe antes de manipularlo o realizar el mantenimiento. Mantenga a los niños alejados del compresor en todo momento.

**!** **ADVERTENCIA:** Al ajustar de una presión mayor a una menor, gire la perilla en dirección contraria a las manecillas del reloj más allá del ajuste deseado. Luego, gire la perilla en dirección de las manecillas del reloj hasta lograr la presión deseada. No exceda la presión de funcionamiento de la herramienta o los accesorios que se están utilizando.



- Cierre la válvula de descarga del tanque (G) girándola en dirección de las manecillas del reloj.
- Enchufe el cable de alimentación (J).
- Coloque el interruptor (I) en la posición I (encendido) y permita que la presión se acumule. El motor se detendrá cuando la presión del tanque alcance la presión de desactivación.
- Gire la perilla reguladora (D) de presión de aire en dirección de las manecillas del reloj hasta alcanzar la presión deseada.
- El compresor está listo para usar.

### 2. Apagado del compresor

**!** **ADVERTENCIA:** Para evitar daños personales, siempre apague y desenchufe la unidad y libere toda la presión de aire del sistema antes de realizar cualquier tipo de mantenimiento en el compresor de aire.



**!** **ADVERTENCIA:** Riesgos de funcionamiento inseguro. La unidad se enciende y apaga automáticamente cuando está encendida. Al realizarle mantenimiento, es posible que esté expuesto a fuentes de alto voltaje, aire comprimido o piezas en movimiento. Pueden ocurrir lesiones personales. Antes de realizar cualquier mantenimiento o reparación, desconecte la fuente de alimentación del compresor y purgue toda la presión de aire.

**!** **PRECAUCIÓN:** Las fugas de aire y humedad pueden lanzar desechos que podrían causar lesiones en los ojos. Utilice gafas de seguridad al abrir la válvula de drenaje.


- Coloque el interruptor (I) en la posición
- Desenchufe el cable de alimentación (J).
- Reduzca la presión en el tanque a través de la manguera de salida. Tirar del anillo de la válvula de descarga de presión (H) y mantenerla abierta también ayudará a disminuir la presión en el tanque.
- Incline el compresor de modo que la válvula de drenaje del tanque quede en la parte inferior del tanque. Luego, gire la válvula de drenaje del tanque en dirección contraria a las manecillas del reloj para permitir que drene la humedad del tanque.

**⚠ ADVERTENCIA:** Para evitar daños personales, siempre apague y desenchufe la unidad y libere toda la presión de aire del sistema antes de realizar cualquier tipo de mantenimiento en el compresor de aire.

El mantenimiento regular garantizará un funcionamiento sin problemas. Los artículos que se enumeran a continuación se deben inspeccionar en forma periódica.

- Drene el tanque a diario para evitar la corrosión en su interior. Drene la condensación al final de cada día. Utilice gafas de protección. Libere la presión de aire en el sistema y luego abra la válvula de drenaje que se encuentra en la parte inferior del tanque. 
- Tire de la válvula de descarga en el anillo diariamente para garantizar que esté funcionando correctamente y eliminar de ella cualquier posible obstrucción. 
- Revise todas las conexiones para asegurarse de que estén ajustadas. Una pequeña fuga de cualquier pieza del compresor disminuirá el rendimiento de la unidad. Rocíe una pequeña cantidad de agua jabonosa alrededor del área donde se sospecha que existen fugas para detectar la formación de burbujas. Si aparecen burbujas, repare o reemplace el componente defectuoso. No apriete en exceso ninguna de las conexiones de gas.
- Antes de guardar la unidad durante un período prolongado, haga lo siguiente:
  - Utilice una pistola de aire (no se incluye) para limpiar todo el polvo y la suciedad del compresor.
  - Desconecte y enrolle el cable de alimentación.
  - Tire de la válvula de descarga de presión para liberar toda la presión del tanque.
  - Drene toda la humedad del tanque.
  - Cubra toda la unidad para protegerla de la humedad y del polvo.



PROBLEMA	CAUSA POSIBLE	ACCIÓN CORRECTIVA
<p>La presión es baja, no hay suficiente aire o el compresor no se detiene.</p>	<ol style="list-style-type: none"> <li>1. La válvula de drenaje del tanque está abierta.</li> <li>2. Hay una fuga en los conectores.</li> <li>3. Hay un uso prolongado o excesivo, o demasiado aire.</li> <li>4. El compresor no es lo suficientemente grande.</li> <li>5. Hay un orificio en la manguera de aire.</li> <li>6. Hay un fuga en el tanque.</li> <li>7. Los sellos están quemados.</li> <li>8. La válvula tiene una fuga.</li> <li>9. Hay un pistón desgastado o con fugas.</li> </ol>	<ol style="list-style-type: none"> <li>1. Cierre el tanque y drene la válvula.</li> <li>2. Revise los conectores con agua jabonosa. Apriete o vuelva a sellar los conectores con fugas. <b>NO APRIETE DEMASIADO.</b></li> <li>3. Disminuya la cantidad de aire utilizado.</li> <li>4. Revise los requisitos de aire o el accesorio. Si supera los CFM y la presión provista por el compresor, necesita un compresor más grande. La mayoría de los accesorios tienen una clasificación de 25% de los CFM reales mientras funcionan continuamente.</li> <li>5. Revise y reemplace si es necesario.</li> <li>6.  <b>ADVERTENCIA:</b> vuelva a colocar el compresor. <b>NO</b> intente repararlo.</li> <li>7. Vuelva a colocar el compresor.</li> <li>8. Vuelva a colocar el compresor.</li> <li>9. Vuelva a colocar el compresor.</li> </ol>
<p>El aire se fuga del regulador o el regulador no regula la presión de aire.</p>	<ol style="list-style-type: none"> <li>1. Las piezas internas del regulador están sucias o dañadas.</li> </ol>	<ol style="list-style-type: none"> <li>1. Cambie el regulador o las piezas internas.</li> </ol>
<p>La lectura del indicador de presión regulado cae cuando se utiliza el accesorio de aire.</p>	<ol style="list-style-type: none"> <li>1. Esto es normal.</li> <li>2. El compresor no es lo suficientemente grande.</li> </ol>	<ol style="list-style-type: none"> <li>1. Si la presión baja demasiado, ajuste el regulador mientras se utiliza el accesorio.</li> <li>2. Revise los requisitos de aire o el accesorio. Si supera los CFM y la presión provista por el compresor, necesita un compresor más grande. La mayoría de los accesorios tienen una clasificación de 25 % de los CFM reales mientras funcionan continuamente.</li> </ol>

## SOLUCIÓN DE PROBLEMAS

PROBLEMA	CAUSA POSIBLE	ACCIÓN CORRECTIVA
The pressure relief valve opens.	<ol style="list-style-type: none"> <li>1. La presión del tanque excede la presión nominal normal.</li> <li>2. El interruptor de presión está atascado.</li> </ol>	<ol style="list-style-type: none"> <li>1. Reemplace el interruptor de presión.</li> <li>2. Reemplace el interruptor de presión.</li> </ol>
El motor no funciona.	<ol style="list-style-type: none"> <li>1. La presión del tanque excede el límite preestablecido del interruptor de presión.</li> <li>2. El fusible se fundió o el interruptor de circuito se desconectó.</li> <li>3. La válvula de verificación está atascada en la posición abierta.</li> <li>4. El calibre del cable en la extensión no es el correcto o la extensión eléctrica es demasiado larga.</li> <li>5. Hay conexiones eléctricas sueltas.</li> <li>6. La protección contra sobrecarga térmica del motor se desconectó.</li> <li>7. El motor, el capacitor o la válvula de seguridad tienen fallas.</li> </ol>	<ol style="list-style-type: none"> <li>1. El motor arrancará automáticamente cuando la presión del tanque esté por debajo de la presión de activación.</li> <li>2. Reemplace el fusible fundido o restablezca el interruptor de circuito. No use un fusible o interruptor de circuito con un circuito más alto. Verifique que usa el fusible adecuado; se acepta el fusible tipo T. Verifique si hay una baja de voltaje y asegúrese de que la extensión eléctrica sea del tamaño adecuado. Desconecte otras aplicaciones del circuito. Use el compresor en un circuito separado.</li> <li>3. Retire y limpie o reemplace.</li> <li>4. Verifique que el cable sea del calibre (14 AWG) correcto y asegúrese de que la extensión eléctrica tenga el largo adecuado (30,48 metro.)</li> <li>5. Póngase en contacto con un centro de servicio autorizado.</li> <li>6. Apague la compresora de aire, desenchufe el cable de alimentación y espere hasta que el motor se haya enfriado. Enchufe el cable de alimentación solo después de que el motor se haya enfriado, y espere al menos 5 minutos para asegurarse de que el protector contra sobrecarga térmica se haya recuperado.</li> <li>7. Haga que un técnico calificado dé mantenimiento al compresor.</li> </ol>

## **GARANTÍA**

---

Este producto cuenta con garantía por un período de tres años desde la fecha de compra original contra defectos en los materiales y la mano de obra.

Este producto está sujeto a las condiciones y limitaciones que se describen a continuación y, en caso de ser devuelto con un comprobante de compra dentro del período de vigencia de la garantía y estar cubierto por esta garantía, será reparado o reemplazado (por el mismo modelo o por uno de igual valor o especificación), según nuestro criterio. Asumiremos el costo de cualquier reparación o reemplazo y los costos de mano de obra relacionados.

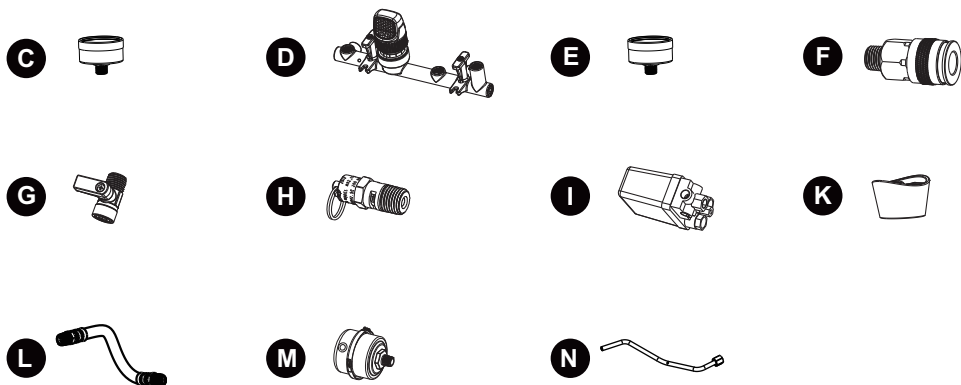
### **Esta garantía está sujeta a las siguientes condiciones y limitaciones:**

- a. Debe proporcionarse una factura de compra que verifique la compra y la fecha de compra.
- b. Esta garantía no se aplicará a ningún producto o pieza que esté gastado, roto o que haya dejado de funcionar debido al abuso, uso inadecuado, daño accidental, negligencia o falta de instalación, funcionamiento o mantenimiento adecuados (como se describe en el manual del propietario correspondiente o en las instrucciones de funcionamiento) o que se esté utilizando para fines industriales, profesionales, comerciales o de alquiler.
- c. Esta garantía no se aplicará al desgaste producto del uso normal ni a las piezas o los accesorios fungibles que podrían suministrarse con el producto, el cual se prevé que se volverá inoperante o inutilizable tras un período razonable de uso.
- d. Esta garantía no se aplicará al mantenimiento de rutina ni a los elementos fungibles como, entre otros, combustible, lubricantes, bolsas para aspiradoras, cuchillas, correas, papel de lija, puntas, fluidos, afinamientos o ajustes.
- e. Esta garantía no se aplicará si el daño es causado por reparaciones hechas o que se hayan intentado hacer por terceros (es decir, personas no autorizadas por el fabricante).
- f. Esta garantía no se aplicará a ningún producto que se haya vendido al comprador original como un producto reacondicionado o restaurado (a menos que se especifique lo contrario por escrito).
- g. Esta garantía no se aplicará a ningún producto o pieza si hubiera instalada alguna pieza de otro fabricante o si se hubieran hecho o intentado hacer reparaciones o modificaciones por personas no autorizadas.
- h. Esta garantía no se aplicará al deterioro normal del acabado exterior como, entre otros, rayones, abolladuras, trozos de pintura o a cualquier corrosión o decoloración producida por el calor y por limpieza con químicos abrasivos.
- i. Esta garantía no se aplicará a las piezas componentes vendidas e identificadas como producto de otra compañía, que serán cubiertas por la garantía del fabricante del producto, si corresponde.

Esta garantía no se aplicará a ningún producto que haya sido vendido al comprador original como un nuevo o renovado (excepto por escrito se indique lo contrario).

## LISTA DE PIEZAS DE REPUESTO

Para obtener partes de repuesto, llame a nuestro Departamento de Servicio al Cliente al 1-888-3KOBALT, de lunes a viernes de 8 a.m a 8 p.m., hora estándar del Este.



PIEZA	NOMBRE DE LA PIEZA	NÚMERO DE PIEZA
C	Indicador de presión del tanque	TAPGAX.50.01
D	Regulador de presión de aire	TAVA01.RE.20
E	Manomètre régulé	TAPGAX.50.01
F	Raccord à branchement rapide	TATF03.01.01
G	Válvula para drenar	TAVA02.DV.03
H	Válvula de seguridad	TAVA01.SV.01

PIEZA	NOMBRE DE LA PIEZA	NÚMERO DE PIEZA
I	Interruptor de presión	TASWPS.00.11
K	Patin en caoutchouc	TARP01.01.05
L	Manguera de goma	TATF02.06.02
M	Filtre à air	TAFI01.02.01
N	Tube de purge	TATF01.02.06

Impreso en China