



KOBALT® and the K & Design® are registered trademarks of LF, LLC. All rights reserved.

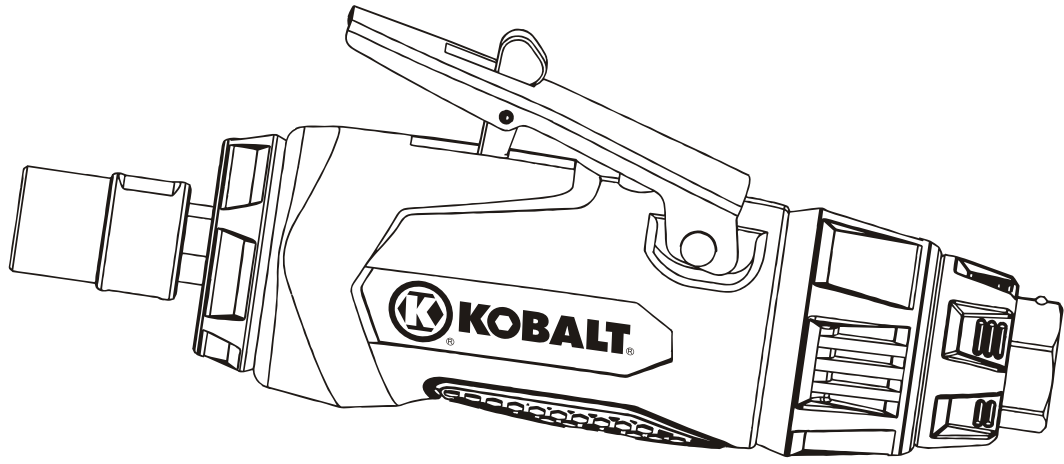
ITEM #0082215

1/4 IN. AIR ROTARY TOOL

MODEL #SGY-AIR133

Français p. 15

Español p. 30



ATTACH YOUR RECEIPT HERE

Serial Number _____ Purchase Date _____



Questions, problems, missing parts? Before returning to your retailer, call our customer service department at 1-888-3KOBALT, 8:00 a.m.-8:00 p.m., EST, Monday-Friday.

TABLE OF CONTENTS

Safety Information	3
Package Contents	8
Hardware Contents	8
Preparation	8
Assembly Instructions	9
Operating Instructions	11
Care and Maintenance	12
Troubleshooting	13
Warranty	13
Replacement Parts List	14



IMPORTANT: To operate correctly, this tool requires airflow that is at least 4 cubic feet per minute (CFM) at 90 pounds per square inch (PSI). Check the specifications of your air compressor to be sure that it can support both the minimum CFM and PSI required. An air hose may cause up to 15 PSI drop in pressure, so you may need to set the output higher to maintain the required pressure at the tool.

IMPORTANT : Cet outil nécessite un débit d'air d'au moins 4 pi³ par minute à une pression de 90 lb/psi². Vérifiez les spécifications de votre compresseur d'air afin de vous assurer qu'il satisfait aux exigences minimales (pi³/min et lb/psi²). L'utilisation d'un tuyau à air peut entraîner une chute de pression de jusqu'à 15 lb/psi². Il peut donc s'avérer nécessaire d'augmenter la pression afin de maintenir un niveau adéquat.

IMPORTANTE: Para funcionar de manera correcta, esta herramienta requiere un flujo de aire de por lo menos 4 pies cúbicos por minutos (CFM por sus siglas en inglés) para 90 libras por pulgada cuadrada (PSI, por sus siglas en inglés). Revise las especificaciones de su compresora de aire para asegurarse de que puede soportar tanto los CFM como las PSI mínimas requeridas. Una manguera de aire comprimido puede causar una caída de hasta 15 PSI en la presión, de manera que puede necesitar configurar la potencia más alta para mantener la presión requerida en la herramienta.

SAFETY INFORMATION

Please read and understand this entire manual before attempting to assemble, operate or install the product. If you have any questions regarding the product, please call customer service at 1-888-3KOBALT, 8:00 a.m.-8:00 p.m., EST, Monday-Friday.

WARNING

Improper operation or maintenance of this product could result in serious injury and property damage. Read and understand all warnings and operation instructions before using this equipment. When using air tools, basic safety precautions should always be followed to reduce the risk of personal injury.

WARNING

Some dust created by power sanding, sawing, grinding, drilling and other related activities contains chemicals known to the State of California to cause cancer, birth defects or other reproductive harm. A listing of chemicals can be obtained from www.oehha.ca.gov under proposition 65. Some examples of these chemicals are:

- Lead from lead-based paints
- Crystalline silica from bricks, cement and other masonry products
- Arsenic and chromium from chemically-treated lumber

Users of these tools should review the chemical composition of the work surface and any products in conjunction with the operation of these tools for any such chemicals prior to engaging in any activity that creates dust and/or microscopic particles.

Users should obtain the material safety data sheets from all identified chemicals, either from the manufacturer or their employer, and proceed to study, understand, and follow all instructions and warnings for exposure to such chemicals. Your risk from these exposures varies, depending on how often you do this type of work.

To reduce your exposure to these chemicals, work in a well-ventilated area, and work with approved safety equipment, such as those dust masks that are specially designed to filter out microscopic particles.

PRODUCT SPECIFICATIONS

COMPONENT	SPECIFICATIONS
COLLET	1/4 IN.
FREE SPEED	25,000 RPM +/- 10%
AVERAGE AIR CONSUMPTION	4 CFM
AIR INLET	1/4 IN. NPT
AIR HOSE	3/8 IN.
WORKING PRESSURE	90 PSI

⚠ WARNING RISK OF EYE OR HEAD INJURY

WHAT COULD HAPPEN	HOW TO PREVENT IT
<ul style="list-style-type: none"> • Air powered tools are capable of propelling materials such as fasteners, metal chips, sawdust and other debris at high speed which could result in serious eye injury. 	<ul style="list-style-type: none"> • Always wear ANSI approved Z87.1 safety glasses with side shields. • Never leave operating tool unattended. Disconnect air hose when tool is not in use.
<ul style="list-style-type: none"> • Compressed air can be hazardous. The air system can cause injury to soft tissue areas such as eyes, ears, etc. Particles or objects propelled by the stream can cause injury. 	<ul style="list-style-type: none"> • For additional protection use an approved face shield in addition to safety glasses.
<ul style="list-style-type: none"> • Tool attachments can become loose or break and fly apart propelling articles at the operator and others in the work area. 	<ul style="list-style-type: none"> • Make sure that any attachments are securely assembled.

⚠ WARNING RISK OF FIRE OR EXPLOSION

WHAT COULD HAPPEN	HOW TO PREVENT IT
<ul style="list-style-type: none"> • A rotary tool is capable of generating sparks, which could result in ignition of flammable materials. 	<ul style="list-style-type: none"> • Never operate tools near flammable substances such as gasoline, naphtha, cleaning solvents, etc. • Work in a clean, well-ventilated area free of combustible materials. • Never use oxygen, carbon dioxide or other bottled gases as a power source for air tools.
<ul style="list-style-type: none"> • Exceeding the maximum pressure rating of tools or accessories could cause an explosion resulting in serious injury. 	<ul style="list-style-type: none"> • Use compressed air regulated to a maximum pressure at or below the rated pressure of any attachments. • Never connect to an air source that is capable of exceeding 200 PSI. • Always verify prior to using the tools that the air source has been adjusted to the rated air pressure range.

⚠ WARNING RISK OF LOSS OF HEARING

WHAT COULD HAPPEN	HOW TO PREVENT IT
<ul style="list-style-type: none"> • Long term exposure to noise produced from the operation of air tools can lead to permanent hearing loss. 	<ul style="list-style-type: none"> • Always wear ANSI S3.19 hearing protection.

⚠ WARNING INHALATION HAZARD

WHAT COULD HAPPEN	HOW TO PREVENT IT
<ul style="list-style-type: none"> • Abrasive tools, such as grinders, sanders and cut-off tools generate dust and abrasive materials, which can be harmful to human lungs and respiratory system. 	<ul style="list-style-type: none"> • Always wear properly fitting facemask or respirator when using such tools.
<ul style="list-style-type: none"> • Some materials such as adhesives and tar contain chemicals whose vapors could cause serious injury with prolonged exposure. 	<ul style="list-style-type: none"> • Always work in a clean, dry, well-ventilated area.

⚠ WARNING RISK OF INJURY

WHAT COULD HAPPEN	HOW TO PREVENT IT
<ul style="list-style-type: none"> • A tool left unattended, or with the air hose attached, can be activated by unauthorized persons leading to their injury or injury to others. 	<ul style="list-style-type: none"> • Remove air hose when tool is not in use and store tool in secure location away from reach of children and untrained users.
<ul style="list-style-type: none"> • Air tools can propel fasteners or other materials throughout the work area. 	<ul style="list-style-type: none"> • Use only parts, fasteners and accessories recommended by the manufacturer. • Keep work area clean and free of clutter. Keep children and others away from tool while it is in operation. • Keep work area well lit.
<ul style="list-style-type: none"> • A wrench or a key that is left attached to a rotating part of the tool increases the risk of personal injury. 	<ul style="list-style-type: none"> • Remove adjusting keys and wrenches before turning the tool on.
<ul style="list-style-type: none"> • Using inflator nozzles for duster applications can cause serious injury. 	<ul style="list-style-type: none"> • DO NOT use inflator nozzles for duster applications.
<ul style="list-style-type: none"> • Air tools can become activated by accident during maintenance or tool changes. 	<ul style="list-style-type: none"> • Remove air hose to lubricate or add grinding accessories to the tool. • Never carry the tool by hose. • Avoid unintentional starting. Don't carry hooked-up tool with finger on trigger. • Only an authorized service representative should do repair servicing.
<ul style="list-style-type: none"> • Air tools can cause the workpiece to move upon contact, leading to injury. 	<ul style="list-style-type: none"> • Use clamps or other devices to prevent movement.

⚠ WARNING RISK OF INJURY

WHAT COULD HAPPEN	HOW TO PREVENT IT
<ul style="list-style-type: none"> • Loss of control of the tool can lead to injury to self or others. 	<ul style="list-style-type: none"> • Never use tool while using drugs or alcohol. • Don't overreach. Keep proper footing and balance. • Keep handles dry, clean and free from oil/grease. • Stay alert. Watch what you are doing. Use common sense. Do not operate tool when you are tired.
<ul style="list-style-type: none"> • Poor quality, improper or damaged tools and attachments can fly apart during operation, propelling particles throughout the work area causing serious injury. 	<ul style="list-style-type: none"> • Always use tool attachments rated for the speed of the power tool. • Never use tools, which have been dropped, impacted or damaged by use. • Use only qualified grinding accessories on this tool. • Do not apply excessive force to the tool; let the tool perform the work.
<ul style="list-style-type: none"> • Improperly maintained tools and accessories can cause serious injury. 	<ul style="list-style-type: none"> • Maintain the tool and accessories with care. • Keep the tool clean. A properly maintained tool reduces the risk of binding and is easier to control.
<ul style="list-style-type: none"> • There is a risk of bursting if the tool is damaged. 	<ul style="list-style-type: none"> • Check for misalignment or binding of moving parts, breakage of parts and any other condition that affects the tool's operation. If damaged, have the tool serviced before using.
<ul style="list-style-type: none"> • Use only accessories identified by the manufacturer to be used with specific tools. 	<ul style="list-style-type: none"> • Use of an accessory not intended for use with the specific tools increases the risk of injury to persons.

⚠ WARNING RISK OF ELECTRIC SHOCK

WHAT COULD HAPPEN	HOW TO PREVENT IT
<ul style="list-style-type: none"> • Using air tools to attach electrical wiring can result in electrocution or death. 	<ul style="list-style-type: none"> • Never use tools to attach electrical wiring while energized.
<ul style="list-style-type: none"> • This tool is not provided with an insulated gripping surface. Contact with a "live" wire will also make exposed metal parts of the tool "live" and can result in electrocution or death. 	<ul style="list-style-type: none"> • Avoid body contact with grounded surfaces such as pipes, radiators, ranges and refrigerators. There is an increased risk of electric shock if your body is grounded.

⚠ WARNING RISK OF ELECTRIC SHOCK

WHAT COULD HAPPEN	HOW TO PREVENT IT
<ul style="list-style-type: none">• Air tool accessories such as grinding stones that come into contact with hidden electrical wiring could cause electrocution or death.	<ul style="list-style-type: none">• Thoroughly investigate the workpiece for possible hidden wiring before performing work.

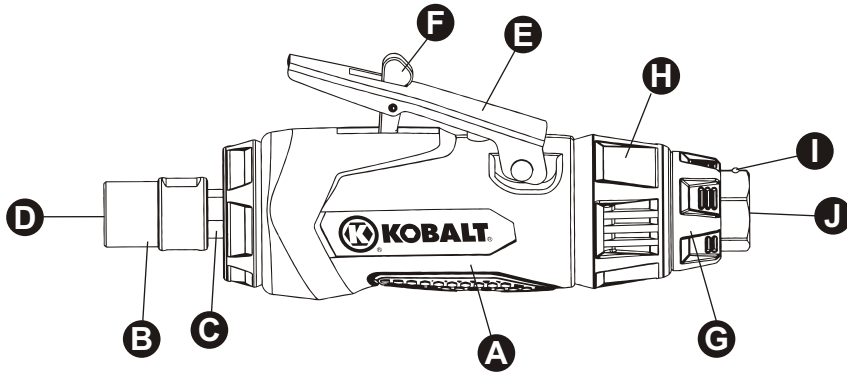
⚠ WARNING RISK OF ENTANGLEMENT

WHAT COULD HAPPEN	HOW TO PREVENT IT
<ul style="list-style-type: none">• Tools which contain moving elements, or drive other moving parts, such as grinding accessories, can become entangled in hair, clothing, jewelry and other loose objects, resulting in severe injury.	<ul style="list-style-type: none">• Never wear loose fitting clothes or apparel that contains loose straps or ties, etc., which could become entangled in moving parts of the tools.• Remove any jewelry, watches, identifications, bracelets, necklaces, etc., which might become caught by the tool.• Keep hands away from moving parts. Tie up or cover long hair.• Always wear proper fitting clothing and other safety equipment when using the tool.

⚠ WARNING RISK OF CUT OR BURNS

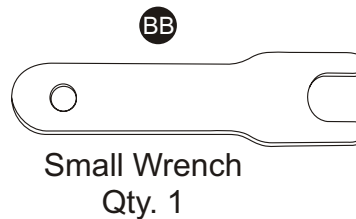
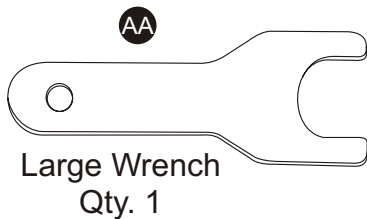
WHAT COULD HAPPEN	HOW TO PREVENT IT
<ul style="list-style-type: none">• A rotary tool would be capable of causing serious injury if it was operated in an improper way.	<ul style="list-style-type: none">• Keep the working part of the tool away from hands and body.

PACKAGE CONTENTS



PART	DESCRIPTION	QUANTITY
A	1/4 in. Air Rotary Tool	1
B	Collet Jacket	1
C	Collet Holder	1
D	Collet	1
E	Trigger	1
F	Lever	1
G	Air Regulator	1
H	Exhaust Deflector	1
I	Steel Ball	1
J	Air Inlet	1

HARDWARE CONTENTS



PREPARATION

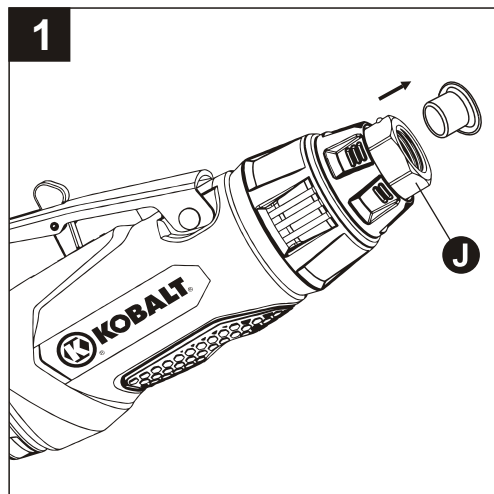
Before beginning assembly of product, make sure all parts are present. Compare parts with package contents list and hardware contents above. If any part is missing or damaged, do not attempt to assemble the product. Contact customer service for replacement parts.

Estimated Assembly Time: 5-10 minutes

Tools Required for Assembly (not included): Adjustable wrench

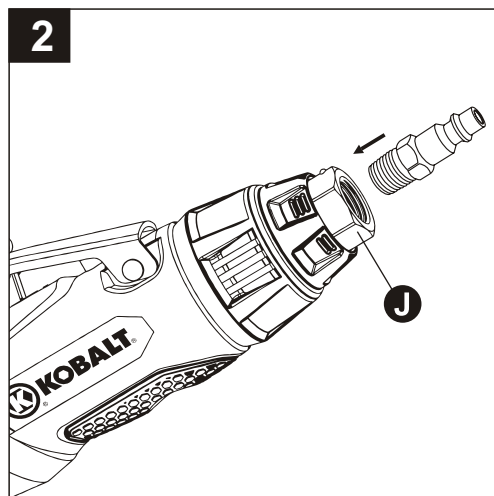
ASSEMBLY INSTRUCTIONS

1. Remove the air inlet protective cap from the air inlet (J). (See Figure 1)

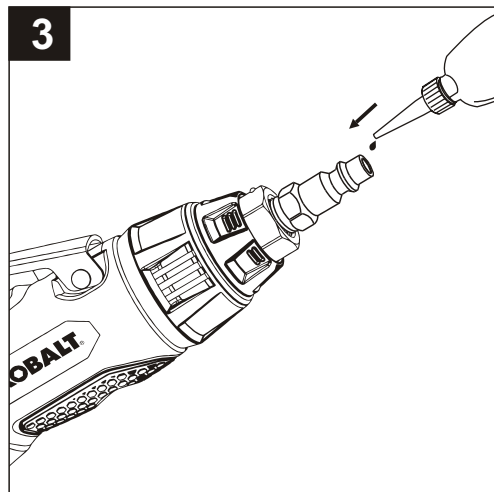


2. Mount a male plug (not included) by hand into the air inlet (J). (See Figure 2)

NOTE Use thread sealant tape (not included) on the male plug and tighten it with a wrench (not included) for airtight connection. Do not overtighten.

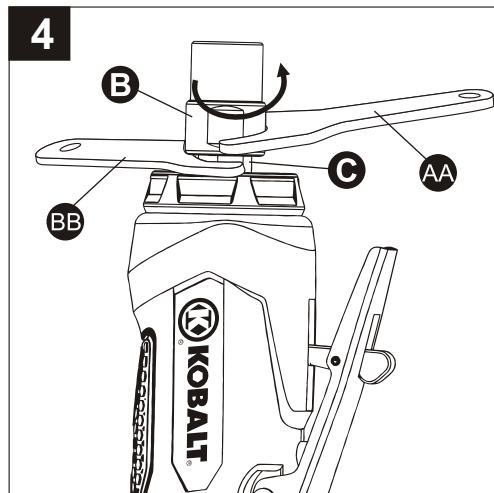


3. Place 2-3 drops of air tool oil (not included) into the male plug before each use. (See Figure 3)

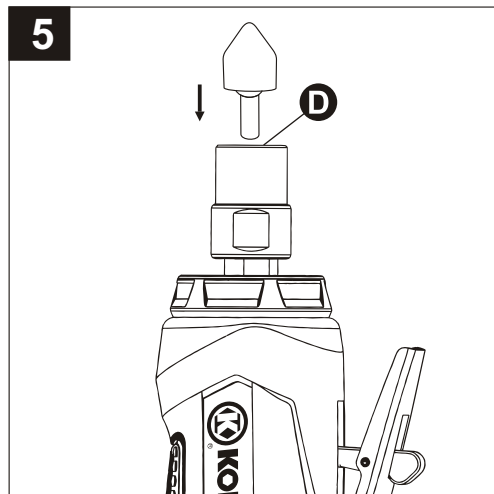


ASSEMBLY INSTRUCTIONS

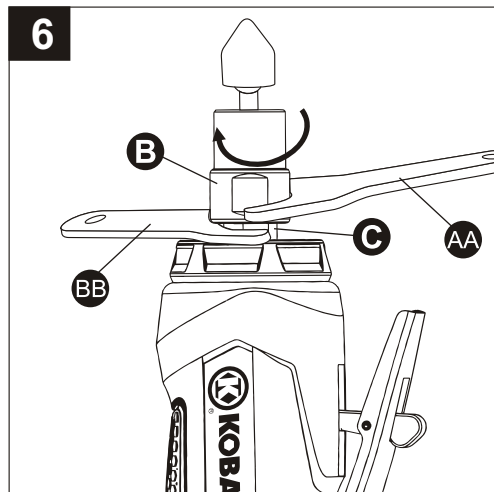
- Loosen the collet jacket (B) counterclockwise by hand or with the large wrench (AA) while holding the small wrench (BB) on the flats of the collet holder (C). (See Figure 4)



- Insert a grinding accessory like a grinding stone (not included) into the collet (D). (See Figure 5)



- Tighten the collet jacket (B) clockwise with large wrench (AA) while holding the small wrench (BB) on the flats of the collet holder (C). Make sure that the grinding stone is installed securely and tightly. (See Figure 6)



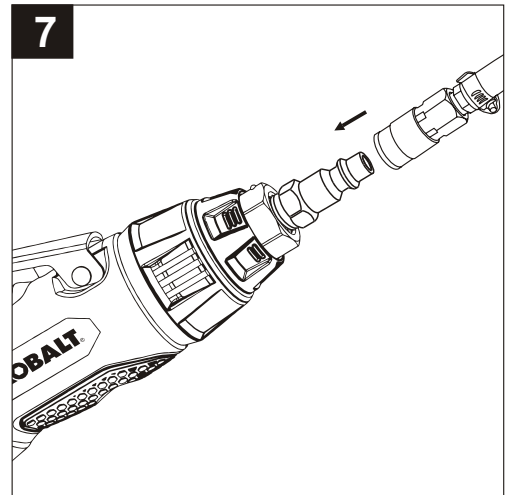
⚠WARNING

Only use grinding accessories that have an RPM rating equal to or greater than the tool itself.

ASSEMBLY INSTRUCTIONS

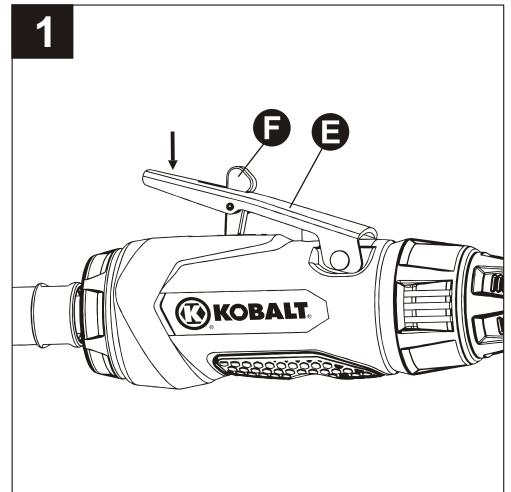
7. Connect air supply hose to the male plug. Set the working pressure at 90 PSI for best tool performance. (See Figure 7)

NOTE Working pressure refers to the air line pressure set to tool when tool is under working conditions.

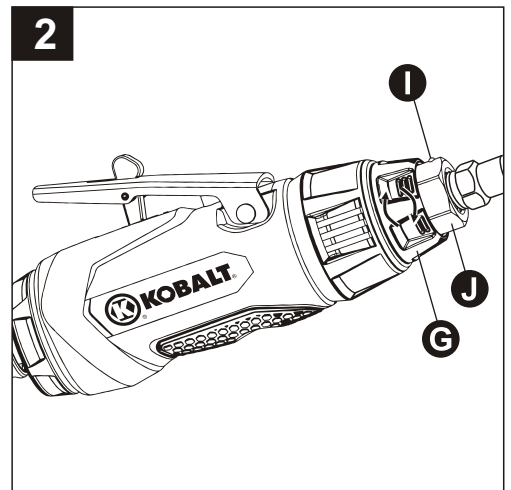


OPERATING INSTRUCTIONS

Push lever (F) forward and press down on the trigger (E) to start the tool (A). (See Figure 1)

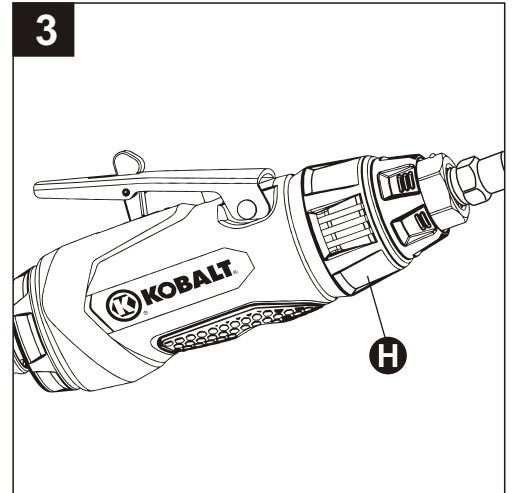


NOTE This tool features a power regulator valve. Rotate the air regulator (G) until desired output is achieved. The settings 1, 2, 3, 4 are only for reference and do not denote a specific power output. “Setting 1” (one-line symbol) is the lowest speed while “Setting 4” (four-line symbol) is the highest speed. Rotate the air regulator (G) until the desired setting is lined up with the small steel ball (I) on air inlet (J). (See Figure 2)



OPERATING INSTRUCTIONS

NOTE This tool also features an exhaust deflector (H) that deflects exhaust air downward. (See Figure 3)



CARE AND MAINTENANCE

An in-line oiler is recommended to be installed on air supply line as it increases tool life and keeps the tool in sustained operation. The in-line oiler should be regularly checked and filled with air-tool oil. Proper adjustment of the in-line oiler is performed by placing a sheet of paper next to the tool's exhaust ports and holding the throttle open approximately 30 seconds. The in-line oiler is properly set when a light stain of oil collects on the paper. Excessive amounts of oil should be avoided.

In the event that it becomes necessary to store the tool for an extended period of time, it should receive a generous amount of lubrication at that time. The tool should be run for approximately 30 seconds to ensure oil has been evenly distributed throughout the tool. The tool should be stored in a clean and dry environment.

Recommended lubricants: use air-tool oil or any other high-grade turbine oil containing moisture absorbent, rust inhibitors, metal wetting agents and an EP (extreme pressure) additive.

Clean the tool all over with a cotton rag after each use. Keep the tool in a dry and safe place out of reach of children.

TROUBLESHOOTING

PROBLEM	POSSIBLE CAUSE	CORRECTIVE ACTION
Tool runs slowly or will not operate	<ol style="list-style-type: none"> 1. Grit or gum in tool. 2. No oil in tool. 3. Low air pressure. 4. Air hose leaks. 5. Pressure drops. 6. Worn rotor blade. 7. Moisture blowing out of tool exhaust. 	<ol style="list-style-type: none"> 1. Flush the tool with air-tool oil or gum solvent. 2. Lubricate the tool. 3. a. Adjust the regulator on the tool to maximum setting. b. Adjust the compressor regulator to tool maximum of 90 PSI. 4. Tighten and seal hose fittings if leaks are found. Use sealing tape. 5. a. Be sure the hose is the proper size. Long hose or tools using large volumes of air may require a hose with an I.D. of 1/2 in. or larger depending on the total length of the hoses. b. Do not use a multiple number of hoses connected together with quick-connect fittings. This causes additional pressure drops and reduces the tool power. Directly connect the hoses together. 6. Replace rotor blade. 7. Water in tank; drain tank. (See air compressor manual). Oil tool and run until no water is evident. Oil tool again and run 1-2 seconds.

THREE-YEAR LIMITED WARRANTY

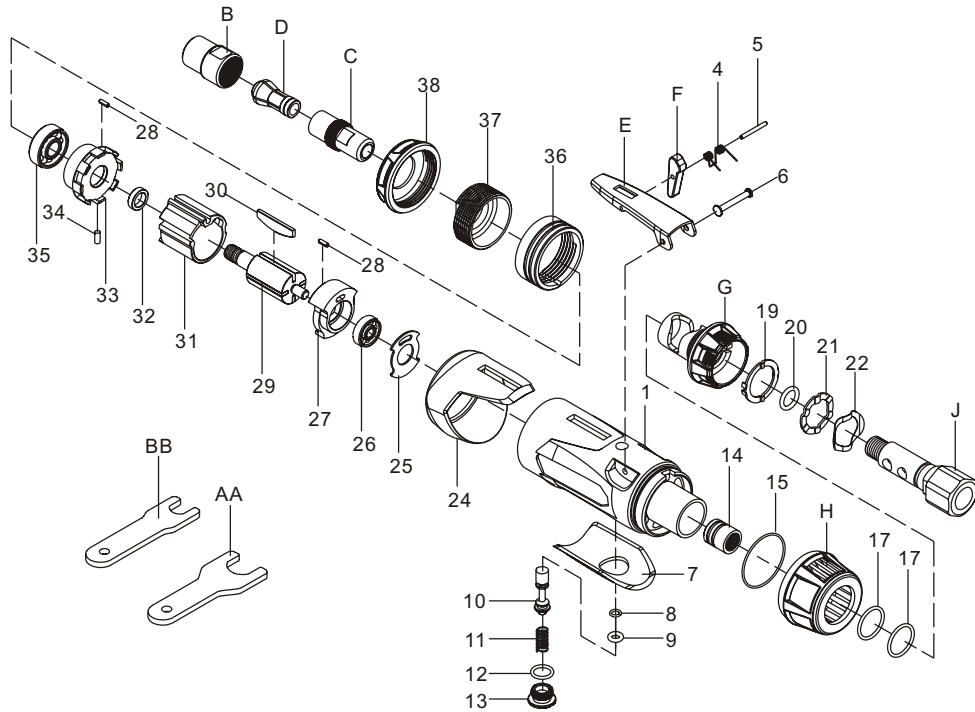
This tool is warranted by the manufacturer to the original purchaser from the original purchase date for three (3) years subject to the warranty coverage described herein. This tool is warranted to the original user to be free from defect in material and workmanship. If you believe that a tool is defective, return the tool, with proper proof of purchase to the point of purchase. If it is determined that the tool is defective and covered by this warranty, the distributor will replace the tool or refund the purchase price.

This warranty is void if: defects in materials or workmanship or damages result from repairs or alterations which have been made or attempted by others or the unauthorized use of nonconforming parts; the damage is due to normal wear, damage is due to abuse (including overloading of the tool beyond capacity), improper maintenance, neglect or accident; or the damage is due to the use of the tool after partial failure or use with improper accessories or unauthorized repair or alteration. This warranty gives you specific legal rights, and you may also have other rights that vary from state to state.

For warranty questions, call our customer service department at 1-888-3KOBALT, 8:00 a.m.-8:00 p.m. EST, Monday-Friday.

REPLACEMENT PARTS LIST

For replacement parts, call our customer service department at 1-888-3KOBALT, 8:00 a.m.-8:00 p.m., EST, Monday-Friday.



Part No.	Description	Qty.	Part No.	Description	Qty.
1	Housing	1	J	Air inlet	1
E	Trigger	1	24	Housing cover	1
F	Lever	1	25	Gasket	1
4	Spring	1	26	Bearing	1
5	Pin	1	27	Rear plate	1
6	Trigger pin	1	28	Pin	2
7	Soft grip	1	29	Rotor	1
8	O-ring	1	30	Rotor blade	4
9	O-ring	1	31	Cylinder	1
10	Valve stem	1	32	Rotor collar	1
11	Valve spring	1	33	Front plate	1
12	O-ring	1	34	Pin	1
13	Valve plug	1	35	Bearing	1
14	Valve bushing	1	36	Valve bushing	1
15	O-ring	1	37	Clamp nut	1
H	Exhaust deflector	1	38	Protector	1
17	O-ring	2	C	Collet holder	1
G	Air regulator	1	D	Collet	1
19	Set plate	1	B	Collet jacket	1
20	O-ring	1	BB	Small wrench	1
21	Set plate	1	AA	Large wrench	1
22	Gasket	1			

Printed in China

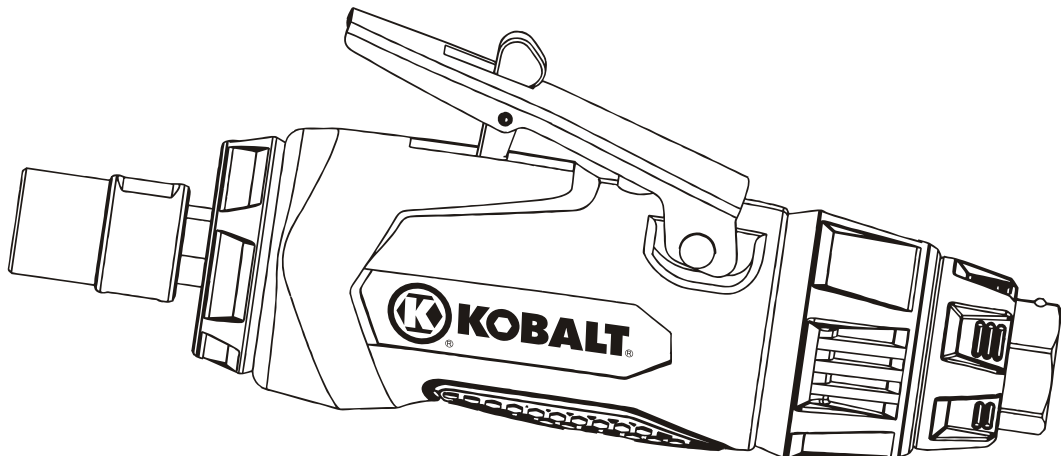


ARTICLE #0082215

OUTIL ROTATIF PNEUMATIQUE DE 1/4 PO

MODÈLE #SGY-AIR133

KOBALT® et le motif de K® sont des marques de commerce déposées de LF, LLC. Tous droits réservés.



JOIGNEZ VOTRE REÇU ICI

Numéro de série _____ **Date d'achat** _____



Des questions, des problèmes, des pièces manquantes? Avant de retourner l'article au détaillant, communiquez avec notre service à la clientèle au 1 888 3KOBALT, entre 8 h et 20 h (HNE), du lundi au vendredi.

TABLE DES MATIÈRES

Consignes de sécurité	17
Contenu de l'emballage	22
Quincaillerie incluse	22
Préparation	22
Instructions pour l'assemblage	23
Mode d'emploi	25
Entretien	26
Dépannage	27
Garantie	28
Liste des pièces de rechange	29

! CONSIGNES DE SÉCURITÉ

Veillez vous assurer de lire et de comprendre l'intégralité du présent guide avant d'assembler, d'utiliser ou d'installer ce produit. Si vous avez des questions concernant ce produit, veuillez téléphoner au service à la clientèle au 1 888 3KOBALT, entre 8 h et 20 h (HNE), du lundi au vendredi.

⚠ AVERTISSEMENT

Une utilisation ou un entretien inadéquat de ce produit peut causer des blessures graves ou des dommages matériels. Assurez-vous de lire et de comprendre tous les avertissements et toutes les instructions concernant ce produit avant de l'utiliser. Lorsque vous utilisez un outil pneumatique, observez toujours les mesures de sécurité de base afin de réduire les risques de blessure.

⚠ AVERTISSEMENT

La poussière créée pendant le ponçage, le sciage, le polissage, le perçage et d'autres activités peut contenir des produits chimiques reconnus par l'État de la Californie comme étant la cause de cancers, d'anomalies congénitales et d'autres problèmes liés aux fonctions reproductrices. Vous pouvez obtenir la liste des produits chimiques au www.oehha.ca.gov, conformément à la proposition 65. Voici quelques-uns de ces produits chimiques :

- du plomb provenant de peintures à base de plomb;
- de la silice cristalline provenant de la brique, du ciment ou d'autres matériaux de maçonnerie;
- de l'arsenic et du chrome provenant du bois d'œuvre traité avec un produit chimique.

Les utilisateurs de ces outils doivent passer en revue la composition chimique de la surface de travail et de tout produit utilisé avec ces outils pour vérifier s'ils contiennent lesdits produits chimiques avant de commencer toute activité qui crée de la poussière ou des particules microscopiques.

Les utilisateurs doivent se procurer les fiches signalétiques de tous les produits chimiques identifiés auprès du fabricant ou de leur employeur et lire, comprendre et suivre les consignes et les avertissements relatifs à l'exposition auxdits produits chimiques.

Votre risque d'exposition varie selon la fréquence de ce genre d'activité. Afin de limiter votre exposition à ces produits chimiques, travaillez dans un endroit bien ventilé et utilisez de l'équipement de sécurité approuvé, comme un masque antipoussière conçu spécialement pour filtrer les particules microscopiques.

CARACTÉRISTIQUES DU PRODUIT

COMPOSANTE	CARACTÉRISTIQUES
PINCE	1/4 po
VITESSE LIBRE	25 000 tours/minute +/- 10 %
CONSOMMATION D'AIR MOYENNE	4 pi³/min
ENTRÉE D'AIR	Filetage NPT 1/4 po
TUYAU À AIR	3/8 po
PRESSIION DE SERVICE	90 lb/po²

⚠ AVERTISSEMENT**RISQUES DE BLESSURE AUX YEUX OU À LA TÊTE**

RISQUE	MESURES PRÉVENTIVES
<ul style="list-style-type: none"> • Les outils pneumatiques peuvent projeter des attaches, des fragments de métal, des sciures de bois et d'autres débris, ce qui peut causer des blessures graves aux yeux. 	<ul style="list-style-type: none"> • Portez toujours des lunettes de sécurité conformes à la norme ANSI Z87.1 et pourvues d'écrans latéraux. • Ne laissez jamais un outil en marche sans personne dans la pièce. Débranchez le tuyau à air lorsque vous n'utilisez pas l'outil.
<ul style="list-style-type: none"> • L'air comprimé peut causer des blessures aux tissus mous, par exemple les yeux et les oreilles. De plus, les débris et les objets propulsés par le jet d'air peuvent entraîner des blessures. 	<ul style="list-style-type: none"> • Pour plus de protection, utilisez un écran facial approuvé en plus de lunettes de sécurité.
<ul style="list-style-type: none"> • Les accessoires de l'outil peuvent se desserrer ou se briser et être projetés en direction de l'utilisateur ou d'autres personnes présentes dans l'aire de travail. 	<ul style="list-style-type: none"> • Assurez-vous que les accessoires sont bien fixés.

⚠ AVERTISSEMENT**RISQUES D'INCENDIE OU D'EXPLOSION**

RISQUE	MESURES PRÉVENTIVES
<ul style="list-style-type: none"> • Un outil rotatif peut produire des étincelles susceptibles d'enflammer certains matériaux. 	<ul style="list-style-type: none"> • N'utilisez jamais un outil à proximité d'une substance inflammable comme de l'essence, du naphta, des solvants de nettoyage, etc. • Travaillez dans un endroit propre, bien ventilé et dépourvu de matériaux combustibles. • N'utilisez jamais d'oxygène, de dioxyde de carbone ni d'autre gaz embouteillé comme source d'alimentation pour les outils pneumatiques.
<ul style="list-style-type: none"> • Si vous dépassez la capacité de pression maximale des outils et accessoires, vous risquez de provoquer une explosion pouvant causer des blessures graves. 	<ul style="list-style-type: none"> • N'utilisez que de l'air comprimé dont la pression est régularisée sous la capacité de pression maximale de tous les accessoires de l'outil. • Ne branchez jamais ce produit à une source d'alimentation en air pouvant excéder les 200 lb/po². • Avant d'utiliser un outil pneumatique, vérifiez toujours que la source d'alimentation en air a été réglée en fonction de la capacité de pression de l'outil.

⚠ AVERTISSEMENT RISQUE DE PERTE AUDITIVE

RISQUE	MESURES PRÉVENTIVES
<ul style="list-style-type: none"> • Une exposition prolongée au bruit produit par l'utilisation d'outils pneumatiques peut entraîner une perte auditive permanente. 	<ul style="list-style-type: none"> • Portez toujours des protecteurs auditifs conformes à la norme ANSI S3.19.

⚠ AVERTISSEMENT RISQUES D'INHALATION

RISQUE	MESURES PRÉVENTIVES
<ul style="list-style-type: none"> • Les outils abrasifs comme les meuleuses, les ponceuses et les outils à tronçonner engendrent de la poussière et des matériaux abrasifs pouvant causer des dommages aux poumons et au système respiratoire. 	<ul style="list-style-type: none"> • Portez toujours un respirateur ou un écran facial bien ajusté lorsque vous utilisez ce genre d'outils.
<ul style="list-style-type: none"> • Certains matériaux, notamment les adhésifs et le goudron, contiennent des produits chimiques dont les vapeurs peuvent être nocives après une exposition prolongée. 	<ul style="list-style-type: none"> • Travaillez toujours dans un endroit propre, sec et bien ventilé.

⚠ AVERTISSEMENT RISQUES DE BLESSURE

RISQUE	MESURES PRÉVENTIVES
<ul style="list-style-type: none"> • Si vous laissez un outil sans surveillance ou que vous ne débranchez pas son tuyau à air lorsque vous cessez de l'utiliser, il risque d'être mis en marche par une personne non expérimentée et de la blesser ou de blesser d'autres personnes. 	<ul style="list-style-type: none"> • Lorsque vous n'utilisez pas l'outil, rangez-le dans un endroit sécuritaire, hors de la portée des enfants et autres personnes inexpérimentées, et débranchez le tuyau à air.
<ul style="list-style-type: none"> • Les outils pneumatiques peuvent projeter des attaches ou d'autres matériaux dans l'aire de travail. 	<ul style="list-style-type: none"> • N'utilisez que des pièces, attaches et accessoires recommandés par le fabricant. • Gardez l'aire de travail propre et dépourvue de débris. Gardez les enfants et autres personnes non autorisées à l'écart lorsque vous utilisez l'outil. • Gardez l'aire de travail bien éclairée.
<ul style="list-style-type: none"> • Une clé laissée fixée à l'outil augmente les risques de blessure. 	<ul style="list-style-type: none"> • Avant de mettre l'outil en marche, retirez les clés qui y sont fixées.
<ul style="list-style-type: none"> • L'utilisation d'un embout de gonflage pour l'époussetage peut causer des blessures graves. 	<ul style="list-style-type: none"> • N'utilisez PAS d'embout de gonflage pour l'époussetage.

⚠ AVERTISSEMENT RISQUES DE BLESSURE

RISQUE	MESURES PRÉVENTIVES
• Les outils pneumatiques peuvent être accidentellement mis en marche lorsque vous les entretenez ou que vous changez d'outil.	• Débranchez le tuyau à air avant de lubrifier l'outil ou d'y fixer une meuleuse. • Ne tenez jamais l'outil par son tuyau. • Pour éviter de mettre l'outil en marche accidentellement, ne gardez pas votre doigt sur la gâchette inutilement. • Seuls les représentants autorisés devraient effectuer l'entretien et les réparations de l'outil.
• Les outils pneumatiques peuvent déplacer les pièces que vous travaillez, ce qui peut causer des blessures.	• Maintenez les pièces en place à l'aide d'attaches ou autres dispositifs de fixation.
• Une perte de maîtrise de l'outil peut causer des blessures à l'utilisateur ou à d'autres personnes.	• N'utilisez jamais l'outil sous l'effet de drogues ou de l'alcool. • Évitez de vous étirer pour étendre votre portée. Conservez un bon équilibre. • Gardez le manche sec, propre et exempt d'huile et de graisse. • Soyez vigilant, prêtez attention à ce que vous faites et usez de votre jugement. N'utilisez pas l'outil si vous êtes fatigué.
• Des outils de mauvaise qualité, endommagés ou inappropriés ou bien des pièces peuvent se détacher lors de leur utilisation et projeter des débris dans l'aire de travail, ce qui peut entraîner des blessures graves.	• N'utilisez que des accessoires qui conviennent à la vitesse de l'outil électrique. • N'utilisez jamais d'outils qui ont subi un impact ou qui ont été endommagés par l'utilisation. • N'utilisez que des meules appropriées. • N'exercez pas une pression excessive sur l'outil; laissez-le accomplir la tâche lui-même.
• Les outils et accessoires mal entretenus peuvent causer des blessures graves.	• Entretenez soigneusement l'outil et les accessoires. • Assurez-vous que l'outil est toujours propre. Un outil bien entretenu risque moins de s'enrayer et est plus facile à maîtriser.
• Un outil endommagé présente des risques de rupture.	• Vérifiez les pièces pour vous assurer qu'elles ne sont pas désalignées, enrayerées, brisées, ou dans un quelconque état pouvant nuire à leur fonctionnement. Si elles sont endommagées, faites-les réparer avant d'utiliser l'outil.
• N'utilisez que des accessoires recommandés par le fabricant pour l'outil.	• L'utilisation d'un accessoire qui n'est pas conçu pour l'outil augmente les risques de blessure.

⚠ AVERTISSEMENT RISQUE DE CHOC ÉLECTRIQUE

RISQUE	MESURES PRÉVENTIVES
<ul style="list-style-type: none"> • L'utilisation d'un outil pneumatique pour fixer des fils électriques peut causer des chocs électriques potentiellement mortels. 	<ul style="list-style-type: none"> • Ne fixez jamais des fils sous tension à l'aide d'outils.
<ul style="list-style-type: none"> • La poignée de cet outil n'est pas isolée. Lorsque l'outil entre en contact avec un fil sous tension, ses parties métalliques exposées peuvent causer des chocs électriques potentiellement mortels. 	<ul style="list-style-type: none"> • Évitez de toucher à des surfaces mises à la terre, par exemple un tuyau, un radiateur, une cuisinière ou un réfrigérateur. Le contact de votre corps avec une surface mise à la terre augmente les risques de choc électrique.
<ul style="list-style-type: none"> • Le contact d'accessoires comme les meules avec des fils électriques dissimulés peut causer des chocs électriques potentiellement mortels. 	<ul style="list-style-type: none"> • Avant de commencer à travailler, vérifiez soigneusement la surface pour déceler les fils dissimulés.

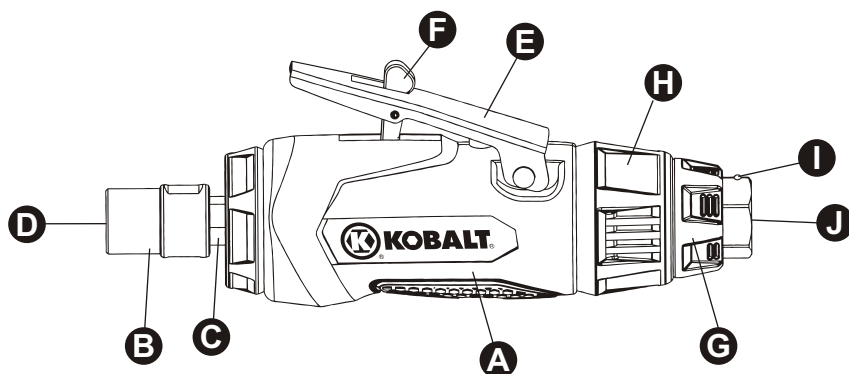
⚠ AVERTISSEMENT RISQUE D'EMMÊLEMENT

RISQUE	MESURES PRÉVENTIVES
<ul style="list-style-type: none"> • Les outils qui contiennent ou déplacent des pièces mobiles, par exemple les accessoires à meule, peuvent s'emmêler dans les cheveux, les bijoux ou les vêtements amples et causer des blessures graves. 	<ul style="list-style-type: none"> • Ne portez jamais de vêtements amples ou comportant des lanières, des lacets ou autres éléments similaires pouvant s'emmêler dans les pièces mobiles de l'outil. • Enlevez tout bijou, montre, porte-nom, bracelet, collier, etc., pouvant se prendre dans l'outil. • Gardez vos mains éloignées des pièces mobiles. Attachez ou couvrez vos cheveux s'ils sont longs. • Portez toujours des vêtements bien ajustés et l'équipement de protection approprié lorsque vous utilisez l'outil.

⚠ AVERTISSEMENT RISQUE DE COUPURE OU DE BRÛLURE

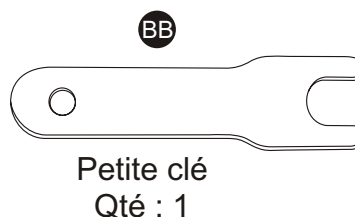
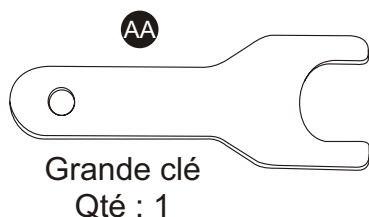
RISQUE	MESURES PRÉVENTIVES
<ul style="list-style-type: none"> • Un outil rotatif peut causer des blessures graves s'il n'est pas utilisé adéquatement. 	<ul style="list-style-type: none"> • Prenez garde à vos mains lorsque vous utilisez l'outil.

CONTENU DE L'EMBALLAGE



PIÈCE	DESCRIPTION	QUANTITÉ
A	Outil rotatif pneumatique de 1/4 po	1
B	Chemise du mandrin	1
C	Porte-mandrin	1
D	Mandrin	1
E	Gâchette	1
F	Levier	1
G	Régulateur de débit d'air	1
H	Déflexeur d'éjection	1
I	Balle en acier	1
J	Entrée d'air	1

QUINCAILLERIE INCLUSE



PRÉPARATION

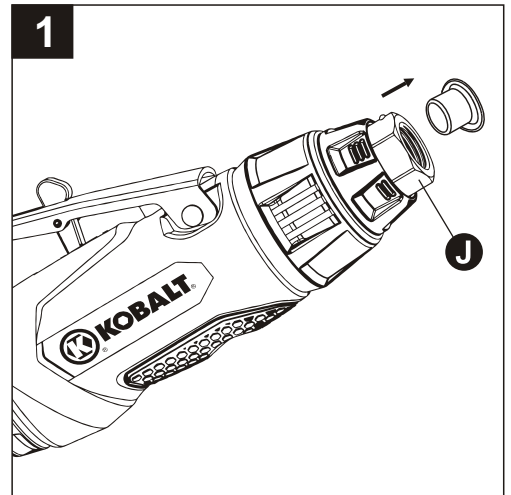
Avant de commencer l'assemblage du produit, assurez-vous d'avoir toutes les pièces. Comparez les pièces avec la liste du contenu de l'emballage et celle de la quincaillerie ci-dessus. S'il y a des pièces manquantes ou endommagées, ne tentez pas d'assembler le produit. Communiquez avec le service à la clientèle pour obtenir des pièces de rechange.

Temps d'assemblage approximatif : de cinq à dix minutes.

Outil nécessaire pour l'assemblage (non inclus) : Clé à molette.

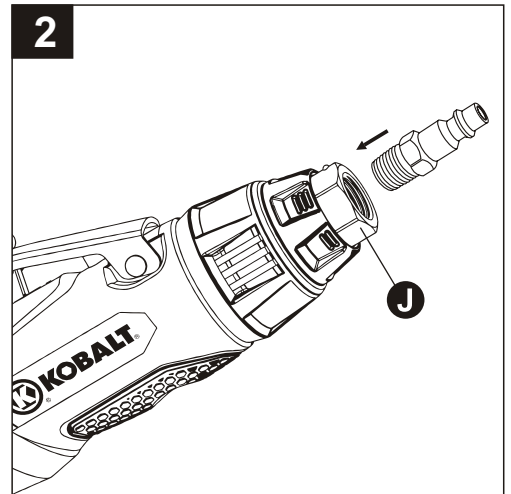
INSTRUCTIONS POUR L'ASSEMBLAGE

1. Retirez le capuchon protecteur de l'entrée d'air de l'outil (J). (Consultez la figure 1.)

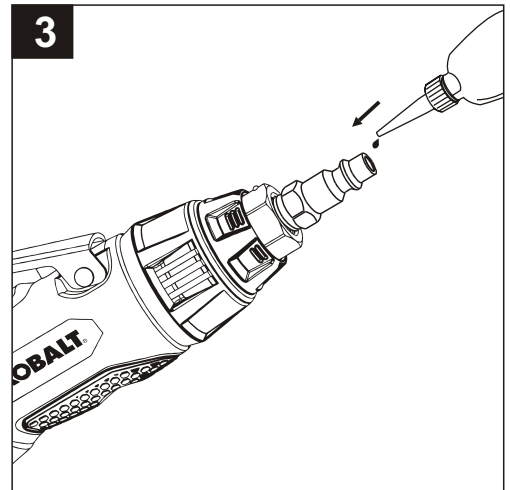


2. Fixez manuellement le connecteur mâle (non inclus) dans l'entrée d'air (J). (Consultez la figure 2.)

REMARQUE Pour que le raccord soit étanche à l'air, entourez le connecteur mâle avec du ruban d'étanchéité (non inclus), puis serrez-le avec une clé (non incluse). Évitez de serrer excessivement.

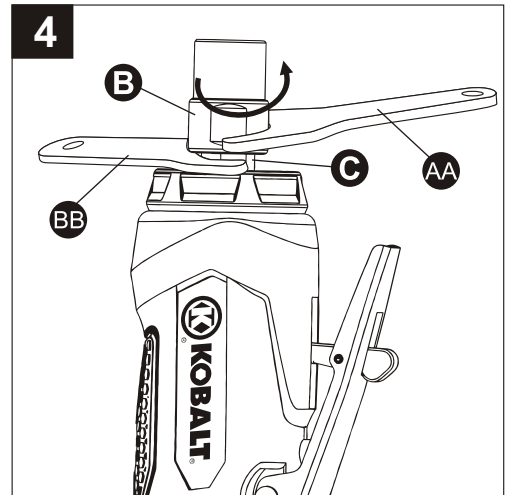


3. Versez deux ou trois gouttes d'huile à outil pneumatique (non inclus) dans le connecteur mâle avant chaque utilisation. (Consultez la figure 3.)

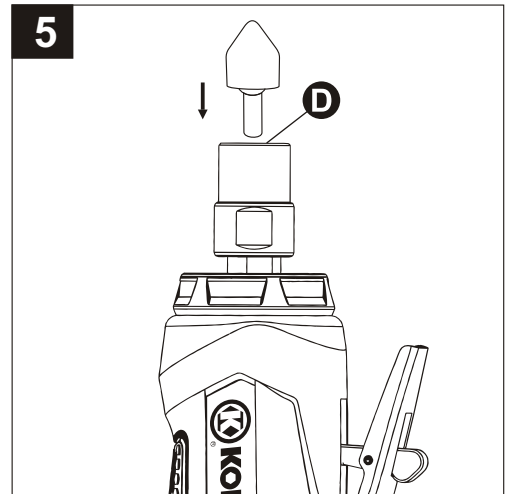


INSTRUCTIONS POUR L'ASSEMBLAGE

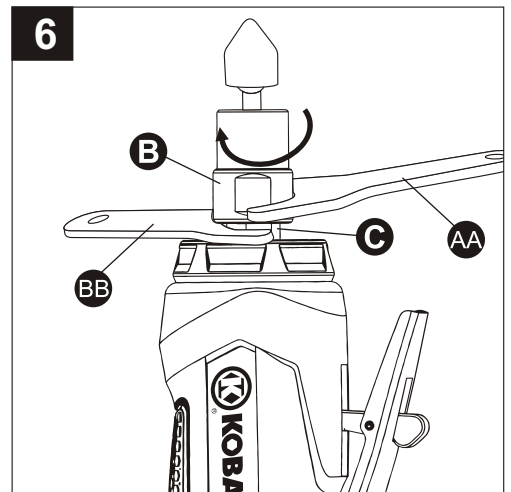
4. Desserrez la chemise du mandrin (B) dans le sens contraire des aiguilles d'une montre manuellement ou à l'aide de la grande clé (AA) tout en tenant la petite clé (BB) sur les facettes du porte-mandrin (C). (Consultez la figure 4.)



5. Insérez un accessoire à meule (non inclus) dans le trou du mandrin (D). (Consultez la figure 5.)



6. Serrez la chemise du mandrin (B) dans le sens des aiguilles d'une montre manuellement ou à l'aide de la grande clé (AA) tout en tenant la petite clé (BB) sur les facettes du porte-mandrin (C). Assurez-vous que la meule est bien installée et serrée. (Consultez la figure 6.)



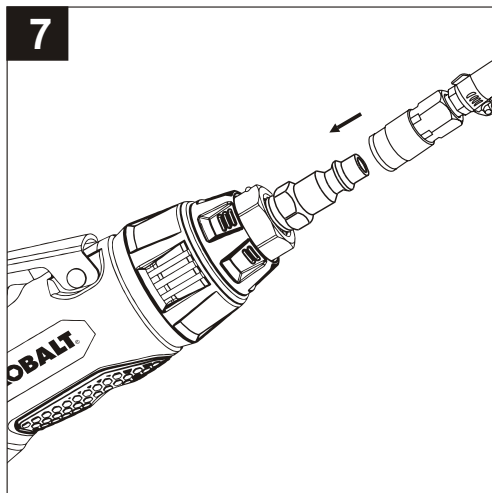
⚠ AVERTISSEMENT

N'utilisez que des accessoires à meule prenant en charge un nombre de tours/minute équivalent ou supérieur à celui de l'outil.

INSTRUCTIONS POUR L'ASSEMBLAGE

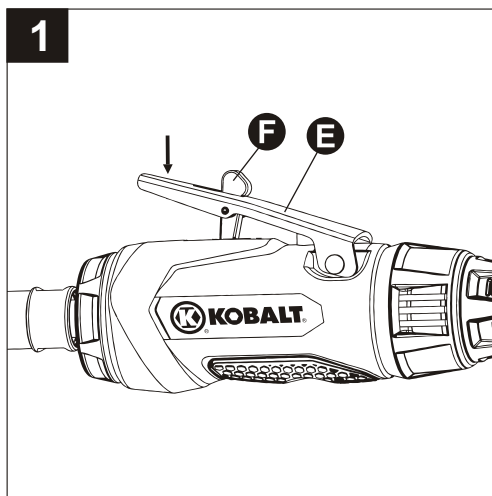
7. Branchez le tuyau à air sur le connecteur mâle.
Pour un fonctionnement optimal, réglez la pression de service à 90 lb/po².
(Consultez la figure 7.)

REMARQUE La pression de service correspond à la pression dans la conduite d'air quand l'outil est utilisé.

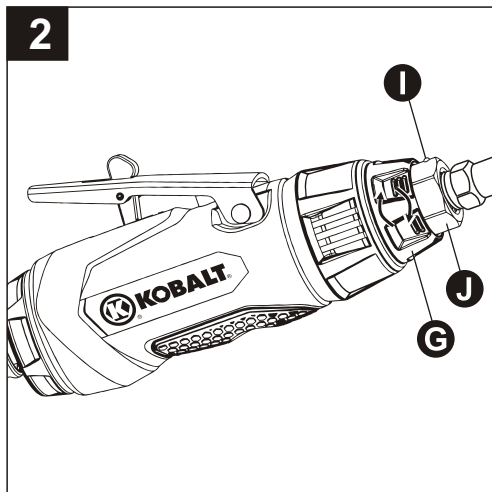


MODE D'EMPLOI

- Poussez le levier (F) vers l'avant et appuyez sur la gâchette (E) pour mettre l'outil en marche (A).
(Consultez la figure 1.)

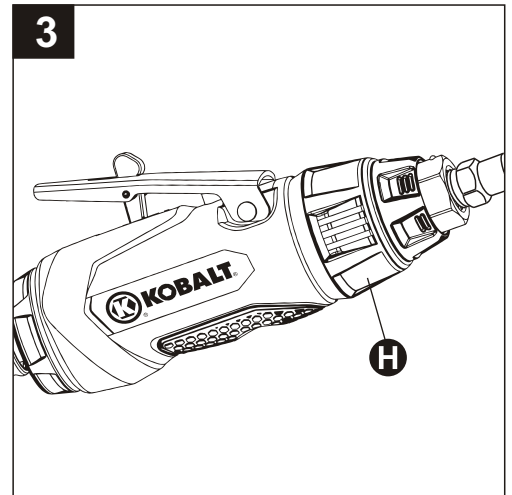


REMARQUE Cet outil comprend un régulateur de puissance. Tournez le régulateur de débit d'air (G) jusqu'à la position souhaitée. Les réglages 1, 2, 3, 4 sont à titre de référence seulement et n'indiquent pas une vitesse déterminée. Le réglage 1 (symbolisé par une ligne unique) correspond à la vitesse la plus lente tandis que le réglage 4 (symbolisé par quatre lignes) est plus rapide. Tourner le régulateur de débit d'air (G) jusqu'à ce que s'alignent le réglage désiré et la petite bille d'acier (I) se trouvant sur l'entrée d'air (J).
(Consultez la figure 2.)



MODE D'EMPLOI

REMARQUE Cet outil comprend également un déflecteur (H) qui dirige vers le bas l'air qui s'échappe. (Consultez la figure 3.)



ENTRETIEN

Il est recommandé d'installer une burette à huile sur la conduite d'air, car elle prolonge la durée de vie de l'outil tout en lubrifiant ce dernier pendant les périodes d'utilisation intensive. La burette doit être régulièrement vérifiée et remplie d'huile pour outil pneumatique. Pour vérifier si la burette est réglée correctement, placez une feuille de papier à côté des orifices d'échappement de l'outil et maintenez la soupape ouverte pendant environ 30 secondes. Si une légère tache d'huile se forme sur le papier, le réglage de la burette est adéquat. Évitez de lubrifier excessivement l'outil.

S'il vous faut ranger l'outil pour une période prolongée, lubrifiez-le abondamment. Faites-le fonctionner pendant environ 30 secondes pour vous assurer que l'huile a été répartie également dans l'outil. Rangez l'outil dans un endroit propre et sec.

Lubrifiants recommandés : Utilisez de l'huile pour outil pneumatique ou toute autre huile de qualité pour turbine contenant des absorbants d'humidité, des antioxydants, des agents d'arrosage de métal et un additif EP (extrême pression).

Nettoyez l'outil en entier à l'aide d'un linge en coton après chaque utilisation. Rangez l'outil dans un endroit propre et sécuritaire, hors de la portée des enfants.

DÉPANNAGE

PROBLÈME	CAUSE(S) POSSIBLE(S)	MESURE CORRECTIVE
L'outil est lent ou ne fonctionne pas.	<ol style="list-style-type: none"> 1. De la gomme ou des cailloux se sont logés dans l'outil. 2. L'outil manque d'huile. 3. La pression d'air est trop faible. 4. Le tuyau à air fuit. 5. La pression chute. 6. La pale du rotor est usée. 7. De l'humidité s'échappe des orifices de l'outil. 	<ol style="list-style-type: none"> 1. Rincez l'outil avec de l'huile pour outil pneumatique ou du dissolvant de gomme. 2. Lubrifiez l'outil. 3. <ol style="list-style-type: none"> a. Réglez le régulateur de l'outil à son maximum. b. Réglez le régulateur du compresseur de l'outil à sa pression manométrique maximale, soit 90 lb/po². 4. Si vous décelez des fuites, serrez les raccords du tuyau et scellez-le à l'aide de ruban d'étanchéité. 5. <ol style="list-style-type: none"> a. Assurez-vous que le tuyau est de dimensions appropriées. Un tuyau long ou des outils utilisant de grandes quantités d'air peuvent nécessiter un tuyau de 1/2 po de diamètre intérieur ou plus, selon la longueur totale des tuyaux. b. N'utilisez pas des tuyaux multiples reliés par des raccords à branchement rapide; ceux-ci engendrent des chutes de pression additionnelles et diminuent la puissance de l'outil. Raccordez les tuyaux directement. 6. Remplacez la pale du rotor. 7. De l'eau s'est accumulée dans le réservoir, évacuez-la (consultez le manuel du compresseur d'air). Lubrifiez l'outil et faites-le fonctionner jusqu'à ce qu'il n'y ait plus de trace d'eau. Lubrifiez de nouveau l'outil et faites-le fonctionner pendant une ou deux secondes.

GARANTIE LIMITÉE DE TROIS ANS

Cet outil est garanti par le fabricant pour une période de trois (3) ans à partir de la date d'achat, selon les modalités décrites aux présentes.

Cet outil est garanti contre les défauts de matériaux et de fabrication. Si vous croyez qu'il est défectueux, retournez-le, accompagné d'une preuve d'achat acceptable, au point de vente d'origine. Si l'outil est jugé défectueux et qu'il est couvert par la présente garantie, le distributeur l'échangera ou vous remboursera le prix d'achat.

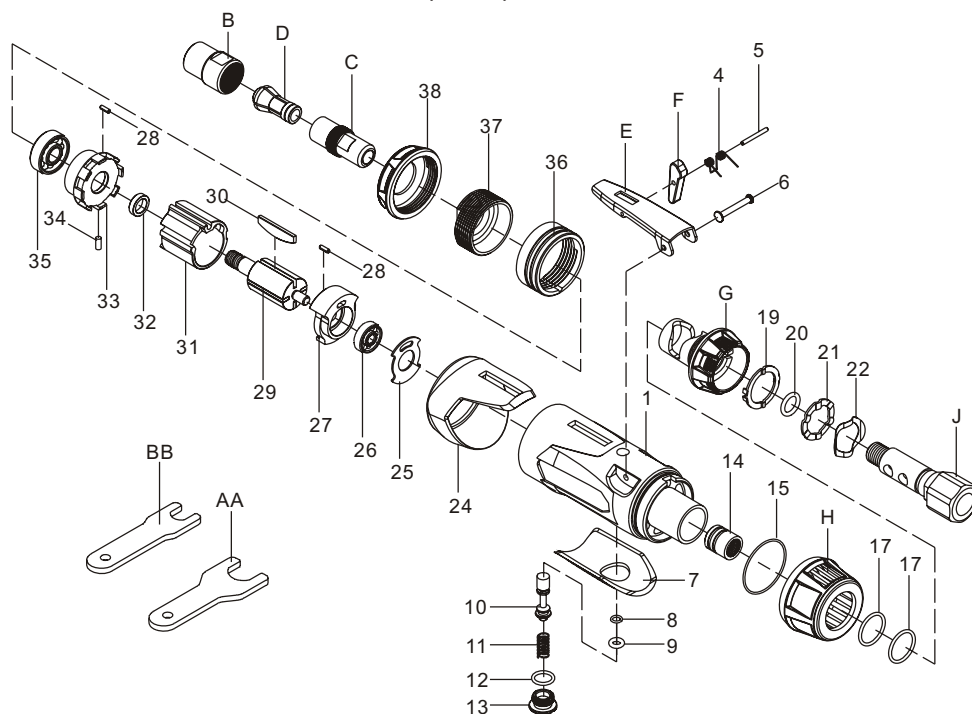
Cette garantie sera annulée si : les défauts de matériaux ou de fabrication ou les dommages résultent de réparations ou de modifications non autorisées, de l'utilisation de pièces non conformes, de l'usure normale, d'un usage abusif (notamment une surcharge de l'outil), d'un entretien inadéquat, d'une négligence, d'un accident, d'une utilisation après une défaillance partielle ou de l'utilisation d'accessoires inappropriés.

Cette garantie vous confère des droits précis. Il est possible que vous disposiez également d'autres droits, qui varient d'un État ou d'une province à l'autre.

Pour toute question concernant la garantie, communiquez avec le service à la clientèle au 1 888 3KOBALT, entre 8 h et 20 h (HNE), du lundi au vendredi.

LISTE DES PIÈCES DE RECHANGE

Pour obtenir des pièces de rechange, communiquez avec notre service à la clientèle au 1 888 3KOBALT, entre 8 h et 20 h (HNE), du lundi au vendredi.



N° de pièce	Description	Qté	N° de pièce	Description	Qté
1	Boîtier	1	J	Entrée d'air	1
E	Gâchette	1	24	Couvercle du boîtier	1
F	Levier	1	25	Joint	1
4	Ressort	1	26	Palier	1
5	Tige	1	27	Plaque arrière	1
6	Douille de la gâchette	1	28	Tige	2
7	Poignée à prise souple	1	29	Rotor	1
8	Joint torique	1	30	Pale du rotor	4
9	Joint torique	1	31	Cylindre	1
10	Tige de soupape	1	32	Collier du rotor	1
11	Ressort de soupape	1	33	Plaque avant	1
12	Joint torique	1	34	Tige	1
13	Soupape	1	35	Palier	1
14	Guide de soupape	1	36	Guide de soupape	1
15	Joint torique	1	37	Écrou de serrage de collier	1
H	Déflacteur d'éjection	1	38	Protecteur	1
17	Joint torique	2	C	Porte-mandrin	1
G	Régulateur de débit d'air	1	D	Mandrin	1
19	Plaque de guidage	1	B	Chemise du mandrin	1
20	Joint torique	1	BB	Petite clé	1
21	Plaque de guidage	1	AA	Grande clé	1
22	Joint	1			

Imprimé en Chine

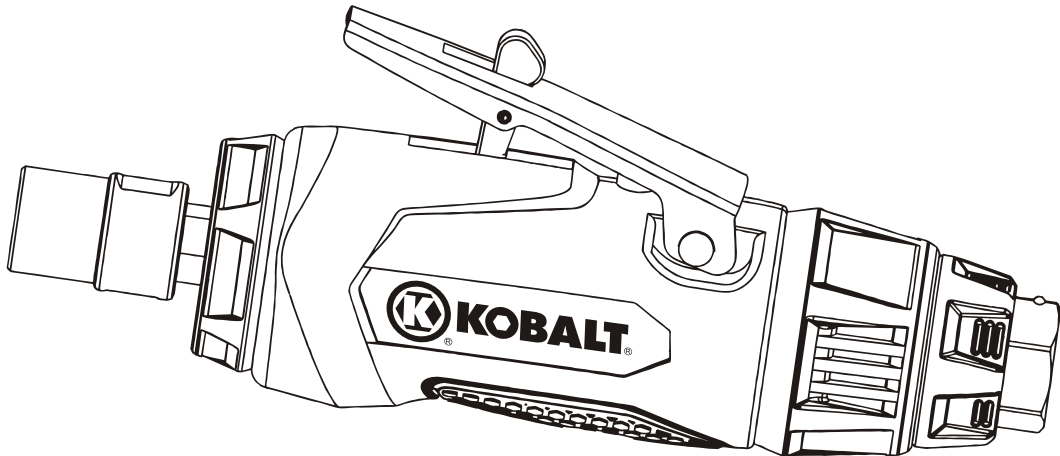


ARTÍCULO #0082215

HERRAMIENTA ROTATIVA NEUMÁTICA DE 1/4"

KOBALT® y K & Design® son marcas registradas de LF, LLC. Todos los derechos reservados.

MODELO #SGY-AIR133



ADJUNTE SU RECIBO AQUÍ

Número de serie _____ **Fecha de compra** _____



¿Preguntas, problemas, piezas faltantes? Antes de volver a la tienda, llame a nuestro Departamento de Servicio al Cliente al 1-888-3KOBALT, de 8:00 a.m. a 8:00 p.m. hora estándar del Este, de lunes a viernes.

ÍNDICE

Información de seguridad	32
Contenido del paquete	38
Aditamentos	38
Preparación	38
Instrucciones de ensamblaje	39
Instrucciones de funcionamiento	41
Cuidado y mantenimiento	42
Solución de problemas	43
Garantía	44
Lista de piezas de repuesto	45

! INFORMACIÓN DE SEGURIDAD

Lea y comprenda completamente este manual antes de intentar ensamblar, usar o instalar el producto. Si tiene preguntas relacionadas con el producto, llame al Departamento de Servicio al Cliente al 1-888-3KOBALT, de lunes a viernes de 8:00 a.m. a 8:00 p.m., hora estándar del Este.

!ADVERTENCIA

El uso o mantenimiento inadecuado de este producto puede ocasionar lesiones graves y daños a la propiedad. Lea y comprenda todas las advertencias e instrucciones de funcionamiento antes de usar este equipo. Cuando utilice herramientas neumáticas, siga siempre las medidas de precaución básicas para reducir el riesgo de lesiones personales.

!ADVERTENCIA

Parte del polvo producido por el lijado, el serruchado, la trituración y la perforación eléctrica y otras actividades relacionadas contiene químicos reconocidos por el estado de California como causantes de cáncer, defectos congénitos u otros daños en el aparato reproductivo. Se puede obtener una lista de las sustancias químicas en www.oehha.ca.gov bajo Proposition 65 (Propuesta 65). Algunos ejemplos de estas sustancias químicas son:

- Plomo de pinturas a base de plomo
- Sílice cristalina de ladrillos, cemento y otros productos de mampostería
- Arsénico y cromo de madera tratada con químicos

Los usuarios de estas herramientas deben revisar la composición química de la superficie de trabajo y cualquier producto que se utilice en conjunto con el funcionamiento de estas herramientas en búsqueda de cualquier sustancia química antes de realizar cualquier actividad que produzca polvo y/o partículas microscópicas.

Los usuarios deben obtener, ya sea de parte del fabricante o de su empleador, las hojas de datos de seguridad de materiales de todas las sustancias químicas identificadas, y estudiar, comprender y seguir todas las instrucciones y advertencias sobre la exposición a dichas sustancias químicas. El riesgo que corre debido a la exposición a estos químicos varía dependiendo de la frecuencia con que realiza este tipo de trabajo.

Para reducir su exposición a estas sustancias químicas, trabaje en un área bien ventilada y utilice un equipo de seguridad aprobado, como las máscaras para polvo especialmente diseñadas para filtrar partículas microscópicas.

ESPECIFICACIONES DEL PRODUCTO

COMPONENTE	ESPECIFICACIONES
MANDRIL	1/4"
VELOCIDAD LIBRE	25.000 RPM +/- 10%
CONSUMO DE AIRE PROMEDIO	0,11 M³/MIN.
ENTRADA DE AIRE	NPT de 1/4"
MANGUERA DE AIRE COMPRIMIDO	3/8"
PRESIÓN DE TRABAJO	90 PSI

⚠ ADVERTENCIA RIESGO DE LESIONES EN LOS OJOS O LA CABEZA



LO QUE PODRÍA OCURRIR	CÓMO EVITARLO
<ul style="list-style-type: none">• Las herramientas neumáticas pueden lanzar materiales como sujetadores, astillas de metal, aserrín y otros residuos a alta velocidad, lo cual puede provocar lesiones graves a los ojos.	<ul style="list-style-type: none">• Use siempre gafas de seguridad con protecciones laterales aprobadas por la norma ANSI Z87.1.• Nunca deje la herramienta en funcionamiento sin supervisión. Desconecte la manguera de aire comprimido cuando la herramienta no esté en uso.
<ul style="list-style-type: none">• El aire comprimido puede ser peligroso. El sistema de aire puede causar lesiones a las zonas de tejido blando como los ojos, orejas, etc. Las partículas o los objetos lanzados por la corriente pueden causar lesiones.	<ul style="list-style-type: none">• Para una protección adicional, use una careta protectora además de las gafas de seguridad.
<ul style="list-style-type: none">• Los accesorios de las herramientas pueden soltarse o romperse y desprenderse lanzando objetos al usuario y las demás personas que estén en la zona de trabajo.	<ul style="list-style-type: none">• Asegúrese de que todos los accesorios estén ensamblados firmemente.

⚠ ADVERTENCIA RIESGO DE INCENDIO O EXPLOSIÓN



LO QUE PODRÍA OCURRIR	CÓMO EVITARLO
<ul style="list-style-type: none">• Una herramienta rotativa puede producir chispas, las cuales podrían causar la ignición de materiales inflamables.	<ul style="list-style-type: none">• Nunca use herramientas cerca de sustancias inflamables como gasolina, nafta, solventes de limpieza, etc.• Trabaje en un área limpia y bien ventilada libre de materiales combustibles.• Nunca utilice oxígeno, dióxido de carbono u otros gases embotellados como fuente de alimentación para las herramientas neumáticas.
<ul style="list-style-type: none">• Exceder el índice de presión máxima de las herramientas o los accesorios podría causar una explosión y ocasionar lesiones graves.	<ul style="list-style-type: none">• Use el aire comprimido regulado a una presión máxima que sea igual o inferior a la indicada para cualquiera de los accesorios.• Nunca conecte a una fuente de aire que pueda exceder los 200 PSI.• Antes de usar las herramientas, siempre verifique que la fuente de aire se haya regulado según el rango de presión de aire indicado.

⚠ ADVERTENCIA RIESGO DE PÉRDIDA DE LA AUDICIÓN

LO QUE PODRÍA OCURRIR	CÓMO EVITARLO
<ul style="list-style-type: none"> • La exposición a largo plazo al ruido producido por el funcionamiento de herramientas neumáticas puede producir la pérdida permanente de la audición. 	<ul style="list-style-type: none"> • Use siempre protección para los oídos aprobada por la norma ANSI S3.19.

⚠ ADVERTENCIA PELIGRO DE INHALACIÓN

LO QUE PODRÍA OCURRIR	CÓMO EVITARLO
<ul style="list-style-type: none"> • Las herramientas abrasivas, tales como amoladoras, lijadoras y herramientas de corte, generan polvo y materiales abrasivos, los cuales pueden ser dañinos para los pulmones y el sistema respiratorio. 	<ul style="list-style-type: none"> • Siempre utilice una máscara o un respirador del tamaño adecuado al usar dichas herramientas.
<ul style="list-style-type: none"> • Algunos materiales, tales como los adhesivos y el alquitrán, contienen sustancias químicas cuyos vapores pueden causar lesiones graves tras la exposición prolongada. 	<ul style="list-style-type: none"> • Trabaje siempre en un área limpia, seca y bien ventilada.

⚠ ADVERTENCIA RIESGO DE LESIONES

LO QUE PODRÍA OCURRIR	CÓMO EVITARLO
<ul style="list-style-type: none"> • Si se deja una herramienta sin supervisión o con la manguera de aire comprimido conectada, personas no autorizadas pueden activarla y sufrir o provocar lesiones. 	<ul style="list-style-type: none"> • Cuando la herramienta no esté en uso, retire la manguera de aire comprimido y almacene la herramienta en una ubicación segura y alejada del alcance de niños y usuarios no capacitados.
<ul style="list-style-type: none"> • Las herramientas neumáticas pueden lanzar sujetadores u otros materiales en el área del trabajo. 	<ul style="list-style-type: none"> • Utilice sólo las piezas, sujetadores y accesorios recomendados por el fabricante. • Mantenga el área de trabajo limpia y ordenada. Mantenga a los niños y otras personas alejados de la herramienta mientras esté en funcionamiento. • Mantenga el área de trabajo bien iluminada.
<ul style="list-style-type: none"> • Si se deja una llave conectada a una pieza giratoria de la herramienta, aumenta el riesgo de lesiones personales. 	<ul style="list-style-type: none"> • Retire las llaves de ajuste antes de encender la herramienta.
<ul style="list-style-type: none"> • El uso de boquillas de inflador para aplicaciones de soplado puede causar lesiones graves. 	<ul style="list-style-type: none"> • NO use boquillas de inflador para aplicaciones de soplado.

⚠ ADVERTENCIA RIESGO DE LESIONES

LO QUE PODRÍA OCURRIR	CÓMO EVITARLO
<ul style="list-style-type: none">Las herramientas neumáticas se pueden activar accidentalmente durante la realización de mantenimiento o el cambio de herramientas.	<ul style="list-style-type: none">Retire la manguera de aire comprimido para lubricar o añada los accesorios para amolar a la herramienta.Nunca transporte la herramienta de la manguera.Evite los encendidos accidentales. No transporte la herramienta con el dedo en el gatillo.Sólo un representante de servicio autorizado debe realizar reparaciones.
<ul style="list-style-type: none">Las herramientas neumáticas pueden provocar que la pieza de trabajo se mueva al tener contacto y causar lesiones.	<ul style="list-style-type: none">Utilice abrazaderas u otros dispositivos para evitar que se mueva.
<ul style="list-style-type: none">La pérdida del control de la herramienta puede provocar lesiones al usuario o a otras personas.	<ul style="list-style-type: none">Nunca use la herramienta cuando esté bajo la influencia del alcohol o drogas.No se extienda demasiado. Mantenga una posición y un equilibrio adecuados.Mantenga las manijas secas, limpias y libres de aceite y grasa.Manténgase alerta. Preste atención a lo que está haciendo. Use el sentido común. No utilice la herramienta si está cansado.
<ul style="list-style-type: none">Las herramientas y accesorios de mala calidad, inadecuados o dañados pueden desprenderse durante el uso y lanzar partículas por el área de trabajo causando lesiones graves.	<ul style="list-style-type: none">Utilice siempre accesorios clasificados para la velocidad de la herramienta eléctrica.Nunca use herramientas que se hayan caído, golpeado o dañado con el uso.Utilice sólo accesorios para amolar autorizados en esta herramienta.No aplique fuerza excesiva a la herramienta; deje que ésta realice el trabajo.
<ul style="list-style-type: none">Las herramientas y los accesorios con mantenimiento inadecuado pueden causar lesiones graves.	<ul style="list-style-type: none">Realice un mantenimiento adecuado de la herramienta y los accesorios.Mantenga la herramienta limpia. Una herramienta mantenida adecuadamente reduce el riesgo de trabarse y es más fácil de controlar.

⚠ ADVERTENCIA RIESGO DE LESIONES

LO QUE PODRÍA OCURRIR	CÓMO EVITARLO
<ul style="list-style-type: none"> • Si la herramienta se daña, existe el riesgo de que reviente. 	<ul style="list-style-type: none"> • Verifique que no haya mala alineación o trabas en las piezas móviles, piezas rotas ni cualquier otra condición que afecte el funcionamiento de la herramienta. Si se daña, haga reparar la herramienta antes de usarla.
<ul style="list-style-type: none"> • Use sólo accesorios identificados por el fabricante para utilizarse con herramientas específicas. 	<ul style="list-style-type: none"> • El uso de accesorios que no estén diseñados para utilizarse con las herramientas específicas aumenta el riesgo de provocar lesiones a las personas.

⚠ ADVERTENCIA RIESGO DE DESCARGA ELÉCTRICA

LO QUE PODRÍA OCURRIR	CÓMO EVITARLO
<ul style="list-style-type: none"> • El uso de herramientas neumáticas para fijar cableado eléctrico puede causar electrocución o la muerte. 	<ul style="list-style-type: none"> • Nunca utilice herramientas para fijar cableado eléctrico si éste está energizado.
<ul style="list-style-type: none"> • Esta herramienta no se proporciona con una superficie de agarre aislada. El contacto con un cable energizado también expondrá piezas de metal de la herramienta energizada y puede ocasionar electrocución o la muerte. 	<ul style="list-style-type: none"> • Evite el contacto del cuerpo con superficies conectadas a tierra, como tuberías, radiadores, extractores o refrigeradores. Existe un gran riesgo de descarga eléctrica si su cuerpo está en contacto con tierra.
<ul style="list-style-type: none"> • Los accesorios de la herramienta neumática, tales como las piedras de amolar, que entren en contacto con un cableado eléctrico oculto pueden causar electrocución o la muerte. 	<ul style="list-style-type: none"> • Inspeccione completamente la pieza de trabajo en búsqueda de un posible cableado oculto antes de realizar trabajos.

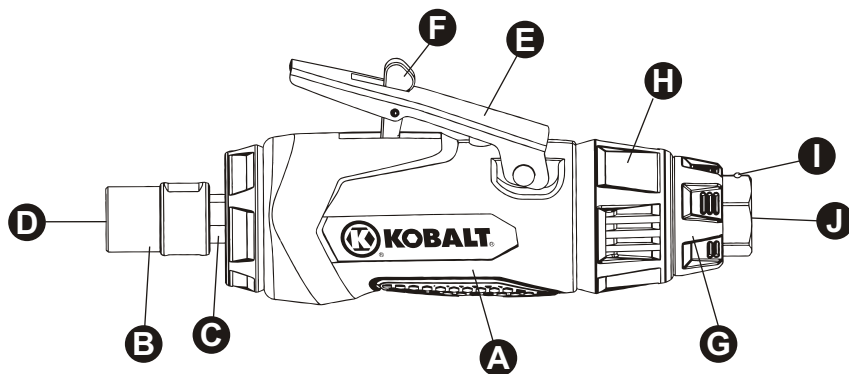
⚠ ADVERTENCIA RIESGO DE ENREDOS

LO QUE PODRÍA OCURRIR	CÓMO EVITARLO
<ul style="list-style-type: none">Las herramientas que contienen elementos móviles o impulsan otras piezas móviles, tales como accesorios para amolar, se pueden enredar en el pelo, la ropa, joyas y otros objetos holgados y causar lesiones graves.	<ul style="list-style-type: none">Nunca use ropa holgada que contenga correas o lazos sueltos, etc., que se puedan enredar en las piezas móviles de las herramientas.Sáquese todas las joyas, relojes, identificaciones, brazaletes, collares, etc., que puedan ser atrapados por la herramienta.Mantenga las manos alejadas de las piezas móviles. Amárrese o cubra el cabello largo.Utilice siempre ropa de calce adecuado y otro equipo de seguridad cuando use la herramienta.

⚠ ADVERTENCIA RIESGO DE CORTES O QUEMADURAS

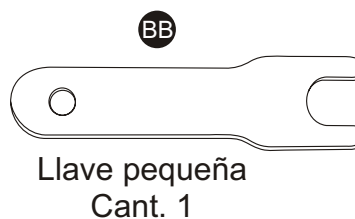
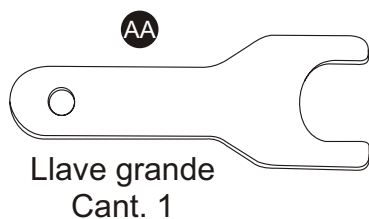
LO QUE PODRÍA OCURRIR	CÓMO EVITARLO
<ul style="list-style-type: none">Una herramienta rotativa podría causar lesiones graves si se utiliza de forma inadecuada.	<ul style="list-style-type: none">Mantenga la pieza de trabajo de la herramienta alejada de las manos y el cuerpo.

CONTENIDO DEL PAQUETE



PIEZA	DESCRIPCIÓN	CANTIDAD
A	Herramienta rotativa neumática de 1/4"	1
B	Cubierta del mandril	1
C	Soporte del mandril	1
D	Mandril	1
E	Gatillo	1
F	Palanca	1
G	Regulador de aire	1
H	Deflector de escape	1
I	Bola de acero	1
J	Entrada de aire	1

ADITAMENTOS



PREPARACIÓN

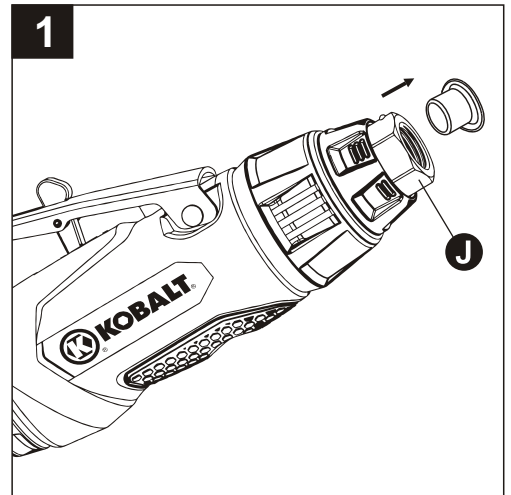
Antes de comenzar a ensamblar el producto, asegúrese de tener todas las piezas. Compare las piezas con la lista del contenido del paquete y los aditamentos mencionados anteriormente. No intente ensamblar el producto si falta alguna pieza o si éstas están dañadas. Comuníquese con el Departamento de Servicio al Cliente para obtener piezas de repuesto.

Tiempo aproximado de ensamblaje: 5 a 10 minutos

Herramientas necesarias para el ensamblaje (no se incluyen): Llave inglesa

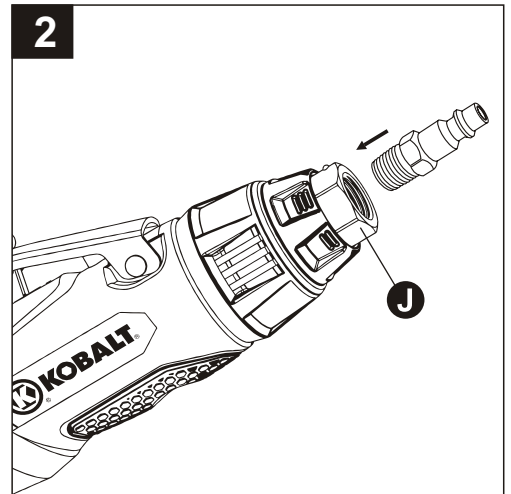
INSTRUCCIONES DE ENSAMBLAJE

1. Retire la tapa protectora de la entrada de aire de la entrada de aire (J). (Consulte la Figura 1)

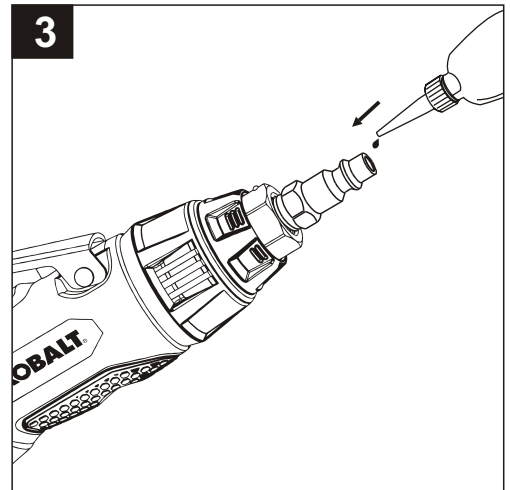


2. Instale a mano un conector macho (no se incluye) en la entrada de aire (J). (Consulte la Figura 2)

NOTA Use cinta selladora para roscas (no incluida) en el conector macho y apriétela con una llave (no incluida) para una conexión hermética. No apriete demasiado.

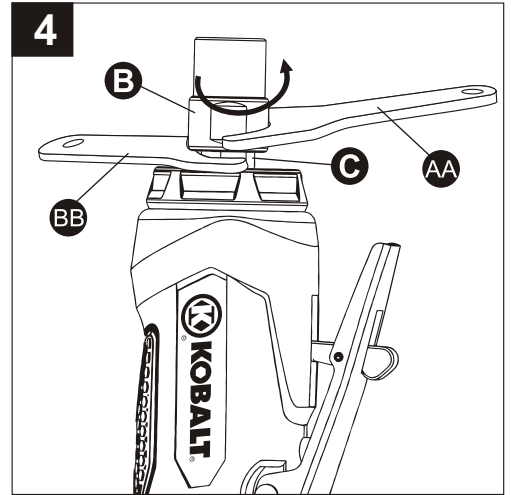


3. Coloque de 2 a 3 gotas de aceite para herramientas neumáticas (no se incluye) en el tapón macho antes de cada uso. (Consulte la Figura 3)

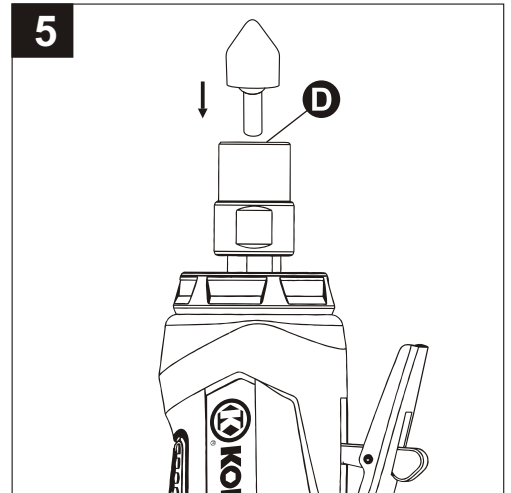


INSTRUCCIONES DE ENSAMBLAJE

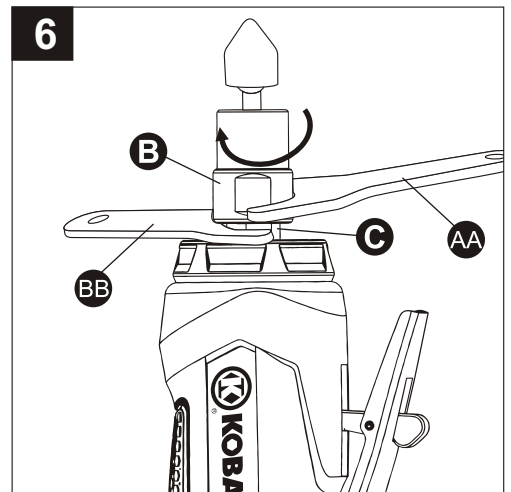
4. Suelte la cubierta del mandril (B) girando en dirección contraria a las manecillas del reloj o con la llave grande (AA) mientras sostiene la llave pequeña (BB) en las secciones planas del soporte del mandril (C). (Consulte la Figura 4)



5. Inserte un accesorio para amolar, como una piedra de amolar (no se incluye), en el mandril (D). (Consulte la Figura 5)



6. Apriete la cubierta del mandril (B) girando la llave grande (AA) en dirección de las manecillas del reloj mientras sostiene la llave pequeña (BB) en las secciones planas del soporte del mandril (C). Asegúrese de que la piedra de amolar esté instalada de forma segura y apretada. (Consulte la Figura 6)



⚠ ADVERTENCIA

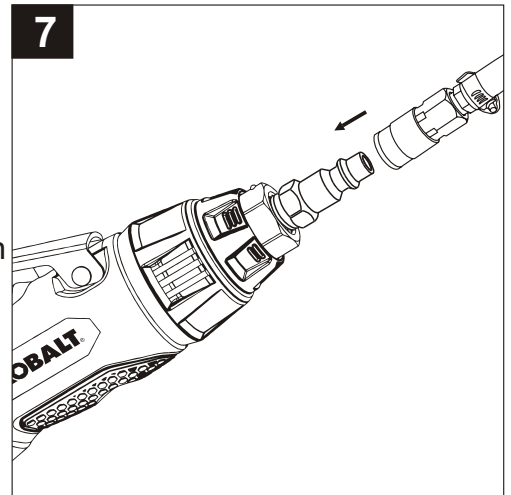
Sólo use accesorios para amolar que tengan una clasificación de RPM igual o superior a la de la herramienta.

INSTRUCCIONES DE ENSAMBLAJE

7. Conecte la manguera de suministro de aire al conector macho. Establezca la presión de trabajo en 90 PSI para obtener el mejor rendimiento de la herramienta.

(Consulte la Figura 7)

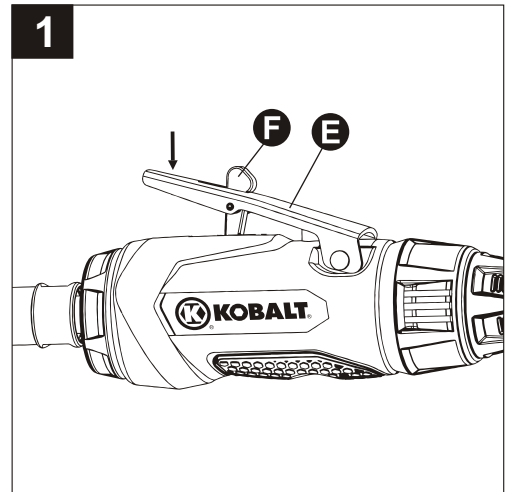
NOTA La presión de trabajo se refiere a la presión de manguera de aire establecida para la herramienta cuando ésta está en condiciones para trabajar.



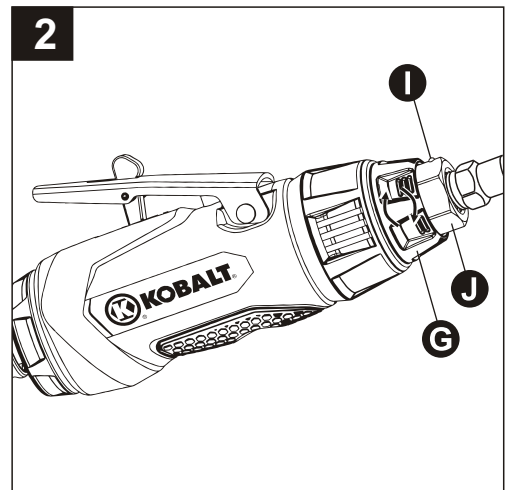
INSTRUCCIONES DE FUNCIONAMIENTO

Empuje la palanca (F) hacia adelante y presione el gatillo (E) para arrancar la herramienta (A).

(Consulte la Figura 1)

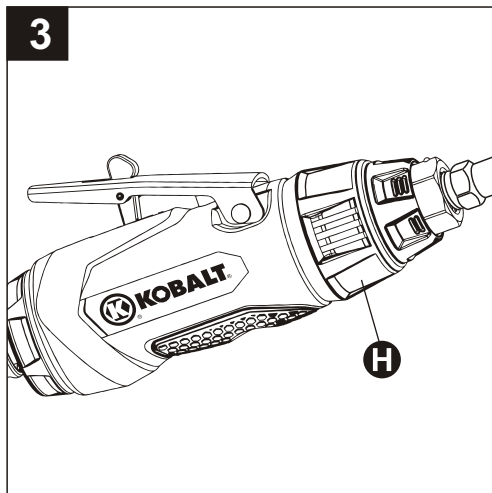


NOTA Esta herramienta cuenta con una válvula reguladora de potencia. Gire el regulador de aire (G) hasta alcanzar la potencia deseada. Las configuraciones 1, 2, 3 y 4 son sólo para referencia y no representan una potencia de salida específica. La “Configuración 1” (símbolo de una línea) es la velocidad más lenta, mientras que la “Configuración 4” (símbolo de cuatro líneas) es la más rápida. Gire el regulador de aire (G), hasta alinear la configuración deseada con la bola de acero pequeña (I) en la entrada de aire (J). (Consulte la Figura 2)



INSTRUCCIONES DE FUNCIONAMIENTO

NOTA Esta herramienta también cuenta con un deflector de escape (H) que desvía el aire de descarga hacia abajo. (Consulte la Figura 3)



CUIDADO Y MANTENIMIENTO

Se recomienda instalar lubricante en línea en la tubería de suministro de aire ya que aumenta la vida útil de la herramienta y la mantiene en funcionamiento continuo. Se debe verificar regularmente el lubricador en línea y llenarlo con aceite para herramientas neumáticas. El ajuste adecuado del lubricante en línea se realiza colocando una hoja de papel junto a los orificios de escape de la herramienta y manteniendo el regulador abierto por 30 segundos aproximadamente. El lubricante en línea se ajusta adecuadamente cuando se genera una leve mancha de aceite en el papel. Se deben evitar las cantidades excesivas de aceite.

En caso de que sea necesario almacenar la herramienta por un período prolongado, se le debe proporcionar una abundante cantidad de lubricación en dicho momento. La herramienta debe funcionar por aproximadamente 30 segundos para garantizar que el aceite se haya distribuido en forma pareja por toda la herramienta. La herramienta se debe almacenar en un entorno limpio y seco.

Lubricantes recomendados: Use aceite para herramientas neumáticas o cualquier otro aceite de alta calidad para turbinas que contenga absorbente de humedad, antioxidante, agentes de humidificación de metales y un aditivo para presión extrema (EP, por sus siglas en inglés).

Limpie bien la herramienta con un trapo de algodón después de cada uso. Mantenga la herramienta en un lugar fresco y seco fuera del alcance de los niños.

SOLUCIÓN DE PROBLEMAS

PROBLEMA	CAUSA POSIBLE	ACCIÓN CORRECTIVA
<p>La herramienta no funciona o lo hace lentamente.</p>	<ol style="list-style-type: none"> 1. Hay polvo o goma en la herramienta. 2. No hay aceite en la herramienta. 3. La presión de aire es baja. 4. Hay fugas en la manguera de aire comprimido. 5. Hay bajas de presión. 6. Las aspas del rotor están desgastadas. 7. Sale humedad del escape de la herramienta. 	<ol style="list-style-type: none"> 1. Enjuague la herramienta con aceite para herramientas neumáticas o solvente para goma. 2. Lubrique la herramienta. 3. <ol style="list-style-type: none"> a. Ajuste el regulador en la herramienta en la configuración máxima. b. Ajuste el regulador del compresor al máximo de la herramienta en 90 PSI. 4. Apriete y selle los conectores de la manguera si se encuentran fugas. Use cinta de sellado. 5. <ol style="list-style-type: none"> a. Asegúrese de que la manguera sea del tamaño adecuado. Las mangueras o herramientas largas que usen grandes volúmenes de aire pueden requerir una manguera con un diámetro interno de 1/2" o mayor dependiendo del largo total de las mangueras. b. No utilice varias mangueras conectadas entre sí con conectores de conexión rápida. Esto causa bajas de presión adicionales y reduce la potencia de la herramienta. Conecte las mangueras directamente entre sí. 6. Reemplace el aspa del rotor. 7. Vierta agua en el tanque; drene el tanque. (Consulte el manual del compresor de aire). Lubrique la herramienta y hágala funcionar hasta que no haya evidencias de agua. Vuelva a lubricar la herramienta y hágala funcionar por 1 a 2 segundos.

TRES AÑOS DE GARANTÍA LIMITADA

Esta herramienta está garantizada por el fabricante para el comprador original desde la fecha de compra original por tres (3) años y está sujeta a la cobertura de garantía que se describe en el presente.

Esta herramienta tiene una garantía para el usuario original contra defectos en los materiales y la mano de obra. Si cree que una herramienta presenta defectos, devuelva la herramienta con una adecuada prueba de compra al lugar de la compra. Si se determina que la herramienta presenta defectos y estos están cubiertos por esta garantía, el distribuidor reemplazará la herramienta o reembolsará el precio de compra.

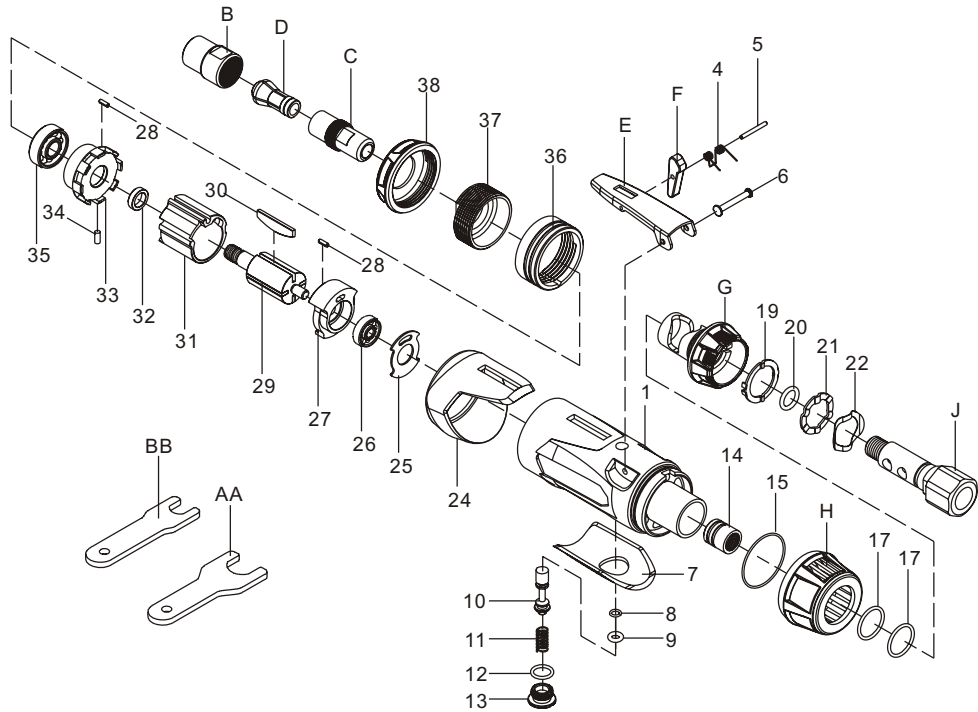
Esta garantía es nula si: Los defectos en los materiales o la mano de obra o los daños han sido causados por reparaciones o modificaciones hechas o que se hayan intentado hacer por parte de terceros o el uso no autorizado de piezas que incompatibles; el daño es debido al desgaste normal; el daño es debido al abuso (lo que incluye la sobrecarga de la herramienta por encima de su capacidad), mantenimiento inadecuado, negligencia o accidente; o el daño es debido al uso de la herramienta después de una falla parcial, el uso con accesorios inadecuados o reparaciones o alteraciones no autorizadas.

Esta garantía le otorga derechos legales específicos, pero podría tener también otros derechos que varían según el estado.

Si tiene preguntas acerca de la garantía, llame a nuestro Departamento de Servicio al Cliente al 1-888-3KOBALT, de lunes a viernes de 8:00 a.m. a 8:00 p.m., Hora estándar del Este.

LISTA DE PIEZAS DE REPUESTO

Para obtener piezas de repuesto, llame a nuestro Departamento de Servicio al Cliente al 1-888-3KOBALT, de lunes a viernes de 8:00 a.m. a 8:00 p.m., hora estándar del Este.



Pieza No.	Descripción	Cant.	Pieza No.	Descripción	Cant.
1	Carcasa	1	J	Entrada de aire	1
E	Gatillo	1	24	Cubierta de la carcasa	1
F	Palanca	1	25	Empaquetadura	1
4	Resorte	1	26	Rodamiento	1
5	Pasador	1	27	Placa posterior	1
6	Pasador del gatillo	1	28	Pasador	2
7	Agarre suave	1	29	Rotor	1
8	Junta tórica	1	30	Aspa del rotor	4
9	Junta tórica	1	31	Cilindro	1
10	Vástago de la válvula	1	32	Anillo del rotor	1
11	Resorte de la válvula	1	33	Placa frontal	1
12	Junta tórica	1	34	Pasador	1
13	Tapón de la válvula	1	35	Rodamiento	1
14	Conector de la válvula	1	36	Conector de la válvula	1
15	Junta tórica	1	37	Tuerca de la abrazadera	1
H	Deflector de escape	1	38	Protector	1
17	Junta tórica	2	C	Soporte del mandril	1
G	Regulador de aire	1	D	Mandril	1
19	Placa de fijación	1	B	Cubierta del mandril	1
20	Junta tórica	1	BB	Llave pequeña	1
21	Placa de fijación	1	AA	Llave grande	1
22	Empaquetadura	1			

Impreso en China