



GAS DOUBLE OVEN RANGE

Use & Care Guide

For questions about features, operation/performance, parts, accessories or service, call: **1-800-688-9900**

In Canada, call: **1-800-807-6777**

or visit our website at

www.maytag.com or **www.maytag.ca**

CUISINIÈRE À GAZ À DOUBLE FOUR

Guide d'utilisation et d'entretien

Au Canada, pour assistance, installation ou service, composez le : **1-800-807-6777**

ou visitez notre site internet

www.maytag.ca

Table of Contents/Table des matières.....	2
---	---

TABLE OF CONTENTS

RANGE SAFETY	3
The Anti-Tip Bracket	4
COOKTOP USE	5
Cooktop Controls	5
Sealed Surface Burners	6
Griddle Accessory	6
Home Canning	7
Cookware	7
ELECTRONIC OVEN CONTROLS	8
Display	8
Cancel	8
Oven Lights	8
Kitchen Timer	8
Settings	9
Oven Temperature Control	10
Control Lockout	10
OVEN USE	11
Aluminum Foil	11
Positioning Racks and Bakeware	11
Bakeware	12
Meat Thermometer	12
Oven Vents	12
Baking	12
Broiling	13
Convection Cooking - Lower Oven Only	14
Keep Warm™ Feature	15
Automatic Shutoff/Sabbath Mode	15
Favorite	16
Timed/Delay Cooking	16
RANGE CARE	17
Self-Cleaning Cycle	17
General Cleaning	19
Oven Light	20
Oven Door	20
TROUBLESHOOTING	21
ASSISTANCE OR SERVICE	22
In the U.S.A.	22
Accessories	22
In Canada	22
WARRANTY	23

TABLE DES MATIÈRES

SÉCURITÉ DE LA CUISINIÈRE	25
La bride antibasculement	26
UTILISATION DE LA TABLE DE CUISSON	27
Commandes de la table de cuisson	27
Brûleurs de surface scellés	28
Plaque à frire accessoire	28
Préparation de conserves à la maison	29
Ustensiles de cuisson	29
COMMANDES ÉLECTRONIQUES DU FOUR	30
Écran	30
Annulation	30
Lampes du four	30
Minuterie de cuisine	30
Réglages	31
Commande de la température du four	32
Control Lockout (verrouillage des commandes)	33
UTILISATION DU FOUR	33
Papier d'aluminium	33
Positionnement des grilles et des ustensiles de cuisson au four	33
Ustensiles de cuisson au four	34
Thermomètre à viande	34
Événements du four	35
Cuisson au four	35
Cuisson au gril	35
Cuisson par convection - Four inférieur uniquement	37
Caractéristique Keep Warm™	38
Arrêt automatique/Mode Sabbat	38
Favori	39
Cuisson minutée/à mise en marche différée	40
ENTRETIEN DE LA CUISINIÈRE	41
Programme d'autonettoyage	41
Nettoyage général	42
Lampe du four	43
Porte du four	44
DÉPANNAGE	44
ASSISTANCE OU SERVICE	46
Au Canada	46
Accessoires	46
GARANTIE	47

RANGE SAFETY

Your safety and the safety of others are very important.

We have provided many important safety messages in this manual and on your appliance. Always read and obey all safety messages.



This is the safety alert symbol.

This symbol alerts you to potential hazards that can kill or hurt you and others.

All safety messages will follow the safety alert symbol and either the word "DANGER" or "WARNING." These words mean:

⚠ DANGER

You can be killed or seriously injured if you don't immediately follow instructions.

⚠ WARNING

You can be killed or seriously injured if you don't follow instructions.

All safety messages will tell you what the potential hazard is, tell you how to reduce the chance of injury, and tell you what can happen if the instructions are not followed.

WARNING: If the information in this manual is not followed exactly, a fire or explosion may result causing property damage, personal injury or death.

- Do not store or use gasoline or other flammable vapors and liquids in the vicinity of this or any other appliance.
- **WHAT TO DO IF YOU SMELL GAS:**
 - Do not try to light any appliance.
 - Do not touch any electrical switch.
 - Do not use any phone in your building.
 - Immediately call your gas supplier from a neighbor's phone. Follow the gas supplier's instructions.
 - If you cannot reach your gas supplier, call the fire department.
- Installation and service must be performed by a qualified installer, service agency or the gas supplier.

WARNING: Gas leaks cannot always be detected by smell.

Gas suppliers recommend that you use a gas detector approved by UL or CSA.

For more information, contact your gas supplier.

If a gas leak is detected, follow the "What to do if you smell gas" instructions.

State of California Proposition 65 Warnings:

WARNING: This product contains one or more chemicals known to the State of California to cause cancer.

WARNING: This product contains one or more chemicals known to the State of California to cause birth defects or other reproductive harm.

The Anti-Tip Bracket

The range will not tip during normal use. However, the range can tip if you apply too much force or weight to the open door without the anti-tip bracket fastened down properly.



⚠ WARNING

Tip Over Hazard

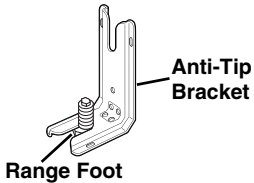
A child or adult can tip the range and be killed.

Connect anti-tip bracket to rear range foot.

Reconnect the anti-tip bracket, if the range is moved.

See the installation instructions for details.

Failure to follow these instructions can result in death or serious burns to children and adults.



Making sure the anti-tip bracket is installed:

- Slide range forward.
- Look for the anti-tip bracket securely attached to floor or wall.
- Slide range back so rear range foot is under anti-tip bracket.

IMPORTANT SAFETY INSTRUCTIONS

WARNING: To reduce the risk of fire, electrical shock, injury to persons, or damage when using the range, follow basic precautions, including the following:

- **WARNING:** TO REDUCE THE RISK OF TIPPING OF THE RANGE, THE RANGE MUST BE SECURED BY PROPERLY INSTALLED ANTI-TIP DEVICES. TO CHECK IF THE DEVICES ARE INSTALLED PROPERLY, SLIDE RANGE FORWARD, LOOK FOR ANTI-TIP BRACKET SECURELY ATTACHED TO FLOOR, AND SLIDE RANGE BACK SO REAR RANGE FOOT IS UNDER ANTI-TIP BRACKET.
- **WARNING:** NEVER use this appliance as a space heater to heat or warm the room. Doing so may result in carbon monoxide poisoning and overheating of the oven.
- **WARNING:** NEVER cover any slots, holes or passages in the oven bottom or cover an entire rack with materials such as aluminum foil. Doing so blocks air flow through the oven and may cause carbon monoxide poisoning. Aluminum foil linings may also trap heat, causing a fire hazard.
- **CAUTION:** Do not store items of interest to children in cabinets above a range or on the backguard of a range – children climbing on the range to reach items could be seriously injured.
- Proper Installation – The range, when installed, must be electrically grounded in accordance with local codes or, in the absence of local codes, with the *National Electrical Code, ANSI/NFPA 70*. In Canada, the range must be electrically grounded in accordance with Canadian Electrical Code. Be sure the range is properly installed and grounded by a qualified technician.

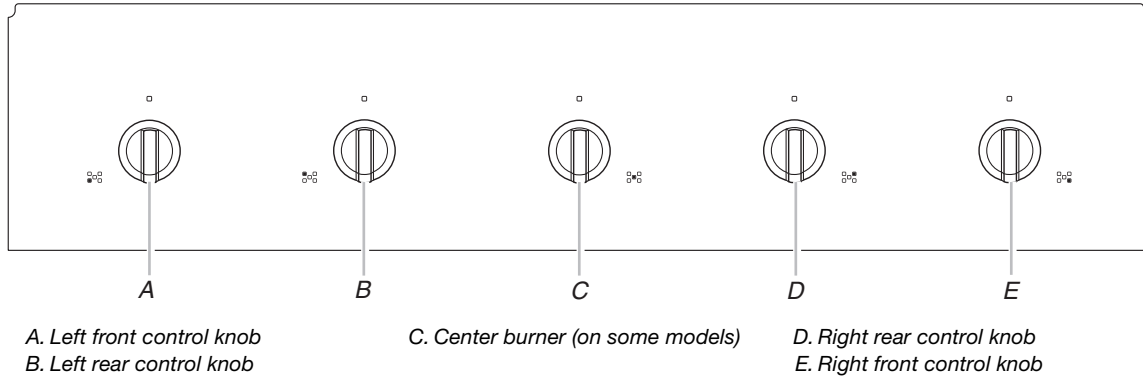
- This range is equipped with a three-prong grounding plug for your protection against shock hazard and should be plugged directly into a properly grounded receptacle. Do not cut or remove the grounding prong from this plug.
- Disconnect power before servicing.
- Injuries may result from the misuse of appliance doors or drawers such as stepping, leaning, or sitting on the doors or drawers.
- Maintenance – Keep range area clear and free from combustible materials, gasoline, and other flammable vapors and liquids.
- Storage in or on the Range – Flammable materials should not be stored in an oven or near surface units.
- Top burner flame size should be adjusted so it does not extend beyond the edge of the cooking utensil.

For self-cleaning ranges –

- Before Self-Cleaning the Oven – Remove broiler pan and other utensils. Wipe off all excessive spillage before initiating the cleaning cycle.

SAVE THESE INSTRUCTIONS

COOKTOP USE



Cooktop Controls

⚠ WARNING



Fire Hazard

Do not let the burner flame extend beyond the edge of the pan.

Turn off all controls when not cooking.

Failure to follow these instructions can result in death or fire.

IMPORTANT: Your range is factory-set for use with Natural gas. If you wish to use LP gas, an LP Gas Conversion Kit is included with your new range. See the “Gas Conversions” section of the Installation Instructions for details on making this conversion.

Electric igniters automatically light the surface burners when control knobs are turned to LIGHT.

The large burners (16,000, 15,000 and 12,500 Btu/h [British Thermal Units]) provide the highest heat setting, and are ideal for cooking large quantities of food or liquid, using large pots and pans. The small burners (9,200 and 5,000 Btu/h) allow more accurate simmer control at the lowest setting, and are ideal for cooking smaller quantities of food, using smaller pots and pans.

Before setting a control knob, place filled cookware on the grate. Do not operate a burner while using empty cookware or without any cookware on the grate.

NOTE: Visually check that the burner has lit. If the burner does not ignite, listen for a clicking sound. If you do not hear the igniter click, turn the burner off. Check for a tripped circuit breaker or blown household fuse.

Check that the control knob is pressed completely down on the valve shaft. If the spark igniter still does not operate, call a trained repair specialist.

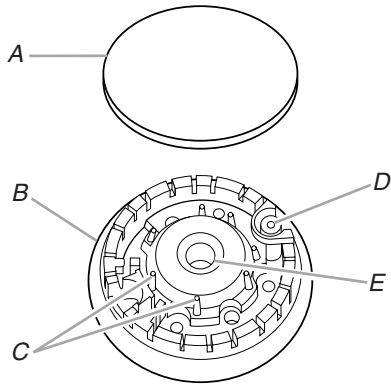
To Set:

1. Push in and turn knob counterclockwise to LIGHT. All the surface burners will click. Only the burner with the control knob turned to LIGHT will produce a flame.
2. Turn knob anywhere between HI and LO. Use the following chart as a guide when setting heat levels.

SETTING	RECOMMENDED USE
LIGHT	<ul style="list-style-type: none"> ■ Light the burner.
HI	<ul style="list-style-type: none"> ■ Start food cooking. ■ Bring liquid to a boil.
MED (Medium)	<ul style="list-style-type: none"> ■ Hold a rapid boil. ■ Quickly brown or sear food. ■ Fry or sauté foods. ■ Cook soups, sauces and gravies. ■ Stew or steam foods.
LO	<ul style="list-style-type: none"> ■ Keep food warm. ■ Simmer.

REMEMBER: When range is in use or (on some models) during the Self-Cleaning cycle, the entire cooktop area may become hot.

Sealed Surface Burners

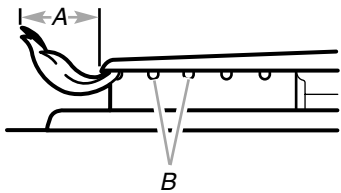


A. Burner cap
B. Burner base
C. Alignment pins
D. Igniter
E. Gas tube opening

IMPORTANT: Do not obstruct the flow of combustion and ventilation air around the burner grate edges.

Burner cap: Always keep the burner cap in place when using a surface burner. A clean burner cap will help avoid poor ignition and uneven flames. Always clean the burner cap after a spillover and routinely remove and clean the caps according to the “General Cleaning” section.

Gas tube opening: Gas must flow freely throughout the gas tube opening for the burner to light properly. Keep this area free of soil and do not allow spills, food, cleaning agents or any other material to enter the gas tube opening. Keep spillovers out of the gas tube by always using a burner cap.



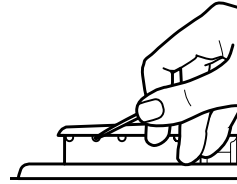
A. 1-1/2" (25-38 mm)
B. Burner ports

Burner ports: Check burner flames occasionally for proper size and shape as shown above. A good flame is blue in color, not yellow. Keep this area free of soil and do not allow spills, food, cleaning agents or any other material to enter the burner ports.

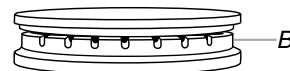
To Clean:

IMPORTANT: Before cleaning, make sure all controls are off and the oven and cooktop are cool. Do not use oven cleaners, bleach or rust removers.

1. Remove the burner cap from the burner base and clean according to “General Cleaning” section.
2. Clean the gas tube opening with a damp cloth.
3. Clean clogged burner ports with a straight pin as shown. Do not enlarge or distort the port. Do not use a wooden toothpick. If the burner needs to be adjusted, contact a trained repair specialist.



4. Replace the burner cap, making sure the alignment pins are properly aligned with the burner cap.

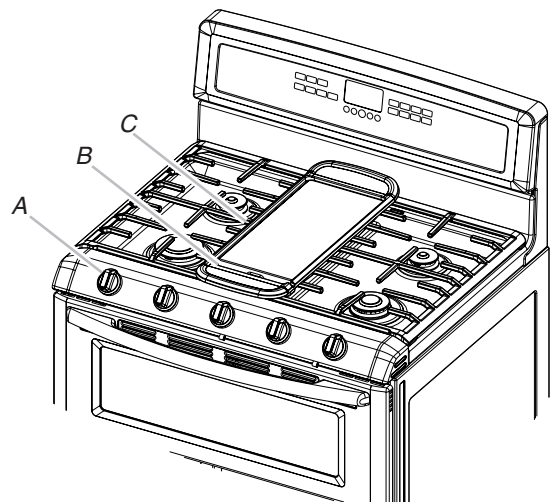


A. Incorrect
B. Correct

5. Turn on the burner. If the burner does not light, check cap alignment. If the burner still does not light, do not service the sealed burner yourself. Contact a trained repair specialist.

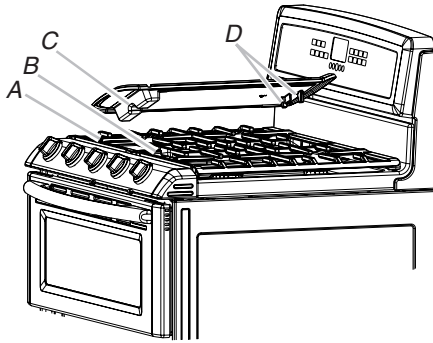
Griddle Accessory (on some models)

1. Turn off the cooktop burners and allow the grates to cool.
2. Place griddle on center grate with the grease trap toward the cooktop controls.



A. Cooktop controls
B. Grease trap
C. Center of grate

- The locating tabs on the bottom side of the griddle at the grease trap end should be placed over the grate fingers closest to the electronic control.



- A. Grate fingers closest to controls
- B. Center support of grate
- C. Notch
- D. Locating tabs

- The notch of the griddle should fit over the center support of the grate.

NOTE: When properly installed, the bottom of the griddle will rest securely just above the top surface of the grate.

IMPORTANT: Do not allow griddle to overhang controls.

To Use:

IMPORTANT: To avoid damaging the griddle, the griddle is to be used on the center burner on Low to Medium heat only.

- The griddle is intended for direct food cooking. To avoid damaging the finish of the griddle, do not use pans or metal utensils on the griddle.
- To avoid damaging the nonstick finish, do not use nonstick cooking sprays.

Home Canning

When canning for long periods, alternate the use of surface burners between batches. This allows time for the most recently used areas to cool.

- Center the canner on the grate.
- Do not place canner on 2 surface burners at the same time.
- For more information, contact your local agricultural department. Companies that manufacture home canning products can also offer assistance.

Cookware

IMPORTANT: Do not leave empty cookware on a hot surface cooking area, element or surface burner.

Ideal cookware should have a flat bottom, straight sides and a well-fitting lid, and the material should be of medium-to-heavy thickness.

Rough finishes may scratch the cooktop or grates. Aluminum and copper may be used as a core or base in cookware. However, when used as a base they can leave permanent marks on the grates.

Cookware material is a factor in how quickly and evenly heat is transferred, which affects cooking results. A nonstick finish has the same characteristics as its base material. For example, aluminum cookware with a nonstick finish will take on the properties of aluminum.

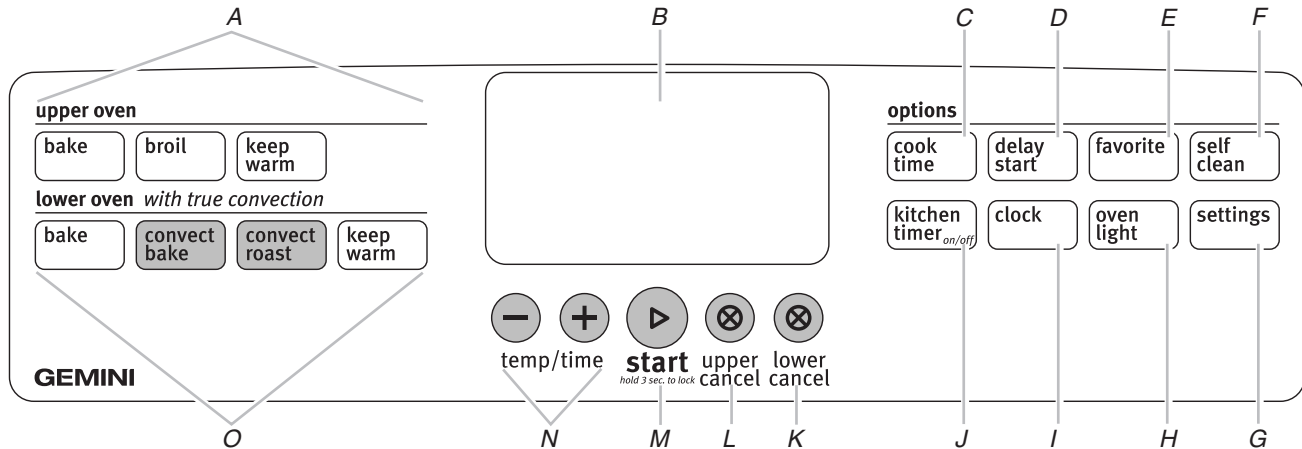
Cookware with nonstick surfaces should not be used under the broiler.

Use the following chart as a guide for cookware material characteristics.

COOKWARE	CHARACTERISTICS
Aluminum	<ul style="list-style-type: none"> ■ Heats quickly and evenly. ■ Suitable for all types of cooking. ■ Medium or heavy thickness is best for most cooking tasks.
Cast iron	<ul style="list-style-type: none"> ■ Heats slowly and evenly. ■ Good for browning and frying. ■ Maintains heat for slow cooking.
Ceramic or Ceramic glass	<ul style="list-style-type: none"> ■ Follow manufacturer's instructions. ■ Heats slowly, but unevenly. ■ Ideal results on low to medium heat settings.
Copper	<ul style="list-style-type: none"> ■ Heats very quickly and evenly.
Earthenware	<ul style="list-style-type: none"> ■ Follow manufacturer's instructions. ■ Use on low heat settings.
Porcelain enamel-on-steel or cast iron	<ul style="list-style-type: none"> ■ See stainless steel or cast iron.
Stainless steel	<ul style="list-style-type: none"> ■ Heats quickly, but unevenly. ■ A core or base of aluminum or copper on stainless steel provides even heating.

ELECTRONIC OVEN CONTROLS

This manual covers different models. The range you have purchased may have some or all of the items listed. The locations and appearances of the items shown here may not match those of your model.



- A. Upper oven settings
- B. Oven display
- C. Cook time
- D. Delay start
- E. Favorite setting

- F. Self clean
- G. Settings
- H. Oven light
- I. Clock
- J. Kitchen timer on/off

- K. Lower oven cancel
- L. Upper oven cancel
- M. Start
- N. Temp/time "up" and "down" pads
- O. Lower oven settings

Display

When power is first supplied to the range, or if a power failure has occurred, "12:00" will appear on the display. See "Clock" in the "Settings" section to set time of day.

When the oven is not in use, the display shows the time of day.

Cancel

The Cancel pads stop any function except the Clock, Timer and Control Lock.

Oven Lights

While the oven doors are closed, press OVEN LIGHT to turn the lights on and off. Both oven lights will come on when the either door is open. The oven lights will not come on during the Self-Clean cycle.

Kitchen Timer

The Kitchen Timer can be set in hours or minutes up to 9 hours and 59 minutes, and counts down the set time. The Kitchen Timer does not start or stop the oven.

To Set:

1. Press KITCHEN TIMER.
"Set TIMER" will scroll down the upper text display area, and the clock will display "--:--" with the colon flashing.
2. Press the Temp/Time "+" or "-" pads until the desired time is reached.
"Press TIMER" will scroll down the upper text display area.
3. Press KITCHEN TIMER to start the timer. The colon stops flashing, and the time begins counting down. "TIMER STARTED" will scroll down the upper text display area.
The last minute of the timer countdown will be displayed in seconds.
At the end of the set time, one long beep will sound, and "TIMER End" will be displayed.
4. Press KITCHEN TIMER to clear the display.
NOTE: A reminder beep will sound until the Kitchen Timer is canceled.

To Cancel:

Press KITCHEN TIMER.

Settings

Fahrenheit and Celsius

The temperature is factory preset to Fahrenheit, but can be changed to Celsius.

1. Press SETTINGS once.
“TEMP UNIT” will appear in the upper text area while “FAHRENHEIT. Press (+) for Celsius” will scroll twice from right to left in the lower text area.
2. Press the Temp/Time “+” pad to change the temperature unit setting.
“CELSIUS. Press (+) for Fahrenheit” will scroll twice from right to left in the lower text area.
3. “CELSIUS Selected” will scroll twice from right to left in the lower text area. The temperature units have been changed.

Tones

Tones are audible signals, indicating the following:

Basic Functions

One tone

- Valid pad press
- End of Kitchen Timer (long tone)
- Function has been entered
- Oven is preheated

Three tones

- Invalid pad press

Four tones

- End of cycle

Adjusting Sound On or Off

The oven sound is factory preset for On but can be changed to Off.

1. Press SETTINGS twice until “SOUND” appears in the upper text area and “ON. Press (+) for OFF” scrolls twice from right to left in the lower text area.
2. Press the Temp/Time “+” pad to turn the sound Off. “OFF. Press (+) for ON” will scroll twice from right to left in the lower text area.
3. “OFF Selected” will scroll twice from right to left in the lower text area. The sound has now been turned off.

Adjusting Sound Volume

The oven sound is factory preset for High but can be changed to Low.

1. Press SETTINGS 3 times until “SOUND VOLUME” appears in the text area and “HIGH. Press (+) for LOW” scrolls twice from right to left in the lower text area.
2. Press the Temp/Time “+” pad to turn the sound Low. “LOW. Press (+) for HIGH” scrolls twice from right to left in the lower text area.
3. “Low Selected” scrolls twice from right to left in the lower text area. The sound volume has now been changed.

Adjusting End Tone On or Off

The end tone is factory preset for On but can be changed to Off.

1. Press SETTINGS four times until “END TONE” appears in the upper text area and “ON. Press (+) for OFF” scrolls twice from right to left in the lower text area.
2. Press the Temp/Time “+” pad to turn the end tone Off. “OFF. Press (+) for ON” will scroll twice in the lower text area.
3. “OFF Selected” will scroll twice from right to left in the lower text area. The end tone has now been turned off.

Adjusting Keypress Tone On or Off

The keypress tone is factory preset for On but can be changed to Off.

1. Press SETTINGS five times until “KEYPRESS TONE” appears in the upper text area and “ON. Press (+) for OFF” scrolls twice from right to left in the lower text area.
2. Press the Temp/Time “+” pad to turn the keypress tone Off. “OFF. Press (+) for ON” will scroll twice in the lower text area.
3. “OFF Selected” will scroll twice from right to left in the lower text area. The keypress tone has now been turned off.

Adjusting Reminder Tone On or Off

The reminder tone is factory preset for On but can be changed to Off.

1. Press SETTINGS six times until “REMINDER TONE” appears in the upper text area and “ON. Press (+) for OFF” scrolls twice from right to left in the lower text area.
2. Press the Temp/Time “+” pad to turn the reminder tone Off. “OFF. Press (+) for ON” will scroll twice in the lower text area.
3. “OFF Selected” will scroll twice from right to left in the lower text area. The reminder tone has now been turned off.

Clock

The clock can be set to display time in a 12-hour or 24-hour format. The clock is factory preset at the factory for the 12-hour format.

To Change the Clock to 24-Hour Format:

1. Press SETTINGS seven times until “12/24 HOUR” appears in the upper text area and “12 HR. Press (+) for 24 Hr” appears in the lower text area.
2. Press the Temp/Time “+” pad once to select 24 hour and again to select 12 hour.
3. Wait 30 seconds or press CANCEL to accept the setting.

To Set the Clock:

Before setting, make sure the oven and Kitchen Timer are off.

1. Press CLOCK. “Set Time” will appear in the upper text area.
2. Press the Temp/Time “+” or “-” pads until the desired time is displayed.
3. “Press CLOCK” will appear in the upper text area and “or Push START” will appear in the lower text area.
4. Press CLOCK or START. “Time Set” will appear in the upper text area. Once it disappears, the time is set.

Sabbath Mode

Sabbath Mode is used to configure the oven system so that certain features and modes are disabled or defeatured. By enabling Sabbath Mode, the oven will conform to Star-K Jewish Sabbath requirements.

The oven is factory preset with Sabbath Mode Off.

To Enable Sabbath mode (one time only):

1. Press SETTINGS eight times until "SABBATH" appears in the upper text area.
2. Press the Temp/Time "+" pad to enable Sabbath Mode.
3. "ON Selected" will scroll twice in the text area. The oven is now activated to be run in Sabbath Mode. To set Sabbath Mode, see the "Automatic Shutoff/Sabbath Mode" section.

12-Hour Auto Off

The oven control is set to automatically shut off the oven 12 hours after the oven turns on. This will not interfere with any timed or delayed cook function.

To Cancel 12-Hour Auto Off:

1. Press SETTINGS nine times until "12 Hr AUTO_OFF" appears in the upper text area and "ON. Press (+) for Off" scrolls twice from right to left in the lower text area.
2. Press the Temp/Time "+" pad to turn off the 12-hour Auto Off feature.
"OFF. Press (+) for ON" will scroll twice from right to left in the lower text area.
3. "OFF Selected" will scroll twice from right to left in the lower text area. The feature has been turned off.

Language

The Language is factory preset to English but can be changed to French.

To Change the Language to French:

1. Press SETTINGS 10 times until "LANGUAGE" appears in the upper text area and "ENGLISH. Press (+) for French" scrolls twice from right to left in the lower text area.
2. Press the Temp/Time "+" pad to select French.
"FRENCH. Press (+) for English" will scroll, in French, twice from right to left in the lower text area.
3. "FRENCH Selected" will scroll, in French, twice from right to left in the lower text area.
4. The language displayed will now be French.

Oven Temperature Control

The oven provides accurate temperatures; however, it may cook faster or slower than your previous oven, so the temperature calibration can be adjusted. It can be changed in Fahrenheit or Celsius.

Temperature adjustment applies to upper or lower ovens.

A minus sign means the oven will be cooler by the displayed amount. The absence of a minus sign means the oven will be warmer by the displayed amount. Use the following chart as a guide.

ADJUSTMENT °F (ADJUSTMENT °C)

COOKS FOOD

10°F (6°C)	...a little more
20°F (12°C)	...moderately more
30°F (17°C)	...much more
-10°F (-6°C)	...a little less
-20°F (-12°C)	...moderately less
-30°F (-17°C)	...much less

To Adjust Oven Temperature Calibration:

1. Press SETTINGS 11 times until "TEMP CALIB" appears in the upper text area and "UPPER CALIBRATE. Press (+) for Lower calibrate or push START" scrolls twice from right to left in the lower text area.
2. Press START to calibrate the upper oven. "UPPER Calibrate selected" will scroll twice from right to left in the lower text area. "UPPER Calib" is shown in the upper text area and "Press (+) or (-) to set offset" scrolls twice from right to left in the lower text area.

OR

Press "+" to calibrate the lower oven. "LOWER Calibrate selected" scrolls twice in the lower text area. "LOWER Calib" is shown in the upper text area and "Press (+) or (-) to set offset" scrolls twice in the lower text area.

3. Press the Temp/Time "+" pad to increase or decrease the temperature in 5°F (3°C) increments. The adjustment can be set between 30°F (17°C) and -30°F (-17°C).
4. Press START to set the adjustment and exit the Temperature Calibration menu.

Control Lockout

The control can be locked out to avoid unintended use of the oven.

The control cannot be locked if the oven is in use, or the oven temperature is 400°F (205°C) or above.

The current time of day will remain in the display when the control is locked.

To Lock Control:

1. Press and hold START for 3 seconds or until "CONTROL LOCKED" appears in the display. "Control locked" scrolls while the control is locking, then "LOCKED" is displayed. "LOCKED" remains lit in the display.

To Unlock Control:

Press and hold START for 3 seconds or until "Press and hold START" scrolls in the display.

"UNLOCKING" appears in the display while the control is unlocking. The time of day appears and remains in the display.

OVEN USE

Odors and smoke are normal when the oven is used the first few times, or when it is heavily soiled.

Preheat is recommended for cooking most foods. Food should be placed in the oven when the preheat beep occurs. Some modes use elaborate cycling to achieve best performance. If the oven temperature is increased after the oven is preheated, make sure the oven is preheated to the new temperature before food is put into the oven. If food is in the oven during preheat, it may become over cooked.

IMPORTANT: The health of some birds is extremely sensitive to the fumes given off. Exposure to the fumes may result in death to certain birds. Always move birds to another closed and well-ventilated room.

Aluminum Foil

IMPORTANT: To avoid permanent damage to the oven bottom finish, do not line the oven bottom with any type of foil, liner or cookware.

- For best cooking results, do not cover entire rack with foil because air must be able to move freely.
- To catch spills, place foil on rack below dish. Make sure foil is at least ½" (1.3 cm) larger than the dish and that it is turned up at the edges.

Positioning Racks and Bakeware

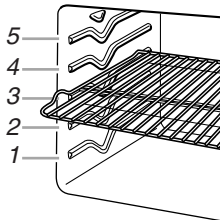
IMPORTANT: To avoid permanent damage to the porcelain finish, do not place food or bakeware directly on the oven door or bottom.

Racks

- Position racks before turning on the oven.
- Do not position racks with bakeware on them.
- Make sure racks are level.
- The upper oven is equipped with 1 flat rack.
- The lower oven is equipped with 2 flat racks.
- Place food so it will not rise into the broil burner. Allow at least ½" (1.3 cm) between pans and the broil burner.

To Remove Oven Racks:

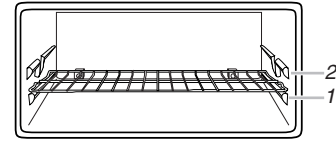
Flat Racks: Pull rack out to the stop position, raise the front edge, and then lift out.



To Replace Oven Racks:

Place rack on the rack support in the oven. Tilt the front edge up slightly, and slide rack back until it clears the stop position. Lower front and slide back into the oven.

Rack Positions - Upper Oven



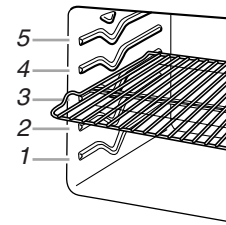
Baking

FOOD	RACK POSITION
Large dishes, frozen meals, sheet cakes, biscuits	1
Cookies, pizzas	2

Broiling

FOOD	RACK POSITION
Broiling	1

Rack Positions - Lower Oven



Traditional Cooking

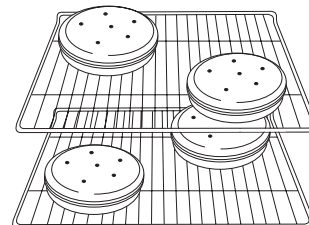
FOOD	RACK POSITION
Large roasts, turkeys, angel food, bundt and tube cakes, quick breads, pies	1 or 2
Yeast breads, casseroles, meat and poultry and 2-rack baking	2
Cookies, biscuits, muffins, cakes, 1-rack baking	2 or 3
2-rack baking	3 and 5, or 2 and 4, or 2 and 5

Multiple Rack Cooking

2-rack: Use rack positions 2 and 4, or 2 and 5, or 3 and 5.

Baking Layer Cakes on 2 Racks

For best results when baking cakes on 2 racks, use rack positions 2 and 4. Place the cakes on the racks as shown.



If oven has been converted for use with LP gas, use rack positions 3 and 5. Place cakes on racks as shown.

Convection Cooking (on some models)

FUNCTION	NUMBER OF RACKS USED	RACK POSITION(S)
Convection baking or roasting	1	1, 2 or 3
Convection baking	2	2 and 4

BAKEWARE

To cook food evenly, hot air must be able to circulate. Allow 2" (5.0 cm) of space around bakeware and oven walls. Use the following chart as a guide.

NUMBER OF PAN(S)	POSITION ON RACK
1	Center of rack.
2	Side by side or slightly staggered.
3 or 4	Opposite corners on each rack. Make sure that no bakeware piece is directly over another. See "Baking Layer Cakes on 2 Racks" in the "Oven Use" section.

Bakeware

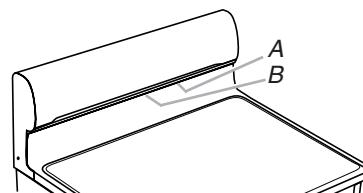
The bakeware material affects cooking results. Follow manufacturer's recommendations and use the bakeware size recommended in the recipe. Use the following chart as a guide.

BAKEWARE/ RESULTS	RECOMMENDATIONS
Light colored aluminum <ul style="list-style-type: none"> Light golden crusts Even browning 	<ul style="list-style-type: none"> Use temperature and time recommended in recipe.
Dark aluminum and other bakeware with dark, dull and/or nonstick finish <ul style="list-style-type: none"> Brown, crisp crusts 	<ul style="list-style-type: none"> May need to reduce baking temperatures slightly. Use suggested baking time. For pies, breads and casseroles, use temperature recommended in recipe. Place rack in center of oven.
Insulated cookie sheets or baking pans <ul style="list-style-type: none"> Little or no bottom browning 	<ul style="list-style-type: none"> Place in the bottom third of oven. May need to increase baking time.
Stainless steel <ul style="list-style-type: none"> Light, golden crusts Uneven browning 	<ul style="list-style-type: none"> May need to increase baking time.
Stoneware/Baking stone <ul style="list-style-type: none"> Crisp crusts 	<ul style="list-style-type: none"> Follow manufacturer's instructions.
Ovenproof glassware, ceramic glass or ceramic <ul style="list-style-type: none"> Brown, crisp crusts 	<ul style="list-style-type: none"> May need to reduce baking temperatures slightly.

Meat Thermometer

On models without a temperature probe, use a meat thermometer to determine whether meat, poultry and fish, are cooked to the desired degree of doneness. The internal temperature, not appearance, should be used to determine doneness. A meat thermometer is not supplied with this appliance. Follow manufacturer's directions for using a meat thermometer.

Oven Vents



A. Lower oven vent
B. Upper oven vent

The oven vents release hot air and moisture from the ovens, and should not be blocked or covered. Blocking or covering the vents will cause poor air circulation, affecting cooking and cleaning results. Do not set plastics, paper or other items that could melt or burn near the oven vents.

Baking

Before baking, position racks according to the "Positioning Racks and Bakeware" section.

- If only one oven is to be used, that oven will preheat more quickly.
- Allow at least 1/2" (1.3 cm) between the baking pan or casserole and the top burner in the upper oven. Loaf, angel food or bundt pans are not recommended in the upper oven.
- When preheating with a baking/pizza stone inside the upper oven, do not set oven above 400°F (205°C). To use baking/pizza stones at temperatures above 400°F (205°C) in the upper oven, put stone in after the preheat beep.

To Bake:

- Press the BAKE keypad for desired oven. "BAKE" will scroll in the upper or lower text area (depending on oven selection), and 350°F (175°C) will be displayed. After 3 seconds, "Set temp or" will scroll in the selected oven text area, followed by "Push START."
- Press the Temp/Time "+" or "-" pads until the desired temperature is displayed.

NOTE: The temperature may be changed at any time by pressing the Temp/Time "+" or "-" pads until the desired temperature is displayed and then START. Changing the temperature once food is placed in the oven could affect the performance.
- (Optional) If a Set Cooking Time is desired, press COOK TIME. Press the Temp/Time "+" or "-" pads to adjust the cook time by 1-minute increments until the desired time is displayed. "Push START" will scroll in the selected oven text area.

4. Press START.

If the upper oven is used “Preheating” will appear in the upper oven text area. If the lower oven is used, depending on the selection, “Rapid preheating for single rack. Press START to preheat for multi rack baking.” will appear. If no change is made, “Preheating for single rack baking” will appear in the display.

If multi-rack baking is desired, the “START” pad should be pressed and “Standard preheat for multi rack baking. Press START to preheat for single rack baking.” will appear in the display followed by “Preheating for multi rack baking.”

“Rapid preheating for single rack baking” will scroll in the selected oven text area. “Preheating” remains in the text area until the set temperature is reached. When the preheat cycle is complete, “Preheat done insert food for one rack baking only” will scroll twice in the selected oven text area.

5. When the preheat cycle is complete, insert food. “Insert food for one rack baking” or “Insert food for multi rack baking” will appear in the selected oven text area.

“Bake” will scroll in the selected oven text area until CANCEL for the selected oven is pressed.

6. Place food in the oven when the preheat tone is given.

7. Press UPPER or LOWER CANCEL when finished.

8. Remove food from the oven.

- For proper draining, do not cover the grid with foil. The bottom of the pan may be lined with aluminum foil for easier cleaning.
- Trim excess fat to reduce spattering. Slit the remaining fat on the edges to avoid curling.
- Broil feature is only available in the upper oven.
- Select HI/550°F (288°C) broil for most broiling. Select LO/450°F (232°C) broil for low-temperature broiling of longer cooking foods such as poultry to avoid overbrowning.
- Pull out oven rack to stop position before turning or removing food. Use tongs to turn food to avoid the loss of juices. Very thin cuts of fish, poultry or meat may not need to be turned.
- After broiling, remove the pan from the oven when removing the food. Drippings will bake on the pan if left in the heated oven, making cleaning more difficult.

Before broiling, position rack according to the Broiling Chart. Preheat oven for 5 minutes, position food on grid in the broiler pan, then place it in the center of the oven rack. Close the door.

To Broil Using Hi/Low Temperature Settings:

1. Press BROIL.

“BROIL” will appear in the upper text area, and HI will be displayed.

After 3 seconds, “Set temp or” will scroll in the upper text area, followed by “Push START.”

2. Press the Temp/Time “+” or “-” pads to adjust the broil temperature setting to HI or LO.

3. Press START.

“Broiling” will scroll in the upper text area and remains there until the set temperature is reached.

Then “BROIL” will scroll in the upper text area until UPPER CANCEL is pressed.

4. Preheat oven for 5 minutes, then place food in the oven.

5. Press UPPER CANCEL when finished.

6. Remove food from the oven.

Broiling

Broiling uses direct radiant heat to cook food. The lower the temperature, the slower the cooking. Thicker cuts and unevenly shaped pieces of meat, fish and poultry may cook better at lower broiling temperatures.

- For best results, use a broiler pan and grid. They are designed to drain juices and help avoid spatter and smoke.

If you would like to purchase a broiler pan, one may be ordered. See “Assistance or Service” section to order.

BROILING CHART

Broil times are based on a 5-minute preheat. Times are guidelines only and may need to be adjusted for individual tastes. Turn meat halfway through cooking time. Recommended rack positions are numbered from the bottom (1) to the top (5). For diagram, see the “Positioning Racks and Bakeware” section.

FOOD	RACK POSITION	SETTING	UPPER OVEN COOK TIME (minutes)
Steak 1" (2.5 cm) thick medium	1	HI	12-16
Ground meat patties 4 oz (113 g), ¾" (2.0 cm) thick up to 12, well-done up to 6, well-done	1 1	HI HI	15-20 12-16
Pork chops 1" (2.5 cm) thick, well-done	1	HI	20-25
Chicken bone-in, skin-on breast pieces well-done	1	LO	30-40
Fish* Filets, flaky Steaks, 1" (2.5 cm) thick, flaky	1 1	LO LO	6-7 10-14

*When broiling fish, spray broil pan with cooking oil. Do not turn fish filets.

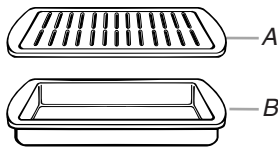
Convection Cooking - Lower Oven Only

(on some models)

During convection cooking, the fan provides increased hot air circulation throughout the oven. The movement of heated air around the food helps to speed up cooking by penetrating the cooler outer surfaces.

- It is important not to cover foods so that surface areas remain exposed to the circulating air, allowing browning and crisping.
- Keep heat loss to a minimum by only opening the oven door when necessary.
- Choose cookie sheets without sides and roasting pans with lower sides to allow air to move freely around the food.
- Test baked goods for doneness a few minutes before the minimum cooking time with a method such as a toothpick.
- Use a meat thermometer to determine the doneness of meats and poultry. Check the temperature of pork and poultry in 2 or 3 different places, including the thickest part.
- Before convection cooking, position the rack(s) according to the "Positioning Racks and Bakeware" section.
- When using more than one rack, position bakeware/cookware on the racks to allow movement of the fan circulated air around the food. See the "Positioning Racks and Bakeware" section.
- If the oven is full, extra cooking time may be needed.
- For optimal cooking results, do not cover food.
- When roasting poultry and meat, use a broiler pan and grid. It is not necessary to wait for the oven to preheat, unless recommended in the recipe.

To order a broiler pan, see the "Assistance or Service" section.



A. Broiler grid
B. Broiler pan

Convection Baking (on some models)

Use Convection Bake for single or multiple rack baking. When convection baking, reduce your recipe baking temperature by 25°F (15°C).

To Set Convection Bake:

1. Press CONVECT BAKE.
"CONVECT BAKE" will scroll in the lower text area, and 325°F (163°C) will be displayed.
"Set temp or" will scroll in the lower oven text area, followed by "Push START."
2. Press the Temp/Time "+" or "-" pads until the desired temperature is displayed.

3. Press START to begin preheating oven.
"CONVECT BAKE" will scroll in the lower oven text area and "Rapid Preheating for single rack. Press START to preheat for multi-rack" will scroll in the lower oven text area until the set temperature is reached.
NOTE: If the upper oven is in use, the lower oven will default to the standard preheat/multi-rack baking option.
4. "Insert food for one rack convection only" will scroll twice in the lower text area once the one-rack preheat temperature is reached.
5. When prompted in the display, Press START if multi-rack baking is desired. If multi-rack baking is selected, "Standard preheating for multi-rack baking. Press Start to preheat for single rack" will appear in the display followed by "Preheating for multi-rack baking." "Insert food" will appear once the oven set temperature is reached.
6. When the preheat cycle is complete, "CONVECT BAKE" will scroll in the lower oven text area until LOWER CANCEL is pressed.
7. Place food in the oven.
To change the oven temperature during cooking, press the Temp/Time "+" or "-" pads until the desired temperature is displayed and then START.
8. Press LOWER CANCEL when finished.
9. Remove food from the oven.

Convection Roasting (on some models)

When convection roasting, enter your normal roasting temperature. The roasting time should be 15-30% less than conventional cooking.

It is not necessary to preheat the oven for convection roast.

1. Place food in oven.
2. Press CONVECT ROAST.
"CONVECT ROAST" will scroll in the lower text area, and 350°F (176°C) will be displayed.
"Set temp or" will scroll in the lower oven text area, followed by "Push START."
3. Press the Temp/Time "+" or "-" pads until the desired temperature is displayed.
4. Press START.
"CONVECT ROAST" will scroll in the lower oven text area.
"Preheating" will scroll in the lower oven text area until the set temperature is reached.
5. When the preheat cycle is complete, "CONVECT ROAST" will scroll in the lower text area. The set temperature will also be displayed.
6. To change the oven temperature during cooking, press the Temp/Time "+" or "-" pads until the desired temperature is displayed and then START.
"CONVECT ROAST" will remain in the lower text area until LOWER CANCEL is pressed.
7. Press LOWER CANCEL when finished.
8. Remove food from the oven.

Keep Warm™ Feature

WARNING

Food Poisoning Hazard

Do not let food sit in oven more than one hour before or after cooking.

Doing so can result in food poisoning or sickness.

IMPORTANT: Food must be at serving temperature before placing it in the warmed oven. Food may be held up to 1 hour; however, breads and casseroles may become too dry if left in the oven during the Keep Warm™ function. For best results, cover food.

The Keep Warm™ feature allows hot cooked foods to stay at serving temperature.

To Use:

1. Press the KEEP WARM keypad for desired oven.

“KEEP WARM” will scroll in the upper or lower text area (depending on oven selection), and 170°F (77°C) will be displayed.

“Set temp or” will scroll in the selected oven text area, followed by “Push START.”

2. Press the Temp/Time “+” or “-” pads to adjust the temperature by 5°F (3°C) increments until the desired temperature is displayed.

The temperature can be set from 145°F (63°C) to 190°F (85°C).

NOTE: The temperature may be changed at any time by pressing the Temp/Time “+” or “-” pads until the desired temperature is displayed and then START.

3. Press START.
“Keep Warm” will appear in the selected oven text area, and the set temperature will be displayed.
4. “KEEP WARM” and the temperature will be displayed while the Keep Warm setting is active.
5. Place food in the oven.
6. Press CANCEL for the selected oven when finished.
7. Remove food from the oven.

To Cancel Keep Warm™ Feature:

Press CANCEL for the oven that is in use. Remove food from oven.

Automatic Shutoff/Sabbath Mode

The oven control is set to automatically shut off the oven 12 hours after the oven is turned on. This feature can be turned off by using the Sabbath Mode.

- 12 Hour Shutoff Mode is disabled during an active Sabbath Mode.
- All tones and chimes are disabled during an active Sabbath Mode.
- All cooking and cleaning modes, except for Bake, are disabled.
- All keys are disabled during an active Sabbath Mode except for Cancel, Start, Kitchen Timer, Warming Center On and Off, and the Temp/Time “+” and “-” keys.
- Oven lights status will remain in the state they were in before entering into the active Sabbath Mode.
- Once in the active Sabbath Mode, the oven light will not respond to the Oven Light key or the door being opened.
- Timers are disabled during active Sabbath Mode.
- Cooktop burners can be enabled for use during Sabbath Mode.
- Cooktop lockout (if applicable) is disabled during the Sabbath Mode.
- Baking should be done using one rack in the upper and lower oven.

To Enable Sabbath Mode (one time only):

Sabbath mode should be activated using the SETTINGS menu or by following these instructions.

1. Open the lower oven door.
2. Press LOWER CANCEL.
3. Press and hold the Temp/Time “+” pad for 5 seconds. “Sabbath on” appears in the upper text display area, and “Press START to enter” scrolls in the lower text area.
4. Press START to confirm your selection.
“Sabbath Mode - on Holidays press (+) to change temp by +25F and (-) to change temp by -25F and push Start” scrolls in upper text area.

Sabbath mode is now enabled but is not yet active.

5. Close the oven door.

NOTE: A bake function for either, or both, ovens must be started before Sabbath Mode can be activated. The bake function may be set with Cook Time or Delay Start, if desired. See the “Baking” or “Delay Start” sections for more information.

To Disable Sabbath Mode:

1. Open the lower oven door.
2. Press LOWER CANCEL.
3. Press and hold the Temp/Time “+” pad for 5 seconds or until “Sabbath off” appears in the upper text area.
4. Close the oven door.

To Activate an Enabled Sabbath Mode:

Sabbath Mode can be activated at any time during an enabled Sabbath Mode.

1. With a timed or untimed Bake function started (see the “Baking” section for help starting Bake), press and hold KITCHEN TIMER for 5 seconds. “Sabbath-Bake” appears in the upper text area for 3 seconds.

For a Timed Bake function, the time will also be displayed.

The display will continuously scroll “Sabbath Mode- on Holidays press (+) to change temp by +25F and (-) to change temp by -25F and press Start.”

To Adjust Temperature (when Sabbath Mode is running in only one oven):

1. Press the Temp/Time “+” or “-” pad. Each press of the pad will increase or decrease temperature by 25°F (14°C). No temperature will appear in the display.
2. Press and hold START longer than 1 second to set the temperature change.

To Adjust Temperature (when Sabbath Mode is running in both ovens):

1. Press BAKE for the desired oven.
2. Press the Temp/Time “+” or “-” pad. Each press of the pad will increase or decrease temperature by 25°F (14°C). No temperature will appear in the display.
3. Press and hold START longer than 1 second to set the temperature change.

To Deactivate an Enabled Sabbath Mode:

Sabbath Mode can be deactivated at any time during an enabled Sabbath Mode.

1. Press and hold KITCHEN TIMER for 5 seconds to return to regular baking or press CANCEL to turn off the oven(s).

If a Power Failure Occurs During Sabbath Mode

If a power failure occurs during Sabbath Mode, the upper text area will display “Sabbath.” Press UPPER or LOWER CANCEL to exit Sabbath Mode and return to the Automatic Shutoff Mode.

Favorite

WARNING

Food Poisoning Hazard

Do not let food sit in oven more than one hour before or after cooking.

Doing so can result in food poisoning or sickness.

The Favorite feature allows you to save the time and temperature settings from any active cook function.

To Save a Cooking Function as a Favorite:

1. Press and hold FAVORITE until “PRESS + FOR UPPER OVEN” appears in the upper text area, and “PRESS (-) FOR LOWER OVEN” appears in the lower text area.
2. Press the Temp/Time “+” or “-” pad to select the oven in use. The selected cooking function will be displayed in the selected oven text display area for 3 seconds.
3. “SAVED” will scroll in the selected oven text display area for 3 seconds. If a cook time is programmed, it will be displayed.
4. The cooking function is now stored as a Favorite, and the control resumes operation of the saved cooking function.

To Recall and Start a Favorite:

1. Press FAVORITE.

The name of the saved cook function will scroll into the display text area of the oven that it was saved from for 3 seconds.

“Set temp or” appears in the display followed by “Push START.”

2. Press START.

The name of the saved cook function will scroll into the display text area of the oven that it was saved from for 3 seconds followed, by the appropriate preheating message.

The temperature and time displays are active and indicate the current oven temperature (if below 170°F, “Lo” is displayed) and the countdown time elapsed.

The set temperature can be changed by pressing the Temp/Time “+” or “-” pads, then START. Similarly, the Cook Time can be changed by pressing COOK TIME then the Temp/Time “+” or “-” pads to adjust to the desired time, then START. If the cook time is adjusted, the time remaining is increased by the additional time.

Once the set temperature is reached, the temperature will display, and the name of the saved cook function will scroll into the display text area of the oven that it was saved from until the Cook Time countdown has been completed.

3. Place food in the oven.
4. Press CANCEL for the oven that is being used when finished.
5. Remove food from the oven.

To Cancel a Favorite Cycle:

1. Press UPPER or LOWER CANCEL (depending on the oven where the Favorite function is operating). The stored Favorite cycle will not be affected.
2. Remove food from the oven.

Timed/Delay Cooking

WARNING

Food Poisoning Hazard

Do not let food sit in oven more than one hour before or after cooking.

Doing so can result in food poisoning or sickness.

Timed Cooking allows the oven(s) to cook for a set length of time. Delay Cooking allows the oven(s) to be set to turn on at a certain time of day. Delay start should not be used for food such as breads and cakes because they may not bake properly.

Timed Cooking is available on most cycles except Self-Clean and Keep Warm.

Delay Cooking is available on the Bake, Convection Bake, and Convection Roast cycles.

To Set a Cook Time:

1. Press the button for any cooking function except Self-Clean or Keep Warm.
Press the Temp/Time "+" or "-" pads to enter a temperature other than the one displayed then press START.
2. Press COOK TIME.
3. Press Temp/Time "+" or "-" pads to enter the length of time to cook.
4. Press START.

The cook time countdown will appear on the oven display.

When the stop time is reached, the oven will shut off automatically, and end-of-cycle tones will sound.

To Set a Delay Cooking Time:

Before setting, make sure the clock is set to the correct time of day. See "Clock" in the "Settings" section.

1. Press the button for any cooking function except Self-Clean or Keep Warm.
Press the Temp/Time "+" or "-" pads to enter a temperature other than the one displayed then press START.
2. Press DELAY START.
3. Press Temp/Time "+" or "-" pads to enter the delay start time.
The delay start time is the amount of time by which you want to delay the start.
4. Press START.
5. Press the Temp/Time "+" or "-" pads to enter the desired length of cooking time.
6. Press START.

The start time is automatically calculated and displayed.

The delay countdown appears on the oven display.

When the start time is reached, the oven will automatically turn on. The cook time countdown will appear on the oven display.

The set temperature and minute time countdown will appear on the oven display.


When the stop time is reached, the oven will shut off automatically and end-of-cycle tones will sound.

RANGE CARE

Self-Cleaning Cycle

(on some models)

⚠ WARNING



Burn Hazard

Do not touch the oven during the Self-Cleaning cycle.

Keep children away from oven during Self-Cleaning cycle.

Failure to follow these instructions can result in burns.

Do not block the oven vent(s) during the Self-Cleaning cycle. Air must be able to move freely. Depending on your model, see "Oven Vent" or "Oven Vents" section.

Do not clean, rub, damage or move the oven door gasket. The door gasket is essential for a good seal.

Prepare Oven:

- Remove the broiler pan, grid, cookware and bakeware and, on some models, the temperature probe from the oven.
- Remove oven racks to keep them shiny and easy to slide. See "General Cleaning" section for more information.
- Remove any foil from the oven because it may burn or melt, damaging the oven.
- Hand clean inside door edge and the 1½" (3.8 cm) area around the inside oven cavity frame, being certain not to move or bend the gasket. This area does not get hot enough during self-cleaning to remove soil. Do not let water, cleaner, etc., enter slots on door frame. Use a damp cloth to clean this area.
- Wipe out any loose soil to reduce smoke and avoid damage. At high temperatures, foods react with porcelain. Staining, etching, pitting or faint white spots can result. This will not affect cooking performance.

IMPORTANT: The health of some birds is extremely sensitive to the fumes given off during the Self-Cleaning cycle. Exposure to the fumes may result in death to certain birds. Always move birds to another closed and well-ventilated room.

Self-clean the oven before it becomes heavily soiled. Heavy soil results in longer cleaning and more smoke.

Keep the kitchen well-ventilated during the Self-Cleaning cycle to help get rid of heat, odors, and smoke.

Prepare Cooktop:

- Remove plastic items from the cooktop because they may melt.

NOTE: The cooktop burners will not function during the self-clean cycle.

IMPORTANT:

Oven temperature must be below 400°F (205°C) to program a clean cycle.

Only 1 oven can be cleaned at a time.

Both oven doors lock when either oven is being cleaned.

How the Cycle Works

IMPORTANT: The heating and cooling of porcelain on steel in the oven may result in discoloring, loss of gloss, hairline cracks and popping sounds.

The Self-Cleaning cycle uses very high temperatures, burning soil to a powdery ash.

The oven is preset for a 3 hour clean cycle; however, the time can be changed. Suggested clean times are 2 hours for light soil and between 3 hours and 4 hours for average to heavy soil.

Once the oven has completely cooled, remove ash with a damp cloth. To avoid breaking the glass, do not apply a cool damp cloth to the inner door glass before it has completely cooled.

The oven light will not work during the Self-Cleaning cycle.

When "LOCK" shows in the display, the door cannot be opened. To avoid damage to the door, do not force the door open when "LOCK" is displayed.

If an oven door is left open, "Door Open? Clean Canceled" will appear in the display and a signal will beep. Close the oven door and press SELF CLEAN.

NOTE: Only one oven can use the Self-Clean cycle at a time, and 24 hours must pass before the next Self-Clean can begin.

To Self-Clean:

1. Close the oven door.
2. Press SELF CLEAN.
"PRESS (+) FOR UPPER OVEN" will appear in the upper oven text area, and "PRESS (-) FOR LOWER OVEN" will appear in the lower oven text area
3. Press the Temp/Time "+" or "-" pads to select the desired oven.
"REMOVE RACKS" will scroll in the selected oven text area followed by "SELECT OPTION." In the other text area, "PRESS + or - KEY" will scroll from left to right.
4. Choose the Standard Clean setting by pressing the Temp/Time "+" or "-" pads until "STANDARD CLEAN" and "PUSH START" scroll in the displays.
5. Press START.
"Select level" appears in the display.
6. Press the Temp/Time "+" or "-" pads to adjust the clean level.
7. Press START.
"UNLOCK IN XXX" will scroll in the upper or lower text area (depending on oven selection). "LOCKING" will scroll until the door is locked.

After the door is lock, "CLEAN UPPER" or "CLEAN LOWER" will scroll in the selected oven text area until the clean cycle is finished.

When the self-clean cycle ends:

"CLN COMPLETE" will scroll in the selected oven text area.

"OVEN COOLING" will scroll in the display until the oven temperature falls below 500°F (260°C).

"UNLOCKING" will be displayed until the oven door unlocks and the lock icon turns off.

To Delay Start Self-Clean:

1. Press Delay Start.
"PRESS (+) FOR UPPER OVEN" will appear in the upper text area, and "PRESS (-) FOR LOWER OVEN" will appear in the lower text area.
2. Press the Temp/Time "+" or "-" pads to select the desired oven.
"--:--" will be displayed, and "Set starting time. Push START" will scroll from right to left in the selected oven text area for 2 minutes or until the Temp/Time "+" or "-" pads are pressed again.
3. Press the Temp/Time "+" or "-" pads until the desired time is reached.
"Select cooking/cleaning mode" will scroll in the selected oven text area for 2 minutes or until a cleaning cycle is selected.
4. Press SELF CLEAN.
"REMOVE RACKS" will scroll in the selected oven text area for 5 seconds, followed by "SELECT OPTION." In the other text area, "PRESS + or - KEY" will scroll from left to right.
5. Press the Temp/Time "+" or "-" pads until "Standard Clean" is displayed.
"Push START" will scroll in the selected oven text area.
6. Press START. "Select level" appears in the display.
7. Press the Temp/Time "+" or "-" pads to select the desired cleaning level.
8. Press START.
The cleaning cycle will begin, when the delay time is reached.
"UNLOCK IN XXX" will scroll in the upper or lower text area (depending on oven selection). After 5 seconds, "LOCKING" will scroll until the door is locked.
After the door is lock, "CLEAN UPPER" or "CLEAN LOWER" will scroll in the displays until the clean cycle is finished.

When the self-clean cycle ends:

"CLN COMPLETE" will scroll in the selected oven text area.

"OVEN COOLING" will scroll in the display until the oven temperature falls below 500°F (260°C).

"UNLOCKING" will be displayed until the oven door unlocks and the lock icon turns off.

General Cleaning

IMPORTANT: Before cleaning, make sure all controls are off and the oven and cooktop are cool. Always follow label instructions on cleaning products.

Soap, water and a soft cloth or sponge are suggested first unless otherwise noted.

EXTERIOR PORCELAIN ENAMEL SURFACES

Food spills containing acids, such as vinegar and tomato, should be cleaned as soon as the entire range is cool. These spills may affect the finish.

Cleaning Method:

- Glass cleaner, mild liquid cleaner or nonabrasive scrubbing pad: Gently clean around the model and serial number plate because scrubbing may remove numbers.
- All-Purpose Appliance Cleaner Part Number 31682 (not included):
See “Assistance or Service” section to order.

STAINLESS STEEL (on some models)

To avoid damage to stainless steel surfaces, do not use soap-filled scouring pads, abrasive cleaners, Cooktop Cleaner, steel-wool pads, gritty washcloths or abrasive paper towels.

Cleaning Method:

- Rub in direction of grain to avoid damaging.
- Stainless Steel Cleaner and Polish Part Number 31462 (not included): See “Assistance or Service” section to order.
 - Liquid detergent or all-purpose cleaner: Rinse with clean water and dry with soft, lint-free cloth.

PORCELAIN-COATED GRATES AND CAPS

Food spills containing acids, such as vinegar and tomato, should be cleaned as soon as the cooktop, grates and caps are cool. These spills may affect the finish.

To avoid chipping, do not bang grates and caps against each other or hard surfaces such as cast iron cookware.

Do not reassemble caps on burners while they are wet.

Cleaning Method:

- Nonabrasive plastic scrubbing pad and mildly abrasive cleanser:
Clean as soon as cooktop, grates and caps are cool.
- Dishwasher (grates only, not caps):
Use the most aggressive cycle. Cooked-on soils should be soaked or scrubbed before going into a dishwasher.
- Gas Grate and Drip Pan Cleaner Part Number 31617:
See “Assistance or Service” section to order.

GRIDDLE

Before using the griddle for the first time and after each use, wash thoroughly with mild dishwashing detergent and warm water.

- To avoid damaging the nonstick finish, it is not recommended to wash the griddle in the dishwasher.
- To avoid damage, do not use abrasive cleaning products or scouring pads.

COOKTOP CONTROLS

To avoid damage to the cooktop controls, do not use steel wool, abrasive cleansers or oven cleaner.

To avoid damage, do not soak knobs.

When removing or replacing knobs, make sure knobs are in the Off position.

Do not remove seals under knobs, if present.

Cleaning Method:

- Warm, soapy water:
Pull knobs straight away from control panel to remove.

CONTROL PANEL

To avoid damage to the control panel, do not use abrasive cleaners, steel-wool pads, gritty washcloths or abrasive paper towels.

To avoid turning the controls on while cleaning, you may activate the Control Lock feature (on some models). See “Control Lockout” section.

Cleaning Method:

- Glass cleaner and soft cloth or sponge: Apply glass cleaner to soft cloth or sponge, not directly on panel.
- All-Purpose Appliance Cleaner Part Number 31682 (not included):
See “Assistance or Service” section to order.

OVEN DOOR EXTERIOR

Cleaning Method:

- Glass cleaner and paper towels or nonabrasive plastic scrubbing pad: Apply glass cleaner to soft cloth or sponge, not directly on panel.
- All-Purpose Appliance Cleaner Part Number 31682 (not included):
See “Assistance or Service” section to order.

OVEN CAVITY

Do not use oven cleaners.

Food spills should be cleaned when oven cools. At high temperatures, foods react with porcelain and staining, etching, pitting or faint white spots can result.

Cleaning Method:

- Self-Cleaning cycle: See “Self-Cleaning Cycle” first.

OVEN RACKS

Cleaning Method:

- Self-Cleaning cycle: See “Self-Cleaning Cycle” first. Remove racks, or they will discolor and become harder to slide. If this happens, a light coating of vegetable oil applied to the rack guides will help them slide.
- Steel-wool pad

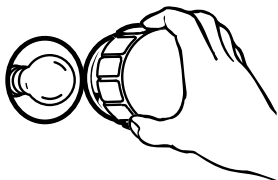
Oven Light

The oven light is a standard 40-watt appliance bulb.

Before replacing, make sure the oven and cooktop are cool and the control knobs are off.

To Replace:

1. Unplug range or disconnect power.
2. Turn the glass bulb cover in the back of the oven counterclockwise to remove.



3. Turn bulb counterclockwise to remove from socket.
4. Replace bulb, then bulb cover by turning clockwise.
5. Plug in range or reconnect power.

Oven Door

IMPORTANT:

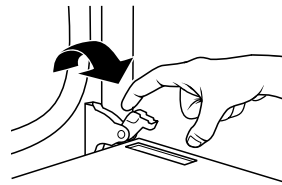
To avoid oven door glass breakage:

- Do not close the oven door if the racks are not fully inserted into the oven cavity or when bakeware extends past the front edge of an oven rack.
- Do not set objects on the glass surface of the oven door.
- Do not hit glass surfaces with bakeware or other objects.
- Do not wipe down glass surfaces until the oven has completely cooled.

For normal range use, it is not suggested to remove the oven door. However, if removal is necessary, make sure the oven is off and cool. Then, follow these instructions. The oven door is heavy.

To Remove:

1. Open oven door all the way.
2. Pull forward and down on the hinge latch on each side.



3. Close the oven door as far as it will shut.
4. Lift the oven door while holding both sides.
Continue to push the oven door closed and pull it away from the oven door frame.



To Replace:

1. Insert both hanger arms into the door.



2. Open the oven door.
You should hear a “click” as the door is set into place.
3. Move the hinge levers back to the locked position. Check that the door is free to open and close. If it is not, repeat the removal and installation procedures.

TROUBLESHOOTING

Try the solutions suggested here first in order to avoid the cost of an unnecessary service call.

Nothing will operate

⚠ WARNING



Electrical Shock Hazard

Plug into a grounded 3 prong outlet.

Do not remove ground prong.

Do not use an adapter.

Do not use an extension cord.

Failure to follow these instructions can result in death, fire, or electrical shock.

- **Is the power supply cord unplugged?**
Plug into a grounded 3 prong outlet.
- **Household fuse blown or circuit breaker tripped?**
Replace the fuse or reset the circuit breaker. If the problem continues, call an electrician.
- **Is the main or regulator gas shutoff valve in the off position?**
See Installation Instructions.
- **Is the range properly connected to the gas supply?**
Contact a trained repair specialist or see Installation Instructions.

Surface burners will not operate

- **Is this the first time the surface burners have been used?**
Turn on any one of the surface burner knobs to release air from the gas lines.
- **Is the control knob set correctly?**
Push in knob before turning to a setting.
- **Are the burner ports clogged?**
See "Sealed Surface Burners" section.

Surface burner flames are uneven, yellow and/or noisy

- **Are the burner ports clogged?**
See "Sealed Surface Burners" section.
- **Are the burner caps positioned properly?**
See "Sealed Surface Burners" section.
- **Is propane gas being used?**
The range may have been converted improperly. Contact a service technician or see "Assistance or Service" section.

Surface burner makes popping noises

- **Is the burner wet?**
Let it dry.

Excessive heat around cookware on cooktop

- **Is the cookware the proper size?**
Use cookware about the same size as the surface cooking area, element or surface burner. Cookware should not extend more than ½" (1.3 cm) outside the cooking area.

Cooktop cooking results not what expected

- **Is the proper cookware being used?**
See "Cookware" section.
- **Is the control knob set to the proper heat level?**
See "Cooktop Controls" section.
- **Is the range level?**
Level the range. See the Installation Instructions.

Oven will not operate

- **Is this the first time the oven has been used?**
Turn on any one of the surface burner knobs to release air from the gas lines.
- **Is the electronic oven control set correctly?**
See "Electronic Oven Control(s)" section.
- **On some models, is the Control Lock set?**
See "Control Lockout" section.

Oven burner flames are yellow or noisy

- **Is propane gas being used?**
The range may have been converted improperly. Contact a service technician or see "Assistance or Service" section.

Oven temperature too high or too low

- **Does the oven temperature calibration need adjustment?**
See "Oven Temperature Control" section.

Display shows messages

- **Is the display showing a flashing time?**
There has been a power failure. Clear the display. On some models, reset the clock, if needed. See "Clock" in the "Settings" section.
- **Is the display showing a letter followed by a number?**
Depending on your model, press CANCEL to clear the display. If it reappears, call for service. See "Assistance or Service" section.

Self-Cleaning cycle will not operate

- **Is the oven door open?**
The display will show "door." Close the oven door all the way.
- **Has the function been entered?**
See "Self-Cleaning Cycle" section.
- **On some models, has a delay start Self-Clean cycle been set?**
See "Self-Cleaning Cycle" section.

- **Has a delay start been set?**
See “Delay Start” section.
- **Is the oven temperature above 400°F (205°C)?**
Let the oven cool before using the self-clean cycle.

Oven cooking results not what expected

- **Is the range level?**
Level the range. See the Installation Instructions.
- **Is the proper temperature set?**
Double-check the recipe in a reliable cookbook.
- **Is the proper oven temperature calibration set?**
See “Oven Temperature Control” section.
- **Was the oven preheated?**
See “Baking” section.
- **Is the proper bakeware being used?**
See “Bakeware” section.

- **Are the racks positioned properly?**
See “Positioning Racks and Bakeware” section.
- **Is there proper air circulation around bakeware?**
See “Positioning Racks and Bakeware” section.
- **Is the batter evenly distributed in the pan?**
Check that batter is level in the pan.
- **Is the proper length of time being used?**
Adjust cooking time.
- **Has the oven door been opened while cooking?**
Oven peeking releases oven heat and can result in longer cooking times.
- **Are baked items too brown on the bottom?**
Move rack to higher position in the oven.
- **Are pie crust edges browning early?**
Use aluminum foil to cover the edge of the crust and/or reduce baking temperature.

ASSISTANCE OR SERVICE

Before calling for assistance or service, please check “Troubleshooting.” It may save you the cost of a service call. If you still need help, follow the instructions below.

When calling, please know the purchase date and the complete model and serial number of your appliance. This information will help us to better respond to your request.

If you need replacement parts

If you need to order replacement parts, we recommend that you use only factory specified parts. Factory specified parts will fit right and work right because they are made with the same precision used to build every new MAYTAG® appliance.

To locate factory specified parts in your area, call the following customer assistance telephone number or your nearest designated service center.

In the U.S.A.

Call Maytag Customer eXperience Center toll free: **1-800-688-9900**, or visit our website at www.maytag.com

Our consultants provide assistance with:

- Features and specifications on our full line of appliances.
- Installation information.
- Use and maintenance procedures.
- Accessory and repair parts sales.
- Specialized customer assistance (Spanish speaking, hearing impaired, limited vision, etc.).
- Referrals to local dealers, repair parts distributors and service companies. Maytag® appliances designated service technicians are trained to fulfill the product warranty and provide after-warranty service, anywhere in the United States.

To locate the Maytag® appliances designated service company in your area, you can also look in your telephone directory Yellow Pages.

For further assistance

If you need further assistance, you can write to Maytag® appliances with any questions or concerns at:

Maytag Brand Home Appliances
Customer eXperience Center
553 Benson Road
Benton Harbor, MI 49022-2692

Please include a daytime phone number in your correspondence.

Accessories

Stainless Steel Cleaner and Polish

(stainless steel models)

Order Part Number 31462

All-Purpose Appliance Cleaner

Order Part Number 31682

Broiler Pan

Order Part Number 4396923

In Canada

Call the Whirlpool Canada LP Customer eXperience Centre toll free: **1-800-807-6777**.

Our consultants provide assistance with:

- Features and specifications on our full line of appliances.
- Use and maintenance procedures.
- Accessory and repair parts sales.
- Referrals to local dealers, repair parts distributors and service companies. Maytag® appliances designated service technicians are trained to fulfill the product warranty and provide after-warranty service, anywhere in Canada.

For further assistance

If you need further assistance, you can write to Whirlpool Canada LP with any questions or concerns at:

Whirlpool Canada LP
Customer eXperience Centre
200 - 6750 Century Ave
Mississauga, Ontario L5N 0B7

Please include a daytime phone number in your correspondence.

MAYTAG® GAS RANGE LIMITED WARRANTY

FIRST YEAR LIMITED WARRANTY (PARTS AND LABOR)

For one year from the date of purchase, when this major appliance is installed, operated and maintained according to instructions attached to or furnished with the product, Maytag brand of Whirlpool Corporation or Whirlpool Canada, LP (hereafter "Maytag") will pay for factory specified replacement parts and repair labor to correct defects in materials or workmanship that existed when this major appliance was purchased.

SECOND THROUGH TENTH YEAR LIMITED WARRANTY (CERTAIN COMPONENT PARTS ONLY - LABOR NOT INCLUDED)

In the second through tenth years from the date of original purchase, when this major appliance is installed, operated and maintained according to instructions attached to or furnished with the product, Maytag will pay for factory specified parts for the following components to correct non-cosmetic defects in materials or workmanship in this part that prevent function of the range and that existed when this major appliance was purchased. This is a limited 10-year warranty on the below named parts only and does not include labor.

- Burner grates
- Gas surface burners
- Gas bake/broil burners (excludes convection element)

YOUR SOLE AND EXCLUSIVE REMEDY UNDER THE LIMITED WARRANTY SHALL BE PRODUCT REPAIR AS PROVIDED HEREIN. Service must be provided by a Maytag designated service company. This limited warranty is valid in the United States or Canada and applies only when the major appliance is used in the country in which it was purchased. This limited warranty is effective from the date of the original consumer purchase. Proof of original purchase date is required to obtain service under this limited warranty.

ITEMS EXCLUDED FROM WARRANTY

This limited warranty does not cover:

1. Service calls to correct the installation of your major appliance, to instruct you on how to use your major appliance, to replace or repair house fuses, or to correct house wiring or plumbing.
2. Service calls to repair or replace appliance light bulbs, air filters or water filters. Consumable parts are excluded from warranty coverage.
3. Repairs when your major appliance is used for other than normal, single-family household use or when it is used in a manner that is contrary to published user or operator instructions and/or installation instructions.
4. Damage resulting from accident, alteration, misuse, abuse, fire, flood, acts of God, improper installation, installation not in accordance with electrical or plumbing codes, or use of consumables or cleaning products not approved by Maytag.
5. Cosmetic damage, including scratches, dents, chips or other damage to the finish of your major appliance, unless such damage results from defects in materials or workmanship and is reported to Maytag within 30 days from the date of purchase.
6. Any food loss due to refrigerator or freezer product failures.
7. Costs associated with the removal from your home of your major appliance for repairs. This major appliance is designed to be repaired in the home and only in-home service is covered by this warranty.
8. Repairs to parts or systems resulting from unauthorized modifications made to the appliance.
9. Expenses for travel and transportation for product service if your major appliance is located in a remote area where service by an authorized Maytag servicer is not available.
10. The removal and reinstallation of your major appliance if it is installed in an inaccessible location or is not installed in accordance with published installation instructions.
11. Major appliances with original model/serial numbers that have been removed, altered or cannot be easily determined. This warranty is void if the factory applied serial number has been altered or removed from your major appliance.

The cost of repair or replacement under these excluded circumstances shall be borne by the customer.

DISCLAIMER OF IMPLIED WARRANTIES; LIMITATION OF REMEDIES

CUSTOMER'S SOLE AND EXCLUSIVE REMEDY UNDER THIS LIMITED WARRANTY SHALL BE PRODUCT REPAIR AS PROVIDED HEREIN. IMPLIED WARRANTIES, INCLUDING WARRANTIES OF MERCHANTABILITY OR FITNESS FOR A PARTICULAR PURPOSE, ARE LIMITED TO ONE YEAR OR THE SHORTEST PERIOD ALLOWED BY LAW. MAYTAG SHALL NOT BE LIABLE FOR INCIDENTAL OR CONSEQUENTIAL DAMAGES. SOME STATES AND PROVINCES DO NOT ALLOW THE EXCLUSION OR LIMITATION OF INCIDENTAL OR CONSEQUENTIAL DAMAGES, OR LIMITATIONS ON THE DURATION OF IMPLIED WARRANTIES OF MERCHANTABILITY OR FITNESS, SO THESE EXCLUSIONS OR LIMITATIONS MAY NOT APPLY TO YOU. THIS WARRANTY GIVES YOU SPECIFIC LEGAL RIGHTS, AND YOU MAY ALSO HAVE OTHER RIGHTS WHICH VARY FROM STATE TO STATE OR PROVINCE TO PROVINCE.

If outside the 50 United States and Canada, contact your authorized Maytag dealer to determine if another warranty applies.

If you think you need repair service, first see the "Troubleshooting" section of the Use & Care Guide. If you are unable to resolve the problem after checking "Troubleshooting," additional help can be found by checking the "Assistance or Service" section or by calling Maytag. In the U.S.A., call **1-800-688-9900**. In Canada, call **1-800-807-6777**.

5/10

Keep this book and your sales slip together for future reference. You must provide proof of purchase or installation date for in-warranty service.

Write down the following information about your major appliance to better help you obtain assistance or service if you ever need it. You will need to know your complete model number and serial number. You can find this information on the model and serial number label located on the product.

Dealer name _____

Address _____

Phone number _____

Model number _____

Serial number _____

Purchase date _____

SÉCURITÉ DE LA CUISINIÈRE

Votre sécurité et celle des autres est très importante.

Nous donnons de nombreux messages de sécurité importants dans ce manuel et sur votre appareil ménager. Assurez-vous de toujours lire tous les messages de sécurité et de vous y conformer.



Voici le symbole d'alerte de sécurité.

Ce symbole d'alerte de sécurité vous signale les dangers potentiels de décès et de blessures graves à vous et à d'autres.

Tous les messages de sécurité suivront le symbole d'alerte de sécurité et le mot "DANGER" ou "AVERTISSEMENT". Ces mots signifient :

⚠ DANGER

Risque possible de décès ou de blessure grave si vous ne suivez pas immédiatement les instructions.

⚠ AVERTISSEMENT

Risque possible de décès ou de blessure grave si vous ne suivez pas les instructions.

Tous les messages de sécurité vous diront quel est le danger potentiel et vous disent comment réduire le risque de blessure et ce qui peut se produire en cas de non-respect des instructions.

AVERTISSEMENT : Si les renseignements dans ce manuel ne sont pas exactement observés, un incendie ou une explosion peut survenir, causant des dommages au produit, des blessures ou un décès.

- **Ne pas entreposer ni utiliser de l'essence ou d'autres vapeurs ou liquides inflammables à proximité de cet appareil ou de tout autre appareil électroménager.**
- **QUE FAIRE DANS LE CAS D'UNE ODEUR DE GAZ :**
 - **Ne pas tenter d'allumer un appareil.**
 - **Ne pas toucher à un commutateur électrique.**
 - **Ne pas utiliser le téléphone se trouvant sur les lieux.**
 - **Appeler immédiatement le fournisseur de gaz à partir du téléphone d'un voisin. Suivre ses instructions.**
 - **À défaut de joindre votre fournisseur de gaz, appeler les pompiers.**
- **L'installation et l'entretien doivent être effectués par un installateur qualifié, une agence de service ou le fournisseur de gaz.**

AVERTISSEMENT : L'odorat ne permet pas toujours la détection d'une fuite de gaz.

Les distributeurs de gaz recommandent l'emploi d'un détecteur de gaz (homologation UL ou CSA).

Pour d'autre information, contacter le fournisseur de gaz local.

En cas de détection d'une fuite de gaz, exécuter les instructions "Que faire dans le cas d'une odeur de gaz".

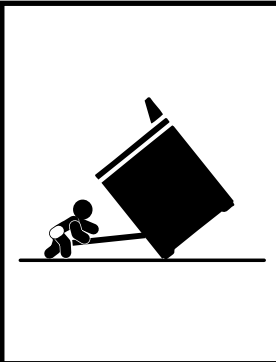
Avertissements de la proposition 65 de l'État de Californie :

AVERTISSEMENT : Ce produit contient au moins un produit chimique connu par l'État de Californie pour être à l'origine de cancers.

AVERTISSEMENT : Ce produit contient au moins un produit chimique connu par l'État de Californie pour être à l'origine de malformations et autres déficiences de naissance.

La bride antibasculement

Dans des conditions de service normales, la cuisinière ne bascule pas. Elle peut cependant basculer si une force ou un poids excessif est appliqué sur la porte ouverte alors que la bride antibasculement n'est pas convenablement fixée.



! AVERTISSEMENT

Risque de basculement

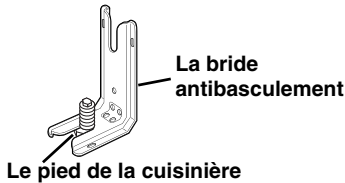
Un enfant ou une personne adulte peut faire basculer la cuisinière ce qui peut causer un décès.

Joindre la bride antibasculement au pied arrière de la cuisinière.

Joindre de nouveau la bride antibasculement si la cuisinière est déplacée.

Voir détails dans les instructions d'installation.

Le non-respect de ces instructions peut causer un décès ou des brûlures graves aux enfants et aux adultes.



Assurez-vous qu'une bride antibasculement est installée :

- **Glisser la cuisinière vers l'avant.**
- **Vérifier que la bride antibasculement est bien fixée au plancher ou au mur.**
- **Glisser de nouveau la cuisinière vers l'arrière de sorte que le pied est sous la bride antibasculement.**

IMPORTANTES INSTRUCTIONS DE SÉCURITÉ

AVERTISSEMENT : Pour réduire le risque d'incendie, de choc électrique, de blessures ou de dommages lors de l'utilisation de la cuisinière, il convient d'observer certaines précautions élémentaires dont les suivantes :

- **AVERTISSEMENT :** POUR MINIMISER LE RISQUE DE BASCULEMENT DE LA CUISINIÈRE, ELLE DOIT ÊTRE BIEN IMMOBILISÉE PAR DES DISPOSITIFS ANTIBASCULEMENT CORRECTEMENT INSTALLÉS. POUR VÉRIFIER SI LES DISPOSITIFS SONT CORRECTEMENT INSTALLÉS, GLISSER LA CUISINIÈRE VERS L'AVANT ET VÉRIFIER SI LA BRIDE ANTIBASCULEMENT EST BIEN FIXÉE AU PLANCHER, ET GLISSER LA CUISINIÈRE VERS L'ARRIÈRE POUR QUE LE PIED ARRIÈRE DE LA CUISINIÈRE SOIT SOUS LA BRIDE ANTIBASCULEMENT.
- **AVERTISSEMENT :** NE JAMAIS utiliser cet appareil comme dispositif de chauffage de la pièce. Le non-respect de cette instruction peut entraîner une intoxication au monoxyde de carbone et une surchauffe du four.
- **AVERTISSEMENT :** NE JAMAIS couvrir les fentes, trous ou passages d'air au fond du four ou couvrir entièrement une grille avec des matériaux tels que du papier d'aluminium. Le non-respect de cette instruction empêche la circulation de l'air dans le four et peut entraîner une intoxication au monoxyde de carbone. Les feuilles de papier d'aluminium peuvent également retenir la chaleur et créer un risque d'incendie.
- **MISE EN GARDE :** Ne pas remiser dans des armoires au-dessus de la cuisinière ou sur le dossier d'une cuisinière, des objets que des enfants pourraient vouloir atteindre. Les enfants pourraient blesser gravement en grimant sur la cuisinière.

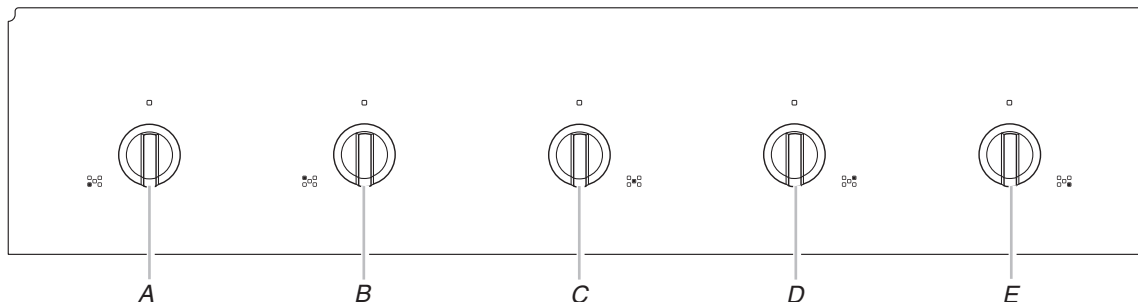
- Installation appropriée – La cuisinière, lorsqu'elle est correctement installée, doit être reliée à la terre conformément aux codes électriques locaux ou en l'absence de codes locaux, selon le *Code électrique national (US) ANSI/NFPA 70* ou le *Code canadien des installations*. S'assurer que la cuisinière est correctement installée et reliée à la terre par un technicien qualifié.
- Cette cuisinière est munie d'une fiche de liaison à la terre à trois broches pour votre protection contre les risques de choc électrique et doit être branchée directement dans une prise de courant bien reliée à la terre. Ne pas couper ni enlever la broche de liaison à la terre de cette fiche.
- Déconnecter la source de courant électrique avant l'entretien.
- Des blessures peuvent survenir d'un mauvais usage des portes ou des tiroirs de l'appareil tel que se tenir debout sur la surface, se pencher ou s'asseoir sur les portes ou tiroirs.
- Entretien – Garder l'espace autour de la cuisinière dégagé et libre de matériaux combustibles, d'essence et d'autres vapeurs et liquides inflammables.
- Remisage dans ou sur la cuisinière – Des produits inflammables ne devraient pas être remisés dans un four ou près des éléments de surface.
- La taille de la flamme des brûleurs de surface devrait être ajustée de sorte qu'elle ne dépasse pas le bord de l'ustensile de cuisson.

Cuisinière autonettoyante –

- Avant l'autonettoyage du four – Ôter la lèchefrite et son plat et les autres ustensiles. Essuyer tous les renversements excessifs avant de mettre en marche le programme d'autonettoyage.

CONSERVEZ CES INSTRUCTIONS

UTILISATION DE LA TABLE DE CUISSON



A. Bouton de commande avant gauche
B. Bouton de commande arrière gauche

C. Brûleur central (sur certains modèles)

D. Bouton de commande arrière droit
E. Bouton de commande avant droit

Commandes de la table de cuisson

AVERTISSEMENT



Risque d'incendie

La flamme d'un brûleur ne devrait pas dépasser le bord du récipient de cuisson.

Fermer tous les réglages lorsque la cuisson est terminée.

Le non-respect de ces instructions peut causer un décès ou un incendie.

IMPORTANT : Cette cuisinière a été configurée à l'usine pour l'alimentation au gaz naturel. Si vous souhaitez utiliser du gaz propane, une trousse de conversion au gaz propane est fournie avec la cuisinière. Voir la section "Conversions pour changement de gaz" des Instructions d'installation pour des détails sur la réalisation de cette conversion.

Des allumeurs électriques allument automatiquement les brûleurs de surface lorsque les boutons de commande sont tournés à LIGHT (allumage).

Les grands brûleurs (16 000, 15 000 et 12 500 Btu/h [unités thermiques britanniques]) fournissent le réglage de chaleur le plus élevé et sont idéals pour faire cuire de grandes quantités d'aliments ou de liquides, en utilisant de grandes marmites et casseroles. Les petits brûleurs (9 200 et 5 000 Btu/h) permettent un contrôle plus précis du mijotage au réglage le plus bas et sont idéals pour la cuisson de plus petites quantités d'aliments, en utilisant des marmites et casseroles plus petites.

Avant de régler un bouton de commande, placer l'ustensile de cuisson rempli sur la grille. Ne pas faire fonctionner un brûleur avec un ustensile de cuisson vide ou sans ustensile de cuisson sur la grille.

REMARQUE : Vérifier visuellement que le brûleur est allumé. Si le brûleur ne s'allume pas, guetter un déclic. Si aucun déclic ne se fait entendre, éteindre le brûleur. Vérifier si le disjoncteur s'est déclenché ou si un fusible est grillé.

Vérifier que le bouton de commande est complètement enfoncé sur la tige de la soupape. Si l'allumeur ne fonctionne toujours pas, appeler un technicien de réparation qualifié.

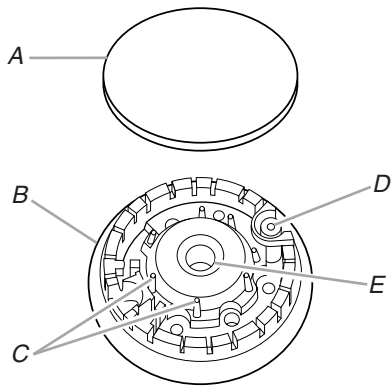
Réglage :

1. Pousser et tourner le bouton dans le sens antihoraire à LIGHT (allumage).
Tous les brûleurs de surface émettront un déclic. Seul le brûleur dont le bouton est tourné à LIGHT (allumage) produira une flamme.
2. Tourner le bouton n'importe où entre HI et LO. Utiliser le tableau suivant comme guide lors du réglage des niveaux de chaleur.

RÉGLAGE	UTILISATION RECOMMANDÉE
LIGHT (allumage)	■ Allumage du brûleur.
HI (élevé)	■ Démarrer la cuisson des aliments. ■ Porter un liquide à ébullition.
MED (moyen)	■ Maintenir une ébullition rapide. ■ Brunir ou saisir rapidement les aliments. ■ Faire frire ou sauter les aliments. ■ Faire cuire les soupes et les sauces. ■ Faire mijoter ou étuver les aliments.
LO (faible)	■ Garder les aliments au chaud. ■ Faire mijoter à feu doux.

N'oubliez pas : Quand l'appareil est utilisé ou (sur certains modèles) durant le programme d'autonettoyage, toute la surface de la table de cuisson peut devenir chaude.

Brûleurs de surface scellés

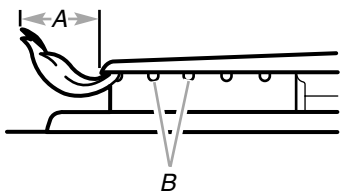


- A. Chapeau de brûleur
- B. Base du brûleur
- C. Tiges d'alignement
- D. Allumeur
- E. Ouverture du tube d'arrivée de gaz

IMPORTANT : Ne pas entraver le débit de gaz de combustion et de l'air de ventilation autour des bords des grilles de brûleur.

Chapeau de brûleur : Toujours garder le chapeau du brûleur en place lorsqu'un brûleur de surface est utilisé. Un chapeau de brûleur propre empêche un mauvais allumage et une flamme inégale. Toujours nettoyer le chapeau de brûleur après un renversement, enlever et nettoyer régulièrement les chapeaux conformément à la section "Nettoyage général".

Ouverture du tube d'arrivée de gaz : Pour que le brûleur s'allume convenablement, il faut que le gaz puisse passer librement à travers l'ouverture du tube d'arrivée de gaz. Il est essentiel de garder cette zone exempte de saletés et de veiller à ce que les renversements, aliments, agents de nettoyage ou autre matériau ne puissent pénétrer dans l'ouverture du tube d'arrivée de gaz. Protéger le tube d'arrivée de gaz contre les renversements en utilisant toujours un chapeau de brûleur.



- A. 1 à 1½" (25 à 38 mm)
- B. Orifices de brûleur

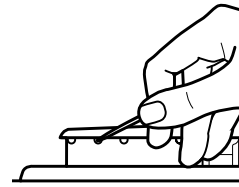
Orifices de brûleur : Examiner occasionnellement les flammes des brûleurs pour en vérifier la taille et la forme tel qu'indiqué ci-dessus. Une bonne flamme est bleue, pas jaune. Il est essentiel de garder cette zone exempte de saletés et de veiller à ce que les renversements, aliments, agents de nettoyage ou autre matériau ne puissent pénétrer dans les orifices de brûleur.

Nettoyage :

IMPORTANT : Avant de faire le nettoyage, s'assurer que toutes les commandes sont éteintes et que le four et la table de cuisson sont froids. Ne pas utiliser de nettoyeurs à four, eau de Javel ou décapants à rouille.

1. Enlever le chapeau de brûleur de la base du brûleur et nettoyer conformément à la section "Nettoyage général".

2. Nettoyer l'ouverture du tube d'arrivée de gaz avec un linge humide.
3. Nettoyer les orifices de brûleur obstrués avec une épingle droite tel qu'indiqué. Ne pas agrandir ni déformer les orifices. Ne pas utiliser un cure-dent en bois. Si le brûleur a besoin d'être ajusté, faire venir un technicien de réparation qualifié.



4. Réinstaller le chapeau de brûleur et s'assurer que les tiges d'alignement sont bien alignées avec le chapeau de brûleur.

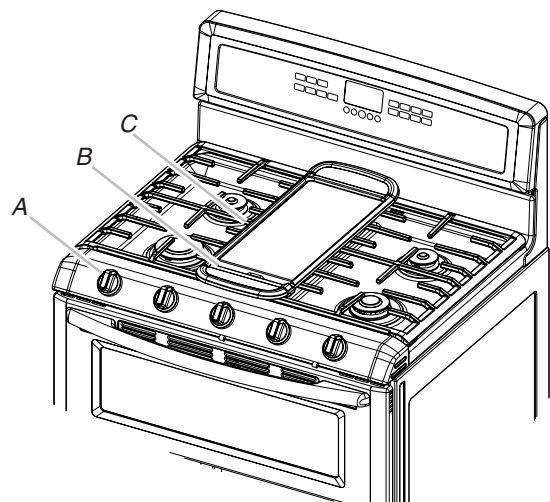


- A. Incorrect
- B. Correct

5. Allumer le brûleur. Si le brûleur ne s'allume pas, vérifier l'alignement du chapeau. Si le brûleur ne s'allume toujours pas, ne pas faire vous-même la réparation du brûleur scellé. Contacter un technicien de réparation qualifié.

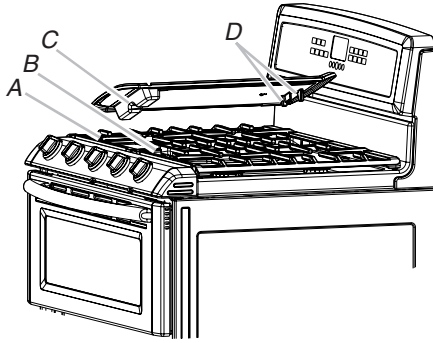
Plaque à frire accessoire (sur certains modèles)

1. Éteindre les brûleurs de la table de cuisson et laisser les grilles refroidir.
2. Placer la plaque à frire sur la grille centrale avec le piège à graisse orienté vers les commandes de la table de cuisson.



- A. Commandes de la table de cuisson
- B. Piège à graisse
- C. Centre de la grille

3. Les onglets de positionnement au bas de la plaque à frire, à l'extrémité du piège à graisse, doivent être placés sur les doigts de la grille situés le plus près du module de commande électronique.



- A. Doigts de la grille situés le plus près des commandes
 B. Support central de la grille
 C. Encoche
 D. Onglets de repère

4. L'encoche à l'arrière de la plaque à frire doit se placer au-dessus du support central de la grille.

REMARQUE : Lorsque la grille est correctement installée, le bas de la grille repose bien en place juste au-dessus de la surface supérieure de la grille.

IMPORTANT : Ne pas laisser la plaque à frire reposer sur les commandes.

Utilisation :

IMPORTANT : Afin d'éviter d'endommager la plaque à frire, elle doit être utilisée uniquement sur le brûleur central et à feu doux à moyen.

- La plaque à frire doit être utilisée pour la cuisson directe des aliments. Afin d'éviter d'endommager le revêtement de la plaque à frire, ne pas utiliser de plats ou d'ustensiles métalliques sur la plaque à frire.
- Afin d'éviter d'endommager le revêtement anti-adhésif, ne pas utiliser d'aérosol de cuisson antiadhésif.

Préparation de conserves à la maison

Lors de la préparation de conserves pendant de longues périodes, alterner l'utilisation des brûleurs de surface entre les quantités préparées. Cette alternance permet aux dernières surfaces utilisées de refroidir.

- Centrer l'autoclave sur la grille.
- Ne pas placer l'autoclave sur deux brûleurs de surface à la fois.
- Pour plus de renseignements, communiquez avec votre service local d'agriculture. Les compagnies qui fabriquent des produits pour la préparation de conserves peuvent aussi offrir de l'aide.

Ustensiles de cuisson

IMPORTANT : Ne pas laisser un ustensile de cuisson vide sur la surface d'une table de cuisson, d'un élément ou d'un brûleur de surface chauds.

Les ustensiles de cuisson idéals doivent avoir un fond plat, des parois droites, un couvercle qui ferme bien et le matériau doit être d'épaisseur moyenne à forte.

Les surfaces rêches peuvent érafler la table de cuisson ou les grilles. L'aluminium et le cuivre peuvent être employés comme fond ou base dans un ustensile de cuisson. Cependant, utilisés comme base, ils peuvent laisser des marques permanentes sur les grilles.

Le matériau d'un ustensile de cuisson affecte la rapidité et l'uniformité de la transmission de la chaleur, ce qui affecte les résultats de cuisson. Un fini antiadhésif a les mêmes caractéristiques que son matériau de base. Par exemple, un ustensile de cuisson en aluminium avec un fini antiadhésif aura les propriétés de l'aluminium.

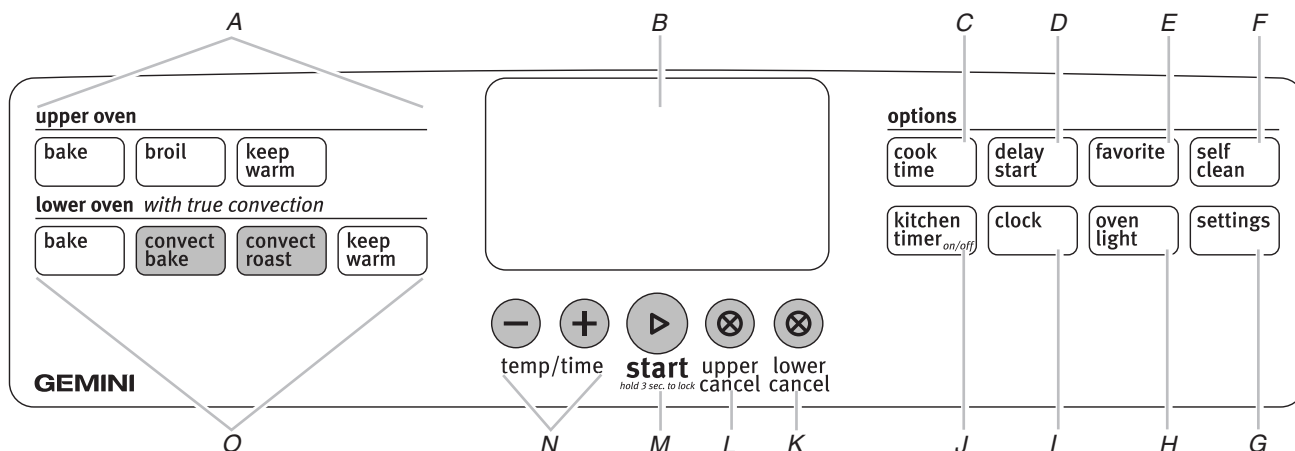
Les ustensiles de cuisson avec surface antiadhésive ne doivent pas être utilisés sous l'élément de cuisson au grill.

Utiliser le tableau suivant comme guide pour les caractéristiques du matériau de l'ustensile de cuisson.

USTENSILE	CARACTÉRISTIQUES
Aluminium	<ul style="list-style-type: none"> ■ Chauffe rapidement et uniformément. ■ Convient à tous les genres de cuisson. ■ L'épaisseur moyenne ou forte convient le mieux pour la plupart des tâches de cuisson.
Fonte	<ul style="list-style-type: none"> ■ Chauffe lentement et uniformément. ■ Convient pour le brunissage et la friture. ■ Maintient la chaleur pour une cuisson lente.
Céramique ou vitrocéramique	<ul style="list-style-type: none"> ■ Suivre les instructions du fabricant. ■ Chauffe lentement mais inégalement. ■ Les meilleurs résultats sont obtenus sur les réglages de chaleur basse à moyenne.
Cuivre	<ul style="list-style-type: none"> ■ Chauffe très rapidement et de façon uniforme.
Terre cuite	<ul style="list-style-type: none"> ■ Suivre les instructions du fabricant. ■ Utiliser des réglages de température basse.
Acier émaillé (porcelaine) ou fonte émaillée	<ul style="list-style-type: none"> ■ Voir acier inoxydable ou fonte.
Acier inoxydable	<ul style="list-style-type: none"> ■ Chauffe rapidement, mais inégalement. ■ Un fond ou une base d'aluminium ou de cuivre sur l'acier inoxydable procure un chauffage uniforme.

COMMANDES ÉLECTRONIQUES DU FOUR

Ce manuel couvre différents modèles. La cuisinière que vous avez achetée peut comporter l'ensemble des articles énumérés ou seulement certains d'entre eux. Les emplacements et aspects des articles illustrés ici peuvent ne pas correspondre à ceux de votre modèle.



A. Réglages du four supérieur
 B. Afficheur du four
 C. Durée de cuisson
 D. Mise en marche différée
 E. Réglage favori

F. Autonettoyage
 G. Réglages
 H. Lampe du four
 I. Horloge
 J. Minuterie de cuisine marche/arrêt

K. Annulation four inférieur
 L. Annulation four supérieur
 M. Mise en marche
 N. Touches "vers le haut" et "vers le bas" de Temp/time (température/durée)
 O. Réglages du four inférieur

Écran

Lors de la mise sous tension initiale de la cuisinière, si une panne de courant se produit, "12:00" apparaît sur l'affichage. Voir "Horloge" dans la section "Réglages" pour régler l'heure.

Lorsque le four n'est pas en marche, l'afficheur indique l'heure.

Annulation

Les touches Cancel (annulation) arrêtent toutes les fonctions à l'exception de l'horloge, de la minuterie, du verrouillage des commandes.

Lampes du four

Alors que les portes des fours sont fermées, appuyer sur OVEN LIGHT (lampe du four) pour allumer ou éteindre les lampes. Les deux lampes du four s'allument à l'ouverture de l'une des portes. Les lampes de four ne s'allument pas durant le programme d'autonettoyage.

Minuterie de cuisine

La minuterie de cuisine peut être réglée en heures ou en minutes jusqu'à concurrence de 9 heures et 59 minutes, et procède à un compte à rebours de la durée réglée. La minuterie de cuisine ne met pas en marche le four et ne l'éteint pas.

Réglage :

- Appuyer sur KITCHEN TIMER (minuterie de cuisine). "Rég MINUTERIE" défile dans la zone d'affichage texte supérieure et l'horloge affiche "--:--"; les deux points clignotent.
- Appuyer sur les touches "+" ou "-" de Temp/Time (température/durée) jusqu'à ce que l'heure souhaitée soit atteinte. "Appuyez TIMER" défile dans la zone d'affichage texte supérieure.
- Appuyer sur KITCHEN TIMER (minuterie de cuisine) pour démarrer la minuterie. Les deux points cessent de clignoter et le compte à rebours commence. "MINUTERIE DÉM" défile dans la zone d'affichage texte supérieure. La dernière minute du compte à rebours de la minuterie s'affiche en secondes. Lorsque la durée réglée est écoulée, un long bip sonore retentit et "MINUTERIE fin" s'affiche.
- Appuyer sur KITCHEN TIMER (minuterie de cuisine) pour effacer l'affichage. **REMARQUE :** Un bip sonore de rappel retentit jusqu'à ce qu'on annule la minuterie de cuisine.

Annulation :

Appuyer sur KITCHEN TIMER (minuterie de cuisine).

Réglages

Fahrenheit et Celsius

La température est pré-réglée à l'usine pour un affichage en degrés Fahrenheit, mais on peut le permuter en degrés Celsius.

1. Appuyer une fois sur SETTINGS (réglages).
"UNITÉ DE TEMP" apparaît dans la zone de texte supérieure, tandis que "FAHRENHEIT. Appuyez sur (+) pour les Celsius" défile deux fois de droite à gauche dans la zone de texte inférieure.
2. Appuyer sur la touche "+" de Temp/Time (température/durée) pour modifier le réglage d'unités de température.
"CELSIUS. Appuyez sur (+) pour les Fahrenheit" défile deux fois de droite à gauche dans la zone de texte inférieure.
3. "CELSIUS sélectionnés" défile deux fois de droite à gauche dans la zone de texte inférieure. Les unités de température ont été modifiées.

Signaux sonores

Les signaux sonores indiquent ce qui suit :

Fonctions basiques

Un seul signal sonore

- Appui sur une touche valide
- Minuterie de cuisine écoulée (long signal sonore)
- Fonction entrée
- Four préchauffé

Trois signaux sonores

- Appui sur une touche non valide

Quatre signaux sonores

- Fin de programme

Ajustement de son marche ou arrêt

Le son du four est pré-réglé à l'usine sur Marche mais peut être modifié et réglé à Arrêt.

1. Appuyer deux fois sur SETTINGS (réglages) jusqu'à ce que "SON" apparaisse dans la zone de texte supérieure; "ON. Appuyez sur (+) pour le bouton OFF" défile deux fois de droite à gauche dans la zone de texte inférieure.
2. Appuyer sur la touche "+" de Temp/Time (température/durée) pour désactiver le son. "OFF. Appuyez sur (+) pour MARCHE" défile deux fois de droite à gauche dans la zone de texte inférieure.
3. "OFF sélect" défile deux fois de droite à gauche dans la zone de texte inférieure. Le son est désormais désactivé.

Ajuster le volume sonore

Le volume sonore du four est pré-réglé à l'usine sur Élevé mais peut être modifié et réglé à Faible.

1. Appuyer 3 fois sur SETTINGS (réglages) jusqu'à ce que "VOLUME SON" apparaisse dans la zone de texte; "ÉLEVÉ. Appuyez sur (+) pour FAIBLE" défile deux fois de droite à gauche dans la zone de texte inférieure.
2. Appuyer sur la touche "+" de Temp/Time (température/durée) pour placer le volume sonore à Faible. "FAIBLE. Appuyez sur (+) pour ÉLEVÉ" défile deux fois de droite à gauche dans la zone de texte inférieure.
3. "Bas sélect" défile deux fois de droite à gauche dans la zone de texte inférieure. Le volume sonore est désormais modifié.

Réglage du signal de fin - Marche ou arrêt

Le signal de fin est pré-réglé à l'usine sur Marche mais peut être modifié et réglé à Arrêt.

1. Appuyer quatre fois sur SETTINGS (réglages) jusqu'à ce que "ALARME FIN" apparaisse dans la zone de texte supérieure; "ON. Appuyez sur (+) pour le bouton OFF" défile deux fois de droite à gauche dans la zone de texte inférieure.
2. Appuyer sur la touche "+" de Temp/Time (température/durée) pour désactiver le signal de fin. "OFF. Appuyez sur (+) pour MARCHE" défile deux fois dans la zone de texte inférieure.
3. "OFF sélect" défile deux fois de droite à gauche dans la zone de texte inférieure. Le signal de fin est désormais désactivé.

Réglage du son de pression sur les touches - Marche ou arrêt

Le son de pression sur les touches est pré-réglé à l'usine sur Marche mais peut être modifié et réglé à Arrêt.

1. Appuyer cinq fois sur SETTINGS (réglages) jusqu'à ce que "TOUCHES SON" apparaisse dans la zone de texte supérieure; "ON. Appuyez sur (+) pour le bouton OFF" défile deux fois de droite à gauche dans la zone de texte inférieure.
2. Appuyer sur la touche "+" de Temp/Time (température/durée) pour désactiver le son de pression sur les touches. "OFF. Appuyez sur (+) pour MARCHE" défile deux fois dans la zone de texte inférieure.
3. "OFF sélect" défile deux fois de droite à gauche dans la zone de texte inférieure. Le signal de pression sur les touches est désormais désactivé.

Réglage du signal de rappel - Marche ou arrêt

Le signal de rappel est pré-réglé à l'usine sur Marche mais peut être modifié et réglé à Arrêt.

1. Appuyer six fois sur SETTINGS (réglages) jusqu'à ce que "ALARME RAPP" apparaisse dans la zone de texte supérieure; "ON. Appuyez sur (+) pour le bouton OFF" défile deux fois de droite à gauche dans la zone de texte inférieure.
2. Appuyer sur la touche "+" de Temp/Time (température/durée) pour désactiver le signal de rappel. "OFF. Appuyez sur (+) pour MARCHE" défile deux fois dans la zone de texte inférieure.
3. "OFF sélect" défile deux fois de droite à gauche dans la zone de texte inférieure. Le signal de rappel est désormais désactivé.

Horloge

L'horloge peut être réglée pour afficher l'heure selon un format de 12 heures ou de 24 heures. L'horloge est pré-réglée à l'usine sur un format de 12 heures.

Pour faire passer l'horloge au format de 24 heures :

1. Appuyer sept fois sur SETTINGS (réglages) jusqu'à ce que "12/24 HEURES" apparaisse dans la zone de texte supérieure; "12 H. Appuyez sur (+) pour 24 H" apparaît dans la zone de texte inférieure.
2. Appuyer sur la touche "+" de Temp/Time (température/durée) pour sélectionner 24 heures et appuyer de nouveau sur la touche "+" de Temp/Time (température/durée) pour sélectionner 12 heures.
3. Attendre 30 secondes ou appuyer sur CANCEL (annulation) pour accepter le réglage.

Réglage de l'horloge :

Avant de procéder au réglage, s'assurer que le four et la minuterie de cuisine sont désactivés.

1. Appuyer sur CLOCK (horloge). "Durée rég" apparaît dans la zone de texte supérieure.
2. Appuyer sur les touches "+" ou "-" de Temp/Time (température/durée) jusqu'à ce que l'heure souhaitée s'affiche.
3. "Appuyez CLOCK" apparaît dans la zone de texte supérieure et "ou START" apparaît dans la zone de texte inférieure.
4. Appuyer sur CLOCK (horloge) ou START (mise en marche). "Durée rég" apparaît dans la zone de texte supérieure. Une fois qu'elle a disparu, la durée est réglée.

Mode Sabbat

Le mode Sabbat est utilisé pour configurer le système du four de façon à ce que certaines caractéristiques et certains modes soient désactivés ou supprimés. En activant le mode Sabbat, le four se conforme aux critères du Sabbat juif Star-K.

Le four est pré-réglé à l'usine avec le mode Sabbat désactivé.

Activation du mode Sabbat (une seule fois) :

1. Appuyer huit fois sur SETTINGS (réglages) jusqu'à ce que "SABBAT" apparaisse dans la zone de texte supérieure.
2. Appuyer sur la touche "+" de Temp/Time (température/durée) pour activer le mode Sabbat.
3. "ON sélect" défile deux fois dans la zone de texte. Le four est désormais programmé de façon à pouvoir fonctionner au mode Sabbat. Pour régler le mode Sabbat, voir la section "Arrêt automatique/Mode Sabbat".

Arrêt automatique au bout de 12 heures

La commande du four est réglée pour s'éteindre automatiquement 12 heures après l'allumage du four. Ceci ne perturbera aucune fonction de cuisson minutée ou différée.

Pour annuler l'arrêt automatique au bout de 12 heures :

1. Appuyer neuf fois sur SETTINGS (réglages) jusqu'à ce que "12hr ARR_AUTO" apparaisse dans la zone de texte supérieure; "ON. Appuyez sur (+) pour le bouton OFF" défile deux fois de droite à gauche dans la zone de texte inférieure.
2. Appuyer sur la touche "+" de Temp/Time (température/durée) pour désactiver la caractéristique d'arrêt automatique au bout de 12 heures. "OFF. Appuyez sur (+) pour MARCHE" défile deux fois de droite à gauche dans la zone de texte inférieure.
3. "OFF sélect" défile deux fois de droite à gauche dans la zone de texte inférieure. La caractéristique a été désactivée.

Langue

La langue est pré-réglée à l'usine à l'anglais, mais elle peut être changée vers le français.

Pour changer la langue vers le français :

1. Appuyer dix fois sur SETTINGS (réglages) jusqu'à ce que "LANGUE" apparaisse dans la zone de texte supérieure; "ANGLAIS. Appuyez sur (+) pour Français" défile deux fois de droite à gauche dans la zone de texte inférieure.
2. Appuyer sur la touche "+" de Temp/Time (température/durée) pour sélectionner Français. "FRANÇAIS. Appuyez sur (+) pour l'anglais" défile en français deux fois de droite à gauche dans la zone de texte inférieure.
3. "FRANÇAIS sélect" défile en français deux fois de droite à gauche dans la zone de texte inférieure.
4. La langue affichée est désormais le français.

Commande de la température du four

Le four fournit des températures précises; toutefois, il peut cuire plus rapidement ou plus lentement que votre four précédent, c'est pourquoi le calibrage de la température peut être ajusté. Il peut être changé en degrés Fahrenheit ou Celsius.

Le réglage de température s'applique au four supérieur ou inférieur.

Un signe moins signifie que le four sera plus froid du nombre de degrés affiché. L'absence de signe moins signifie que le four sera plus chaud du nombre de degrés affiché. Utiliser le tableau suivant comme guide.

AJUSTEMENT EN °F (AJUSTEMENT EN °C)	CUIT LES ALIMENTS
10°F (6°C)	...un peu plus
20°F (12°C)	...modérément plus
30°F (17°C)	...beaucoup plus
-10°F (-6°C)	...un peu moins
-20°F (-12°C)	...modérément moins
-30°F (-17°C)	...beaucoup moins

Ajustement du calibrage de la température du four :

1. Appuyer 11 fois sur SETTINGS (réglages) jusqu'à ce que "CALIB TEMP" apparaisse dans la zone de texte supérieure; "CALIB SUP. Appuyez sur (+) pour calibrage inf. ou appuyez sur START" défile deux fois de droite à gauche dans la zone de texte inférieure.
2. Appuyer sur START (mise en marche) pour calibrer le four supérieur. "Calibrage SUP. sélect." défile deux fois de droite à gauche dans la zone de texte inférieure. "Calibrage SUP." apparaît dans la zone de texte supérieure tandis que "Appuyez sur (+) ou (-) pour régler l'écart" défile deux fois de droite à gauche dans la zone de texte inférieure.

OU

Appuyer sur "+" pour calibrer le four inférieur. "CALIBRAGE INFÉRIEUR sélect" défile deux fois dans la zone de texte inférieure. "Calibrage INF." apparaît dans la zone de texte supérieure tandis que "Appuyez sur (+) ou (-) pour régler l'écart" défile deux fois dans la zone de texte inférieure.

3. Appuyer sur la touche "+" de Temp/Time (température/durée) pour augmenter ou diminuer la température par tranches de 5°F (3°C). L'ajustement peut être réglé entre 30°F (17°C) et -30°F (-17°C).
4. Appuyer sur START pour régler l'ajustement et quitter le menu de calibrage de la température.

Control Lockout (verrouillage des commandes)

Le module de commande peut être verrouillé pour éviter l'utilisation involontaire du four.

Le module de commande ne peut pas être verrouillé lorsque le four est utilisé, ou lorsque la température du four est de 400°F (205°C) ou plus.

L'heure reste affichée lorsque le module de commande est verrouillé.

Verrouillage des commandes :

- Appuyer sur START (mise en marche) pendant 3 secondes ou jusqu'à ce que "COMMANDE VERR" apparaisse sur l'affichage. "Commande verr" défile pendant que le module de commande se verrouille, puis "VERROUILLE" s'affiche. "VERROUILLE" reste affiché.

Pour déverrouiller les commandes :

Appuyer sur START (mise en marche) pendant 3 secondes ou jusqu'à ce que "Appuyez sans relâcher sur START" défile sur l'affichage.

"DÉVERROUILL" apparaît sur l'affichage pendant que le module de commande se déverrouille. L'heure apparaît et reste affichée.

UTILISATION DU FOUR

Des odeurs et de la fumée sont normales lorsque le four est utilisé les premières fois, ou lorsqu'il est très sale.

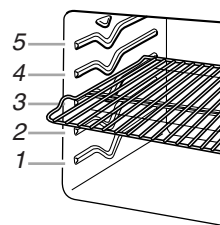
Le préchauffage est recommandé pour la cuisson de la plupart des aliments. Les aliments doivent être placés dans le four lorsque le signal sonore de préchauffage retentit. Certains modes utilisent un système de fonctionnement intermittent élaboré pour une performance idéale. Si l'on augmente la température du four une fois le préchauffage effectué, s'assurer que le four est préchauffé à la nouvelle température désirée avant de placer les aliments dans le four. Si l'on place les aliments dans le four durant le préchauffage, ils pourraient être trop cuits.

IMPORTANT : La santé de certains oiseaux est très sensible aux émanations de fumée. L'exposition aux émanations peut entraîner la mort de certains oiseaux. Toujours déplacer les oiseaux dans une autre pièce fermée et bien aérée.

- Placer les aliments de façon à ce qu'ils ne touchent pas le brûleur de cuisson au gril en augmentant de volume. Laisser un espace d'au moins ½" (1,3 cm) entre les plats et le brûleur de cuisson au gril.

Pour retirer les grilles de four :

Grilles plates : Tirer la grille jusqu'à la butée d'arrêt, soulever le rebord avant et la tirer pour l'extraire.



Papier d'aluminium

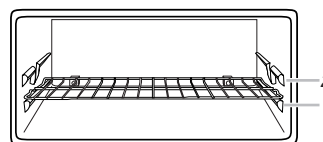
IMPORTANT : Ne pas garnir le fond du four avec tout type de papier d'aluminium, garnitures ou ustensiles de cuisson car le fini du fond du four subira des dommages permanents.

- Ne pas recouvrir la totalité de la grille avec une feuille d'aluminium; l'air doit pouvoir circuler librement pour les meilleurs résultats de cuisson.
- Pour récupérer les résidus de renversement, placer une feuille de papier d'aluminium sur la grille sur laquelle le mets est placé. Veiller à ce qu'elle dépasse d'environ ½" (1,3 cm) tout autour du plat et à ce que les bords soient relevés.

Pour replacer les grilles de four :

Placer la grille sur le support de grille dans le four. Incliner légèrement le bord avant et faire de nouveau glisser la grille vers l'arrière jusqu'à ce qu'elle arrive à la butée d'arrêt. Abaisser l'avant et la pousser de nouveau dans le four.

Positions de grille - Four supérieur



Positionnement des grilles et des ustensiles de cuisson au four

IMPORTANT : Afin d'éviter des dommages permanents au fini en porcelaine, ne pas placer d'aliments ou d'ustensiles de cuisson directement sur la porte ou sur le fond du four.

Grilles

- Placer les grilles avant d'allumer le four.
- Ne pas installer les grilles lorsque des ustensiles de cuisson se trouvent dessus.
- S'assurer que les grilles sont d'aplomb.
- Le four supérieur est équipé d'une grille plate.
- Le four inférieur est équipé de 2 grilles plates.

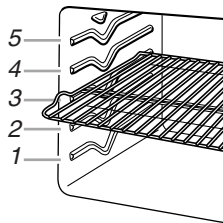
Cuisson au four

ALIMENT	POSITION DE LA GRILLE
Plats de grande taille, plats surgelés, gâteaux éponge, biscuits	1
Biscuits, pizzas	2

Cuisson au gril

ALIMENT	POSITION DE LA GRILLE
Cuisson au gril	1

Positions de grille - Four inférieur



Cuisson traditionnelle

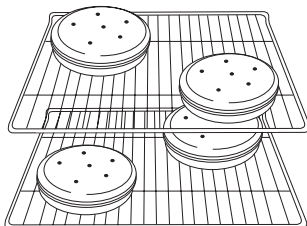
ALIMENT	POSITION DE LA GRILLE
Gros rôtis, dindes, gâteaux des anges, gâteaux Bundt et couronnes, pains éclairs, tartes	1 ou 2
Pains à la levure, mets en sauce, viande, volaille et cuisson au four sur 2 grilles	2
Biscuits, muffins et gâteaux Cuisson au four sur 1 grille	2 ou 3
Cuisson au four sur 2 grilles	3 et 5, ou 2 et 4, ou 2 et 5

Cuisson sur plusieurs grilles

Cuisson sur 2 grilles : Utiliser les positions de grille 2 et 4 ou 2 et 5 ou 3 et 5.

Cuisson au four des gâteaux à étages, sur 2 grilles

Pour des résultats optimaux lors de cuisson au four de gâteaux sur 2 grilles, utiliser les positions de grille 2 et 4. Placer les gâteaux sur les grilles tel qu'illustré.



Si le four a été converti pour une utilisation avec du gaz propane, utiliser les positions de grille 3 et 5. Placer les gâteaux sur les grilles tel qu'indiqué.

Cuisson par convection (sur certains modèles)

FONCTION	NOMBRE DE GRILLES UTILISÉES	POSITION(S) DE LA GRILLE
Cuisson au four ou rôtissage par convection	1	1, 2 ou 3
Cuisson au four par convection	2	2 et 4

USTENSILES DE CUISSON

L'air chaud doit pouvoir circuler autour de l'aliment pour le cuire uniformément. Laisser 2" (5,0 cm) entre les ustensiles de cuisson et les parois du four. Utiliser le tableau suivant comme guide.

NOMBRE D'USTENSILES	POSITION SUR LA GRILLE
1	Centre de la grille.

NOMBRE D'USTENSILES	POSITION SUR LA GRILLE
2	Côte à côte ou légèrement décalés.
3 ou 4	Dans les coins opposés sur chaque grille. S'assurer qu'aucun ustensile de cuisson ne se trouve directement au-dessus d'un autre. Voir "Cuisson au four des gâteaux à étages sur 2 grilles" dans la section "Utilisation du four".

Ustensiles de cuisson au four

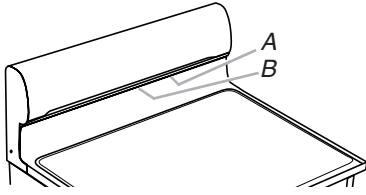
Le matériau des ustensiles de cuisson au four affecte les résultats de cuisson. Suivre les recommandations du fabricant et utiliser le format d'ustensiles recommandé dans la recette. Se servir du tableau suivant comme guide.

USTENSILES DE CUISSON AU FOUR/ RÉSULTATS	RECOMMANDATIONS
Aluminium légèrement coloré <ul style="list-style-type: none"> ■ Croûtes dorées, légères ■ Brunissage uniforme 	<ul style="list-style-type: none"> ■ Utiliser la température et la durée recommandées dans la recette.
Aluminium foncé et autres ustensiles de cuisson au four avec fini foncé, terne et/ou antiadhésif <ul style="list-style-type: none"> ■ Croûtes brunes, croustillantes 	<ul style="list-style-type: none"> ■ Peut nécessiter de réduire légèrement les températures de cuisson. ■ Utiliser la durée de cuisson suggérée. ■ Pour les tartes, pains et mets en sauce, utiliser la température recommandée dans la recette. ■ Placer la grille au centre du four.
Tôles à biscuits ou moules à cuisson à isolation thermique <ul style="list-style-type: none"> ■ Brunissage faible ou non existant à la base 	<ul style="list-style-type: none"> ■ Placer à la troisième position au bas du four. ■ Peut nécessiter d'augmenter le temps de cuisson.
Acier inoxydable <ul style="list-style-type: none"> ■ Croûtes dorées, légères ■ Brunissage inégal 	<ul style="list-style-type: none"> ■ Peut nécessiter d'augmenter le temps de cuisson.
Plats en grès/Pierre de cuisson <ul style="list-style-type: none"> ■ Croûtes croustillantes 	<ul style="list-style-type: none"> ■ Suivre les instructions du fabricant.
Plats en verre, vitrocéramique ou céramique allant au four <ul style="list-style-type: none"> ■ Croûtes brunes, croustillantes 	<ul style="list-style-type: none"> ■ Peut nécessiter de réduire légèrement la température de cuisson.

Thermomètre à viande

Sur les modèles sans sonde thermométrique, se servir d'un thermomètre à viande pour vérifier si la viande, la volaille et le poisson ont atteint le degré de cuisson désiré. C'est la température interne qui indique le degré de cuisson et non l'apparence. Il n'y a pas de thermomètre à viande fourni avec cet appareil. Suivre les instructions du fabricant pour l'emploi d'un thermomètre à viande.

Événements du four



A. Événement du four inférieur
B. Événement du four supérieur

Les événements du four permettent l'évacuation de l'air chaud et de l'humidité des fours et ne doivent pas être obstrués ou couverts. Le fait d'obstruer ou de couvrir les événements entraîne une mauvaise circulation de l'air et affecte les résultats de cuisson et de nettoyage. Ne pas placer près des événements du four des produits en plastique, en papier ou d'autres articles qui pourraient fondre ou brûler.

Cuisson au four

Avant la cuisson au four, placer les grilles tel qu'indiqué à la section "Positionnement des grilles et des ustensiles de cuisson au four".

- Si l'on n'utilise qu'un seul four, ce four préchauffe plus vite.
- Laisser au moins ½" (1,3 cm) entre le plat de cuisson au four ou la casserole et le brûleur supérieur du four supérieur. Les moules à pain, à gâteaux des anges ou à gâteau bundt ne sont pas recommandés dans le four supérieur.
- Lors du préchauffage à l'aide d'une pierre de cuisson/à pizza dans le four supérieur, ne pas régler le four au-delà de 400°F (205°C). Pour utiliser des pierres de cuisson/à pizza à des températures dépassant 400°F (205°C) dans le four supérieur, placer la pierre une fois que le bip de préchauffage a retenti.

Cuisson au four :

1. Appuyer sur la touche BAKE (cuisson au four) correspondant au four désiré.
"CUISSON AU FOUR" défile dans la zone de texte supérieure ou inférieure (selon le four sélectionné) et 350°F (175°C) s'affiche.
Après 3 secondes, "Rég temp ou" défilera dans la zone de texte du four sélectionné, suivi de "Appuyez START".
2. Appuyer sur les touches "+" ou "-" de Temp/Time (température/durée) jusqu'à ce que la température souhaitée s'affiche.
REMARQUE : La température peut être modifiée à tout moment en appuyant sur les touches "+" ou "-" de Temp/Time (température/durée) jusqu'à ce que la température souhaitée s'affiche, puis appuyer sur START (mise en marche). Si l'on modifie la température une fois que les aliments sont placés dans le four, la performance du four pourrait être affectée.
3. (Facultatif) Si une durée de cuisson réglée est désirée, appuyer sur COOK TIME (durée de cuisson). Appuyer sur les touches "+" ou "-" de Temp/Time (température/durée) pour ajuster la durée de cuisson par tranches d'une (1) minute jusqu'à ce que la durée souhaitée s'affiche.
"Appuyez START" défile dans la zone de texte du four sélectionné.

4. Appuyer sur START (mise en marche).

Si l'on utilise le four supérieur, "Préchauffage" apparaît dans la zone de texte du four supérieur. Si l'on utilise le four inférieur et en fonction de la sélection de l'utilisateur, "Préchauffage rapide sur une seule grille. Appuyez sur START pour préchauffer le four pour une cuisson sur plusieurs grilles." apparaît. Si l'on n'effectue aucun changement, "Préchauffage pour une cuisson sur une seule grille" apparaît sur l'affichage.

Si l'on souhaite une cuisson au four sur plusieurs grilles, on doit appuyer sur le bouton "START" (mise en marche) et "Préchauffage standard pour une cuisson sur plusieurs grilles. Appuyez sur START pour préchauffer le four pour une cuisson sur une seule grille." apparaît sur l'affichage suivi de "Préchauffage pour une cuisson sur plusieurs grilles."

"Préchauffage rapide sur une seule grille" défile dans la zone de texte du four sélectionné. "Préchauffage" reste affiché dans la zone de texte jusqu'à ce que la température réglée soit atteinte. Une fois le programme de préchauffage terminé, "Préchauffage terminé insérer les aliments pour une cuisson au four sur une seule grille" défile deux fois dans la zone de texte du four sélectionné.

5. Une fois le programme de préchauffage terminé, insérer les aliments. "Placez la nourriture pour une cuisson sur une seule grille" ou "Placez la nourriture pour une cuisson sur plusieurs grilles" apparaît dans la zone de texte du four sélectionné.
"Cuisson au four" défile dans la zone de texte du four sélectionné jusqu'à ce que l'on appuie sur le bouton CANCEL (annulation) correspondant au four sélectionné.
6. Placer les aliments dans le four une fois que le signal sonore de préchauffage retentit.
7. Appuyer sur UPPER ou LOWER CANCEL (annulation four supérieur ou inférieur) après avoir terminé.
8. Retirer les aliments du four.

Cuisson au gril

La cuisson au gril utilise la chaleur radiante directe pour cuire les aliments. Plus la température est basse, plus la cuisson est lente. Les morceaux épais et de forme irrégulière de viande, de poisson et de volaille cuisent mieux à des températures de cuisson au gril plus basses.

- Pour de meilleurs résultats, utiliser une lèchefrite et une grille. Elles sont conçues pour laisser s'écouler les jus et éviter les éclaboussures et la fumée.
Il est possible de commander une lèchefrite. Voir la section "Assistance ou service" pour commander.
- Pour un écoulement approprié, ne pas couvrir la grille de papier d'aluminium. Le fond de la lèchefrite peut être garni de papier d'aluminium pour en faciliter le nettoyage.
- Enlever l'excès de gras pour réduire les éclaboussures. Entailler le gras résiduel sur les côtés pour éviter que la viande se recroqueville.
- La caractéristique de cuisson au gril n'est disponible que dans le four supérieur.
- Sélectionner la cuisson au gril HI/550°F (288°C) pour la plupart des cuisson au gril. Sélectionner LO/450°F (232°C) pour la cuisson au gril à basse température d'aliments mettant plus de temps à cuire tels la volaille, afin d'éviter une surcuisson.

- Sortir la grille jusqu'à la butée d'arrêt avant de tourner ou d'enlever les aliments. Utiliser une pince pour tourner les aliments et éviter la perte de jus. Il est possible qu'il ne soit pas nécessaire de tourner les coupes très minces de poisson, de volaille ou de viande.
- Après la cuisson au grill, sortir la lèchefrite du four en même temps que l'aliment. Ce qui reste au fond de la lèchefrite cuira si on la laisse dans le four encore chaud, rendant le nettoyage plus difficile.

Avant la cuisson au grill, placer la grille tel qu'indiqué dans le tableau de cuisson au grill. Préchauffer le four pendant 5 minutes, placer les aliments sur la grille de la lèchefrite, puis placer celle-ci au centre de la grille du four. Fermer la porte.

Pour une cuisson au grill à l'aide des réglages de température Hi/Low (élevé/bas) :

1. Appuyer sur BROIL (cuisson au grill).
"CUIS. AU GRIL" apparaît dans la zone de texte supérieure, et HI s'affiche.
Après 3 secondes, "Rég temp ou" défile dans la zone de texte du four sélectionné, suivi de "Appuyez START".
2. Appuyer sur les touches "+" ou "-" de Temp/Time (température/durée) pour régler la température de cuisson au grill sur HI (élevée) ou LO (faible).
3. Appuyer sur START (mise en marche).
"Cuis. au grill" défile dans la zone de texte supérieure et y reste jusqu'à ce que la température réglée soit atteinte.
"CUIS. AU GRIL" défile ensuite dans la zone de texte supérieure jusqu'à ce que l'on appuie sur UPPER CANCEL (annulation four supérieur).
4. Préchauffer le four pendant 5 minutes puis placer les aliments dans le four.
5. Appuyer sur UPPER CANCEL (annulation four supérieur) après avoir terminé.
6. Retirer les aliments du four.

TABLEAU DE CUISSON AU GRIL

Les durées de cuisson au grill sont basées sur un préchauffage de 5 minutes. Les durées de cuisson sont citées à titre indicatif seulement; on peut les régler en fonction des goûts personnels. Retourner la viande à mi-cuisson. Les positions recommandées de la grille sont indiquées de la base (1) jusqu'en haut (5). Pour le schéma, voir la section "Positionnement des grilles et ustensiles de cuisson au four".

ALIMENT	POSITION DE LA GRILLE	RÉGLAGE	DURÉE DE CUISSON DU FOUR SUPÉRIEUR (en minutes)
Bifteck 1" (2,5 cm) d'épaisseur à point	1	HI	12-16
Galettes de viande hachée 4 oz (113 g), 3/4" (2 cm) d'épaisseur jusqu'à 12, bien cuites	1	HI	15-20
	1	HI	12-16
Côtelettes de porc 1" (2,5 cm) d'épaisseur, bien cuites	1	HI	20-25
Poulet morceaux de poitrine non désossés avec peau bien cuits	1	LO	30-40
Poisson* Filets, floconneux	1	LO	6-7
Darnes, 1" (2,5 cm) d'épaisseur, floconneux	1	LO	10-14

*Lors de la cuisson au grill du poisson, vaporiser le plat de cuisson au grill avec de l'huile de cuisson. Ne pas tourner les filets de poisson.

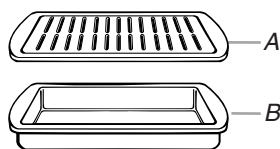
Cuisson par convection - Four inférieur uniquement

(sur certains modèles)

Lors de la cuisson par convection, le ventilateur permet une circulation accrue et uniforme de l'air chaud dans le four. Le déplacement de l'air chaud autour des aliments aide à accélérer la cuisson par la pénétration des surfaces extérieures froides.

- Il est important de ne pas couvrir les aliments de sorte que la surface demeure exposée au déplacement de l'air, permettant ainsi le brunissage et la consistance croustillante.
- Maintenir la perte de chaleur au minimum en ouvrant la porte du four seulement lorsque c'est nécessaire.
- Choisir des tôles à biscuits sans bords et des plats de rôtissage à côtés plus bas pour permettre à l'air de circuler librement autour de l'aliment.
- Vérifier la cuisson des aliments quelques minutes avant le temps de cuisson minimum, avec un cure-dents par exemple.
- Utiliser un thermomètre à viande pour déterminer le degré de cuisson des viandes et de la volaille. Vérifier la température du porc et de la volaille à 2 ou 3 endroits différents, y compris la partie la plus épaisse.
- Avant la cuisson par convection, placer la ou les grille(s) tel qu'indiqué à la section "Positionnement des grilles et des ustensiles de cuisson".
- En cas d'utilisation de plusieurs grilles, positionner l'ustensile de cuisson sur les grilles de façon à permettre le déplacement de l'air que fait circuler le ventilateur autour des aliments. Voir la section "Positionnement des grilles et ustensiles de cuisson au four".
- Si le four est plein, il faudra peut-être allonger la durée de cuisson.
- Pour des résultats de cuisson optimaux, ne pas recouvrir les aliments.
- Pour le rôtissage de la volaille et de la viande, utiliser une lèchefrite et une grille. Il n'est pas nécessaire d'attendre le préchauffage du four, sauf si la recette le recommande.

Pour commander une lèchefrite, voir la section "Assistance ou service".



A. Grille de la lèchefrite
B. Plat de rôtissage

Cuisson au four par convection (sur certains modèles)

Utiliser la fonction Convection Bake (cuisson au four par convection) pour la cuisson au four sur une ou plusieurs grilles. Lors de la cuisson au four par convection, réduire la température de cuisson au four de la recette de 25°F (15°C).

Réglage de la cuisson au four par convection :

1. Appuyer sur CONVECT BAKE (cuisson au four par convection).
"CUISSON CONV" défile dans la zone de texte inférieure, et 325°F (163°C) s'affiche.
"Rég temp ou" défile dans la zone de texte du four inférieur, suivi de "Appuyez START".

2. Appuyer sur les touches "+" ou "-" de Temp/Time (température/durée) jusqu'à ce que la température souhaitée s'affiche.
3. Appuyer sur START (mise en marche) pour commencer le préchauffage du four.
"CUISSON CONV" défile dans la zone de texte du four inférieur et "Préchauffage rapide sur une seule grille". Appuyez sur START pour préchauffer le four pour une cuisson sur plusieurs grilles" défile dans la zone de texte du four inférieur jusqu'à ce que la température réglée soit atteinte.
REMARQUE : Si l'on utilise le four supérieur, le four inférieur passe à l'option de cuisson standard de préchauffage/ plusieurs grilles.
4. "Placez la nourriture pour une cuisson sur une seule grille" défile deux fois dans la zone de texte inférieure une fois que la température de préchauffage sur une grille est atteinte.
5. Lorsque ceci est demandé sur l'affichage, appuyer sur START si l'on souhaite une cuisson au four sur plusieurs grilles. Si l'on sélectionne une cuisson au four sur plusieurs grilles, "Préchauffage standard pour une cuisson sur plusieurs grilles. Appuyez sur Start pour préchauffer le four pour une cuisson sur une seule grille" apparaît sur l'affichage suivi de "Préchauffage pour une cuisson sur plusieurs grilles." "Placez nourri" apparaît une fois la température de four réglée atteinte.
6. Lorsque le programme de préchauffage est terminé, "CUISSON CONV" défile dans la zone de texte du four inférieur jusqu'à ce que l'on appuie sur LOWER CANCEL (annulation four inférieur).
7. Placer les aliments dans le four.
Pour modifier la température du four pendant la cuisson, appuyer sur les touches "+" ou "-" de Temp/Time (température/durée) jusqu'à ce que la température souhaitée s'affiche, puis appuyer sur START (mise en marche).
8. Appuyer sur LOWER CANCEL (annulation four inférieur) après avoir terminé.
9. Retirer les aliments du four.

Rôtissage par convection (sur certains modèles)

Pour le rôtissage par convection, entrer la température de rôtissage normale. La durée de rôtissage doit être de 15 à 30 % inférieure à la durée d'une cuisson conventionnelle.

Il n'est pas nécessaire de préchauffer le four pour le rôtissage par convection.

1. Placer les aliments dans le four.
2. Appuyer sur CONVECT ROAST (rôtissage par convection).
"RÔTISS À CONV" défile dans la zone de texte inférieure, et 350°F (176°C) s'affiche.
"Rég temp ou" défile dans la zone de texte du four inférieur, suivi de "Appuyez START".
3. Appuyer sur les touches "+" ou "-" de Temp/Time (température/durée) jusqu'à ce que la température souhaitée s'affiche.
4. Appuyer sur START (mise en marche).
"RÔTISS À CONV" défile dans la zone de texte du four inférieur.
"Préchauffage" défile dans la zone de texte du four inférieur jusqu'à ce que la température réglée soit atteinte.

5. Une fois le programme de préchauffage terminé, "RÔTISS À CONV" défile dans la zone de texte inférieure. La température réglée est également affichée.
6. Pour modifier la température du four pendant la cuisson, appuyer sur les touches "+" ou "-" de Temp/Time (température/durée) jusqu'à ce que la température souhaitée s'affiche, puis appuyer sur START (mise en marche). "RÔTISS À CONV" reste affiché dans la zone de texte inférieure jusqu'à ce qu'on appuie sur LOWER CANCEL.
7. Appuyer sur LOWER CANCEL (annulation four inférieur) après avoir terminé.
8. Retirer les aliments du four.

Caractéristique Keep Warm™

AVERTISSEMENT

Risque d'empoisonnement alimentaire

Ne pas laisser des aliments dans un four plus d'une heure avant ou après la cuisson.

Le non-respect de cette instruction peut causer un empoisonnement alimentaire ou une maladie.

IMPORTANT : Les aliments doivent être à la température de service avant de les placer dans le four chaud. Les aliments peuvent être gardés au four jusqu'à une heure; toutefois, les pains et les mets en sauce peuvent devenir trop secs s'ils sont laissés dans le four durant la fonction Keep Warm™. Pour de meilleurs résultats, couvrir les aliments.

La caractéristique Keep Warm™ permet de garder les aliments cuits chauds à une température de service.

Utilisation :

1. Appuyer sur la touche KEEP WARM (garder au chaud) pour le four désiré.
"MAINT CHAUD" défile dans la zone de texte supérieure ou inférieure (selon le four sélectionné) et 170°F (77°C) s'affiche.
"Rég temp ou" défile dans la zone de texte du four sélectionné, suivi de "Appuyez START".
2. Appuyer sur les touches "+" ou "-" de Temp/Time (température/durée) pour ajuster la température par tranches de 5°F (3°C) jusqu'à ce que la température souhaitée s'affiche.
La température peut être réglée entre 145°F (63°C) et 190°F (85°C).
REMARQUE : La température peut être modifiée à tout moment en appuyant sur les touches "+" ou "-" de Temp/Time (température/durée) jusqu'à ce que la température souhaitée s'affiche, puis appuyer sur START (mise en marche).
3. Appuyer sur START (mise en marche).
"Maint chaud" apparaît dans la zone de texte du four sélectionné, et la température réglée s'affiche.
4. "MAINT CHAUD" ainsi que la température s'affichent tandis que le réglage Garder au chaud est actif ou si l'on appuie sur le bouton CANCEL (annulation) correspondant au four sélectionné.
5. Placer les aliments dans le four.

6. Appuyer sur CANCEL (annulation) pour le four sélectionné une fois terminé.
7. Retirer les aliments du four.

Pour annuler la caractéristique Keep Warm™ :

Appuyer sur le bouton CANCEL (annulation) correspondant au four utilisé. Retirer les aliments du four.

Arrêt automatique/Mode Sabbat

Le module de commande du four est réglé pour éteindre le four automatiquement 12 heures après l'allumage du four. Cette caractéristique peut être désactivée en utilisant le mode Sabbat.

- Le mode d'arrêt au bout de 12 heures est désactivé durant un mode Sabbat actif.
- Tous les sons et toutes les sonneries sont désactivés durant un mode Sabbat actif.
- Tous les modes de cuisson et de nettoyage, excepté le mode Cuisson au four, sont désactivés.
- Toutes les touches sont désactivées durant un mode Sabbat actif, sauf Cancel (annulation), Start (mise en marche), Kitchen Timer (minuterie de cuisine), Warming Center On et Off (centre de maintien au chaud marche et arrêt), ainsi que les touches "+" et "-" de Temp/Time (température/durée).
- Le statut des lampes du four reste le même que celui qu'elles présentaient avant d'entrer au mode Sabbat.
- Une fois au mode Sabbat actif, la lampe du four ne répond pas à la touche Oven Light (lampe du four), ni à l'ouverture de la porte.
- Les minuteries sont désactivées durant le mode Sabbat actif.
- Les brûleurs de la table de cuisson peuvent être activés pour être utilisés durant un mode Sabbat.
- Le verrouillage de la table de cuisson (si applicable) est désactivé durant le mode Sabbat.
- La cuisson au four doit se faire à l'aide d'une grille dans le four supérieur ou inférieur.

Activation du mode Sabbat (une seule fois) :

Le mode Sabbat doit être activé grâce au menu SETTINGS (réglages) ou en suivant les instructions ci-dessous.

1. Ouvrir la porte du four inférieur.
2. Appuyer sur LOWER CANCEL (annulation four inférieur).
3. Appuyer sur la touche "+" de Temp/Time (température/durée) pendant 5 secondes. "Sabbat dém" apparaît dans la zone de texte supérieure et "Appuyez sur START pour entrer" défile dans la zone de texte inférieure.
4. Appuyer sur START (mise en marche) pour confirmer la sélection.
"Mode Sabbat - Pendant les fêtes appuyez sur (+) pour ajuster la température de +25F ou sur (-) pour l'ajuster de -25F et Appuyez START" défile dans la zone de texte supérieure.

Le mode Sabbat est désormais activé mais pas encore actif.

5. Fermer la porte du four.

REMARQUE : Avant de pouvoir activer le mode Sabbat, on doit démarrer une fonction de cuisson au four sur l'un des fours ou sur les deux fours. La fonction de cuisson au four peut être réglée avec Cook Time (durée de cuisson) ou Delay Start (mise en marche différée), si désiré. Voir la section "Cuisson au four" ou "Mise en marche différée" pour plus de renseignements.

Désactivation du mode Sabbat :

1. Ouvrir la porte du four inférieur.
2. Appuyer sur LOWER CANCEL (annulation four inférieur).
3. Appuyer sur la touche “+” de Temp/Time (température/durée) pendant 5 secondes ou jusqu'à ce que “Sabbath arr” apparaisse dans la zone de texte supérieure.
4. Fermer la porte du four.

Activation d'un mode Sabbat activé :

Le mode Sabbat peut être activé à tout moment durant un mode Sabbat activé.

1. Lorsqu'une fonction minutée ou non minutée de cuisson au four est entamée (voir la section “Cuisson au four” pour de l'aide sur comment démarrer la cuisson au four), appuyer sur KITCHEN TIMER (minuterie de cuisine) pendant 5 secondes. “Cuis-sabbat” apparaît dans la zone de texte supérieure pendant 3 secondes.

Pour une fonction de cuisson au four minutée, la durée s'affiche également.

L'affichage fait défiler “Mode Sabbat - pendant les fêtes appuyez sur (+) pour ajuster la température de +25F et sur (-) pour l'ajuster de -25F puis appuyez sur Start” en continu.

Réglage de la température (lorsque le mode Sabbat fonctionne sur seulement un four) :

1. Appuyer sur la touche “+” ou “-” de Temp/Time (température/durée). À chaque pression sur cette touche, la température augmente ou diminue de 25°F (14°C). Aucune température n'apparaît sur l'affichage.
2. Appuyer sur START (mise en marche) pendant plus d'une (1) seconde pour régler le changement de température.

Réglage de la température (lorsque le mode Sabbat fonctionne sur les deux fours) :

1. Appuyer sur la touche BAKE (cuisson au four) pour le four désiré.
2. Appuyer sur la touche “+” ou “-” de Temp/Time (température/durée). À chaque pression sur cette touche, la température augmente ou diminue de 25°F (14°C). Aucune température n'apparaît sur l'affichage.
3. Appuyer sur START (mise en marche) pendant plus d'une (1) seconde pour régler le changement de température.

Désactivation d'un mode Sabbat activé :

Le mode Sabbat peut être désactivé à tout moment durant un mode Sabbat activé.

1. Appuyer sur KITCHEN TIMER (minuterie de cuisine) pendant 5 secondes pour revenir à la cuisson au four normale ou appuyer sur CANCEL (annulation) pour éteindre le(s) four(s).

Si une panne de courant se produit durant le mode Sabbat

Si une panne de courant se produit au cours du mode Sabbat, la zone de texte supérieure affiche “Sabbat”. Appuyer sur UPPER ou LOWER CANCEL (annulation du four supérieur ou inférieur) pour quitter le mode Sabbat et revenir au mode d'arrêt automatique.

Favori

AVERTISSEMENT

Risque d'empoisonnement alimentaire

Ne pas laisser des aliments dans un four plus d'une heure avant ou après la cuisson.

Le non-respect de cette instruction peut causer un empoisonnement alimentaire ou une maladie.

La caractéristique Favori permet de sauvegarder les réglages de durée et de température de n'importe quelle fonction de cuisson active.

Pour sauvegarder une fonction de cuisson comme favori :

1. Appuyer sans relâcher sur FAVORITE jusqu'à ce que “APPUYEZ SUR + POUR FOUR SUPÉRIEUR” apparaisse dans la zone de texte supérieure; et “APPUYEZ SUR (-) POUR FOUR INFÉRIEUR” apparaisse dans la zone de texte inférieure.
2. Appuyer sur les touches “+” ou “-” de Temp/Time (température/durée) pour sélectionner le four en cours d'utilisation.
La fonction de cuisson sélectionnée apparaîtra dans la zone d'affichage texte du four sélectionné pendant 3 secondes.
3. “ENREGISTRÉ” défile dans la zone d'affichage texte du four sélectionné pendant 3 secondes. Si une durée de cuisson est programmée, cela est affiché.
4. La fonction de cuisson est à présent sauvegardée comme favori, et le module de commande poursuit le fonctionnement de la fonction de cuisson sauvegardée.

Pour faire réapparaître et démarrer un favori :

1. Appuyer sur FAVORITE (favori).
Le nom de la fonction de cuisson sauvegardée défile dans la zone d'affichage texte du four à partir duquel elle a été sauvegardée pendant 3 secondes.
“Reg Temp ou” s'affiche, suivi de “Appuyer START”.
2. Appuyer sur START (mise en marche).
Le nom de la fonction de cuisson sauvegardée défile dans la zone d'affichage texte du four à partir duquel elle a été sauvegardée pendant 3 secondes, suivi par le message de préchauffage adéquat.

Les affichages de température et de durée sont actifs et indiquent la température actuelle du four (si elle est inférieure à 170°F, “Lo” s'affiche); ils indiquent également que le compte à rebours s'est écoulé.

La température réglée peut être modifiée en appuyant sur les touches “+” or “-” de Temp/Time (température/durée), puis sur START (mise en marche). De la même manière, la durée de cuisson peut être modifiée en appuyant sur COOK TIME (durée de cuisson), puis sur les touches “+” or “-” de Temp/Time (température/durée) pour régler la durée souhaitée, puis sur START (mise en marche).

Une fois la température atteinte, la température s'affiche, et le nom de la fonction de cuisson sauvegardée défile dans la zone d'affichage texte du four à partir duquel elle a été sauvegardée jusqu'à ce que le compte à rebours de cuisson se soit écoulé.

3. Placer les aliments dans le four.
4. Appuyer sur le bouton CANCEL (annulation) correspondant au four utilisé une fois terminé.
5. Retirer les aliments du four.

Pour annuler un programme favori :

1. Appuyer sur UPPER [annulation four supérieur] ou LOWER CANCEL [annulation four inférieur] sur le four pour lequel la fonction Favori fonctionne).
Le programme Favorite (favori) sauvegardé ne sera pas affecté.
2. Retirer les aliments du four.

Cuisson minutée/à mise en marche différée

⚠ AVERTISSEMENT

Risque d'empoisonnement alimentaire

Ne pas laisser des aliments dans un four plus d'une heure avant ou après la cuisson.

Le non-respect de cette instruction peut causer un empoisonnement alimentaire ou une maladie.

La cuisson minutée permet au(x) four(s) de réaliser une cuisson pendant une durée préréglée. Une cuisson à mise en marche différée permet au(x) four(s) de se mettre en marche à une certaine heure de la journée. La mise en marche différée ne doit pas être utilisée pour les aliments tels que pains et gâteaux car ils risquent de ne pas bien cuire.

La cuisson minutée est disponible sur la plupart des programmes à l'exception de Self-Clean (autonettoyage) et Keep Warm (maintien au chaud).

La cuisson différée peut être utilisée avec les programmes Bake (cuisson au four), Convect Bake (cuisson au four par convection) et Convect Roast (rôtissage par convection).

Réglage d'une durée de cuisson :

1. Appuyer sur le bouton pour obtenir n'importe quelle fonction de cuisson à l'exception de Self-Clean (autonettoyage) ou Keep Warm (maintien au chaud).
Appuyer sur les touches "+" ou "-" de Temp/Time (température/durée) pour entrer une température autre que celle qui est affichée et appuyer sur START (mise en marche).
2. Appuyer sur COOK TIME (durée de cuisson).
3. Appuyer sur les touches "+" ou "-" de TEMP/TIME pour entrer la durée de cuisson.
4. Appuyer sur START (mise en marche).

Le compte à rebours de la durée de cuisson apparaîtra sur l'afficheur.

Lorsque l'heure d'arrêt est atteinte, le four s'arrête automatiquement et les signaux de fin de programme se font entendre.

Réglage d'une durée de cuisson différée :

Avant le réglage, s'assurer que l'horloge est réglée à l'heure exacte. Voir "Horloge" dans la section "Réglages".

1. Appuyer sur le bouton pour obtenir n'importe quelle fonction de cuisson à l'exception de Self-Clean (autonettoyage) ou Keep Warm (maintien au chaud).
Appuyer sur les touches "+" ou "-" de Temp/Time pour entrer une température autre que celle qui est affichée et appuyer sur START (mise en marche).
2. Appuyer sur DELAY START (mise en marche différée).
3. Appuyer sur les touches "+" ou "-" de TEMP/TIME pour entrer la durée de mise en marche différée. L'heure de mise en marche différée correspond à l'heure à laquelle on souhaite que la cuisson commence.
4. Appuyer sur START (mise en marche).
5. Appuyer sur les touches "+" ou "-" de TEMP/TIME pour entrer la durée de cuisson souhaitée.
6. Appuyer sur START (mise en marche).

L'heure de mise en marche est calculée et affichée automatiquement.

Le compte à rebours de la mise en marche différée apparaît sur l'afficheur du four.

Lorsque l'heure de mise en marche est atteinte, le four s'allume automatiquement. Le compte à rebours de la durée de cuisson apparaîtra sur l'afficheur.

La température réglée et le compte à rebours en minutes apparaissent sur l'affichage du four.

Lorsque l'heure d'arrêt est atteinte, le four s'arrête automatiquement et les signaux de fin de programme retentissent.

ENTRETIEN DE LA CUISINIÈRE

Programme d'autonettoyage (sur certains modèles)

AVERTISSEMENT



Risque de brûlures

Ne pas toucher le four au cours du programme d'autonettoyage.

Garder les enfants loin du four au cours du programme d'autonettoyage.

Le non-respect de ces instructions peut causer des brûlures.

IMPORTANT : La santé de certains oiseaux est très sensible aux émanations qui surviennent durant le programme d'autonettoyage. L'exposition aux émanations peut entraîner la mort de certains oiseaux. Toujours déplacer les oiseaux dans une autre pièce fermée et bien aérée.

Procéder à l'autonettoyage du four avant qu'il ne devienne très sale. Les saletés intenses nécessitent un nettoyage plus long et dégagent plus de fumée.

Veiller à ce que la cuisine soit bien aérée pendant le programme d'autonettoyage afin d'aider à éliminer la chaleur, les odeurs et la fumée.

Ne pas obstruer le ou les événements du four durant le programme d'autonettoyage. L'air doit pouvoir circuler librement. Selon votre modèle, voir la section "Événement du four" ou "Événements du four".

Ne pas nettoyer, frotter, endommager ou déplacer le joint d'étanchéité de la porte du four. Le joint de la porte est essentiel pour une bonne étanchéité.

Préparation du four :

- Sortir du four la lèchefrite, la grille, les ustensiles de cuisson au four et, sur certains modèles, la sonde thermométrique.
- Sortir les grilles du four pour les garder brillantes et pour qu'elles glissent facilement. Voir la section "Nettoyage général" pour plus de renseignements.
- Enlever tout papier d'aluminium du four; celui-ci risquerait de brûler ou de fondre et d'endommager le four.
- Nettoyer manuellement le bord intérieur de la porte et une zone de 1½" (3,8 cm) sur le pourtour du cadre de la cavité du four, en prenant soin de ne pas déplacer ni plier le joint d'étanchéité. Cette section ne devient pas assez chaude au cours du programme d'autonettoyage pour pouvoir éliminer la saleté. Ne pas laisser de l'eau, un nettoyant, etc. pénétrer dans les fentes du cadre de la porte. Nettoyer cette zone avec un chiffon humide.
- Essuyer toute saleté décollée afin de réduire la fumée et d'éviter les dommages. À des températures élevées, les aliments réagissent avec la porcelaine. Cette réaction peut causer des taches, des attaques, des piqûres ou de légères taches blanches. Ceci n'affectera pas la performance de cuisson.

Préparation de la table de cuisson :

- Enlever les articles de plastique de la table de cuisson car ils peuvent fondre.

REMARQUE : Les brûleurs de la table de cuisson ne fonctionnent pas durant le programme d'autonettoyage.

IMPORTANT :

La température du four doit être inférieure à 400°F (205°C) pour pouvoir programmer un programme de nettoyage.

On ne peut nettoyer qu'un seul four à la fois.

Les portes des deux fours se verrouillent lorsque l'un des fours est en cours de nettoyage.

Fonctionnement du programme

IMPORTANT : Le chauffage et le refroidissement de la porcelaine sur l'acier dans le four peuvent causer une décoloration, une perte de lustre, des fissures minuscules et des craquements.

Le programme d'autonettoyage utilise des températures très élevées, brûlant les saletés pour les réduire en cendre.

Le four est pré-réglé pour un programme d'autonettoyage de 3 heures, mais la durée peut être modifiée. Les durées de nettoyage suggérées sont de 2 heures pour un niveau de saleté léger et entre 3 et 4 heures pour un niveau de saleté entre moyen et élevé.

Lorsque le four a complètement refroidi, retirer la cendre avec un chiffon humide. Pour éviter de briser le verre, ne pas appliquer de chiffon humide froid sur le verre intérieur de la porte avant que le four n'ait complètement refroidi.

La lampe du four ne fonctionne pas durant le programme d'autonettoyage.

Tant que "VERROUILLE" est affiché, il est impossible d'ouvrir la porte. Pour éviter d'endommager la porte, ne pas forcer l'ouverture de la porte tant que "VERROUILLE" est affiché.

Si l'une des portes de four est laissée ouverte, "Porte ouverte? Net annulé" apparaît sur l'affichage, et un signal sonore retentit. Fermer la porte du four et appuyer sur SELF CLEAN (autonettoyage).

REMARQUE : Le programme d'autonettoyage ne peut être utilisé que par un seul four à la fois, et une durée de 24 heures doit s'écouler avant que l'autonettoyage suivant puisse commencer.

Autonettoyage :

1. Fermer la porte du four.
2. Appuyer sur SELF CLEAN.
"APPUYEZ SUR (+) POUR FOUR SUPÉRIEUR" apparaît dans la zone de texte supérieure et "APPUYEZ SUR (-) POUR FOUR INFÉRIEUR" apparaît dans la zone de texte inférieure.
3. Appuyer sur les touches "+" ou "-" de Temp/Time (température/durée) pour sélectionner le four désiré.
"ÔTEZ GRILLES" défile dans la zone de texte du four sélectionné, suivi de "SÉLECT. OPTION". Dans l'autre zone de texte, "APPUYEZ SUR LA TOUCHE + OU -" défile de gauche à droite.
4. Choisir le réglage de nettoyage standard en appuyant sur les touches "+" ou "-" de Temp/Time (température/durée) jusqu'à ce que "NETTOYAGE MANUEL" et "APPUYEZ SUR START" défile dans les affichages.

5. Appuyer sur START (mise en marche).
“Sélect niveau” apparaît sur l’affichage.
6. Appuyer sur les touches “+” ou “-” de Temp/Time (température/durée) pour ajuster le niveau de nettoyage.
7. Appuyer sur START (mise en marche).
“DÉV. DANS XXX” défile dans la zone de texte supérieure ou inférieure (selon le four sélectionné). “VERROUILLAGE” défile jusqu’à ce que la porte soit verrouillée.

Une fois la porte verrouillée, “NET-FOUR SUP.” ou “NET-FOUR INF.” défile dans la zone de texte sélectionnée jusqu’à ce que le programme de nettoyage soit terminé.

Lorsque le programme d’autonettoyage est terminé :

“NETT TERMINÉ” défile dans la zone de texte du four sélectionné. “REFROID FOUR” défile sur l’affichage jusqu’à ce que la température du four tombe en dessous de 500°F (260°C). “DÉVERROUILLER” s’affiche jusqu’à ce que la porte du four se déverrouille et l’icône de verrouillage s’éteint.

Pour différer l’autonettoyage :

1. Appuyer sur Delay Start (mise en marche différée).
“APPUYEZ SUR (+) POUR FOUR SUPÉRIEUR” apparaît dans la zone de texte supérieure et “APPUYEZ SUR (-) POUR FOUR INFÉRIEUR” apparaît dans la zone de texte inférieure.
2. Appuyer sur les touches “+” ou “-” de Temp/Time (température/durée) pour sélectionner le four désiré.
“--:--” s’affiche, ainsi que “Réglez heure départ. Appuyez START” défile de droite à gauche dans la zone de texte du four sélectionné pendant 2 minutes ou jusqu’à ce que l’on appuie de nouveau sur les touches “+” ou “-” de Temp/Time (température/durée).
3. Appuyer sur les touches “+” ou “-” de Temp/Time (température/durée) jusqu’à ce que l’heure souhaitée soit atteinte.
“Sélectionnez le mode cuisson/nettoyage” défile dans la zone de texte du four sélectionné pendant 2 minutes ou jusqu’à ce que l’on sélectionne un programme de nettoyage.
4. Appuyer sur SELF CLEAN.
“ÔTEZ GRILLES” défile dans la zone de texte du four sélectionné pendant 5 secondes, suivi de “SÉLECT. OPTION”. Dans l’autre zone de texte, “APPUYEZ SUR LA TOUCHE + OU -” défile de gauche à droite.
5. Appuyer sur les touches “+” ou “-” de Temp/Time jusqu’à ce que “Nettoyage manuel” s’affiche.
“Appuyez START” défile dans la zone de texte du four sélectionné.
6. Appuyer sur START (mise en marche). “Sélect niveau” apparaît sur l’affichage.
7. Appuyer sur les touches “+” ou “-” de temp/Time (température/durée) pour sélectionner le niveau de nettoyage désiré.
8. Appuyer sur START (mise en marche).
Le programme de nettoyage commence lorsque l’heure de mise en marche différée est atteinte.
“DÉV. DANS XXX” défile dans la zone de texte supérieure ou inférieure (selon le four sélectionné). Après 5 secondes, “VERROUILLAGE” défile jusqu’à ce que la porte soit verrouillée.

Une fois la porte verrouillée, “NET-FOUR SUP.” ou “NET-FOUR INF.” défile sur les affichages jusqu’à ce que le programme de nettoyage soit terminé.

Lorsque le programme d’autonettoyage est terminé :

“NETT TERMINÉ” défile dans la zone de texte du four sélectionné. “REFROID FOUR” défile sur l’affichage jusqu’à ce que la température du four tombe en dessous de 500°F (260°C). “DÉVERROUILLER” s’affiche jusqu’à ce que la porte du four se déverrouille et l’icône de verrouillage s’éteint.

Nettoyage général

IMPORTANT : Avant le nettoyage, s’assurer que toutes les commandes sont éteintes et que le four et la table de cuisson sont froids. Toujours suivre les instructions figurant sur les étiquettes des produits de nettoyage.

Du savon, de l’eau et un chiffon doux ou une éponge sont recommandés à moins d’indication contraire.

SURFACES EXTERNES EN ÉMAIL VITRIFIÉ

Les renversements d’aliments contenant des produits acides, tels que vinaigre et tomates, doivent être nettoyés dès que la cuisinière a refroidi. Ces renversements peuvent affecter le fini.

Méthode de nettoyage :

- Nettoyant à vitre, nettoyant doux liquide ou tampon à récurer non abrasif : Nettoyer doucement autour de la plaque signalétique des numéros de modèle et de série car le frottement pourrait en effacer les chiffres.
- Nettoyant tout-usage pour appareils ménagers – Pièce n° 31682 (non incluse) :
Voir la section “Assistance ou service” pour commander.

ACIER INOXYDABLE (sur certains modèles)

Afin d’éviter d’endommager les surfaces en acier inoxydable, ne pas utiliser de tampons à récurer savonneux, de nettoyants abrasifs, de crème à polir pour table de cuisson, de tampons en laine d’acier, de chiffons de lavage rêches ou d’essuie-tout abrasifs.

Méthode de nettoyage :

Frotter dans la direction du grain pour éviter les dommages.

- Nettoyant et poli pour acier inoxydable – Pièce n° 31462 (non inclus) : Voir la section “Assistance ou service” pour commander.
- Détergent liquide ou nettoyant tout-usage : Rincer à l’eau propre et sécher avec un chiffon doux sans charpie.

GRILLES ET CHAPEAUX ÉMAILLÉS

Les renversements d’aliments contenant des produits acides, tels que vinaigre et tomates, doivent être nettoyés dès que la table de cuisson, les grilles et les chapeaux ont refroidi. Ces renversements peuvent affecter le fini.

Pour éviter l’écaillage, ne pas entrechoquer les grilles et les chapeaux ni les frapper contre des surfaces dures telles que les ustensiles en fonte.

Ne pas réinstaller les chapeaux sur les brûleurs lorsqu’ils sont mouillés.

Méthode de nettoyage :

- Ustensile de récurage en plastique non abrasif et nettoyant légèrement abrasif :

Nettoyer dès que la table de cuisson, les grilles et les chapeaux ont refroidi.

- Lave-vaisselle (grilles seulement, pas les chapeaux) :
Utiliser le programme le plus intensif. Les saletés cuites doivent être trempées ou frottées avant d'être placées au lave-vaisselle.
- Nettoyant pour grille et plateau d'égouttement – Pièce n° 31617 : Voir la section "Assistance ou service" pour commander.

PLAQUE À FRIRE

Avant d'utiliser la plaque à frire pour la première fois et après chaque utilisation, laver soigneusement avec un détergent doux et de l'eau tiède.

- Afin d'éviter d'endommager le revêtement anti-adhésif, il n'est pas recommandé de laver la plaque à frire au lave-vaisselle.
- Afin d'éviter tout dommage, ne pas utiliser de nettoyants abrasifs ou de tampons à récurer.

COMMANDES DE LA TABLE DE CUISSON

Afin d'éviter d'endommager les commandes de la table de cuisson, ne pas utiliser de laine d'acier, de nettoyants abrasifs ou de nettoyant pour four.

Afin d'éviter tout dommage, ne pas immerger les boutons de commande.

Lors du retrait ou de la réinstallation des boutons, s'assurer que chaque bouton est à la position Off (arrêt).

Ne pas retirer les joints sous les boutons, le cas échéant.

Méthode de nettoyage :

- Eau tiède savonneuse :
Tirer les boutons directement hors du tableau de commande pour les enlever.

TABLEAU DE COMMANDE

Afin d'éviter d'endommager le tableau de commande, ne pas utiliser de nettoyants abrasifs, de tampons en laine d'acier, de chiffons de lavage rêches ou d'essuie-tout abrasifs.

Pour éviter d'activer les commandes lors du nettoyage, on peut activer la caractéristique Verrouillage des commandes (sur certains modèles). Voir la section "Verrouillage des commandes".

Méthode de nettoyage :

- Nettoyant à vitre et chiffon doux ou éponge : Appliquer le nettoyant à vitre sur un chiffon doux ou une éponge, et non pas directement sur le tableau.
- Nettoyant tout-usage pour appareils ménagers – Pièce n° 31682 (non incluse) :
Voir la section "Assistance ou service" pour commander.

EXTÉRIEUR DE LA PORTE DU FOUR

Méthode de nettoyage :

- Nettoyant à vitre et essuie-tout ou tampon à récurer en plastique non abrasif : Appliquer le nettoyant à vitre sur un chiffon doux ou une éponge, et non pas directement sur le tableau.
- Nettoyant tout-usage pour appareils ménagers – Pièce n° 31682 (non incluse) :
Voir la section "Assistance ou service" pour commander.

CAVITÉ DU FOUR

Ne pas utiliser de nettoyants à four.

Les renversements alimentaires doivent être nettoyés lorsque le four a refroidi. À des températures élevées, les aliments réagissent avec la porcelaine et cette réaction peut entraîner la formation de taches, d'un film de silice, de piqûres ou de légères taches blanches.

Méthode de nettoyage :

- Programme d'autonettoyage : Voir d'abord "Programme d'autonettoyage".

GRILLES DU FOUR

Méthode de nettoyage :

- Programme d'autonettoyage : Voir d'abord "Programme d'autonettoyage". Retirer les grilles, sans quoi elles se décolorent et glisseront plus difficilement. Le cas échéant, une légère couche d'huile végétale appliquée sur les glissières facilitera le glissement des grilles.
- Tampon en laine d'acier

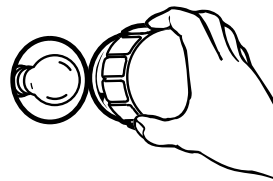
Lampe du four

La lampe du four est une ampoule standard de 40 watts pour appareil ménager.

Avant de procéder au remplacement, s'assurer que le four et la table de cuisson ont refroidi et que les boutons de commande sont éteints.

Remplacement :

1. Débrancher la cuisinière ou déconnecter la source de courant électrique.
2. Tourner dans le sens antihoraire le couvercle en verre de l'ampoule à l'arrière du four et l'enlever.



3. Tourner l'ampoule dans le sens antihoraire et l'enlever de la douille.
4. Remplacer l'ampoule et replacer le couvercle de l'ampoule en le tournant dans le sens horaire.
5. Brancher la cuisinière ou remettre le courant.

Porte du four

IMPORTANT :

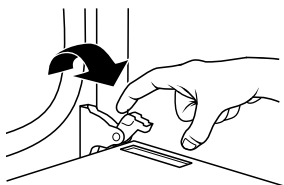
Pour éviter de briser la vitre de la porte du four :

- Ne pas fermer la porte du four si les grilles ne sont pas complètement insérées dans la cavité du four ou lorsque les ustensiles de cuisson dépassent à l'avant d'une grille du four.
- Ne pas entreposer d'objets sur la vitre de la porte du four.
- Ne pas frapper la vitre avec des ustensiles de cuisson ou d'autres objets.
- Ne pas essuyer les vitres avant que le four n'ait complètement refroidi.

Il n'est pas recommandé d'enlever la porte du four pour une utilisation normale. Toutefois, si la dépose est nécessaire, s'assurer que le four est éteint et froid. Puis, suivre ces instructions. La porte du four est lourde.

Dépose :

1. Ouvrir la porte du four complètement.
2. Abaisser le verrou de charnière vers soi de chaque côté.



3. Fermer la porte du four aussi loin qu'elle peut aller.

4. Soulever la porte du four en la retenant de chaque côté.
Continuer de maintenir la porte du four fermée et la dégager du châssis de la porte du four.



Réinstallation :

1. Insérer les deux bras de suspension dans la porte.



2. Ouvrir la porte du four.
Vous devriez entendre un déclic lors de la mise en place de la porte.
3. Remettre les leviers des charnières à la position verrouillée. Vérifier que la porte s'ouvre et se ferme librement. Si ce n'est pas le cas, répéter le processus de dépose et d'installation de la porte.

DÉPANNAGE

Essayer d'abord les solutions suggérées ici afin d'éviter le coût d'une intervention de dépannage inutile.

Rien ne fonctionne

⚠ AVERTISSEMENT



Risque de choc électrique

- Brancher sur une prise à 3 alvéoles reliée à la terre.
- Ne pas enlever la broche de liaison à la terre.
- Ne pas utiliser un adaptateur.
- Ne pas utiliser un câble de rallonge.
- Le non-respect de ces instructions peut causer un décès, un incendie ou un choc électrique.

- **Le cordon d'alimentation électrique est-il débranché?**
Brancher l'appareil sur une prise à 3 alvéoles reliée à la terre.

- **Un fusible du domicile est-il grillé ou un disjoncteur s'est-il ouvert?**
Remplacer le fusible ou réenclencher le disjoncteur. Si le problème persiste, appeler un électricien.
- **Le robinet principal d'arrêt ou de réglage du gaz est-il à la position fermée?**
Voir les instructions d'installation.
- **La cuisinière est-elle bien raccordée à la canalisation de gaz?**
Contacter un technicien de réparation qualifié ou voir les instructions d'installation.

Les brûleurs de surface ne fonctionnent pas

- **Est-ce la première fois que les brûleurs de surface sont utilisés?**
Allumer n'importe quel brûleur de surface pour libérer l'air des canalisations de gaz.
- **Le bouton de commande est-il réglé correctement?**
Pousser sur le bouton avant de le tourner à un réglage.
- **Les orifices des brûleurs sont-ils obstrués?**
Voir la section "Brûleurs de surface scellés".

Les flammes des brûleurs de surface ne sont pas uniformes, sont de teinte jaune et/ou bruyantes

- **Les orifices des brûleurs sont-ils obstrués?**
Voir la section "Brûleurs de surface scellés".
- **Les chapeaux de brûleur sont-ils correctement positionnés?**
Voir la section "Brûleurs de surface scellés".
- **Utilise-t-on du gaz propane?**
La cuisinière a peut-être été mal convertie. Contacter un technicien de réparation ou voir la section "Assistance ou service".

Le brûleur de surface émet des bruits d'éclatement

- **Le brûleur est-il mouillé?**
Le laisser sécher.

Chaleur excessive autour des ustensiles de cuisson sur la table de cuisson

- **L'ustensile de cuisson est-il de dimension appropriée?**
Utiliser un ustensile de cuisson à peu près de la même dimension que la surface de cuisson. L'ustensile de cuisson ne doit pas dépasser de plus de ½" (1,3 cm) hors de la zone de cuisson.

Les résultats de cuisson ne sont pas les résultats prévus

- **Utilise-t-on un ustensile de cuisson approprié?**
Voir la section "Ustensiles de cuisson".
- **Le bouton de commande est-il réglé au niveau approprié de chaleur?**
Voir la section "Commandes de température de la table de cuisson".
- **La cuisinière est-elle d'aplomb?**
Niveler la cuisinière. Voir les Instructions d'installation.

Le four ne fonctionne pas

- **Est-ce la première fois que le four est utilisé?**
Allumer n'importe quel brûleur de surface pour libérer l'air des canalisations de gaz.
- **La commande électronique du four est-elle bien réglée?**
Voir la section "Commande(s) électronique(s) du four".
- **Sur certains modèles, le verrouillage des commandes est-il réglé?**
Voir la section "Verrouillage des commandes".

Les flammes du brûleur du four sont jaunes ou bruyantes.

- **Utilise-t-on du gaz propane?**
La cuisinière a peut-être été mal convertie. Contacter un technicien de réparation ou voir la section "Assistance ou service".

La température du four est trop élevée ou trop basse

- **Le calibrage de la température du four a-t-il besoin d'être ajusté?**
Voir la section "Commande de la température du four".

Des messages s'affichent

- **L'affichage indique-t-il une heure clignotante?**
Une panne de courant est survenue. Effacer l'affichage. Sur certains modèles, régler de nouveau l'horloge au besoin. Voir "Horloge" dans la section "Réglages".
- **L'affichage montre-t-il une lettre suivie d'un chiffre?**
En fonction du modèle, appuyer sur CANCEL (annulation) pour effacer l'affichage. S'il réapparaît, faire un appel de service. Voir la section "Assistance ou service".

Le programme d'autonettoyage ne fonctionne pas

- **La porte du four est-elle ouverte?**
L'afficheur indique "porte". Fermer la porte du four complètement.
- **Une fonction a-t-elle été entrée?**
Voir la section "Programme d'autonettoyage".
- **Sur certains modèles, un programme d'autonettoyage à mise en marche différée a-t-il été réglé?**
Voir la section "Programme d'autonettoyage".
- **Une mise en marche différée a-t-elle été réglée?**
Voir la section "Mise en marche différée".
- **La température du four est-elle supérieure à 400°F (205°C)?**
Laisser le four refroidir avant d'utiliser le programme d'autonettoyage.

Les résultats de cuisson au four ne sont pas les résultats prévus

- **La cuisinière est-elle d'aplomb?**
Niveler la cuisinière. Voir les Instructions d'installation.
- **La température correcte est-elle réglée?**
Contre-vérifier la recette dans un livre de recettes fiable.
- **La température correcte du four est-elle réglée?**
Voir la section "Commande de la température du four".
- **Le four a-t-il été préchauffé?**
Voir la section "Cuisson au four".
- **Utilise-t-on un ustensile de cuisson au four approprié?**
Voir la section "Ustensiles de cuisson au four".
- **Les grilles sont-elles en bonne position?**
Voir la section "Positionnement des grilles et ustensiles de cuisson au four".
- **Existe-t-il une circulation d'air appropriée autour des ustensiles de cuisson?**
Voir la section "Positionnement des grilles et ustensiles de cuisson".
- **La pâte est-elle distribuée également dans le plat?**
Vérifier que la pâte est répartie uniformément dans le plat.
- **Utilise-t-on une durée de cuisson appropriée?**
Ajuster la durée de cuisson.
- **La porte a-t-elle été ouverte pendant la cuisson?**
L'ouverture de la porte pour vérifier la cuisson laisse la chaleur du four s'échapper et peut nécessiter des durées de cuisson plus longues.
- **Les articles cuits au four sont-ils trop bruns à la base?**
Déplacer la grille à une position plus élevée dans le four.
- **Les bords des croûtes de tarte ont-ils bruni trop tôt?**
Utiliser du papier d'aluminium pour couvrir le bord de la croûte et/ou réduire la température de cuisson au four.

ASSISTANCE OU SERVICE

Avant de faire un appel pour assistance ou service, consulter la section "Dépannage". Ce guide peut vous faire économiser le coût d'une visite de service. Si vous avez encore besoin d'aide, suivre les instructions ci-dessous.

Lors d'un appel, veuillez connaître la date d'achat, le numéro de modèle et le numéro de série au complet de l'appareil. Ces renseignements nous aideront à mieux répondre à votre demande.

Si vous avez besoin de pièces de rechange

Si vous avez besoin de commander des pièces de rechange, nous vous recommandons d'employer uniquement des pièces spécifiées par l'usine. Les pièces spécifiées par l'usine conviendront et fonctionneront bien parce qu'elles sont fabriquées avec la même précision que celles utilisées dans la fabrication de chaque nouvel appareil MAYTAG®.

Pour localiser des pièces spécifiées par l'usine dans votre région, composer le numéro de téléphone d'assistance à la clientèle suivant ou appeler le centre de service désigné le plus proche.

Au Canada

Veuillez appeler sans frais le Centre pour l'eXpérience de la clientèle de Whirlpool Canada LP au : **1-800-807-6777**.

Nos consultants vous renseigneront sur les sujets suivants :

- Caractéristiques et spécifications sur toute notre gamme d'appareils électroménagers.
- Procédés d'utilisation et d'entretien.
- Vente d'accessoires et de pièces de rechange.
- Références aux marchands locaux, aux distributeurs de pièces de rechange et aux compagnies de service. Les techniciens de service désignés par Maytag® sont formés pour remplir la garantie des produits et fournir un service après la garantie, partout au Canada.

Pour plus d'assistance

Si vous avez besoin de plus d'assistance, vous pouvez soumettre par écrit toute question ou préoccupation à Whirlpool Canada LP à l'adresse suivante :

Whirlpool Canada LP
Customer eXperience Centre
200 - 6750 Century Ave
Mississauga, Ontario L5N 0B7

Veuillez inclure dans votre correspondance un numéro de téléphone où l'on peut vous joindre dans la journée.

Accessoires

Nettoyant et poli pour acier inoxydable

(modèles en acier inoxydable)

Commander la pièce n° 31462B

Nettoyant tout-usage pour appareils ménagers

Commander la pièce n° 31682B

Lèchefrite et grille

Commander la pièce numéro n° 4396923

GARANTIE LIMITÉE DE CUISINIÈRE À GAZ MAYTAG®

GARANTIE LIMITÉE DURANT LA PREMIÈRE ANNÉE (PIÈCES ET MAIN-D'ŒUVRE)

Pendant un an à compter de la date d'achat, lorsque ce gros appareil ménager est installé, utilisé et entretenu conformément aux instructions jointes au produit ou fournies avec, la marque Maytag de Whirlpool Corporation ou Whirlpool Canada, LP (ci-après désignées "Maytag") paiera pour les pièces de rechange spécifiées par l'usine et pour la main-d'œuvre pour corriger les vices de matériaux ou de fabrication qui existaient déjà lorsque ce gros appareil ménager a été acheté.

GARANTIE LIMITÉE DE LA DEUXIÈME À LA DIXIÈME ANNÉE (CERTAINS COMPOSANTS UNIQUEMENT - MAIN-D'ŒUVRE NON COMPRISE)

De la deuxième à la dixième année inclusivement à compter de la date d'achat initiale, lorsque ce gros appareil ménager est installé, utilisé et entretenu conformément aux instructions jointes au produit ou fournies avec, Maytag paiera pour les pièces de rechange spécifiées par l'usine concernant les composants suivants pour corriger les défauts non esthétiques de matériau ou de fabrication de ladite pièce qui empêchent la cuisinière de fonctionner et qui étaient déjà présents lorsque ce gros appareil ménager a été acheté. La présente garantie est une garantie limitée de 10 ans sur les pièces énumérées ci-dessous et elle ne comprend pas la main-d'œuvre.

- Grilles de brûleur
- Brûleurs à gaz de surface
- Brûleurs de cuisson au four/au gril (hormis élément de convection)

LE SEUL ET EXCLUSIF RECOURS DU CLIENT DANS LE CADRE DE LA PRÉSENTE GARANTIE LIMITÉE CONSISTE EN LA RÉPARATION PRÉVUE PAR LA PRÉSENTE. Le service doit être fourni par une compagnie de service désignée par Maytag. Cette garantie limitée est valide uniquement aux États-Unis ou au Canada et s'applique exclusivement lorsque le gros appareil ménager est utilisé dans le pays où il a été acheté. La présente garantie limitée est valable à compter de la date d'achat initial par le consommateur. Une preuve de la date d'achat d'origine est exigée pour obtenir un service dans le cadre de la présente garantie limitée.

ARTICLES EXCLUS DE LA GARANTIE

La présente garantie limitée ne couvre pas :

1. Les visites de service pour rectifier l'installation du gros appareil ménager, montrer à l'utilisateur comment utiliser l'appareil, remplacer ou réparer des fusibles ou rectifier le câblage ou la plomberie du domicile.
2. Les visites de service pour réparer ou remplacer les ampoules électriques de l'appareil, les filtres à air ou les filtres à eau. Les pièces consommables ne sont pas couvertes par la garantie.
3. Les réparations lorsque le gros appareil ménager est utilisé à des fins autres que l'usage unifamilial normal ou lorsque les instructions d'installation et/ou les instructions de l'opérateur ou de l'utilisateur fournies ne sont pas respectées.
4. Les dommages imputables à : accident, modification, usage impropre ou abusif, incendie, inondation, actes de Dieu, installation fautive ou installation non conforme aux codes d'électricité ou de plomberie, ou l'utilisation de pièces consommables ou de produits nettoyants non approuvés par Maytag.
5. Les défauts apparents, notamment les éraflures, les bosses, fissures ou tout autre dommage au fini du gros appareil ménager, à moins que ces dommages soient dus à des vices de matériaux ou de fabrication et soient signalés à Maytag dans les 30 jours suivant la date d'achat.
6. Toute perte d'aliments due à une défaillance du réfrigérateur ou du congélateur.
7. Les coûts associés au transport du gros appareil ménager du domicile pour réparation. Ce gros appareil ménager est conçu pour être réparé à domicile et seul le service à domicile est couvert par la présente garantie.
8. Les réparations aux pièces ou systèmes résultant d'une modification non autorisée faite à l'appareil.
9. Les frais de transport pour le service d'un produit si votre gros appareil est situé dans une région éloignée où un service d'entretien Maytag autorisé n'est pas disponible.
10. La dépose et la réinstallation de votre gros appareil si celui-ci est installé dans un endroit inaccessible ou n'est pas installé conformément aux instructions d'installation fournies.
11. Les gros appareils ménagers dont les numéros de série et de modèle originaux ont été enlevés, modifiés ou qui ne peuvent pas être facilement identifiés. La présente garantie est nulle si le numéro de série d'usine a été modifié ou enlevé du gros appareil ménager.

Le coût d'une réparation ou d'un remplacement dans le cadre de ces circonstances exclues est à la charge du client.

CLAUSE D'EXONÉRATION DE RESPONSABILITÉ AU TITRE DES GARANTIES IMPLICITES; LIMITATION DES RECOURS

LE SEUL ET EXCLUSIF RECOURS DU CLIENT DANS LE CADRE DE LA PRÉSENTE GARANTIE LIMITÉE CONSISTE EN LA RÉPARATION PRÉVUE CI-DESSUS. LES GARANTIES IMPLICITES, Y COMPRIS LES GARANTIES APPLICABLES DE QUALITÉ MARCHANDE ET D'APTITUDE À UN USAGE PARTICULIER, SONT LIMITÉES À UN AN OU À LA PLUS COURTE PÉRIODE AUTORISÉE PAR LA LOI. MAYTAG N'ASSUME AUCUNE RESPONSABILITÉ POUR LES DOMMAGES FORTUITS OU INDIRECTS. CERTAINES JURISDICTIONS NE PERMETTENT PAS L'EXCLUSION OU LA LIMITATION DES DOMMAGES FORTUITS OU INDIRECTS, OU LES LIMITATIONS DE LA DURÉE DES GARANTIES IMPLICITES DE QUALITÉ MARCHANDE OU D'APTITUDE À UN USAGE PARTICULIER, DE SORTE QUE CES EXCLUSIONS OU LIMITATIONS PEUVENT NE PAS S'APPLIQUER DANS VOTRE CAS. CETTE GARANTIE VOUS CONFÈRE DES DROITS JURIDIQUES SPÉCIFIQUES ET VOUS POUVEZ ÉGALEMENT JOUIR D'AUTRES DROITS QUI PEUVENT VARIER D'UNE JURISDICTION À UNE AUTRE.

Si vous résidez à l'extérieur des 50 États des États-Unis et du Canada, contactez votre marchand Maytag autorisé pour déterminer si une autre garantie s'applique.

Si vous avez besoin d'un service de réparation, voir d'abord la section "Dépannage" du guide d'utilisation et d'entretien. Si vous êtes dans l'incapacité de résoudre le problème après avoir vérifié la section "Dépannage", vous pourrez trouver de l'aide supplémentaire en vérifiant la section "Assistance ou service" ou en appelant Maytag. Aux États-Unis, composer le **1-800-688-9900**. Au Canada, composer le **1-800-807-6777**.

Conservez ce manuel et votre reçu de vente ensemble pour référence ultérieure. Pour le service sous garantie, vous devez présenter un document prouvant la date d'achat ou d'installation.

Inscrivez les renseignements suivants au sujet de votre gros appareil ménager pour mieux vous aider à obtenir assistance ou service en cas de besoin. Vous devrez connaître le numéro de modèle et le numéro de série au complet. Vous trouverez ces renseignements sur la plaque signalétique située sur le produit.

Nom du marchand _____

Adresse _____

Numéro de téléphone _____

Numéro de modèle _____

Numéro de série _____

Date d'achat _____