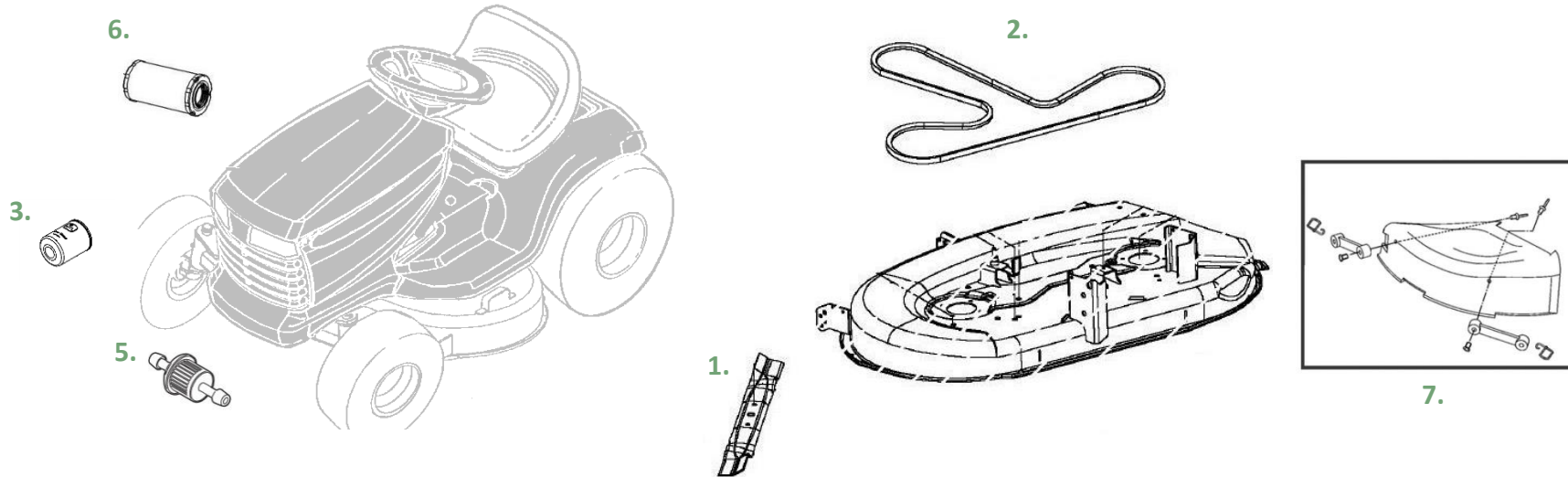


# John Deere D110 Lawn Tractor

## Parts and Maintenance Information



Key	Description	Part Number	Lowé's Item #
1.	42 inch Mower Blade (3n1)	GY20850	228460
2.	42 inch Mower Deck Belt	GX20072	228871
3.	Oil Filter	GY20577	228877
4.	Oil	TY22029	48763
5.	Fuel Filter	GY20709	228878
6.	Air Filter	GY21435 <sup>1</sup> GY21055 <sup>2</sup>	336262 198505
7.	Mulch Cover	GY00115	228462

<sup>1</sup> Fits D110 tractor PIN ending in 100001-500000, California XXXXXX-050000

<sup>2</sup> Fits D110 tractor PIN ending in 500001-XXXXXX, California 050001-XXXXXX

# John Deere D110 Lawn Tractor

## Parts and Maintenance Information

After 8 Hours	Yearly or Every 50 Hours (Whichever Comes First)
Lubricate mower spindles and pivot points.	Change engine oil & replace filter. (Service more frequently under dusty conditions.)
Check mower deck spindle brakes (Manual PTO)	Clean/replace air filter precleaner & element. (Service more frequently under dusty conditions.)
Lubricate front axle pivot and axle spindles.	Replace fuel filter.
Lubricate front axle wheel bushings.	Sharpen/replace mower blades.
Every 25 Hours	Check/replace mower drive belt.
Lubricate mower spindles and pivot points.	Every 200 Hours
Lubricate front axle pivot and axle spindles.	Check/adjust valve clearance. See your John Deere dealer for this service.
Lubricate front axle wheel bushings.	

For complete parts information for 100 Series Tractors: Visit your local John Deere Dealer or [www.Deere.com](http://www.Deere.com)

\*Refer to Operators Manual for a complete listing of service intervals.