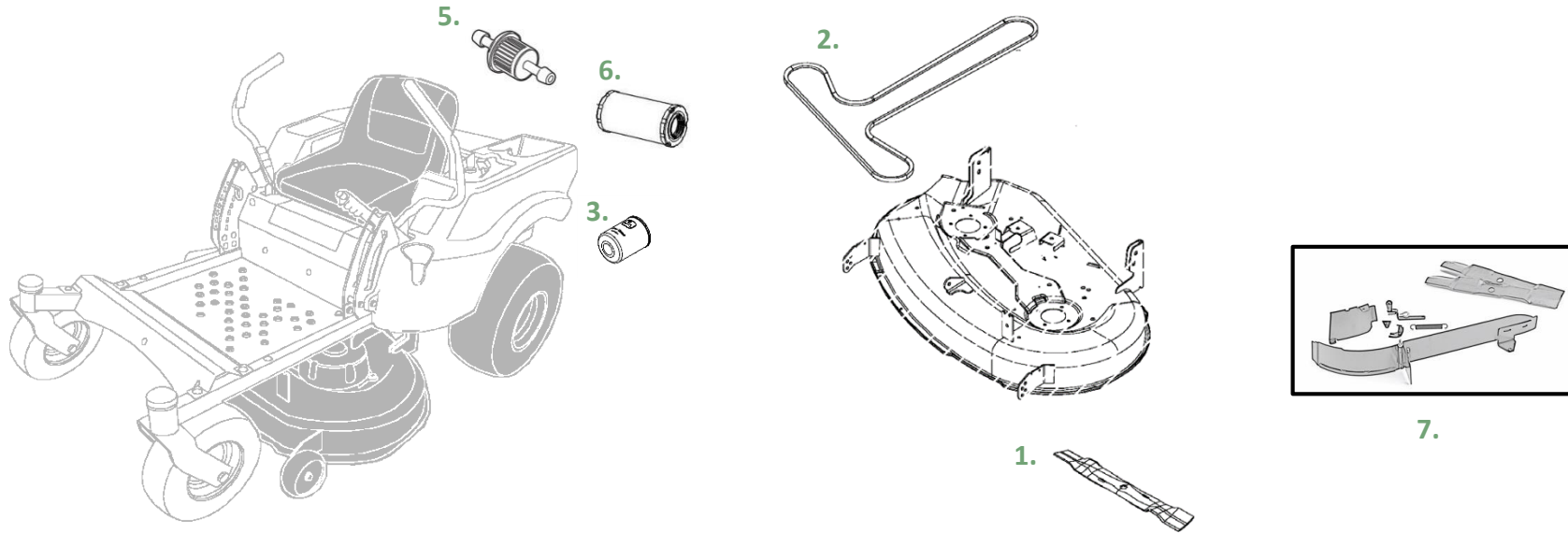


# John Deere Z335E ZTrak™

## Parts and Maintenance Information



Key	Description	Part Number	Lowe's Item #
1.	42 inch Mower Blade	GY20683	698349
2.	42 inch Mower Deck Belt	GX25628	712121
3.	Oil Filter	GY20577	228877
4.	Oil	TY22029	48763
5.	Fuel Filter	GY20709	228878
6.	Air Filter	GY21435	336262
7.	MulchControl™ Kit	BM24794	777835

# John Deere Z335E ZTrak™

## Parts and Maintenance Information

After 8 Hours	Every 100 Hours or Annually (Whichever Comes First)
Check mower deck level	Replace air filter element(s)
Every 50 hours or Annually (Whichever Comes First)	Replace fuel filter
Change engine oil	Check mower belt
Change engine oil filter	Sharpen / replace mower blades
Lubricate mower deck spindles	Clean underside of deck
Lubricate mower idler arm	Check tire pressure
Check mower deck level	Clean engine cooling fins
	Every 200 Hours
	Check / adjust engine valve clearance. See your John Deere dealer for this service.

For complete parts information for ZTrak™ Mowers: Visit your local John Deere Dealer or [www.Deere.com](http://www.Deere.com)

\*Refer to Operators Manual for a complete listing of service intervals.