

Walk-in Bath 32" x 60" Soaking Tub, Air Spa And Whirlpool

3260.210.SXX Soaking Tub

- Acrylic with fiberglass reinforcement.
- Free standing metal support frame with five adjustable leveling feet
- Easy access, powder coated aluminum door system
- Contoured, built-in seat.
- Built-in grab bar and textured bottom.
- Faucet / accessory deck areas.
- Color match cable driven drain assembly.

3260.210.WXX Whirlpool system

- Electronic control with timer.
- 1 HP variable flow pump system.
- 12 adjustable massage jets with
- Automatic Tub Cleaning System - Ozone.

3260.210.AXX Air Spa system

- Electronic control with timer.
- 1 HP variable flow heater blower.
- Multiple seat and floor air injectors.
- Automatic purge cycle

3260.210.CXX Combo system

- Combines Whirlpool And Air System

Nominal Dimensions

32" x 60" x 37 1/2"

Compliance Certifications

- ETL – INTERTEK SEMKO
- IAPMO - USPC
- ANSI Z 124.1.2 –for Plastic Bathtubs
- ASME A112.19.7 – Whirlpool Appliances
- ASME A112.19.15 –for Walk-in Bathtubs
- CSA B-45.5 – Canadian Plumbing Fixtures



To Be Specified – Required:

- Drain Configuration: Left (L) Or Right (R)
- Color: White (W) Or Linen (L)
- Faucet
- Quick Drain™: 9QUD
- Whirlpool Heater*: 9ILH (Whirlpool System Only)
- Chromatherapy: 9CTP
- Neck Rest: 9NR

* NOTE: The whirlpool heater is designed to maintain water temperature during operation. It will not heat cold water to desired bathing temperature

SEE REVERSE FOR ROUGHING –IN DIMENSIONS AND PRODUCT SPECIFICATIONS



**32" x 60" Walk-In
Soaking Tub, Air Spa And Whirlpool
High Gloss**

NOTES:

TUB IS SUPPORTED BY THE FRAME AND FIVE INTEGRATED ADJUSTABLE FEET, NO ADDITIONAL SUPPORT IS REQUIRED.

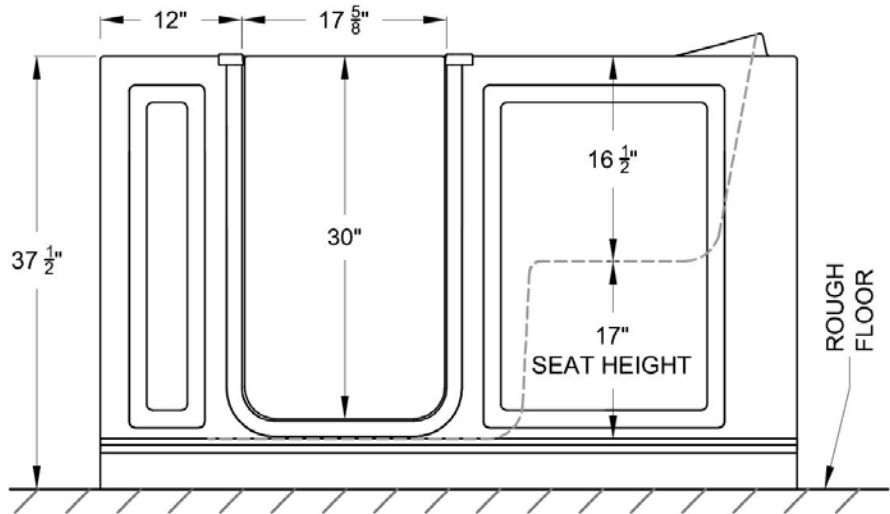
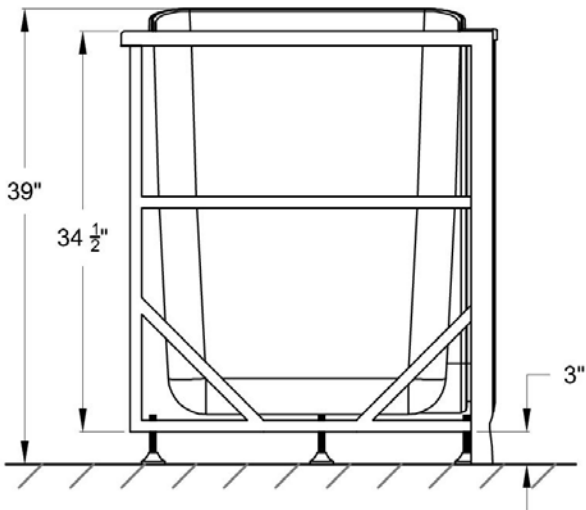
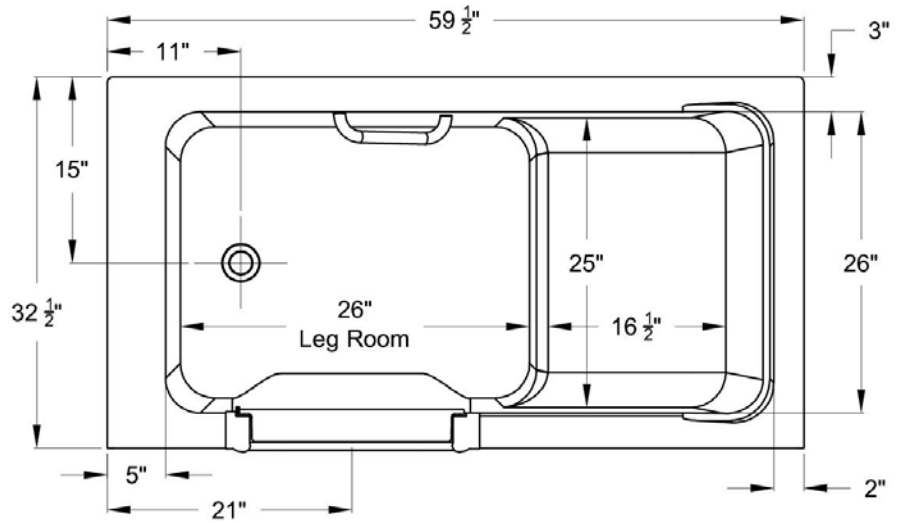
REFER TO INSTALLATION INSTRUCTIONS SUPPLIED WITH TUB FOR ADDITIONAL INFORMATION.

FIXTURES NOT INCLUDED AND MUST BE ORDERED SEPARATELY.

PROVIDE SUITABLE REINFORCEMENT TO SUB FLOOR FOR ALL SUPPORTS.

IMPORTANT:

Dimensions of fixtures are nominal, may vary and are subject to change or cancellation. No responsibility is assumed for use of superseded or voided leaflet



| GENERAL SPECIFICATIONS FOR 3260.210.XXX WALK IN BATH TUB | |
|---|--|
| INSTALLED SIZE | 60 x 32 x 37-1/2 In. (1524 x 812 x 952 mm) |
| WEIGHT | 210 Lbs. (95 kg) |
| WEIGHT w/ WATER | 877 Lbs. (398 kg) |
| OPERATING GAL. | 80 Gal. (302 L.) |
| FLOOR LOADING (PROJECTED AREA) | 65 Lbs/Sq. Ft (321 Kgs/Sq. m.) |
| CUBE (FT ³) | 41.7 |