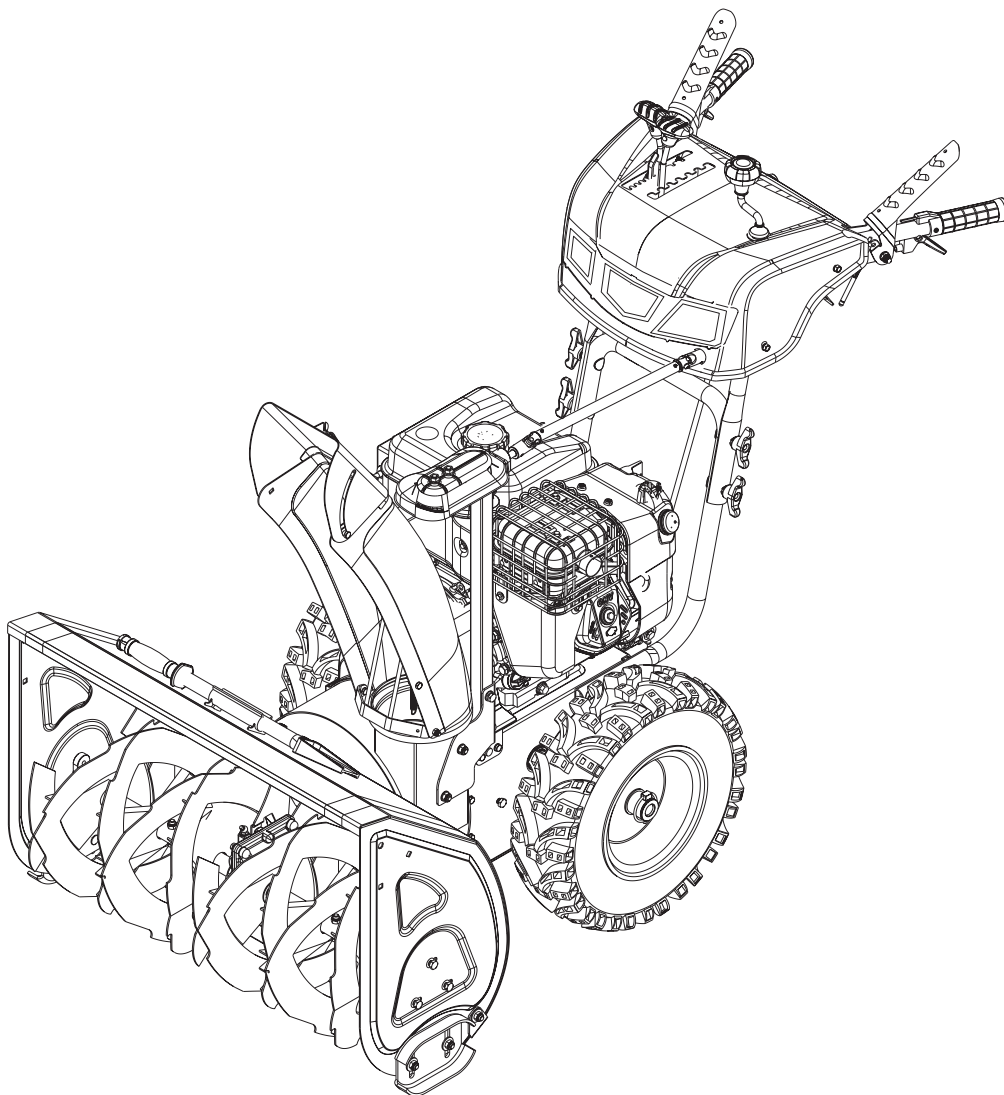




en *Customer Contact Guide*

es *Guía de contacto del cliente*

fr *Guide de contacts pour le client*



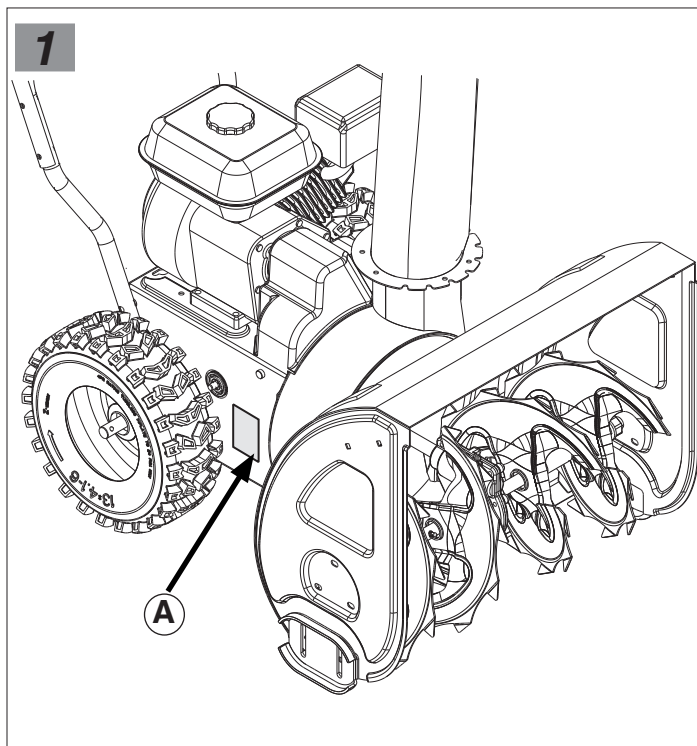
Thank you for purchasing this quality-built Briggs & Stratton® product. We're pleased that you've placed your confidence in the Briggs & Stratton brand. When operated and maintained according to the manuals, this product will provide many years of dependable service.

The operator's manual contains safety information to make you aware of the hazards and risks associated with the unit and how to avoid them. This product was designed to be used as described in the operator's manual and is not intended for any other purpose. It is important that you read and thoroughly understand the instructions in the manual before attempting to start, operate, or service the product. **Save these original instructions for future reference.**

This product requires final assembly, which is described in the setup instructions. Be sure to follow the instructions completely before use. If you need assistance with assembly, operation, or maintenance of the product, contact your local Authorized Service Dealer or visit www.briggsandstratton.com or call 1-800-743-4115 (in USA only).

Identification Tag

The product identification tag can be found in the location shown in (A, Figure 1).



Record your model name/number, manufacturer's identification numbers, and engine serial numbers in the space provided for easy access.

Product Model Number:	
Product Serial Number:	
Engine Model-Type Number:	
Engine Code/Serial Number:	
Date of Purchase:	
Purchase Location:	

When contacting your authorized dealer for replacement parts, service, or information you **MUST** have these numbers.

The Illustrated Parts List for this machine can be downloaded from www.briggsandstratton.com. Please provide model and serial number when ordering replacement parts.

Register Your Product

To ensure prompt and complete warranty coverage, register your product on-line at www.onlineproductregistration.com.

Warranty Statement

LIMITED WARRANTY

Briggs & Stratton warrants that, during the warranty period specified below, it will repair or replace, free of charge, any part that is defective in material or workmanship or both. Transportation charges on product submitted for repair or replacement under this warranty must be borne by purchaser. This warranty is effective for and is subject to the time periods and conditions stated below. For warranty service, find the nearest Authorized Service Dealer in our dealer locator map at www.briggsandstratton.com.

The purchaser must contact the Authorized Service Dealer, and then make the product available to the Authorized Service Dealer for inspection and testing.

There is no other express warranty. Implied warranties, including those of merchantability and fitness for a particular purpose, are limited to the warranty period listed below, or to the extent permitted by law. Liability for incidental or consequential damages are excluded to the extent exclusion is permitted by law. Some states or countries do not allow limitations on how long an implied warranty lasts, and some states or countries do not allow the exclusion or limitation of incidental or consequential damages, so the above limitation and exclusion may not apply to you. This warranty gives you specific legal rights and you may also have other rights which vary from state to state or country to country.**

WARRANTY PERIOD

Item	Consumer Use	Commercial Use
Equipment	36 Months	3 Months
Engine*	36 Months	3 Months
Battery (if equipped)	12 Months	12 Months

* Applies to Briggs & Stratton engines only. Warranty coverage of non-Briggs & Stratton engines is provided by that engine manufacturer. Emissions-related components are covered by the Emissions Warranty Statement.

** In Australia - Our goods come with guarantees that cannot be excluded under the Australian Consumer Law. You are entitled to a replacement or refund for a major failure and for compensation for any other reasonably foreseeable loss or damage. You are also entitled to have the goods repaired or replaced if the goods fail to be of acceptable quality and the failure does not amount to a major failure. For warranty service, find the nearest Authorized Service Dealer in our dealer locator map at BRIGGSandSTRATTON.COM, or by calling 1300 274 447, or by emailing or writing to salesenquires@briggsandstratton.com.au, Briggs & Stratton Australia Pty Ltd, 1 Moorebank Avenue, NSW, Australia, 2170.

The warranty period begins on the date of purchase by the first retail or commercial consumer. "Consumer use" means personal residential household use by a retail consumer. "Commercial use" means all other uses, including use for commercial, income producing or rental purposes. Once a product has experienced commercial use, it shall thereafter be considered as a commercial use product for purposes of this warranty.

To ensure prompt and complete warranty coverage, register your product at the website shown above or at www.onlineproductregistration.com.

Save your proof of purchase receipt. If you do not provide proof of the initial purchase date at the time warranty service is requested, the manufacturing date of the product will be used to determine the warranty period. Product registration is not required to obtain warranty service on Briggs & Stratton products.

ABOUT YOUR WARRANTY

Warranty service is available only through Briggs & Stratton Authorized Service Dealers. This warranty covers only defects in materials or workmanship. It does not cover damage caused by improper use or abuse, improper maintenance or repair, normal wear and tear, or stale or unapproved fuel.

Improper Use and Abuse - The proper, intended use of this product is described in the Operator's Manual. Using the product in a way not described in the Operator's Manual or using the product after it has been damaged will not be covered under this warranty. Warranty coverage will also not be provided if the serial number on the product has been removed or the product has been altered or modified in any way, or if the product has evidence of abuse such as impact damage or water/chemical corrosion damage.

Improper Maintenance or Repair - This product must be maintained according to the procedures and schedules provided in the Operator's Manual, and serviced or repaired using genuine Briggs & Stratton parts or equivalent. Damage caused by lack of maintenance or use of non-original parts is not covered by warranty.

Normal Wear and Tear - Like most mechanical devices, your unit is subject to wear even when properly maintained. This warranty does not cover repairs when normal use has exhausted the life of a part or the equipment. Maintenance and wear items such as filters, belts, cutting blades, and brake pads (except engine brake pads) are not covered by warranty due to wear characteristics alone, unless the cause is due to defects in material or workmanship.

Stale or Unapproved Fuel - In order to function correctly, this product requires fresh fuel that conforms to the criteria specified in the Operator's Manual. Engine or equipment damage caused by stale fuel or the use of unapproved fuels (such as E15 or E85 ethanol blends) is not covered by warranty.

Other Exclusions - This warranty excludes damage due to accident, abuse, modifications, alterations, improper servicing, freezing or chemical deterioration. Attachments or accessories that were not originally packaged with the product are also excluded. There is no warranty coverage on equipment used for primary power in place of utility power or on equipment used in life support applications. This warranty does not include used, reconditioned, second-hand, or demonstration equipment or engines. This warranty also excludes failures due to acts of God and other force majeure events beyond the manufacturer's control.

80004552EN (Rev A)

California, U.S. EPA, and Briggs & Stratton Corporation Emissions Control Warranty Statement
Your Warranty Rights And Obligations
For Briggs & Stratton Engine Models with "F" Trim Designation
(Model-Type-Trim Representation xxxxxx xxxx Fx)

The California Air Resources Board, U.S. EPA, and Briggs & Stratton (B&S) are pleased to explain the emissions control system warranty on your 2016-2018 engine/equipment. In California, new small off-road engines and large spark ignited engines less than or equal to 1.0 liter must be designed, built, and equipped to meet the State's stringent anti-smog standards. B&S must warrant the emissions control system on your engine/equipment for the periods of time listed below provided there has been no abuse, neglect, or improper maintenance of your engine/equipment.

Your exhaust emissions control system may include parts such as the carburetor or fuel injection system, ignition system, and catalytic converter. Also included may be hoses, belts, connectors, sensors, and other emissions-related assemblies. Your evaporative emission control system may include parts such as: carburetors, fuel tanks, fuel lines, fuel caps, valves, canisters, filters, vapor hoses, clamps, connectors, and other associated components.

Where a warrantable condition exists, B&S will repair your engine/equipment at no cost to you including diagnosis, parts, and labor.

Manufacturer's Warranty Coverage:

Small off-road engines and large spark ignited engines less than or equal to 1.0 liter, and any related emissions components of the equipment, are warranted for two years, or for the time period listed in the respective engine or product warranty statement, whichever is greater. If any emissions-related part on your B&S engine/equipment is defective, the part will be repaired or replaced by B&S.

Briggs & Stratton Emissions Control Warranty Provisions

The following are specific provisions relative to your Emissions Control Warranty Coverage. It is in addition to the B&S engine warranty for non-regulated engines found in the Operator's Manual.

1. Warranted Emissions Parts

Coverage under this warranty extends only to the parts listed below (the emissions control systems parts) to the extent these parts were present on the B&S engine and/or B&S supplied fuel system.

a. Fuel Metering System

- Cold start enrichment system (soft choke)
- Carburetor or fuel injection system
- Oxygen sensor
- Electronic control unit
- Fuel pump module
- Fuel line, fuel line fittings, clamps
- Fuel tank, cap and tether
- Carbon canister

b. Air Induction System

- Air cleaner
- Intake manifold
- Purge and vent line

c. Ignition System

- Spark plug(s)
- Magneto ignition system

d. Catalyst System

- Catalytic converter
- Exhaust manifold
- Air injection system or pulse valve

e. Miscellaneous Items Used in Above Systems

- Vacuum, temperature, position, time sensitive valves and switches
- Connectors and assemblies

2. Length of Coverage

Coverage is for a period of two years from the date of original purchase, or for the time period listed in the respective engine or product warranty statement, whichever is greater. B&S warrants to the original purchaser and each subsequent purchaser that the engine

Owner's Warranty Responsibilities:

- As the engine/equipment owner, you are responsible for the performance of the required maintenance listed in your Operator's Manual. B&S recommends that you retain all receipts covering maintenance on your engine/equipment, but B&S cannot deny warranty solely for the lack of receipts or your failure to ensure the performance of all scheduled maintenance.
- As the engine/equipment owner, you should however be aware that B&S may deny you warranty coverage if your engine/equipment or a part has failed due to abuse, neglect, improper maintenance, or unapproved modifications.
- You are responsible for presenting your engine/equipment to a B&S distribution center, servicing dealer, or other equivalent entity, as applicable, as soon as a problem exists. The warranty repairs should be completed in a reasonable amount of time, not to exceed 30 days. If you have any questions regarding your warranty rights and responsibilities, you should contact B&S at 1-800-444-7774 (in USA) or BRIGGSandSTRATTON.COM.

is designed, built, and equipped so as to conform with all applicable regulations adopted by the Air Resources Board; that it is free from defects in material and workmanship that could cause the failure of a warranted part; and that it is identical in all material respects to the engine described in the manufacturer's application for certification. The warranty period begins on the date the engine is originally purchased.

The warranty on emissions-related parts is as follows:

- Any warranted part that is not scheduled for replacement as required maintenance in the Operator's Manual supplied, is warranted for the warranty period stated above. If any such part fails during the period of warranty coverage, the part will be repaired or replaced by B&S at no charge to the owner. Any such part repaired or replaced under the warranty will be warranted for the remaining warranty period.
- Any warranted part that is scheduled only for regular inspection in the Operator's Manual supplied, is warranted for the warranty period stated above. Any such part repaired or replaced under warranty will be warranted for the remaining warranty period.
- Any warranted part that is scheduled for replacement as required maintenance in the Operator's Manual supplied, is warranted for the period of time prior to the first scheduled replacement point for that part. If the part fails prior to the first scheduled replacement, the part will be repaired or replaced by B&S at no charge to the owner. Any such part repaired or replaced under warranty will be warranted for the remainder of the period prior to the first scheduled replacement point for the part.
- Add-on or modified parts that are not exempted by the Air Resources Board may not be used. The use of any non-exempted add-on or modified parts by the owner will be grounds for disallowing a warranty claim. The manufacturer will not be liable to warrant failures of warranted parts caused by the use of a non-exempted add-on or modified part.

3. Consequential Coverage

Coverage shall extend to the failure of any engine components caused by the failure of any warranted emissions parts.

4. Claims and Coverage Exclusions

Warranty claims shall be filed according to the provisions of the B&S engine warranty policy. Warranty coverage does not apply to failures of emissions parts that are not original equipment B&S parts or to parts that fail due to abuse, neglect, or improper maintenance as set forth in the B&S engine warranty policy. B&S is not liable for warranty coverage of failures of emissions parts caused by the use of add-on or modified parts.

**Look For Relevant Emissions Durability Period and Air Index Information
On Your Small Off-Road Engine Emissions Label**

Engines that are certified to meet the California Air Resources Board (CARB) small off-road Emissions Standard must display information regarding the Emissions Durability Period and the Air Index. Briggs & Stratton makes this information available to the consumer on our emissions labels. The engine emissions label will indicate certification information.

The **Emissions Durability Period** describes the number of hours of actual running time for which the engine is certified to be emissions compliant, assuming proper maintenance in accordance with the Operator's Manual. The following categories are used:

Moderate:

Engines at or less than 80 cc displacement are certified to be emissions compliant for 50 hours of actual engine running time. Engines greater than 80 cc displacement are certified to be emissions compliant for 125 hours of actual engine running time.

Intermediate:

Engines at or less than 80 cc displacement are certified to be emissions compliant for 125 hours of actual engine running time. Engines greater than 80 cc displacement are certified to be emissions compliant for 250 hours of actual engine running time.

Extended:

Engines at or less than 80 cc displacement are certified to be emissions compliant for 300 hours of actual engine running time. Engines greater than 80 cc displacement are certified to be emissions compliant for 500 hours of actual engine running time.

For example, a typical walk-behind lawn mower is used 20 to 25 hours per year. Therefore, the **Emissions Durability Period** of an engine with an **intermediate** rating would equate to 10 to 12 years.

Briggs & Stratton engines are certified to meet the United States Environmental Protection Agency (USEPA) Phase 2 or Phase 3 emissions standards. The Emissions Compliance Period referred to on the Emissions Compliance label indicates the number of operating hours for which the engine has been shown to meet Federal emissions requirements.

For engines at or less than 80 cc displacement:

Category C = 50 hours, Category B = 125 hours, Category A = 300 hours

For engines greater than 80 cc displacement and less than 225 cc displacement:

Category C = 125 hours, Category B = 250 hours, Category A = 500 hours

For engines of 225 cc or more displacement:

Category C = 250 hours, Category B = 500 hours, Category A = 1000 hours

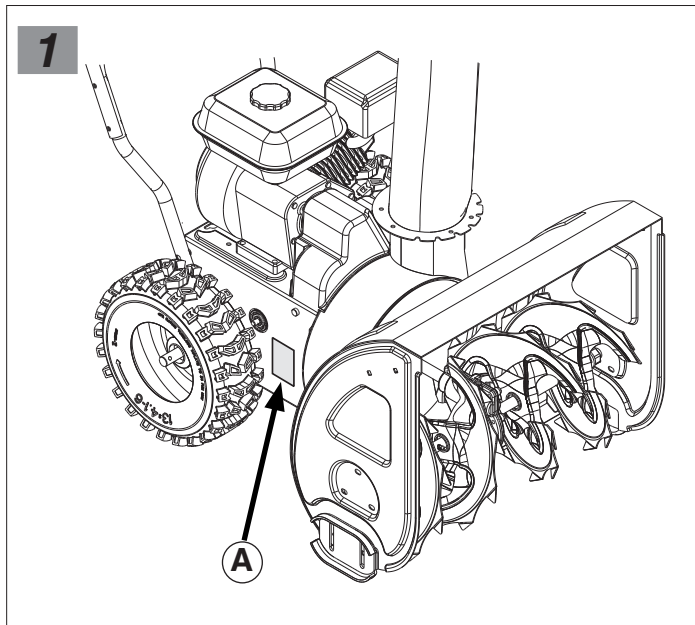
Gracias por adquirir este producto Briggs & Stratton® de alta calidad. Le agradecemos la confianza que ha depositado en la marca Briggs & Stratton. Si se usa y se le da mantenimiento según las instrucciones en los manuales, su producto le proporcionará muchos años de servicio confiable.

Este manual para el operador contiene información de seguridad para advertirle sobre los peligros y riesgos asociados con la unidad y cómo evitarlos. Este producto se diseñó para su utilización tal como se describe en el manual para el operador y no está destinado para ningún otro propósito. Es importante que lea y entienda completamente las instrucciones del manual antes de intentar poner en marcha, operar o realizar el mantenimiento o reparaciones del producto. **Conserve estas instrucciones originales para poder consultarlas en el futuro.**

Este producto necesita montaje final, que se describe en las instrucciones de instalación. Asegúrese de seguir las instrucciones al pie de la letra antes de usar la unidad. Si necesita ayuda con el montaje, operación o mantenimiento del producto, póngase en contacto con su distribuidor de servicio autorizado local o visite www.briggsandstratton.com o llame al 1-800-743-4115 (solamente en EUA).

Etiqueta de identificación

La etiqueta de identificación del producto se puede encontrar en la ubicación que se muestra en la (A, Figura 1).



Registre su nombre y número de modelo, los números de identificación del fabricante y los números de serie del motor en el espacio provisto para fácil acceso.

Número de modelo del producto:	
Número de serie del producto:	
Número de modelo-tipo de motor:	
Número de serie/código de motor:	
Fecha de compra:	
Lugar de compra:	

Cuando se contacte con su distribuidor autorizado para pedir piezas de repuesto, servicio o información, usted DEBE tener estos números.

La lista de piezas ilustradas de esta máquina se puede descargar desde www.briggsandstratton.com. Proporcione el modelo y número de serie cuando pida piezas de repuesto.

Registre su producto

Para garantizar una cobertura de garantía puntual y completa, registre su producto en el sitio web www.onlineproductregistration.com.

Declaración de la garantía

GARANTÍA LIMITADA

Briggs & Stratton garantiza que, durante el período de garantía que se especifica a continuación, reparará o sustituirá de forma gratuita cualquier pieza que sea defectuosa en el material, la mano de obra o ambos. El comprador será responsable de pagar los cargos de transporte relativos a los productos enviados para reparación o sustitución según esta garantía. Esta garantía se mantiene vigente durante los períodos de tiempo indicados a continuación y está sujeta a dichos períodos y a las condiciones que se indican a continuación. Para los asuntos relacionados con el servicio de garantía, encuentre un distribuidor de servicio autorizado en nuestro mapa localizador de distribuidores en www.briggsandstratton.com.

El comprador debe ponerse en contacto con el distribuidor de servicio autorizado y poner el producto a su disposición para su inspección y evaluación.

No existe ninguna otra garantía expresa. Las garantías implícitas, que incluyen aquellas de comercialización e idoneidad para un fin particular, se limitan al período de garantía mencionado a continuación o hasta el punto permitido por la ley. La responsabilidad ante daños fortuitos o emergentes queda excluida hasta el punto en que la exclusión esté permitida por la ley. Algunos estados o países no permiten limitaciones en cuanto a la duración de una garantía implícita y otros no permiten la exclusión o la limitación de daños fortuitos o emergentes, de modo que es posible que la limitación y exclusión que se menciona anteriormente no se aplique a su caso particular. Esta garantía le otorga derechos legales específicos; también podría tener otros que varían según el estado o el país.**

PERÍODO DE LA GARANTÍA

Artículo	Uso del consumidor	Uso comercial
Equipo	36 meses	3 meses
Motor*	36 meses	3 meses
Batería (si tiene)	12 meses	12 meses

* Se aplica únicamente a los motores Briggs & Stratton. La cobertura de la garantía de los motores que no sean Briggs & Stratton es proporcionada por el fabricante del motor. La declaración de garantía de emisiones cubre los comentarios relacionados con las emisiones.

** En Australia, nuestros productos están cubiertos por garantías ineludibles de acuerdo con la legislación sobre consumo de este país. Tiene derecho a un recambio o devolución en caso de avería grave y a una compensación por las posibles pérdidas o daños razonables previsibles. Asimismo, si la vería no es grave, tiene derecho a que se reparen o reemplacen los productos si no tienen una calidad aceptable. Para servicio de garantía, localice al distribuidor de servicio autorizado más cercano con nuestro mapa en BRIGGSandSTRATTON.COM, llame al 1300 274 447, o bien, envíe un correo electrónico a salesenquires@briggsandstratton.com.au, o escriba a Briggs & Stratton Australia Pty Ltd, 1 Moorebank Avenue, NSW, Australia, 2170.

El período de garantía comienza en la fecha de compra del primer consumidor o usuario comercial final. «Uso particular» significa uso doméstico residencial personal por un consumidor minorista. «Uso comercial» significa los demás usos, lo que incluye el uso para propósitos comerciales, generar ingresos o alquiler. Una vez que el producto se haya usado para fines comerciales, de ahí en adelante se considerará uso comercial a efectos de esta garantía. A fin de garantizar una pronta y completa cobertura de la garantía, registre su producto en el sitio web que se muestra arriba o en www.onlineproductregistration.com.

Guarde el recibo comprobante de compra. Si no se proporciona una prueba de la fecha de compra inicial en el momento se solicitar servicio de garantía, se utilizará la fecha de fabricación del producto para determinar el período de garantía. No es necesario el registro del producto para obtener el servicio de garantía de los productos Briggs & Stratton.

ACERCA DE LA GARANTÍA

El servicio de garantía se encuentra disponible solamente a través de concesionarios de servicio autorizados de Briggs & Stratton. Esta garantía solo cubre defectos de materiales y mano de obra. Esto no cubre el daño causado por uso impropio o abuso, mantenimiento impropio o reparación, desgaste normal, o combustible rancio o no aprobado.

Uso no adecuado y mal uso: el uso correcto y para el que se ha diseñado este equipo se describe en el manual del usuario. Si el producto no se usa de la manera que se describe en el manual del usuario o si el producto se usa después de que haya resultado dañado, quedará anulada la garantía. La garantía queda anulada si se ha borrado el número de serie del producto o el producto ha sido modificado de alguna manera, o si el producto presenta indicios de haber sido usado incorrectamente, por ejemplo, daños producidos por un impacto o daños producidos por corrosión química/agua.

Mantenimiento o reparaciones inadecuadas: el producto debe someterse a labores de mantenimiento de acuerdo con los procedimientos y plazos establecidos en el manual del usuario, y para el mantenimiento y las reparaciones se deben utilizar piezas Briggs & Stratton originales o equivalentes. La garantía no cubre los daños ocasionados por la falta de mantenimiento o el uso de piezas no originales.

Desgaste normal: al igual que otros dispositivos mecánicos, el producto está sujeto a desgaste incluso si se realiza un mantenimiento correcto. Esta garantía no cubrirá la reparación cuando el uso normal haya agotado la vida útil de una pieza o del aparato. Los accesorios y elementos de mantenimiento como filtros, correas, hojas cortantes y pastillas de freno (excepto las pastillas de freno de los motores) no están cubiertos por la garantía por sus propias características, a no ser que la causa sea un defecto del material o de fabricación.

Combustible en mal estado o no aprobado: para que este producto funcione correctamente, se necesita combustible fresco que cumpla los criterios especificados en el manual del usuario. Los daños al motor o al equipo causados por combustible en mal estado o por el uso de combustibles (como, por ejemplo, las mezclas de etanol E15 o E85) no están cubiertos por la garantía.

Otras exclusiones: esta garantía excluye cualquier daño provocado por accidente, uso incorrecto, modificaciones, alteraciones, mantenimiento incorrecto, congelación o deterioro producido por productos químicos. También excluye cualquier complemento o accesorio que no se incluyera en el paquete original del producto. No existe ninguna cobertura de garantía para equipos que se usen para generar energía principal en lugar de energía de uso ni para equipos que se usen en aplicaciones de soporte vital. Esta garantía no incluye equipos o motores usados, reacondicionados, de segunda mano o de demostración. Esta garantía excluye los fallos debidos a hechos fortuitos y a otros acontecimientos de fuerza mayor que escapan al control del fabricante.

80004552ES (Rev A)

Declaración de garantía de control de emisiones de California, EPA de los EE. UU. y Briggs & Stratton Corporation

Derechos y obligaciones de la garantía

Para los modelos de motor Briggs & Stratton con designación de orientación "F"
(Modelo-Tipo-Orientación Representación xxxxxx xxxx Fx)

El Consejo de Recursos del Aire de California, EPA de los EE. UU. y Briggs & Stratton (B&S) le explican a continuación la garantía del sistema de control de emisiones de su motor o equipo 2016-2018. En California, los nuevos motores pequeños todo terreno y los motores grandes con ignición por bujías no superiores a 1,0 litro deben estar diseñados, fabricados y equipados conforme a los exigentes estándares estatales de lucha contra la contaminación. B&S debe garantizar el sistema de control de emisiones en su motor o equipo por los períodos de tiempo indicados a continuación, siempre que no haya habido abuso, descuido o un mantenimiento inapropiado de su motor o equipo.

Su sistema de control de emisiones de escape puede incluir piezas como el carburador o un sistema de inyección de combustible, un sistema de ignición y un convertidor catalítico. También puede incluir mangueras, correas, conectores, sensores y otros conjuntos relacionados con las emisiones. Su sistema de control de emisiones por evaporación puede incluir piezas como: carburadores, tanques de combustible, tuberías de combustible, tapones de combustible, válvulas, cartuchos, filtros, mangueras de vapor, abrazaderas, conectores y otros componentes asociados.

Cuando exista una condición sujeta a garantía, B&S reparará su motor o equipo sin cargo para usted, lo que incluye diagnóstico, piezas y mano de obra.

Cobertura de la garantía del fabricante:

Los motores pequeños todo terreno y los motores grandes con ignición por bujías no superiores a 1,0 litro y todos los componentes del equipo relacionados con las emisiones, tienen garantía de dos años o por el período que se indica en la declaración de garantía del motor o producto correspondiente, lo que sea más prolongado. Si alguna pieza relacionada con las emisiones en su motor o equipo está defectuosa, la pieza será reparada o reemplazada por B&S.

Disposiciones de la garantía de control de emisiones de Briggs & Stratton

Las siguientes son disposiciones específicas relativas a la cobertura de su garantía de control de emisiones. Es una adición a la garantía del motor de B&S para los motores no regulados, que se encuentra en el Manual del operador.

1. Piezas con control de emisiones garantizadas

La cobertura de esta garantía se extiende únicamente a las piezas que se indican a continuación (las piezas de los sistemas de control de emisiones) en la medida en que estas piezas estén presentes en el motor B&S y en el sistema de combustible suministrado por B&S.

a. Sistema de medición de combustible

- Sistema de enriquecimiento de arranque en frío (estrangulador suave)
- Carburador o sistema de inyección de combustible
- Sensor de oxígeno
- Unidad de control electrónico
- Módulo de bomba de combustible
- Tubería de combustible, conectores de la tubería de combustible, abrazaderas
- Tanque de combustible, tapón y amarre
- Filtro de carbono

b. Sistema de inducción de aire

- Filtro de aire
- Colector de admisión
- Tubería de purga y ventilación

c. Sistema de ignición

- Bujías
- Sistema de ignición por magneto

d. Sistema catalizador

- Convertidor catalítico
- Colector de escape
- Sistema de inyección de aire o válvula de pulso

e. Artículos variados utilizados en los sistemas mencionados anteriormente

- Válvulas e interruptores de vacío, temperatura y posición en función del tiempo
- Conectores y conjuntos

2. Duración de la cobertura

La cobertura es por un período de dos años a partir de la fecha de la compra original o por el período que se indica en la declaración de garantía del motor o producto correspondiente, lo que sea más prolongado. B&S garantiza al comprador original y a cada comprador subsiguiente que el motor está diseñado, construido y equipado de acuerdo con todas las normas aplicables adoptadas por el Consejo de Recursos del Aire (Air Resources Board); que no tiene defectos en materiales y en mano de obra que puedan causar el fallo

Responsabilidades del propietario con respecto a la garantía:

- Como propietario del motor o equipo, usted es responsable de llevar a cabo todos los mantenimientos necesarios enumerados en el Manual del operador. B&S recomienda que conserve todos los recibos que cubren el mantenimiento de su motor o equipo, pero B&S no puede negar la garantía sólo por la falta de recibos o por su incapacidad de asegurar la realización de todo el mantenimiento programado.
- Sin embargo, como propietario del motor o equipo, usted debe ser consciente de que B&S puede negar la cobertura de la garantía si su motor o equipo o una parte de él ha fallado a causa de abuso, descuido, mantenimiento inapropiado o modificaciones no aprobadas.
- Usted es responsable de presentar su motor o equipo a un centro de distribución de B&S, distribuidor autorizado de servicio u otra entidad equivalente, según corresponda, en el momento en que surja un problema. Las reparaciones cubiertas por la garantía se llevarán a cabo en un plazo razonable de tiempo no superior a 30 días. En caso de tener preguntas sobre los derechos y responsabilidades relativos a la garantía, llame al 1-800-444-7774 (en EE. UU.) para ponerse en contacto con B&S o visite BRIGGSandSTRATTON.COM.

de una pieza garantizada; y que es idéntico en todos los aspectos materiales al motor descrito en las solicitudes de certificación del fabricante. El período de garantía comienza en la fecha de compra original del motor.

La garantía sobre las piezas relacionadas con las emisiones es la siguiente:

- Cualquier pieza garantizada que no esté programada para ser reemplazada como parte del mantenimiento necesario en el Manual del operador que se proporcionó está garantizada durante el período de vigencia de la garantía indicado anteriormente. Si alguna de estas piezas falla durante el período cubierto por la garantía, la pieza será reparada o reemplazada por B&S sin costo para el propietario. Cualquiera de estas piezas reparadas o reemplazadas durante la garantía se garantizará por el período de garantía restante.
- Cualquier pieza garantizada que solo esté programada para inspección regular en el Manual del operador que se proporcionó, está garantizada durante el período de vigencia de la garantía indicado anteriormente. Cualquiera de estas piezas reparadas o reemplazadas durante la garantía se garantizará por el período de garantía restante.
- Cualquier pieza garantizada programada para ser reemplazada como parte del mantenimiento necesario en el Manual del operador que se proporcionó, está garantizada durante el período de vigencia de la garantía indicado anteriormente. Si alguna de estas piezas falla antes del primer reemplazo programado, la pieza será reparada o reemplazada por B&S sin costo para el propietario. Cualquiera de estas piezas reparadas o reemplazadas durante la garantía se garantizará por el resto del período de garantía anterior al primer reemplazo programado de la pieza.
- No se podrán utilizar piezas complementarias o modificadas que el Consejo de Recursos del Aire no haya dejado exentas. Si el propietario usa piezas complementarias o modificadas no exentas, dará lugar a la anulación de la reclamación de garantía. El fabricante no será responsable de los fallos o las piezas cubiertas por la garantía, que se deban al uso de una pieza complementaria o modificada no exenta.

3. Cobertura indirecta

La cobertura se extenderá al fallo de cualquier componente del motor ocasionado por el fallo de cualquier pieza de emisiones garantizada.

4. Reclamaciones y exclusiones de la cobertura

Las reclamaciones por la garantía se presentarán de conformidad con las disposiciones de la política de garantías de Briggs & Stratton. La cobertura de la garantía no aplica a fallos en las piezas de emisiones que no sean piezas originales del equipo de B&S o a piezas que hayan fallado debido al abuso, descuido o mantenimiento inapropiado como se establece en la póliza de garantía para motores de B&S. B&S no es responsable por la cobertura de la garantía por fallos en las piezas de emisiones causadas por piezas complementarias o modificadas.

Busque la información relevante del período de durabilidad de emisiones e índice del aire en la etiqueta de emisiones de su pequeño motor todo terreno

Los motores con certificación de cumplimiento de la normativa sobre emisiones de motores pequeños todo terreno del Consejo de Recursos del Aire de California (CARB) deben mostrar información sobre el período de durabilidad de las emisiones y el índice de aire. Briggs & Stratton ofrece esta información al consumidor mediante etiquetas de emisiones. La etiqueta de emisiones del motor contiene la información de certificación.

El **período de durabilidad de las emisiones** indica la cantidad de horas de funcionamiento por las cuales el motor tiene certificación de conformidad de emisiones, siempre que se realicen las operaciones de mantenimiento adecuadas según el Manual del operador. Se utilizan las siguientes categorías:

Moderado:

Los motores con desplazamiento inferior a 80 cc tienen certificación de conformidad de emisiones por 50 horas del tiempo real de funcionamiento. Los motores con desplazamiento superior a 80 cc tienen certificación de conformidad de emisiones por 125 horas del tiempo real de funcionamiento.

Intermedio:

Los motores con desplazamiento inferior a 80 cc tienen certificación de conformidad de emisiones por 125 horas del tiempo real de funcionamiento. Los motores con desplazamiento superior a 80 cc tienen certificación de conformidad de emisiones por 250 horas del tiempo real de funcionamiento.

Extendido:

Los motores con desplazamiento inferior a 80 cc tienen certificación de conformidad de emisiones por 300 horas del tiempo real de funcionamiento. Los motores con desplazamiento superior a 80 cc tienen certificación de conformidad de emisiones por 500 horas del tiempo real de funcionamiento.

Por ejemplo, un cortacésped con operario a pie se suele utilizar entre 20 y 25 horas al año. Por lo tanto, el **período de durabilidad de las emisiones** de un motor con clasificación **intermedia** equivaldría entre 10 y 12 años.

Los motores Briggs & Stratton cuentan con la certificación de cumplimiento de la fase 2 o 3 de las normativas sobre emisiones de la Agencia de Protección del Medioambiente de los Estados Unidos (USEPA). El período de cumplimiento de la normativa sobre emisiones que figura en la etiqueta de cumplimiento de emisiones indica la cantidad de horas de funcionamiento durante las cuales el motor ha demostrado cumplir los requisitos federales sobre emisiones.

Para motores con un desplazamiento inferior a 80 cc:

Categoría C = 50 horas, Categoría B = 125 horas, Categoría A = 300 horas

Para motores con desplazamiento superior a 80 cc y desplazamiento inferior a 225 cc:

Categoría C = 125 horas, Categoría B = 250 horas, Categoría A = 500 horas

Para motores con un desplazamiento superior a 225 cc:

Categoría C = 250 horas, Categoría B = 500 horas, Categoría A = 1000 horas

80008256ES(Rev E)

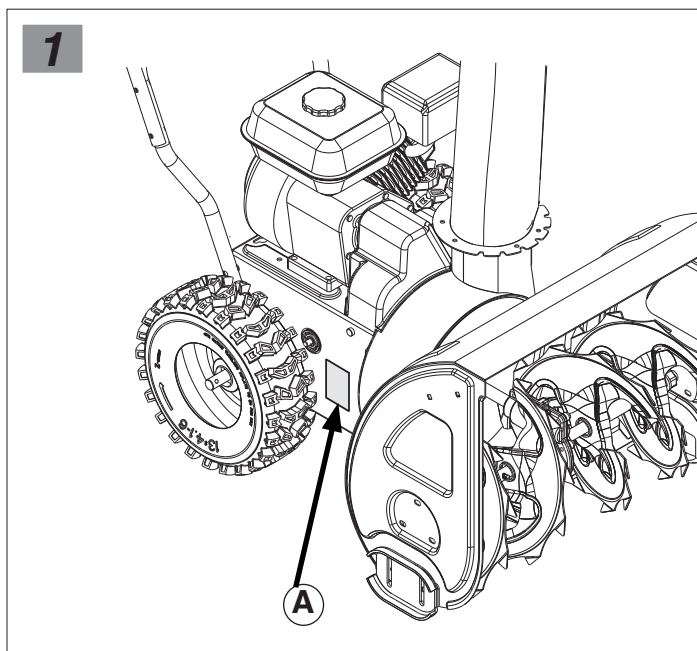
Merci d'avoir acheté ce produit de qualité Briggs & Stratton®. Nous sommes heureux que vous ayez accordé votre confiance à la marque Briggs & Stratton. S'il est utilisé et entretenu conformément aux instructions de ce manuel, ce produit vous apportera de nombreuses années de service fiable.

Ce manuel de l'utilisateur contient des informations de sécurité pour que vous preniez connaissance des dangers et des risques associés à l'unité et de la manière de les éviter. Ce produit a été conçu pour être utilisé tel que décrit dans le manuel de l'utilisateur et il n'est destiné à aucune autre utilisation. Il est important de bien lire et comprendre les instructions de ce manuel avant d'essayer de démarrer, d'utiliser ou d'entretenir le produit. **Gardez ce mode d'emploi pour futures références.**

Ce produit requiert un montage final qui est décrit dans les instructions d'installation. Assurez-vous de bien suivre les instructions avant d'utiliser le produit. Si vous avez besoin d'assistance pour l'assemblage, le fonctionnement ou l'entretien du produit, vous pouvez contacter votre revendeur agréé ou consulter le site www.briggsandstratton.com ou appeler le **1-800-743-4115** (États-Unis uniquement).

Étiquette d'identification

L'étiquette d'identification du produit se trouve à l'emplacement indiqué sur (A, Figure 1).



Enregistrez le nom/numéro du modèle, les numéros d'identification du fabricant et les numéros de série du moteur dans l'espace prévu pour un accès facile.

Numéro de modèle du produit :	
Numéro de série du produit :	
Numéro du type-modèle moteur :	
Numéro de série/code moteur :	
Date d'achat :	
Lieu de l'achat :	

Quand vous contactez votre revendeur agréé pour les pièces de rechange, l'entretien ou des informations, vous DEVEZ être en possession de ces numéros.

La liste illustrée des pièces de cette machine peut être téléchargée sur www.briggsandstratton.com. Veuillez fournir le numéro du modèle et de la série lorsque vous commandez des pièces de rechange.

Enregistrement de votre produit

Pour assurer une couverture rapide et complète de la garantie, enregistrez votre produit en ligne sur www.onlineproductregistration.com.

POLITIQUE DE GARANTIE DES PRODUITS BRIGGS & STRATTON

GARANTIE LIMITÉE

Briggs & Stratton garantit la réparation ou le remplacement gratuit, pendant la période de garantie spécifiée ci-dessous, de toute pièce présentant des vices de matériaux ou de fabrication. Les frais de transport du produit à réparer ou remplacer seront, dans le cadre de cette garantie, réglés par l'acheteur. Cette garantie court sur les périodes énoncées ci-dessous et est assujettie aux conditions énoncées ci-dessous. Pour trouver le distributeur autorisé le plus proche afin d'obtenir les services couverts par la garantie, veuillez consulter notre carte de localisation de distributeur sur www.briggsandstratton.com. L'acheteur doit contacter le distributeur autorisé, puis lui apporter le produit à des fins d'inspection et de test.

Il n'y a pas d'autre garantie expresse. Les garanties implicites, y compris celles de qualité marchande et d'adaptation à un emploi particulier, sont limitées à une année à partir de la date d'acquisition ou conformément à ce qui est prévu par la loi. La responsabilité pour les dommages consécutifs ou indirects est exclue dans la mesure où l'exclusion est prévue par la loi. Certains états ou pays ne permettent pas les limitations de durée de la garantie implicite. Certains états ou pays n'autorisent pas l'exclusion ou la limitation des dommages consécutifs ou indirects. Dans ce cas, la limitation ci-dessus ne s'applique pas à votre cas. La présente garantie vous offre des droits juridiques spécifiques et il se peut que vous ayez d'autres droits qui varient d'une juridiction à une autre, ou d'un pays à un autre.**

PÉRIODE DE GARANTIE

Article	Usage privé	Usage commercial
Équipement	36 mois	3 mois
Moteur*	36 mois	3 mois
Batterie (si équipé)	12 mois	12 mois

* Ne s'applique qu'aux moteurs Briggs & Stratton. La couverture de garantie de moteurs non Briggs & Stratton est fournie par le fabricant de ces moteurs. Les composants utilisés lors des émissions sont couverts par la Déclaration de garantie concernant les émissions.

** En Australie - Nos produits sont livrés avec des garanties qui ne peuvent pas être exclues d'après les droits de la consommation australiens. Vous pouvez obtenir un remplacement ou un remboursement en cas de défaillance majeure ou en compensation de toute perte ou de tout dommage survenu dans le cadre des conditions raisonnablement prévisibles d'utilisation du produit. Vous pouvez également bénéficier de la réparation ou du remplacement des produits si la qualité de ces derniers n'est pas acceptable et si le défaut n'entraîne pas de défaillance majeure. Pour trouver le distributeur autorisé le plus proche afin d'obtenir les services couverts par la garantie, veuillez consulter notre carte de localisation de distributeur sur [insérer l'adresse du site Web], composer le 1300 274 447, ou envoyer une demande par voie électronique à l'adresse salesenquires@briggsandstratton.com.au, Briggs & Stratton Australia Pty Ltd, 1 Moorebank Avenue, NSW, Australie, 2170.

La période de garantie commence à la date de l'achat par l'acheteur au détail ou commercial, initial. « Utilisation grand public » fait référence à un emploi dans une résidence individuelle par un particulier. « Utilisation commerciale » indique toutes les autres utilisations possibles, y compris commerciales, créatrices de revenus ou locatives. Une fois l'équipement utilisé à des fins commerciales, il est considéré comme un produit d'utilisation commerciale dans le cadre de cette garantie.

Afin d'assurer une couverture totale et rapide de la garantie, enregistrez votre produit sur le site Web indiqué ci-dessus ou sur www.onlineproductregistration.com.

Conservez votre reçu d'achat comme preuve. Si vous n'avez pas de preuve de la date de l'achat initial au moment de la demande d'un service en vertu de la garantie, la date de fabrication du produit sera utilisée pour déterminer la période de garantie. L'enregistrement du produit n'est pas requis pour obtenir un service en vertu de la garantie pour les produits Briggs & Stratton.

AU SUJET DE LA GARANTIE

Un service en vertu de la garantie n'est disponible que par l'intermédiaire des distributeurs autorisés Briggs & Stratton. Parfois, les demandes de réparations dans le cadre de la garantie peuvent ne pas être pertinentes. La présente garantie couvre uniquement les vices de matériaux ou de fabrication. Elle ne couvre pas les dommages causés par une utilisation impropre ou un abus, un entretien ou des réparations impropres, l'usure normale ou du carburant éventé ou non approuvé.

Utilisation inappropriée ou emploi abusif – L'emploi approprié comme il est prévu pour ce produit est décrit dans le mode d'emploi. L'utilisation du produit d'une façon non décrite dans le manuel d'utilisation ou l'emploi du produit après qu'il a été endommagé a pour effet d'annuler la garantie. Vous ne pourrez vous prévaloir de la garantie si le numéro de série du produit a été retiré, si le produit a été modifié d'une manière quelconque ou s'il présente des preuves d'utilisation abusive, telles que des marques de coups ou de corrosion par l'eau ou des produits chimiques.

Réparation ou entretien inapproprié – Ce produit doit être entretenu selon les procédures et les programmes d'entretien décrits dans le manuel de l'utilisateur. En outre, il doit être dépanné ou réparé en utilisant des pièces d'origine Briggs & Stratton ou des pièces équivalentes. Les dommages causés par un manque d'entretien ou l'utilisation de pièces n'étant pas d'origine, ne sont pas couverts par la garantie.

Usure normale – Comme tous les appareils mécaniques, votre machine est sujette à l'usure même en cas d'entretien approprié. Cette garantie ne couvre pas la réparation de pièces ou d'équipements usés par un usage normal. Les articles d'entretien et d'usure, tels que filtres, courroies, lames et plaquettes de freins (les plaquettes de frein moteur sont couvertes) ne sont pas couverts par la garantie, uniquement en raison de leur caractéristique d'usure, à moins que la cause ne soit due à des vices de matériaux ou de fabrication.

Essence éventée – Pour fonctionner correctement, ce produit nécessite une essence fraîche qui soit conforme aux critères spécifiés dans le manuel d'utilisation. Les dommages causés par de l'essence éventée ou l'utilisation de carburant inapproprié (comme les mélanges d'éthanol E15 ou E85) ne sont pas couverts par la garantie.

Autres exclusions – Cette garantie ne couvre pas les dégâts dus à des accidents, des abus, des modifications, des altérations ou un entretien incorrect, ni les détériorations provoquées par le gel ou par une agression chimique. Les pièces ou accessoires rattachés ne faisant pas partie du conditionnement d'origine du produit ne sont également pas couverts. La garantie ne s'applique pas dans le cas d'un équipement utilisé comme source d'alimentation primaire à la place de l'alimentation secteur ou en ce qui concerne un équipement utilisé dans des applications médicales. Cette garantie ne comporte pas les moteurs ou équipement de démonstration, usagés, d'occasion ou remis à neuf. Cette garantie ne couvre pas les détériorations provoquées par des catastrophes naturelles ou autres cas de force majeure dépassant le contrôle des fabricants.

80004552FR (Rév -)

Californie, US Environmental Protection Agency (USEPA) et Énoncé de garantie du dispositif antipollution de Briggs & Stratton Corporation

Vos droits et obligations relatifs à la garantie

Pour les modèles de moteur Briggs & Stratton avec désignation de coupe « F » (Représentation Modèle – Type – Coupe xxxxxx xxxx Fx)

Le California Air Resources Board (CARB), l'USEPA et Briggs & Stratton (B&S) ont le plaisir d'expliquer la garantie du dispositif antipollution de votre moteur/équipement de l'année 2016-2018. En Californie, les nouveaux petits moteurs hors route et les gros moteurs à explosion de cylindrée de moins de ou égal à 1,0 litre doivent être conçus, fabriqués et équipés pour satisfaire les normes sévères anti-smog de l'état. B&S doit garantir le dispositif antipollution de ce moteur/matériel pendant la durée indiquée ci-dessous sous réserve de l'absence d'abus, négligence ou mauvais entretien de ce petit moteur hors route.

Votre dispositif antipollution peut comprendre des pièces comme le carburateur ou le système d'injection de combustible, le système d'allumage et le convertisseur catalytique. Il peut aussi y avoir des tuyaux, des courroies, des connecteurs, des capteurs et d'autres dispositifs en rapport avec les émissions. Le système de contrôle de l'évaporation de carburant peut comprendre des pièces telles que : les carburateurs, les réservoirs d'essence, les canalisations d'essence, les bouchons d'essence, les soupapes, les filtres, les carters, les boyaux d'évaporation, les attaches, les raccords et autres composants associés.

Dans le cas d'un défaut couvert par la garantie, B&S réparera votre petit moteur hors route/ votre matériel sans frais et ce, incluant le diagnostic, les pièces et la main d'œuvre.

Couverture de garantie du fabricant :

Les petits moteurs hors route et les gros moteurs à explosion de cylindrée de moins de ou égal à 1,0 litre, et tous les composants liés aux émissions de cet équipement, sont garantis pour deux ans, ou pendant la période figurant sur le certificat de garantie respectif du moteur ou du produit si elle est supérieure à deux ans. Si une pièce antipollution du moteur/matériel B&S couverte par la garantie est défectueuse, B&S la réparera ou la remplacera.

Responsabilités du propriétaire dans le cadre de la garantie :

- En tant que propriétaire de petit moteur/matériel hors route, vous êtes responsable de l'exécution de l'entretien requis indiqué dans le manuel d'utilisation. B&S recommande de conserver tous les reçus en rapport avec l'entretien du petit moteur/matériel hors route ; toutefois, B&S ne peut refuser la garantie uniquement parce que vous êtes dans l'impossibilité de produire les reçus ou que vous n'avez pas effectué toutes les étapes de l'entretien prévu.
- Néanmoins, vous devez savoir, en tant que propriétaire de petit moteur/matériel hors route, que B&S peut refuser le bénéfice de la garantie si votre moteur/matériel, ou une pièce, est défaillant en raison d'abus, de négligence, d'entretien inadéquat ou de modifications non approuvées.
- Dès qu'un problème survient, vous avez la responsabilité de faire examiner votre moteur de génératrice ou matériel dans un centre de distribution B&S, un centre de services ou une entité équivalente, selon le cas. Les réparations couvertes par la garantie doivent être effectuées dans un délai raisonnable, n'excédant pas 30 jours. Si vous avez des questions au sujet de vos droits et responsabilités liés à la garantie, veuillez communiquer avec un représentant de Briggs & Stratton au 1-800-444-7774 (aux É.-U.) ou BRIGGSandSTRATTON.COM.

Dispositions de la garantie contre les défauts du dispositif antipollution de Briggs & Stratton

Ce qui suit sont les dispositions spécifiques relatives à votre couverture de garantie des émissions. Elle est un ajout à la garantie sur les moteurs de B&S pour les moteurs non régulés, figurant dans le manuel d'utilisation.

1. Pièces d'émissions garanties

La couverture de cette garantie n'englobe que les pièces énumérées ci-dessous (pièces du dispositif antipollution) dans la mesure où ces pièces étaient présentes sur le moteur B&S et/ou sur le système d'alimentation B&S fourni.

a. Système de contrôle d'alimentation en carburant

- Dispositif d'enrichissement pour démarrage à froid (étrangleur à glissement)
- Carburateur ou le système d'injection de combustible
- Sonde d'oxygène
- Unité de commande électronique
- Module de pompe à carburant
- Conduit d'essence, raccords de conduit d'essence, brides de serrage
- Réservoir d'essence, bouchon et attache
- Absorbant de vapeurs d'essence

b. Circuit d'entrée d'air

- Filtre à air
- Collecteur d'admission
- Ligne de purge et d'évacuation

c. Système d'allumage

- Bougie(s) d'allumage
- Système d'allumage à magnéto

d. Système de catalyseur

- Convertisseur catalytique
- Collecteur d'échappement
- Système d'injection d'air ou soupape d'impulsion

e. Éléments divers utilisés dans les systèmes précédemment mentionnés

- Soupapes et interrupteurs de dépression, de température, de position, à délai critique
- Connecteurs et dispositifs

2. Durée de la couverture

La couverture est d'une période de deux ans à compter de la date de l'achat initial, ou pendant la période figurant sur le certificat de garantie respectif du moteur ou du produit si elle est supérieure à deux ans. B & S garantit à l'acheteur original et à chaque acquéreur subséquent, que le moteur est conçu, fabriqué, et équipé de manière à se conformer à toutes les réglementations applicables adoptées par le Air Resources Board, qu'il est

exempt de vices de fabrication et de matériaux qui pourraient causer la défaillance d'une pièce sous garantie, et qu'il est identique à tous égards au moteur décrit dans la demande de certification du fabricant. La période de garantie commence à la date d'achat initial du moteur.

La garantie sur les pièces antipollution est la suivante :

- Toute pièce couverte par la garantie dont le remplacement n'est pas planifié dans le cadre de l'entretien obligatoire décrit dans le manuel d'utilisation fourni est garantie pendant la période indiquée ci-dessus. Si une telle pièce fait défaut pendant la période de couverture de la garantie, la pièce sera réparée ou remplacée par B&S sans frais pour le propriétaire. Cette pièce réparée ou remplacée dans le cadre de la garantie restera garantie pendant la période de garantie restant à courir.
- Toute pièce couverte par la garantie dont seul l'examen est planifié dans le manuel d'utilisation fourni est garantie pendant la période indiquée ci-dessus. Cette pièce réparée ou remplacée dans le cadre de la garantie restera garantie pendant la période de garantie restant à courir.
- Toute pièce couverte par la garantie dont le remplacement fait partie de l'entretien obligatoire dans le manuel d'utilisation est garantie pendant la période précédant le premier point de remplacement prévu pour cette pièce. Si la pièce fait défaut avant le remplacement prévu, la pièce sera réparée ou remplacée par B&S sans frais pour le propriétaire. Toute pièce réparée ou remplacée en vertu de la garantie sera garantie pendant la durée restant à courir de la période précédant le premier point de remplacement prévu pour la pièce.
- Les pièces ajoutées ou modifiées ne faisant pas l'objet d'une exemption par Air Resources Board ne doivent pas être utilisées. L'utilisation de pièces ajoutées ou modifiées qui ne font pas l'objet d'une exemption, sera une cause de refus de demande de garantie. Il n'est pas de la responsabilité du fabricant de garantir les défauts des pièces garanties causées par l'utilisation de pièces ajoutées ou modifiées qui ne font pas l'objet d'une exemption.

3. Protection consécutive

La couverture s'étend à toute défaillance de l'un des composants du moteur consécutive à la défectuosité d'une des pièces garanties encore couverte par la garantie.

4. Exclusions de demande et de protection

Les demandes de garantie doivent être déposées conformément aux dispositions prévues de la garantie B&S du moteur. La protection de garantie ne s'applique pas aux défaillances de pièces de contrôle d'émissions qui ne sont des pièces d'équipement d'origine B&S, ni aux défaillances de pièces causées par l'abus, la négligence ou le mauvais entretien tels qu'énoncés dans les provisions de garantie B&S du moteur. B&S n'est pas responsable de la couverture sous garantie du dysfonctionnement des pièces antipollution provoqué par l'utilisation de pièces supplémentaires ou modifiées.

Consulter l'information concernant la période de durabilité des émissions et l'indice d'air sur l'étiquette d'émissions de votre petit moteur hors-route

Les renseignements concernant la période de durabilité des émissions et l'indice de pollution atmosphérique doivent être fournis avec les moteurs qui répondent aux normes relatives aux émissions de la California Air Resources Board (CARB). Briggs & Stratton rend cette information disponible aux consommateurs sur les étiquettes des émissions. L'étiquette des émissions du moteur fournit des renseignements sur la certification.

La période de durabilité des émissions décrit le nombre d'heures pendant lesquelles le moteur peut fonctionner en respectant les normes relatives aux émissions, en supposant que l'entretien est effectué conformément au Calendrier d'entretien. Les catégories utilisées sont les suivantes :

Modéré :

Les cylindrées de 80 cc ou moins sont certifiées conformes aux normes d'émissions pour 50 heures réelles de fonctionnement du moteur. Les cylindrées de plus de 80 cc sont certifiées conformes aux normes d'émissions pour 125 heures réelles de fonctionnement du moteur.

Intermédiaire :

Les cylindrées de 80 cc ou moins sont certifiées conformes aux normes d'émissions pour 125 heures réelles de fonctionnement du moteur. Les cylindrées de plus de 80 cc sont certifiées conformes aux normes d'émissions pour 250 heures réelles de fonctionnement du moteur.

Prolongé :

Les cylindrées de 80 cc ou moins sont certifiées conformes aux normes d'émissions pour 300 heures réelles de fonctionnement du moteur. Les cylindrées de plus de 80 cc sont certifiées conformes aux normes d'émissions pour 500 heures réelles de fonctionnement du moteur.

Par exemple, une tondeuse typique à pousser est utilisée de 20 à 25 heures par année. Par conséquent, la **période de durabilité des émissions d'un moteur de catégorie intermédiaire équivaut à une période de 10 à 12 années.**

Les moteurs Briggs & Stratton sont certifiés conformes aux normes de phase 2 ou phase 3 sur les émissions de l'USEPA (United States Environmental Protection Agency). La période de conformité des émissions indiquée sur l'étiquette de conformité des émissions indique le nombre d'heures de fonctionnement pendant lesquelles le moteur a démontré qu'il respectait les exigences fédérales en matière d'émissions.

Pour les moteurs de 80 cc ou moins de cylindrée :

Catégorie C = 50 heures, Catégorie B = 125 heures, Catégorie A = 300 heures

Pour les cylindrées de plus de 80 cc et de moins de 225 cc :

Catégorie C = 125 heures, Catégorie B = 250 heures, Catégorie A = 500 heures

Pour les moteurs de 225 cc ou plus :

Catégorie C = 250 heures, Catégorie B = 500 heures, Catégorie A = 10 000 heures

80008256FR (Rev E)

