

## WARRANTY

---

### 5-YEAR LIMITED WARRANTY

This 80 V Lithium-Ion snow shovel is warranted to the original purchaser from the original purchase date for five (5) years subject to the warranty coverage described herein.

This 80 V Lithium-Ion snow shovel is warranted for the original user to be free from defects in material and workmanship.

If you believe that the 80 V Lithium-Ion snow shovel is defective at any time during the specified warranty period, simply return the 80 V Lithium-Ion snow shovel along with proof of purchase to the place of purchase for a free replacement or refund, or call **1-888-3KOBALT** (1-888-356-2258) for warranty service.

This warranty is void if: defects in materials or workmanship or damages result from repairs or alterations which have been made or attempted by others or the unauthorized use of nonconforming parts; the damage is due to normal wear, damage is due to abuse (including overloading of the tool beyond capacity), improper maintenance, neglect or accident; or the damage is due to the use of the tool after partial failure or use with improper accessories or unauthorized repair or alteration.

This warranty gives you specific legal rights, and you may also have other rights that vary from state to state.

## Kobalt battery

### 3-YEAR LIMITED WARRANTY

This Kobalt battery is warranted to the original purchaser from the original purchase date for three (3) years subject to the warranty coverage described herein.

This Kobalt battery is warranted for the original user to be free from defects in material and workmanship.

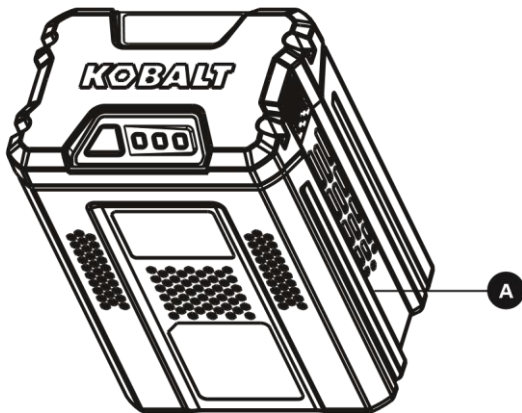
If you believe that the Kobalt battery is defective at any time during the specified warranty period, simply return the Kobalt battery along with proof of purchase to the place of purchase for a free replacement or refund, or call 1-888-3KOBALT (1-888-356-2258) for warranty service.

This warranty is void if: Defects in materials or workmanship or damages result from repairs or alterations which have been made or attempted by others or the unauthorized use of nonconforming parts; the damage is due to normal wear, damage is due to abuse (including overloading of the tool beyond capacity), improper maintenance, neglect or accident; or the damage is due to the use of the tool after partial failure or use with improper accessories or unauthorized repair or alteration.

This warranty gives you specific legal rights, and you may also have other rights that vary from state to state.

### REPLACEMENT PARTS LIST

For replacement parts, or if you have any questions or issues with this product or would like to speak to a Kobalt product expert, please call our customer service department at 1-888-3KOBALT (1-888-356-2258), 8 a.m. - 8 p.m., EST, Monday - Friday.



PART	DESCRIPTION	PART#
A	80 V Battery	211021020

Printed in China

## WARRANTY

### Kobalt charger

#### 3-YEAR LIMITED WARRANTY

This Kobalt charger is warranted to the original purchaser from the original purchase date for three (3) years subject to the warranty coverage described herein.

This Kobalt charger is warranted for the original user to be free from defects in material and workmanship.

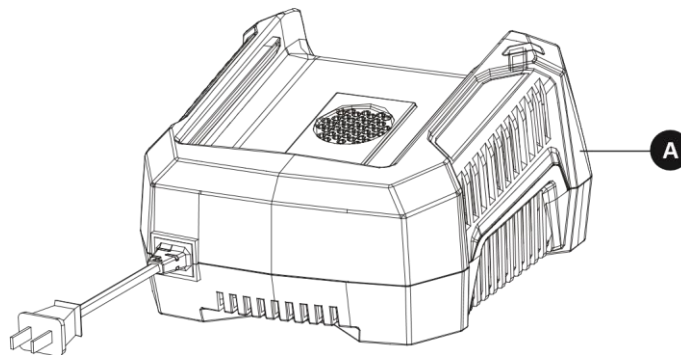
If you believe that the Kobalt charger is defective at any time during the specified warranty period, simply return the Kobalt charger along with proof of purchase to the place of purchase for a free replacement or refund, or call 1-888-3KOBALT (1-888-356-2258) for warranty service.

This warranty is void if: defects in materials or workmanship or damages result from repairs or alterations which have been made or attempted by others or the unauthorized use of nonconforming parts; the damage is due to normal wear, damage is due to abuse (including overloading of the tool beyond capacity), improper maintenance, neglect or accident; or the damage is due to the use of the tool after partial failure or use with improper accessories or unauthorized repair or alteration.

This warranty gives you specific legal rights, and you may also have other rights that vary from state to state.

#### REPLACEMENT PARTS LIST

For replacement parts, or if you have any questions or issues with this product or would like to speak to a Kobalt product expert, please call our customer service department at 1-888-3KOBALT (1-888 - 356-2258), 8 a.m. - 8 p.m., EST, Monday - Friday.



PART	DESCRIPTION	PART#
A	80 V Charger	211011222

Printed in China