



Utilitech® is a registered trademark of LF, LLC. All Rights Reserved.

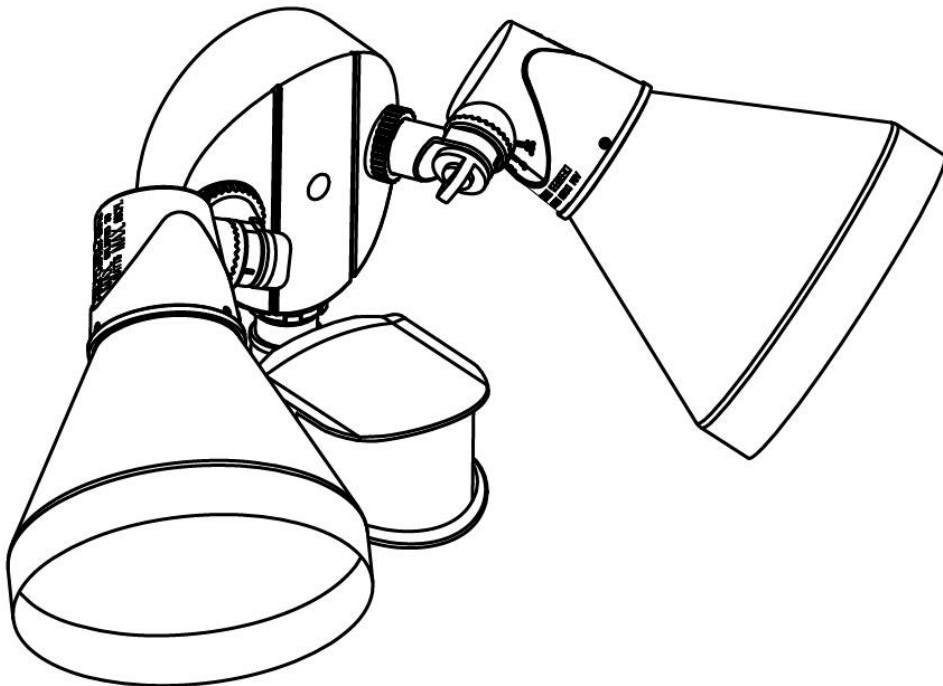
ITEM #0803989
0803991

MOTION-ACTIVATED FLOODLIGHT

MODEL # 6211W-PIR26B
6211BZ-PIR26B

Français p. 14

Español p. 29



ATTACH YOUR RECEIPT HERE

Serial Number _____

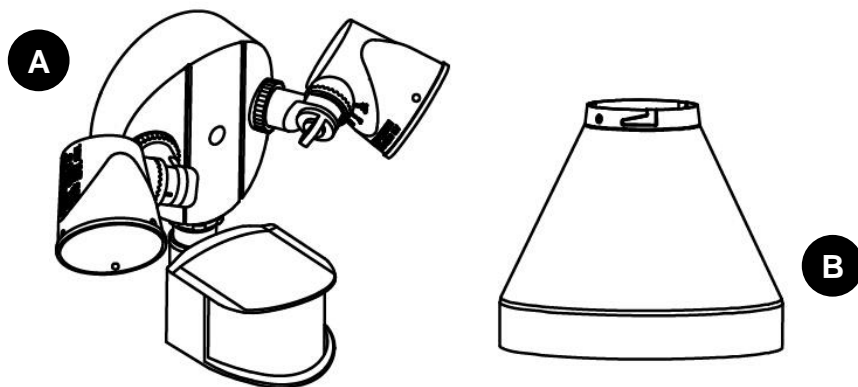
Purchase Date _____



Questions, problems, missing parts? Before returning to your retailer, call our customer service department at 1-866-994-4148, 8 a.m. – 6 p.m., EST, Monday – Thursday, 8 a.m. - 5 p.m., EST, Friday.

AB1715

PACKAGE CONTENTS



PART	DESCRIPTION	QUANTITY
A	Fixture	1
B	Reflector	2

HARDWARE CONTENTS

AA



Crossbar Screw

Qty. 2

BB



Wire Nut

Qty. 2

CC



Mounting
Screw Cap

Qty. 1

⚠ SAFETY INFORMATION

Please read and understand this entire manual before attempting to assemble, operate or install the product.

WARNING

- This light fixture is designed to fit standard junction boxes as defined by the National Electrical Code.
- To prevent electric shock, ensure that the power is disconnected before installation.
- Consult a qualified electrician if you are not certain about the installation process. Always install wiring connections in accordance with local code, ordinances and the National Electric Code.
- Changes or modifications to this unit not expressly approved by the party responsible for compliance could void the user's authority to operate the equipment.
- After turning on the switch, temperature of bulb rises gradually. Do not touch bulb with bare hands until bulbs have completely cooled. When changing the bulb, first turn off the power and allow the bulb to completely cool.
- The bulb must not exceed the specified wattage.
- To control the floodlight manually, the control must be wired through a switch.

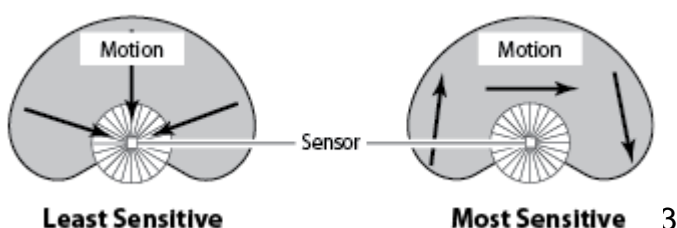
NOTICE: This equipment has been tested and found to comply with the limits for a Class B digital device, pursuant to Part 15 of the FCC Rules. These limits are designed to provide reasonable protection against harmful interference in a residential installation. This equipment generates, uses and can radiate radio frequency energy and, if not installed and used in accordance with the instructions, may cause harmful interference to radio communications. However, there is no guarantee that interference will not occur in a particular installation. If this equipment does cause harmful interference to radio or television reception, which can be determined by turning the equipment off and on, the user is encouraged to try to correct the interference by one or more of the following measures:

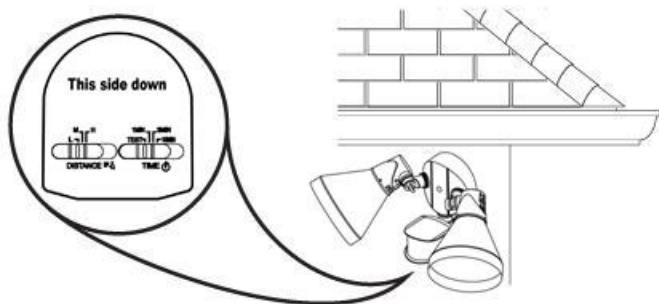
- Reorient or relocate the receiving antenna.
- Increase the separation between the equipment and receiver.
- Connect the equipment into an outlet on a circuit different from that to which the receiver is connected.
- Consult the dealer or an experienced radio/TV technician for help.

⚠ INSTALLATION INFORMATION

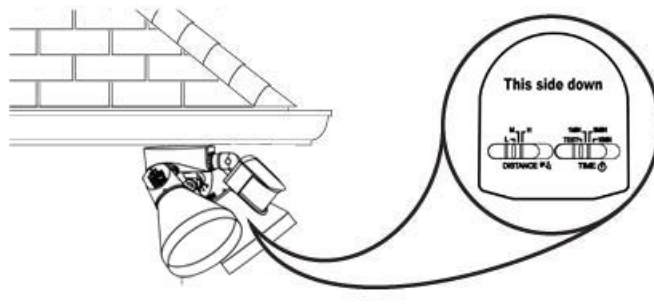
- **CAUTION:** To avoid water damage and the risk of electrical shock, the motion sensor controls must be facing the ground when the installation is complete.
- **NOTE:** Do not connect this light fixture to a dimmer switch or timer.
- **NOTE:** Do not install motors, transformers, or fluorescent light fixtures on the same circuit with the fixture.
- **NOTE:** This fixture is designed for outdoor installation and should be mounted to a wall or eaves.

The detector is less sensitive to motion directly toward it and more sensitive to crossways motion.





Wall Mount



Eave Mount

Note: Light fixture and sensor should be mounted as shown above when installed, depending on type of installation.

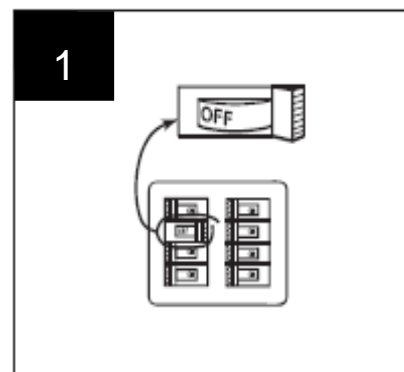
PREPARATION

Before beginning to assemble or install lighting fixture, make sure all parts are present. Compare parts with package contents list and hardware contents list. If any part is missing or damaged, do not attempt to assemble the product.

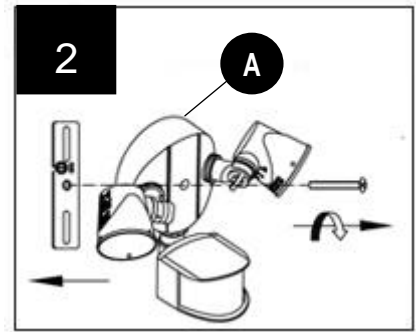
- **Estimated Assembly Time: 20 - 40 minutes** (Installation time will vary depending on skill level and existing wiring conditions. Estimated installation time assumes standard wall junction box and supply wiring are already installed).
- Tools Required for Assembly (not included): Phillips screwdriver, flathead screwdriver, silicone caulking adhesive.
- Helpful Items (not included): step ladder.
- **NOTE:** This fixture can only be installed on a wall or ceiling.
- It is recommended to install this fixture at a height of 8 - 10 ft.

ASSEMBLY INSTRUCTIONS

1. Turn OFF power to work area at main circuit breaker or fuse box.
CAUTION: Do not rely on wall switch alone to turn off power.




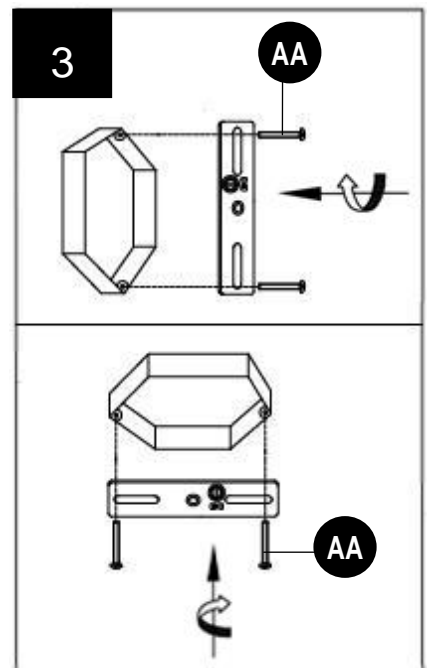
- Remove the crossbar from the fixture (A) by screwing the screw pre-assembled in A.



- Attach crossbar to junction box (not included) with the two crossbar screws (AA).


Hardware Used

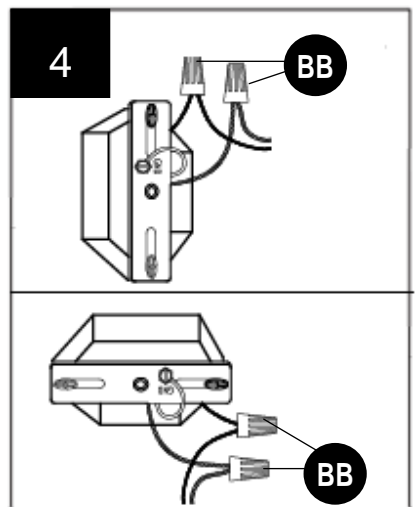
- AA** Crossbar Screw  x 2



- Connect ground wire from the outlet box to the ground screw on the crossbar. Connect white wire from the outlet box to the white wire from the fixture by twisting a wire nut (BB) onto bare ends of the wires. Connect the black wire from the outlet box to the black wire from the fixture by twisting a wire nut (BB) onto the bare ends of the wires.

Hardware Used

- BB** Wire Nut  x 2



5. Make sure wire connections are secure. Carefully place wires into junction box. Position the fixture (A) cover plate over the crossbar.


Note: Put the long mounting screw removed in Step 2 through the center hole and into the crossbar and tighten the screw until secure. Insert mounting screw cap (CC) into mounting screw hole. DO NOT overtighten.

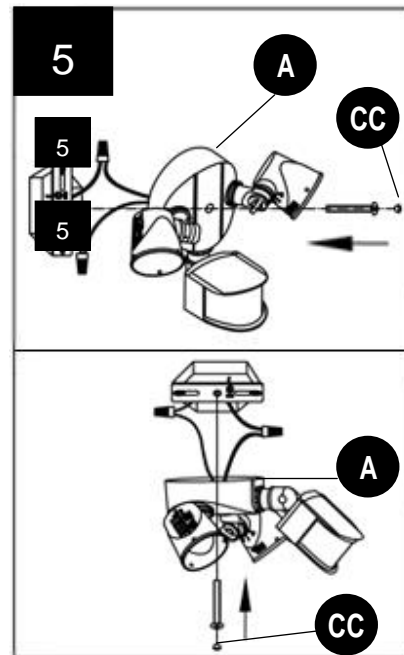
IMPORTANT:

If wall mounted, make sure the fixture is mounted with the sensor below the lamp heads.

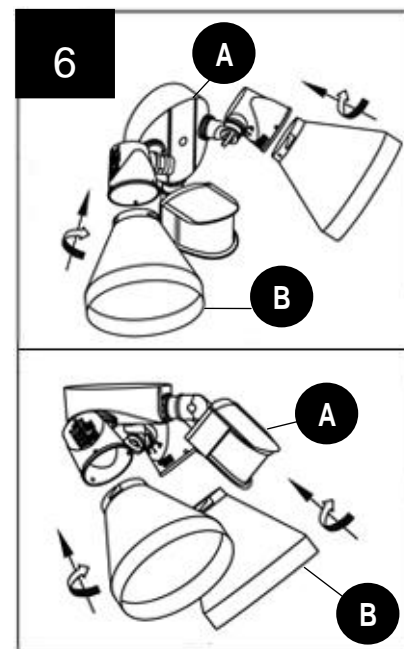
If eave mounted, rotate the sensor 180° so the controls face the ground.

Hardware Used

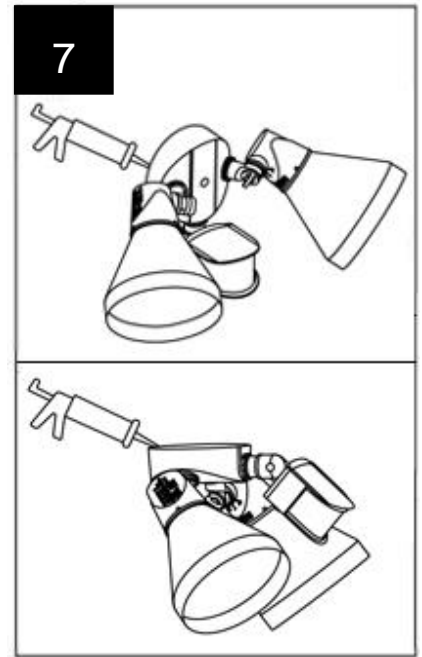
- CC** Mounting screw cap  x 1



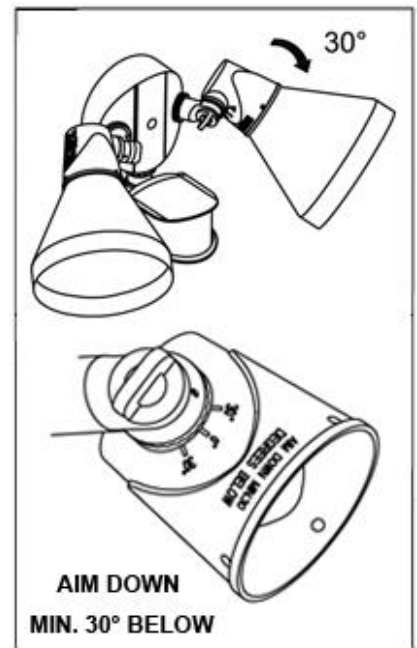
6. Align the slots on the reflector (B) on the fixture body. Turn the reflector clockwise until it locks into place.



7. After mounting the fixture, apply silicone caulking compound completely around the perimeter of the cover plate where the back of the cover plate meets the mounting surface. Silicone caulking prevents water from seeping into the junction box.



Note: The lamp head should be rotated downward 30° after wall mounting to avoid water damage.



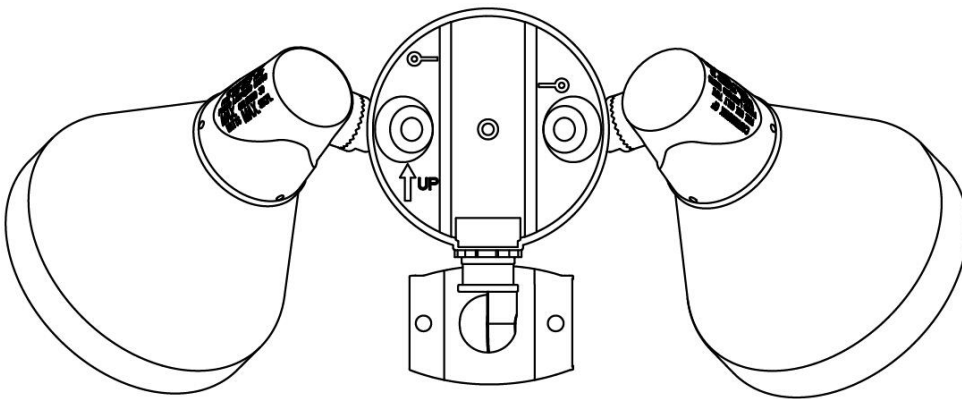
Note: Use only type PAR38 lamps (PAR38, PAR38 CFL, PAR38 LED).



CAUTION: To avoid water damage and the risk of electrical shock, the motion sensor controls must be facing the ground when installation is complete.



CAUTION: Ensure fixture is mounted on wall as indicated by icon in lamp base. Do not mount UPSIDE DOWN to avoid water damage!



Installation is now complete. Turn on power at circuit breaker and flip wall switch to ON position. Wall switch must remain in the ON position for the motion detector to work properly.

OPERATING INSTRUCTIONS

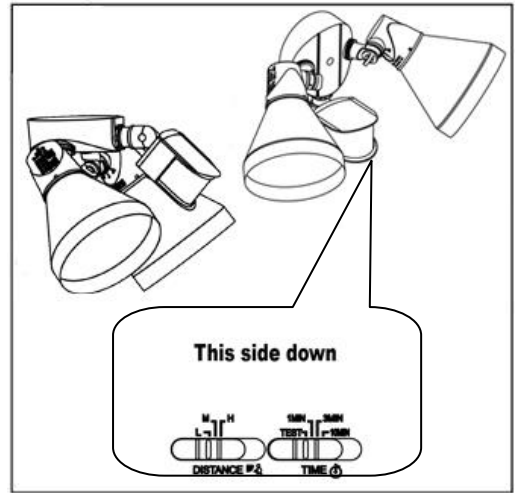
SENSOR SETTING

Mode	TIME Setting	DISTANCE Setting	Description
TEST	TEST	Any setting.	The sensor will detect movement and the light will activate regardless of time of day. After movement has stopped or left the coverage area, the light will remain on for about 5 seconds, then turn off.
SECURITY (DISTANCE)	1	Adjust the "DISTANCE" to the L, M, H. In default H	At dusk, the motion sensor becomes active. Any movement within the coverage area will cause the light to

	3	setting, the fixture will detect the max range, APROX 70 ft.	turn on. After movement has stopped, the light will remain on for the preset time limit of 1, 3 or 10 minutes, then turn off. The motion sensor will remain active throughout the night. At dawn, the motion sensor will deactivate and remain deactivated throughout the day. Movement will not cause the light to turn on.
	10 MIN	L: Up to 20-30 ft. M: Up to 40-50 ft. H: Up to 60-70 ft.	

NOTE:

1. The sensor has a 14 second warm up period before it will detect motion. When turned on, please wait 14 seconds.
2. If motion is continuously detected during the fixture's "ON" cycle, the light will remain on for the preset time limit of 1, 3 or 10 minutes, then turn off.

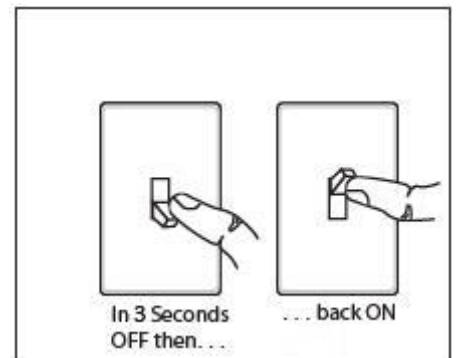


3. Manual Override: Force the fixture to override the TEST, SECURITY mode so the light will stay on. Turn the light on manually from the wall switch. With the fixture already in the ON position, continuous flip the wall switch off and then back on in 3 seconds.

There are two ways to revert back to the previous mode:

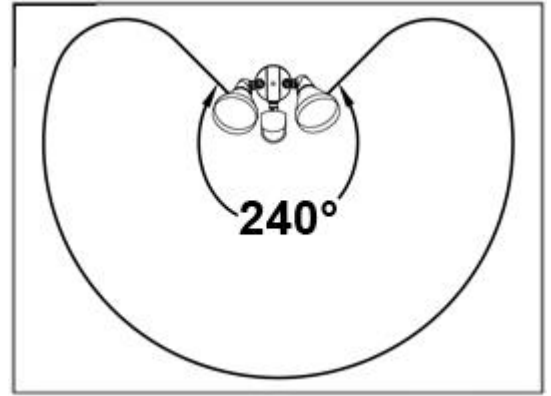
Once again flip the wall switch off, wait for 10 seconds and then back on.

If you leave the light on, the light will stay on for about 6 hours.



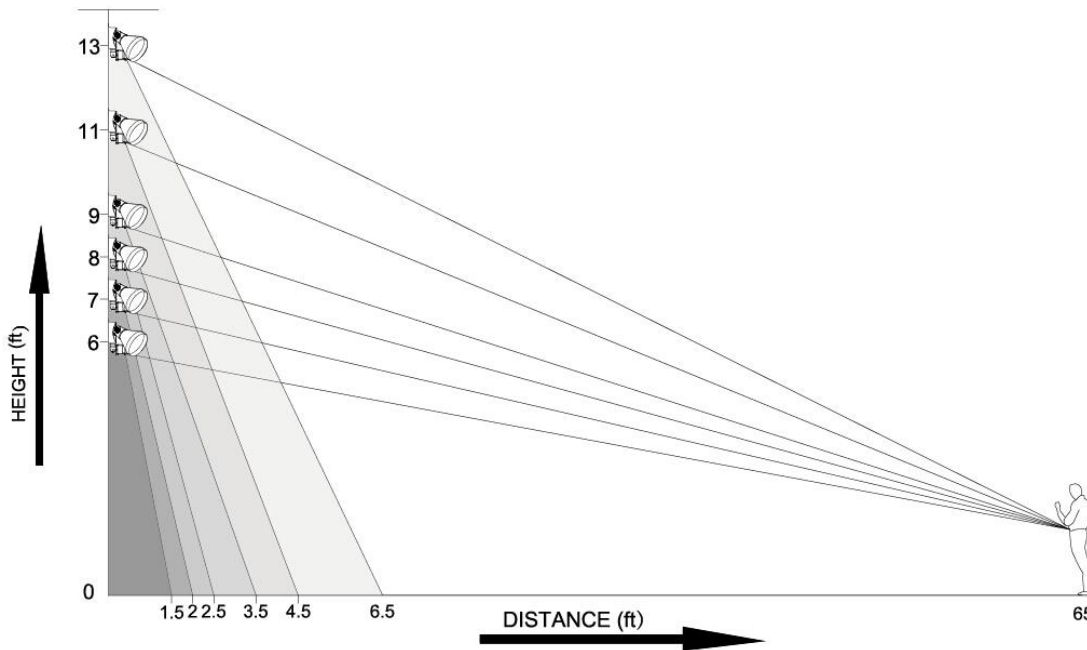
COVERAGE AREA

The motion detector has a coverage area of about 240°. When the light (A) is first installed, you must aim the detector head to cover the desired area.



DISTANCE

To achieve max distance, the sensor angle will need to be adjusted according to the height at which the fixture is installed.



Assembly Height (ft.)	6	7	8	9	11	13
Recommend Sensor Angle	89°	87°	85°	80°	79°	74°
Dead Zone (ft.) (Dash area)	1.5	2	2.5	3.5	4.5	6.5
Max Distance (ft.)	65	65	65	65	65	65

NOTE:

1. The assembly height, sensor angle, and other data are the same for both wall and eave mount installations.
2. At an ambient temperature of 77°F, the detection distance is at max. 65 ft. As the temperature increases or decreases, the detection distance will be reduced.

TESTING AND ADJUSTMENTS

1. Turn on the wall switch.
2. Switch to TEST position.
3. Walk through the coverage area noting where you are when the fixture turns on. Also, the indicator light will flash several times when motion is detected.

4. If needed, adjust the motion sensor to change the detection zone.
5. If needed, adjust the lamp heads to change the light coverage area.
6. If you need to change the sensitivity, set the DISTANCE switch to desired position (L, M or H). DISTANCE set too high may increase false trigger.
7. Finally, change the time setting to the amount of time the fixture should remain on after motion is detected (1 min., 3 min., or 10 min.).

IMPORTANT CONSIDERATIONS

Avoid aiming the sensor at:

1. Objects that might produce heat and may cause false triggers, such as:

- Pools of water
- Air conditioners
- Animals
- Automobile traffic
- Heating vents
- Dryer vents

2. Objects that may reflect light at the sensor, triggering the shut-off feature. Do not aim the sensor at other lights, or aim other lights at the sensor.

TROUBLESHOOTING

PROBLEM	POSSIBLE CAUSE	CORRECTIVE ACTION
The lights do not come on.	<ol style="list-style-type: none"> 1. The light switch is turned off. 2. The bulb is loose or burned out. 3. The fuse is blown or the circuit breaker is turned off. 4. Daylight turn-off is in effect. 5. The wiring is incorrect (new installations). 6. The sensor is not covering the area adequately. 7. The lamp head hasn't been rotated 30° downward after wall mounting. 	<ol style="list-style-type: none"> 1. Turn the light switch on. 2. Re-tighten or replace the bulb. 3. Replace the fuse or turn on the circuit breaker. 4. Re-check after dark. 5. Re-check the wiring. 6. Re-aim the sensor to cover desired area. 7. Rotate the lamp head 30° downward and change the bulb.
The lights come on during the daylight.	<ol style="list-style-type: none"> 1. The light control may be installed in a relatively dark location. 2. The light control is in TEST mode. 	<ol style="list-style-type: none"> 1. Move the light to a brighter location during the daylight hours. 2. Set the control switch to the TIME position.

<p>The lights come on for no apparent reason.</p>	<ol style="list-style-type: none"> 1. The light control may be sensing small animals or automobile traffic. 2. The range is set too high. 3. The light control is in MANUAL mode. 	<ol style="list-style-type: none"> 1. Reposition the lamp away from the sensor or nearby objects. 2. Reposition the sensor. 3. Revert back to the sensor mode.
<p>The lights flash on and off.</p>	<ol style="list-style-type: none"> 1. Heat or light from the lamps may be turning the light control on and off. 2. Heat being reflected from other objects may be affecting the sensor. 3. The light control is in the TEST mode and warming up. 4. The light may be leaking through the flood lamp 	<ol style="list-style-type: none"> 1. Reposition the lamps away from the sensor. 2. Reposition the sensor. 3. Flashing is normal under these conditions. 4. Make sure the metal lamp protectors are installed.

CARE AND MAINTENANCE

To clean, turn OFF all power to circuit and clean surfaces with a mild, non-abrasive cleaner.

⚠ CAUTION: Turn OFF all power to circuit at main circuit breaker or fuse box. DO NOT rely on wall switch alone to turn off power.

To make sure the fixture functions properly, always keep the wall switch in the “ON” position (including the daytime).

WARRANTY

FIVE-YEAR LIMITED WARRANTY

If this product fails due to a defect in materials or workmanship within five (5) years from the date of purchase, return it along with proof of date of purchase and it will be replaced with the same or comparable model free of charge.

This warranty is void if damage or defect has resulted from accident, abuse, misuse or faulty repair. This warranty gives you specific legal rights and you may have other rights that vary from state to state.

IN NO EVENT WILL LIABILITY EXTEND TO ANY CONSEQUENTIAL, SPECIAL, INCIDENTAL OR INDIRECT DAMAGES OF ANY KIND ARISING OUT OF THE USE OR MISUSE OF THIS PRODUCT. SOME STATES DO NOT ALLOW THE EXCLUSION OR LIMITATION OF INCIDENTAL OR CONSEQUENTIAL DAMAGES SO THE ABOVE EXCLUSION OR LIMITATION MAY NOT APPLY TO YOU.

REPLACEMENT PARTS LIST

For replacement parts, call our customer service department at 1-866-994-4148, 8 a.m. - 6 p.m., EST, Monday - Thursday, 8 a.m. - 5 p.m., EST, Friday.

PART	DESCRIPTION	PART#
AA	Crossbar Screw	0803989-AA 0803991-AA
BB	Wire Nut	0803989-BB 0803991-BB
CC	Mounting Screw Cap	0803989-CC 0803991-CC



Printed in China

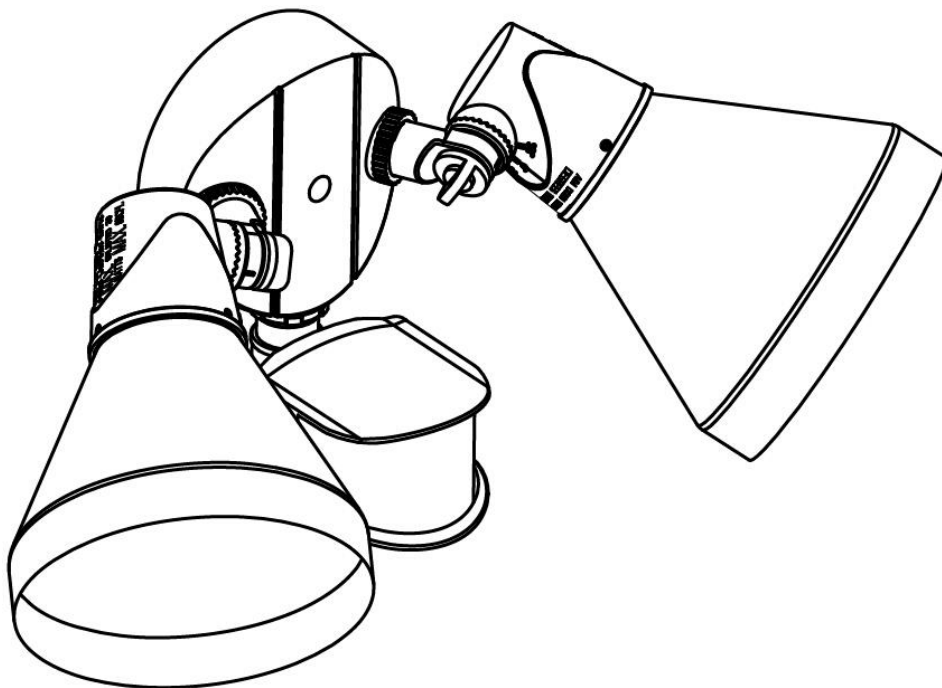
Utilitech® est une marque de commerce déposée de LF, LLC. Tous droits réservés.

PROJECTEUR

ACTIVÉ PAR LE MOUVEMENT

MODÈLE # 6211W-PIR26B

6211BZ-PIR26B



JOIGNEZ VOTRE REÇU ICI

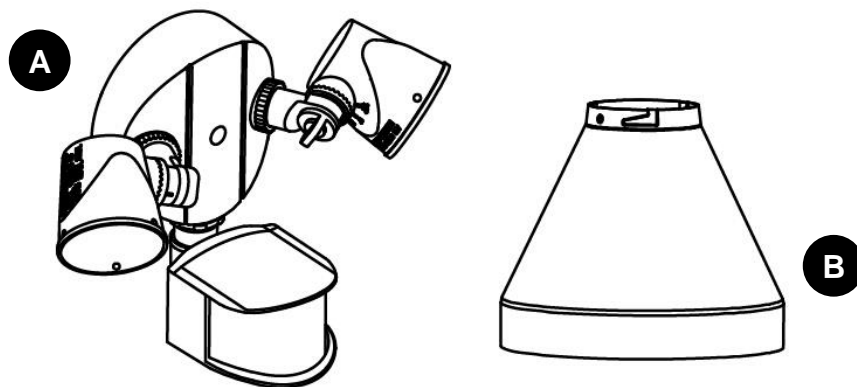
Numéro de série _____

Date d'achat _____



Des questions, des problèmes, des pièces manquantes? Avant de retourner l'article au détaillant, appelez notre service à la clientèle au 1 866 994-4148, entre 8 h et 18 h (HNE), du lundi au jeudi, ou entre 8 h et 17 h (HNE) le vendredi.

CONTENU DE L'EMBALLAGE



PIÈCE	DESCRIPTION	QUANTITÉ
A	Projecteur	1
B	Réflecteur	2

QUINCAILLERIE INCLUSE

AA



Vis de traverse

Qté : 2

BB



Capuchon de connexion

Qté : 2

CC



Capuchon de vis de montage

Qté : 1

▲ CONSIGNES DE SÉCURITÉ

Assurez-vous de lire et de comprendre l'intégralité de ce manuel avant de tenter d'assembler, d'utiliser ou d'installer l'article.

AVERTISSEMENTS

- Ce luminaire est conçu pour être connecté aux boîtes de jonction standard en vertu du Code national de l'électricité.
- Afin de prévenir les chocs électriques, veillez à débrancher l'alimentation avant de procéder à l'installation.
- Faites appel à un électricien qualifié si vous n'êtes pas certain de la marche à suivre pour l'installation. Effectuez toutes les connexions du câblage conformément au code du bâtiment et aux règlements locaux, ainsi qu'au Code national de l'électricité.
- Les modifications non autorisées expressément par la partie responsable de la conformité peuvent annuler le droit de l'utilisateur de se servir de cet appareil.
- Une fois le luminaire allumé, la température des ampoules augmente graduellement. Tant que les ampoules ne sont pas entièrement refroidies, ne les touchez pas à mains nues. Lorsque vous remplacez une ampoule, coupez d'abord l'alimentation électrique et attendez que l'ampoule ait entièrement refroidi.
- L'ampoule ne doit pas dépasser la puissance maximale précisée.
- Pour contrôler manuellement le luminaire, il doit être raccordé à un interrupteur.

AVIS : Cet appareil a été testé et déclaré conforme aux limites imposées aux dispositifs numériques de classe B, conformément à l'alinéa 15 du règlement de la FCC.

Ces limites sont destinées à assurer une protection raisonnable contre les interférences nuisibles dans un environnement résidentiel.

Cet appareil génère, utilise et peut émettre de l'énergie radiofréquence et, s'il n'est pas installé et utilisé conformément aux instructions, risque de provoquer des interférences nuisibles aux communications radio.

Cependant, tout risque d'interférence ne peut être totalement exclu.

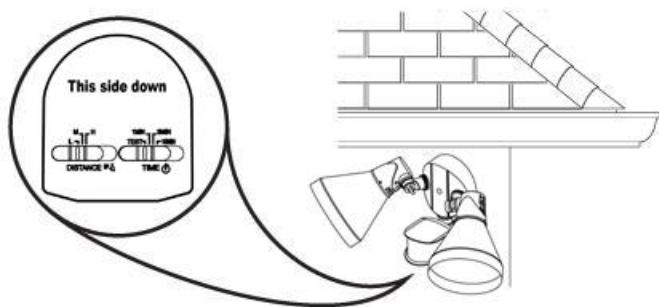
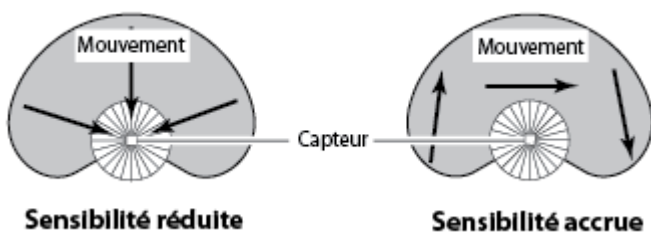
Si l'utilisateur constate des interférences nuisibles lors de la réception d'émissions de radio ou de télévision (pour le vérifier, il suffit d'allumer et d'éteindre successivement l'appareil), il devra prendre les mesures nécessaires pour les éliminer. À cette fin, il devra :

- réorienter ou déplacer l'antenne réceptrice;
- accroître la distance entre l'appareil et le récepteur;
- brancher l'appareil sur une prise de courant appartenant à un autre circuit que celui du récepteur;
- obtenir de l'aide auprès du détaillant ou d'un technicien en radio ou en télévision expérimenté.

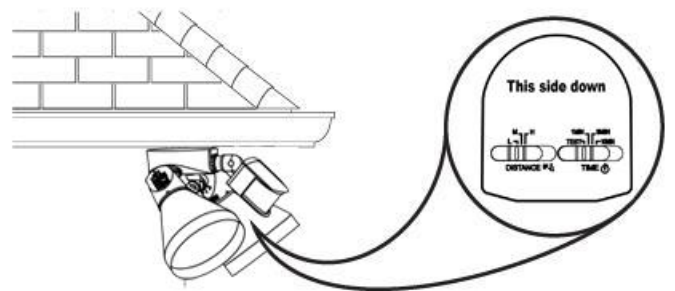
⚠ RENSEIGNEMENTS SUR L'INSTALLATION

- **ATTENTION** : Pour éviter les risques de choc électrique et les dommages que pourrait causer l'eau, les détecteurs de mouvement doivent être orientés vers le sol lorsque l'installation est terminée.
- **REMARQUE** : Ne reliez pas ce luminaire à un gradateur ni à une minuterie.
- **REMARQUE** : N'installez pas de moteurs, de transformateurs, ni de luminaires fluorescents sur le même circuit que celui du luminaire.
- **REMARQUE** : Ce luminaire est conçu pour un usage à l'extérieur et doit être fixé à un mur ou à un avant-toit.

Le détecteur est moins sensible aux mouvements qui vont directement vers lui qu'aux mouvements qui traversent latéralement la zone de détection.



Installation murale



Installation sous un avant-toit

Remarque : Le luminaire et le détecteur doivent être fixés comme illustré ci-dessus, en fonction du type d'installation.

PRÉPARATION

Avant de commencer à assembler ou à installer le luminaire, assurez-vous d'avoir toutes les pièces.

Comparez le contenu de l'emballage avec la liste de la quincaillerie incluse.

S'il y a des pièces manquantes ou endommagées, ne tentez pas d'assembler l'article.

● **Temps d'assemblage approximatif** : de 20 à 40 minutes (la durée de l'installation peut varier en fonction du niveau d'habileté de la personne et de l'état du câblage électrique existant.

Elle suppose également qu'une boîte de sortie murale et de câblage d'alimentation est déjà installée).

● Outils nécessaires pour l'assemblage (non inclus) : tournevis cruciforme, tournevis à tête plate et calfeutrage adhésif à base de silicone.

● Articles utiles (non inclus) : escabeau.

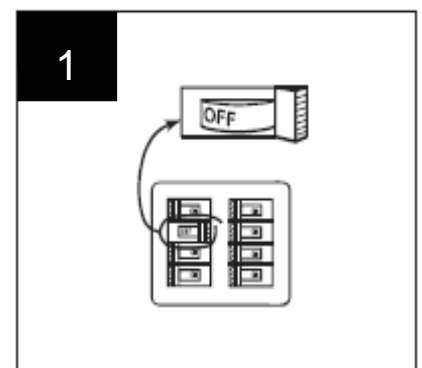
● REMARQUE : Ce luminaire peut être installé sur un mur ou au plafond.

● Il est recommandé d'installer ce luminaire à une hauteur de 2,43 à 3,05 m (8 à 10 pi) m.

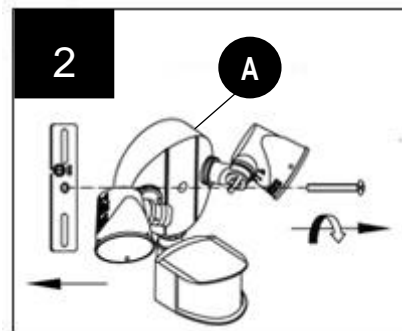
INSTRUCTIONS POUR L'ASSEMBLAGE

1. Coupez l'alimentation de la zone de travail à partir du panneau de disjoncteurs ou de fusibles.

ATTENTION : Ne vous fiez pas uniquement à l'interrupteur mural pour couper l'alimentation électrique.



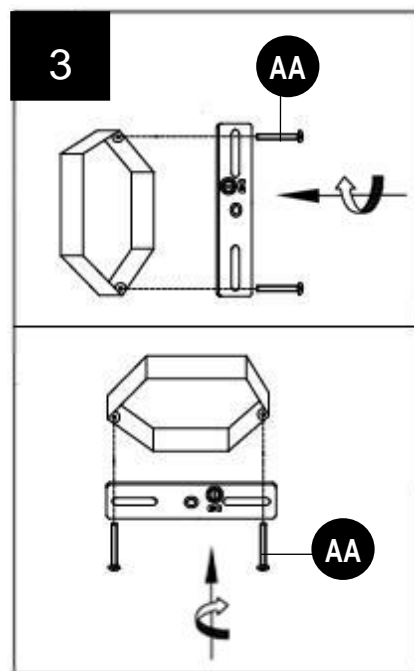
2. Retirez la traverse du luminaire (A) en desserrant la vis préassemblée au luminaire.



3. Fixez la traverse à la boîte de sortie (non incluse) à l'aide des deux vis de traverse (AA).


Quincaillerie utilisée

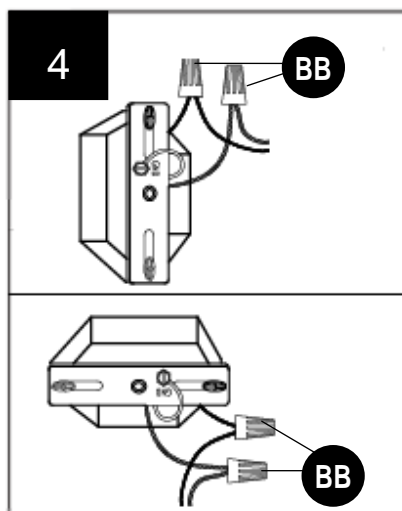
- AA** Vis de traverse  x 2



4. Raccordez le fil de mise à la terre provenant de la boîte de sortie à la vis de mise à la terre de la traverse. Raccordez le fil blanc provenant de la boîte de sortie au fil blanc du luminaire en fixant par torsion un capuchon de connexion (BB) sur les bouts dénudés des fils. Raccordez le fil noir provenant de la boîte de sortie au fil noir du luminaire en fixant par torsion un capuchon de connexion (BB) sur les bouts dénudés des fils.

Quincaillerie utilisée

- BB** Capuchon de connexion  x 2



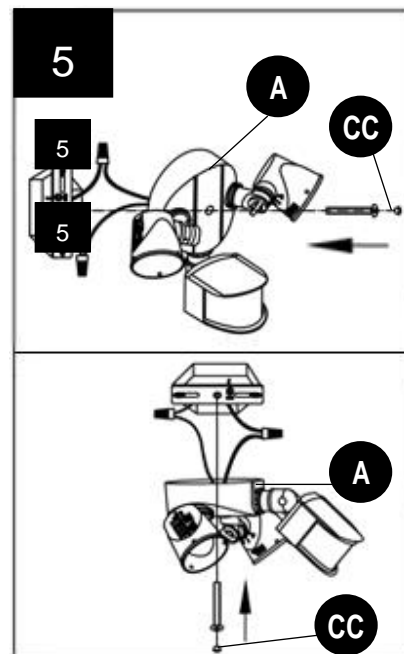
5. Assurez-vous que les connexions sont solides. Placez soigneusement les fils dans la boîte de jonction. Placez le couvercle du luminaire (A) sur la traverse.

Remarque : Insérez la longue vis de montage retirée à l'étape 2 dans le trou central et dans la traverse, puis serrez-la solidement. Insérez le capuchon de vis de montage (DD) dans le trou de la vis de montage. ÉVITEZ de serrer excessivement.


IMPORTANT :

Si le luminaire est fixé au mur, veillez à fixer le détecteur sous les têtes de la lampe.

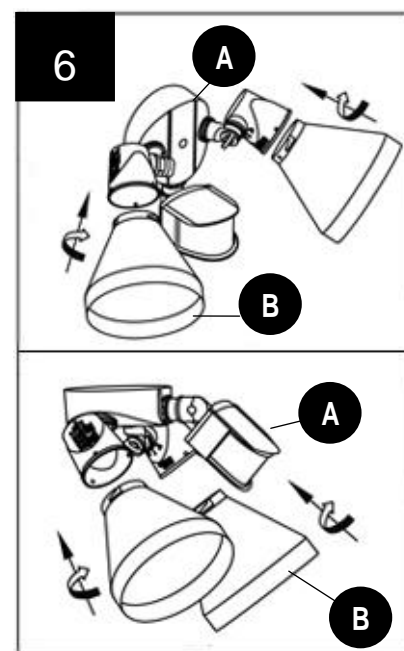
Si le luminaire est fixé sous un avant-toit, tournez le détecteur selon un angle de 180° de façon à ce que les commandes soient orientées vers le sol.



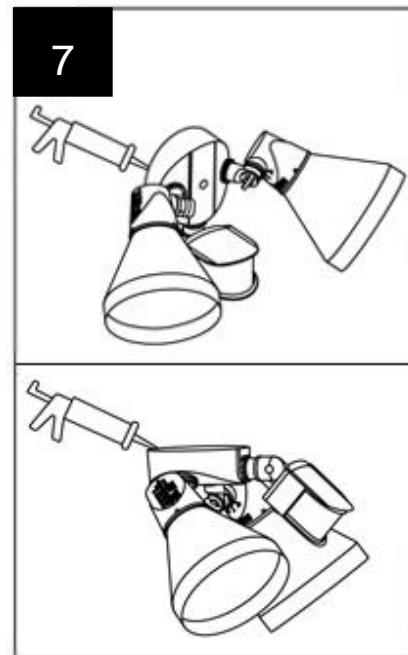
Quincaillerie utilisée

CC Capuchon de vis de montage  x 1

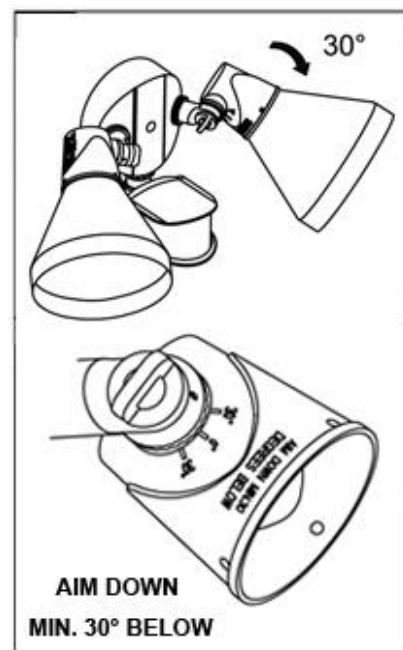
6. Alignez les fentes du réflecteur (B) sur le corps du luminaire. Tournez le réflecteur dans le sens des aiguilles d'une montre jusqu'à ce qu'il s'enclenche.



7. Après avoir installé le luminaire, appliquez du produit de calfeutrage à base de silicone autour du périmètre du couvercle, à la jonction de ce dernier et de la surface de montage. Ce calfeutrage à base de silicone empêche l'eau de s'infiltrer dans la boîte de sortie.



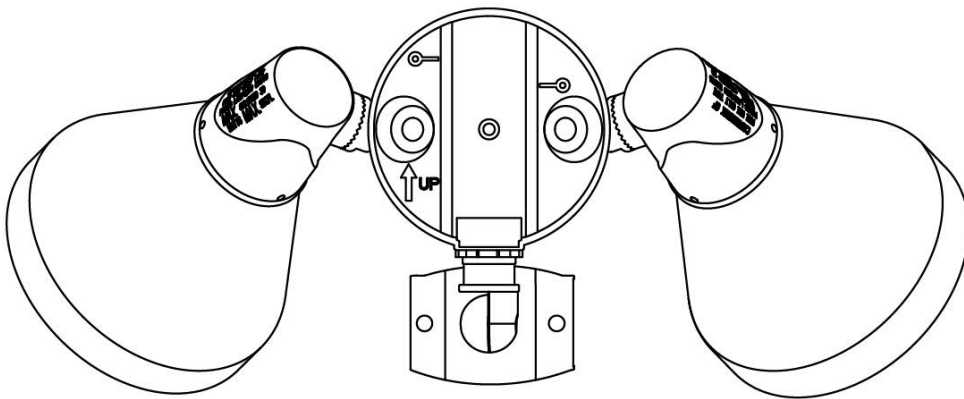
Remarque : Après l'installation murale, la tête de lampe doit être orientée vers le bas selon un angle de 30° afin d'éviter les dommages causés par l'eau.



Remarque : Utilisez seulement des ampoules de type PAR38 (ampoules PAR38, ampoules fluocompactes PAR38 ou ampoules à DEL PAR38).

⚠ ATTENTION : Pour éviter les risques de choc électrique et les dommages que pourrait causer l'eau, les détecteurs de mouvement doivent être orientés vers le sol lorsque l'installation est terminée.

⚠ ATTENTION : Veillez à ce que le projecteur soit fixé au mur comme l'indique l'icône sur le culot. N'installez pas ce luminaire À L'ENVERS pour éviter les dommages pouvant être causés par l'eau.



L'installation est maintenant terminée.

Rétablissez le courant à partir du panneau de disjoncteurs et mettez l'interrupteur mural en position de marche (« ON »). L'interrupteur mural doit demeurer en position de marche pour que le détecteur de mouvements fonctionne adéquatement.

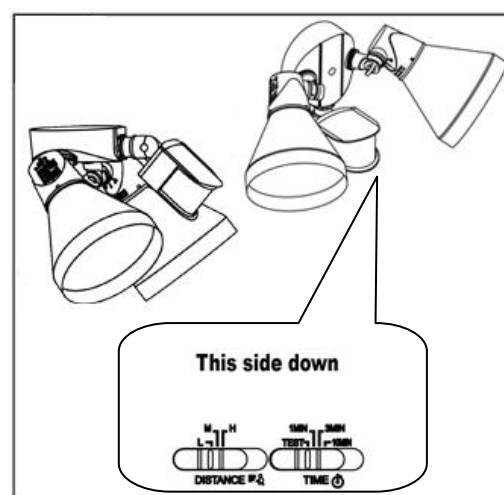
MODE D'EMPLOI

RÉGLAGE DU CAPTEUR PRINCIPAL

Mode	Réglage de la fonction TIME	Réglage de la fonction DISTANCE	Description
TEST	TEST	N'importe quel réglage.	Le détecteur détectera les mouvements, et le luminaire s'allumera de jour comme de nuit. Le luminaire reste allumé pendant environ 5 secondes après que le détecteur a cessé de percevoir des mouvements, puis il s'éteint.
SÉCURITÉ (DISTANCE)	1	Ajustez la DISTANCE à la position « L », « M » ou « H ». Réglé par défaut à la position « H », le luminaire détecte les mouvements à la distance maximale, soit jusqu'à ENVIRON 21,33 m. L : de 6,09 à 9,14 m M : de 12,19 à 15,24 m H : de 18,28 à 21,33 m	Le détecteur de mouvement s'active au crépuscule. Tout mouvement dans la zone de couverture fait allumer le luminaire. Il reste allumé 1, 3 ou 10 minutes après que le détecteur a cessé de percevoir des mouvements, selon le délai préétabli, puis il s'éteint. Le détecteur de mouvement fonctionne toute la nuit. Le détecteur de mouvement est mis hors fonction à l'aube et reste désactivé toute la journée. Aucun mouvement ne fera allumer le luminaire.
	3		
	10 MIN		

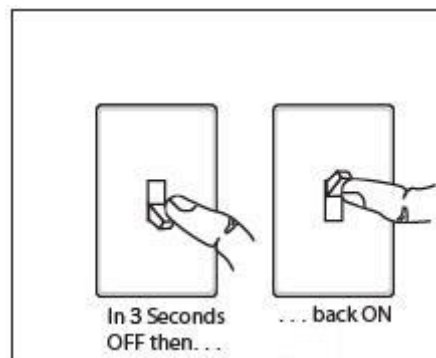
REMARQUE :

1. Avant qu'il ne puisse détecter les mouvements, le détecteur a une période de réchauffement de 14 secondes. Une fois le luminaire allumé, veuillez attendre 14 secondes.
2. Si le mouvement continue d'être détecté pendant que le luminaire est en marche, la lumière restera allumée pendant le délai préétabli de 1, 3 ou 10 minutes, puis elle s'éteindra.



3. Interruption manuelle : permet de forcer le luminaire à ignorer les modes TEST et SECURITY (sécurité) afin qu'il demeure allumé. Allumez le luminaire manuellement à l'aide de l'interrupteur mural. Après avoir réglé le luminaire en position « ON » (marche), mettez l'interrupteur mural en position d'arrêt et remettez-le deux fois en position de marche en 3 secondes.

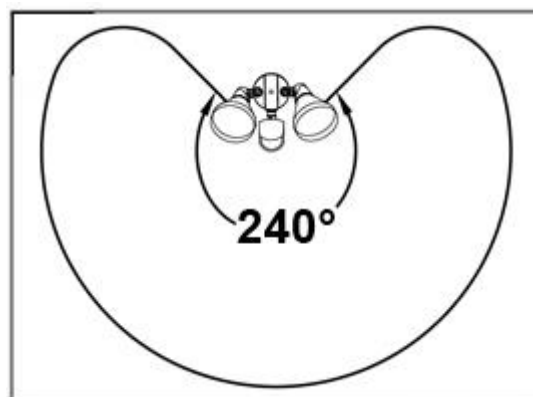
Il existe deux façons de retourner au mode précédent :
Mettez l'interrupteur mural en position d'arrêt pendant 10 secondes, puis remettez-le en position de marche.



ZONE DE COUVERTURE

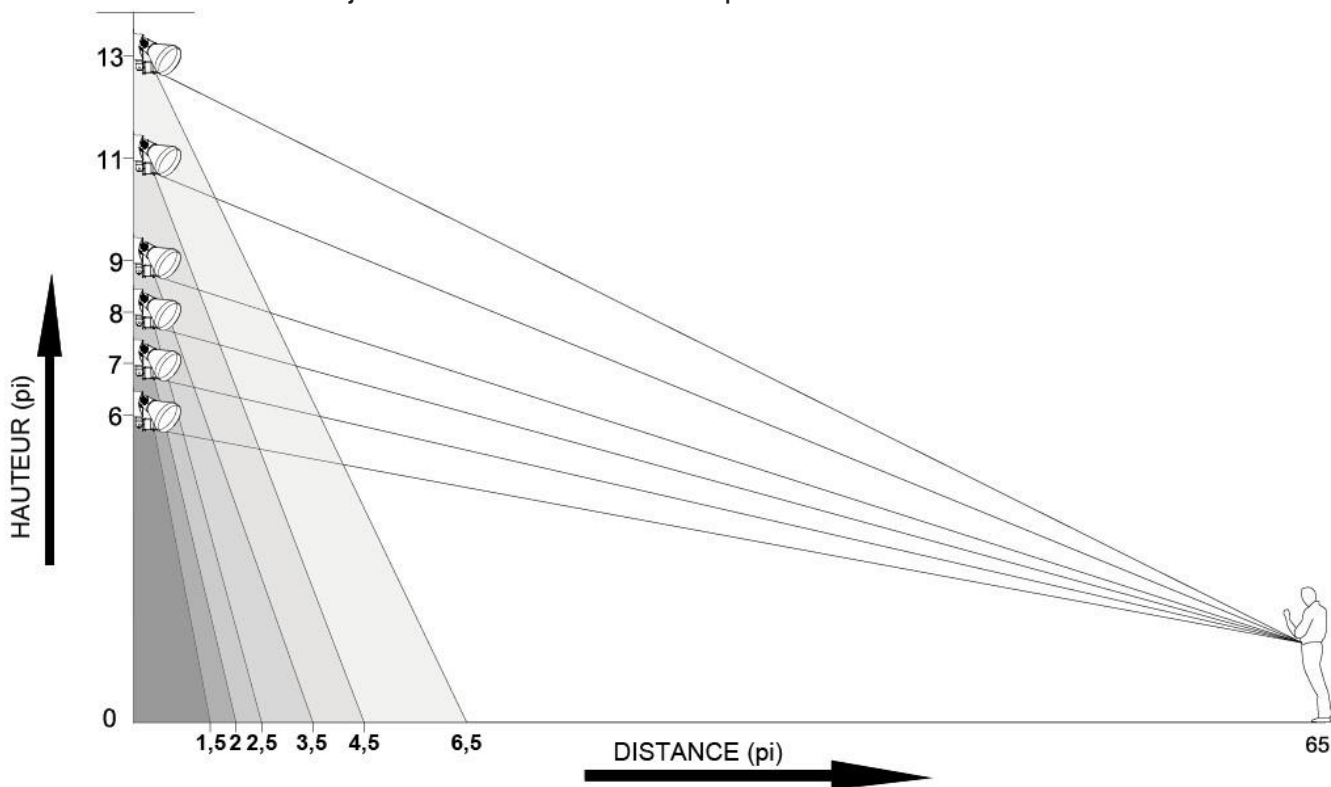
Le détecteur de mouvement est doté d'une zone de couverture d'environ 240°.

Lorsque vous installez initialement le luminaire (A), vous devez orienter le détecteur de sorte que celui-ci couvre la zone souhaitée.



DISTANCE

Pour que le détecteur puisse détecter le mouvement à la distance maximale, son angle de positionnement devra être ajusté selon la hauteur à laquelle le luminaire est installé.



Hauteur de l'assemblage (pi)	6	7	8	9	11	13
Angle recommandé pour le capteur	89°	87°	85°	80°	79°	74°
Zone aveugle (pi) (zone floue)	1,5	2	2,5	3,5	4,5	6,5
Distance maximale (pi)	65	65	65	65	65	65

REMARQUE :

1. Que le luminaire soit fixé à un mur ou sous un avant-toit, la hauteur de l'assemblage, l'angle du détecteur et les autres données sont les mêmes.
2. À une température ambiante de 25 °C, la distance de détection maximale est de 19,81 m. La distance de détection varie en fonction des variations de température.

TESTS ET RÉGLAGES

1. Mettez l'interrupteur mural à la position de marche.
2. Mettez l'interrupteur à la position « TEST ».
3. Marchez dans la zone de couverture en notant votre emplacement lorsque le luminaire s'allume. Le voyant clignotera plusieurs fois lorsqu'un mouvement est détecté.
4. Au besoin, ajustez le détecteur de mouvement pour changer la zone de détection.
5. Au besoin, ajustez la tête du luminaire pour changer la zone d'éclairage.
6. Si vous devez modifier la sensibilité, réglez l'interrupteur DISTANCE à la position désirée (L, M ou H). Si la DISTANCE réglée est trop grande, des déclenchements intempestifs pourraient se produire.
7. Pour terminer, configurez la durée d'éclairage lors de la détection de mouvement (1 min, 3 min ou 10 min).

CONSIDÉRATIONS IMPORTANTES

Évitez d'orienter le détecteur en direction :

1. D'objets qui pourraient produire de la chaleur et qui pourraient entraîner des déclenchements intempestifs, comme :
 - Étendues d'eau
 - Climatiseurs
 - Animaux
 - Circulation automobile
 - Événements de chauffage
 - Sorties d'air de sècheuse
2. D'objets qui pourraient refléter de la lumière en direction du détecteur et ainsi activer la fonction d'arrêt automatique. Ne pointez pas le capteur vers d'autres luminaires et ne pointez pas de luminaires vers le détecteur.

DÉPANNAGE

PROBLÈME	CAUSE POSSIBLE	MESURE CORRECTIVE
Les lumières ne s'allument pas.	<ol style="list-style-type: none">1. L'interrupteur est en position d'arrêt.2. L'ampoule est desserrée ou grillée.3. Le fusible a sauté ou le disjoncteur est hors tension.4. Le mode d'arrêt diurne est activé.5. Le câblage est inadéquat (nouvelles installations).6. Le détecteur ne couvre pas adéquatement la zone.7. Après l'installation murale, la tête de lampe n'a pas été orientée vers le bas selon un angle de 30°.	<ol style="list-style-type: none">1. Mettez l'interrupteur en position de marche.2. Resserrez ou remplacez l'ampoule.3. Remplacez le fusible grillé ou remettez le disjoncteur sous tension.4. Vérifiez de nouveau après la tombée de la nuit.5. Vérifiez de nouveau le câblage.6. Réorientez le détecteur de façon à ce qu'il couvre la zone désirée.7. Orientez la tête de lampe vers le bas selon un angle de 30° et remplacez l'ampoule.
Les lumières s'allument lorsqu'il fait jour.	<ol style="list-style-type: none">1. Le luminaire est peut-être installé dans un endroit trop sombre.2. Le luminaire est en mode TEST.	<ol style="list-style-type: none">1. Déplacez le luminaire dans un endroit plus éclairé pendant la journée.2. Réglez l'interrupteur à la position TIME (minuterie).
Les lumières s'allument sans raison apparente.	<ol style="list-style-type: none">1. Le détecteur repère peut-être de petits animaux ou des voitures.2. La portée est réglée à une valeur excessive.3. Le luminaire est en mode MANUAL (manuel).	<ol style="list-style-type: none">1. Éloignez le luminaire du détecteur ou d'objets à proximité.2. Réorientez le détecteur.3. Retournez au mode détecteur.

Les lumières clignotent.	<ol style="list-style-type: none"> 1. La chaleur ou la lumière des luminaires activent peut-être la commande d'éclairage. 2. La chaleur se réfléchissant sur d'autres objets a peut-être un effet sur le détecteur. 3. La commande d'éclairage est en mode TEST et est en train de se réchauffer. 4. La lumière s'échappe peut-être des réflecteurs des ampoules à faisceau large. 	<ol style="list-style-type: none"> 1. Éloignez les luminaires du détecteur. 2. Réorientez le détecteur. 3. Le clignotement est normal dans de telles conditions. 4. Assurez-vous que les pare-lumières en métal sont installés.
--------------------------	--	---

ENTRETIEN

Pour nettoyer l'appareil, **COUPEZ** l'alimentation électrique au circuit et nettoyez les surfaces à l'aide d'un produit nettoyant doux et non abrasif.

⚠ ATTENTION : COUPEZ toute alimentation au circuit électrique à partir du panneau de disjoncteurs ou de fusibles. Ne vous fiez PAS uniquement à l'interrupteur mural pour couper l'alimentation électrique.

L'interrupteur mural doit demeurer en position « ON » (marche), même le jour, pour garantir la bonne marche des fonctions du luminaire.

GARANTIE

GARANTIE LIMITÉE DE CINQ ANS

Si cet article présente des défauts de matériaux ou de fabrication au cours des cinq (5) années qui suivent la date d'achat, retournez-le avec une preuve de la date d'achat et il sera remplacé par un article semblable ou un modèle comparable, sans frais.

Cette garantie sera annulée si les dommages ou les défauts résultent d'un accident, d'un usage abusif ou inapproprié ou d'une réparation inadéquate.

Cette garantie vous confère des droits précis. Il est possible que vous disposiez également d'autres droits, qui varient d'un État ou d'une province à l'autre.

LA GARANTIE NE POURRA EN AUCUN CAS S'APPLIQUER AUX DOMMAGES CONSÉCUTIFS, PARTICULIERS, ACCESSOIRES OU INDIRECTS DE TOUTE SORTE RÉSULTANT DE L'USAGE APPROPRIÉ OU INAPPROPRIÉ DE CET ARTICLE.

CERTAINS ÉTATS OU CERTAINES PROVINCES NE PERMETTENT PAS L'EXCLUSION OU LA LIMITATION DES DOMMAGES ACCESSOIRES OU CONSÉCUTIFS, DE SORTE QUE LES EXCLUSIONS OU LES LIMITATIONS CI-DESSUS PEUVENT NE PAS S'APPLIQUER À VOUS.

LISTE DES PIÈCES DE RECHANGE

Pour obtenir des pièces de rechange, communiquez avec notre service à la clientèle au 1 866 994-4148, entre 8 h et 18 h (HNE), du lundi au jeudi, ou entre 8 h et 17 h (HNE) le vendredi.

PIÈCE	DESCRIPTION	N° DE PIÈCE
AA	Vis de traverse	0803989-AA 0803991-AA
BB	Capuchon de connexion	0803989-BB 0803991-BB
CC	Capuchon de vis de montage	0803989-CC 0803991-CC

AA



BB



CC



Imprimé en Chine

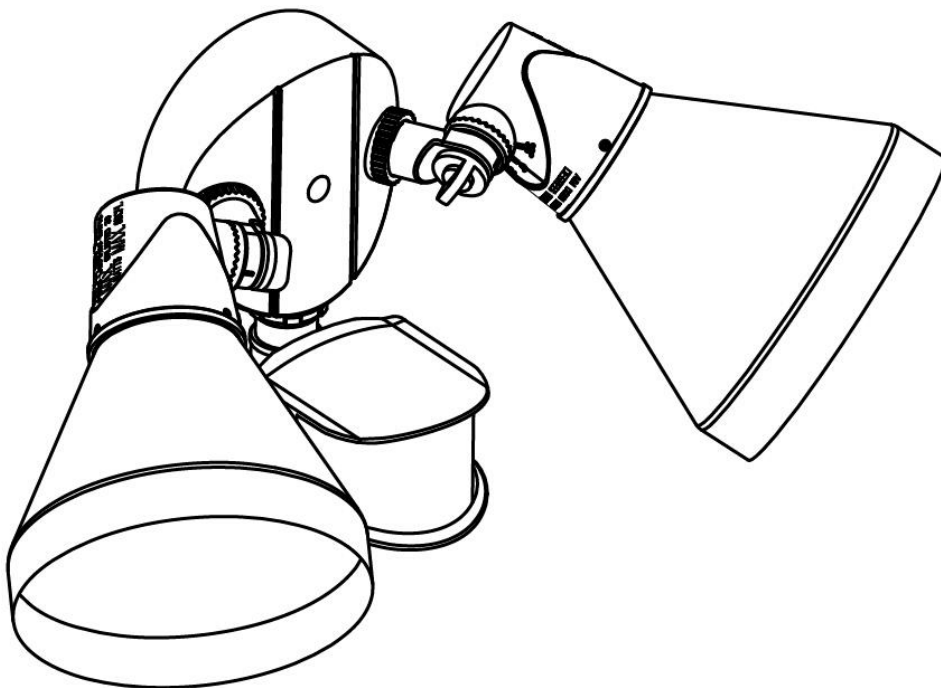


Utilitech® es una marca registrada de LF, LLC. Todos los derechos reservados.

ARTÍCULO #0803989
0803991

REFLECTOR ACTIVADO MOVIMIENTO

MODELO # 6211W-PIR26B
6211BZ-PIR26B



ADJUNTE SU RECIBO AQUÍ

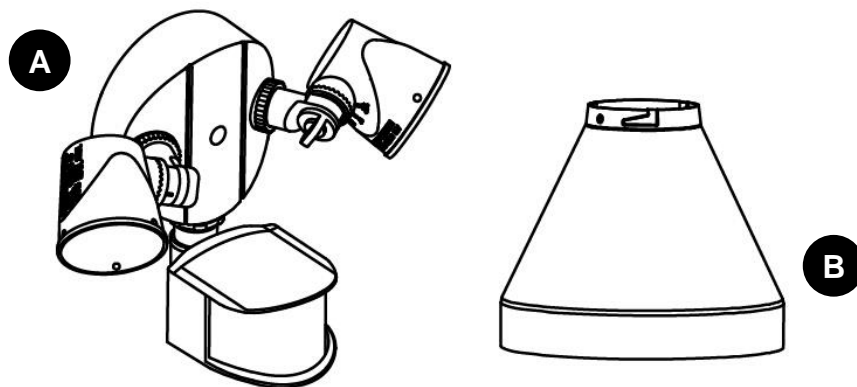
Número de serie _____

Fecha de compra _____



¿Preguntas, problemas, piezas faltantes? Antes de volver a la tienda, llame a nuestro Departamento de Servicio al Cliente al 1-866-994-4148, de lunes a jueves de 8 a.m. a 6 p.m. y los viernes de 8 a.m. a 5 p.m., hora estándar del Este.

CONTENIDO DEL PAQUETE



PIEZA	DESCRIPCIÓN	CANTIDAD
A	Lámpara	1
B	Reflector	2

ADITAMENTOS

AA



Tornillo de la placa
perforada

Cant. 2

BB



Empalme
plástico

Cant. 2

CC



Tapa para tornillo
de montaje

Cant. 1

▲ INFORMACIÓN DE SEGURIDAD

Lea y comprenda completamente este manual antes de intentar ensamblar, usar o instalar el producto.

ADVERTENCIA

- Esta lámpara está diseñada para adaptarse a cajas de unión estándar según lo define el Código Eléctrico Nacional.
- Para evitar descargas eléctricas, asegúrese de que la alimentación esté desconectada antes de realizar la instalación.
- Si no está seguro de cómo instalar el producto, consulte a un electricista calificado. Instale siempre las conexiones del cableado en conformidad con los códigos y las ordenanzas locales, y el Código Eléctrico Nacional.
- Los cambios o las modificaciones que se le realicen a esta unidad sin aprobación expresa del tercero responsable del cumplimiento pueden anular la autorización del usuario para operar el equipo.
- Luego de accionar el interruptor, la temperatura de la bombilla aumenta de forma gradual. No toque la bombilla con las manos descubiertas hasta que la bombilla esté completamente fría. Si reemplazar una bombilla, primero de desconecte la alimentación y espera hasta que la bombilla esté completamente fría.
- La bombilla no debe superar la potencia especificada.
- Para controlar el reflector de forma manual, el control debe cablearse a través de un interruptor.

AVISO: este equipo ha sido probado y se ha verificado que cumple con los límites para un dispositivo digital clase B, conforme a la sección 15 de las reglas de la FCC.

Estos límites se han diseñado para proporcionar una protección razonable contra las interferencias que son perjudiciales en una instalación residencial.

Este equipo genera, utiliza y puede irradiar energía de radiofrecuencia y, si no se instala y se usa de acuerdo con las instrucciones, puede causar interferencia perjudicial para las comunicaciones de radio.

Sin embargo, no se garantiza que no se producirán interferencias en una instalación en particular. Si este equipo genera una interferencia perjudicial para la recepción de radio o televisión, lo que se puede comprobar apagando y encendiendo el equipo, se recomienda al usuario que intente corregir la interferencia con una o más de las siguientes medidas:

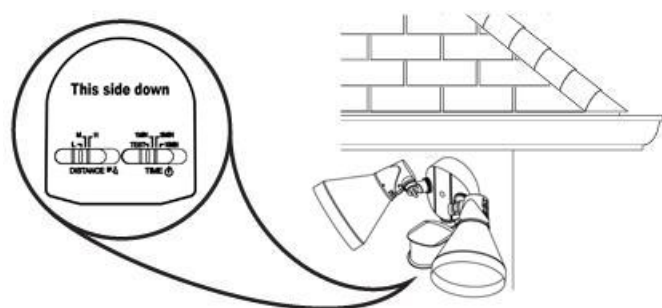
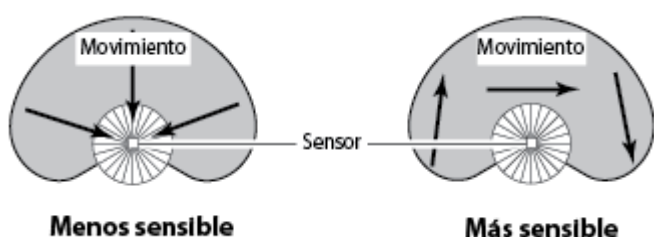
- Reorientar o reubicar la antena de recepción.
- Aumentar la separación entre el equipo y el receptor.
- Conectar el equipo a un tomacorriente de un circuito distinto al que usa el receptor.
- Solicitar ayuda al distribuidor o a un técnico con experiencia en radio/TV.

Este dispositivo cumple con la sección 15 de las normas de la FCC. Su operación está sujeta a las siguientes dos condiciones:

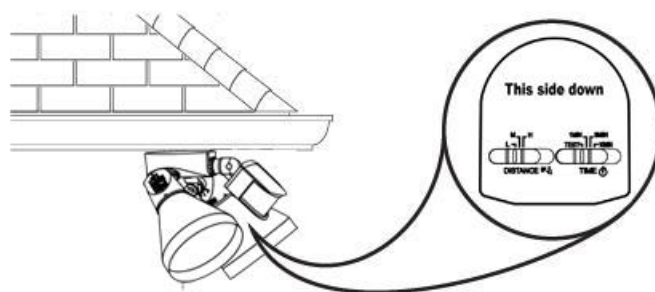
- (1) Este dispositivo no puede causar interferencia dañina y
- (2) Este dispositivo debe aceptar cualquier interferencia que reciba, incluyendo aquella interferencia que podría producir una operación no deseada.

▲ INFORMACIÓN SOBRE LA INSTALACIÓN

- **PRECAUCIÓN:** para evitar los daños producidos por el agua y el riesgo de descarga eléctrica, los controles del sensor de movimiento deben estar mirando hacia el suelo cuando se haya completado la instalación.
- **NOTA:** no conecte esta lámpara a un regulador de intensidad o temporizador.
- no instale motores, transformadores o lámparas de luz fluorescente en el mismo circuito con la lámpara.
- **NOTA:** esta lámpara está diseñada para instalación en exteriores y debe montarse en una pared o un alero.
- El detector es menos sensible al movimiento cuando este se dirige directamente hacia él y es más sensible al movimiento a lo largo.



Montaje en pared



Montaje en alero

Nota: la lámpara y el sensor deben montarse como se muestra arriba durante la instalación, dependiendo del tipo de instalación.

PREPARACIÓN

Antes de comenzar a ensamblar o instalar la lámpara, asegúrese de tener todas las piezas. Compare las piezas con la lista del contenido del paquete y la lista del contenido de aditamentos. No intente ensamblar el producto si falta alguna pieza o si estas están dañadas.

● **Tiempo estimado de ensamblaje: 20 a 40 minutos** (el tiempo de instalación variará dependiendo de su nivel de aptitud y de las condiciones del cableado existentes).

El tiempo estimado de instalación se calcula asumiendo que la caja de unión estándar de pared y el cableado de suministro ya están instalados).

● Herramientas necesarias para el ensamblaje (no se incluyen):

destornillador Phillips, destornillador de cabeza plana, adhesivo de calafateo de silicona.

● Artículos útiles (no se incluyen):

escalera de tijera.

● **NOTA:**

esta lámpara se puede instalar en una pared o en el techo.

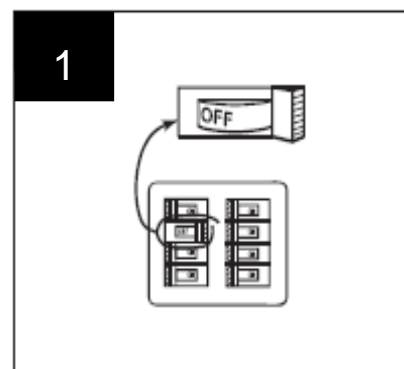
● Se recomienda instalar esta lámpara a una altura de más de 3 m.

INSTRUCCIONES DE ENSAMBLAJE

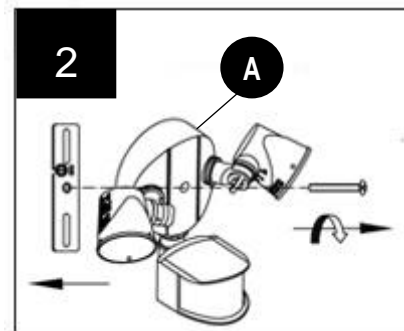
1. Desconecte por completo la alimentación que da al área de trabajo, en el interruptor del circuito principal o en la caja de fusibles.

PRECAUCIÓN:

no utilice solamente el interruptor de pared para desconectar la alimentación.




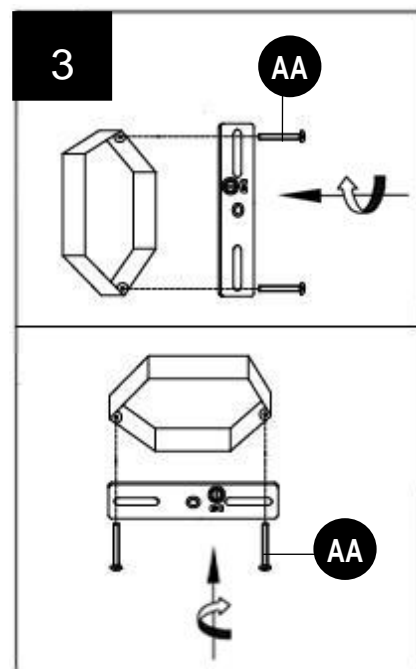
2. Retire la placa perforada de la lámpara (A) apretando el tornillo preensamblado en A.



3. Fije la placa perforada a la caja de unión (no incluida) con los dos tornillos de la placa perforada (AA).

Aditamentos utilizados

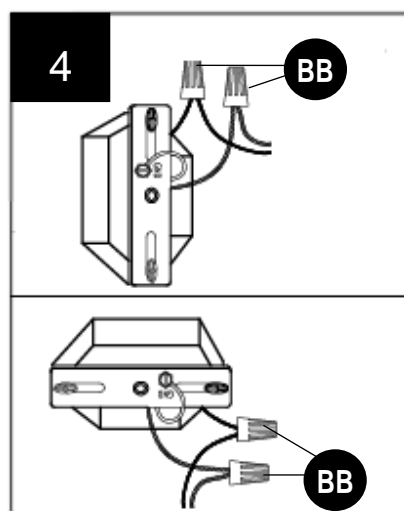
- AA** Tornillo de la placa perforada  x 2



4. Conecte el conductor de puesta a tierra de la caja de salida al tornillo de puesta a tierra de la placa perforada. Conecte el conductor blanco de la caja de salida al conductor blanco de la lámpara enroscando un empalme plástico (BB) en los extremos desnudos de los conductores. Conecte el conductor negro de la caja de salida al conductor negro de la lámpara enroscando un empalme plástico (BB) en los extremos desnudos de los conductores.

Aditamentos utilizados

- BB** Empalme plástico  x 2



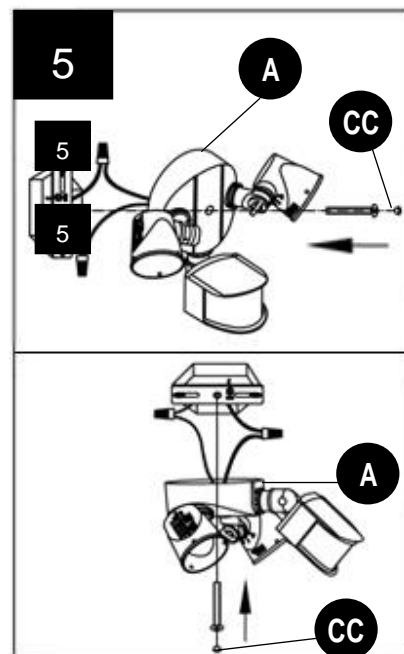
5. Asegúrese de que las conexiones del cableado estén seguras. Coloque cuidadosamente los conductores en la caja de unión. Coloque la placa de cubierta de la lámpara (A) sobre la placa perforada.

Nota: inserte el tornillo de montaje largo (retirado en el Paso 2) a través del orificio central y en la placa perforada, y apriete el tornillo hasta que esté seguro. Inserte la tapa para tornillos de montaje (DD) en el orificio del tornillo de montaje. NO apriete demasiado.


IMPORTANTE:

Si se monta en la pared, asegúrese de que la lámpara esté montada con el sensor debajo de los cabezales de la lámpara.

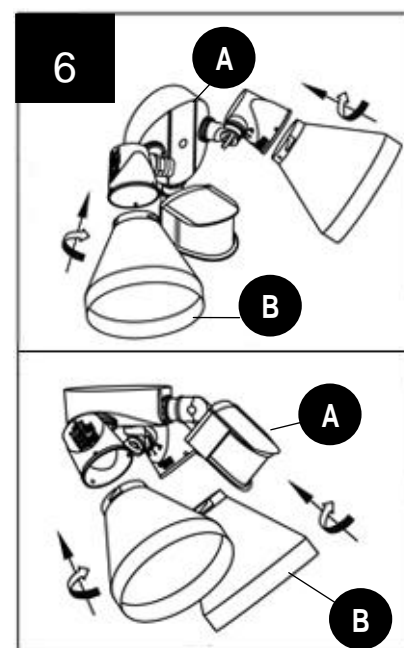
Si se monta en un alero, gire el sensor 180° de modo que los controles apunten hacia el suelo.



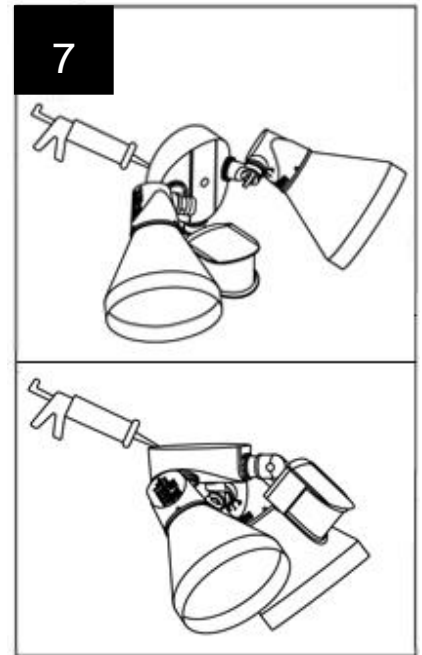
Aditamentos utilizados

- CC Tapa para tornillo de montaje  x 1

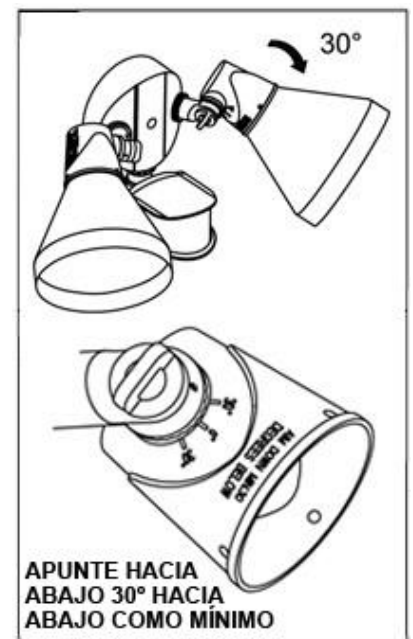
6. Alinee las ranuras del reflector (B) en el cuerpo de la lámpara. Gire el reflector en dirección de las manecillas del reloj hasta que se fije en su lugar.



7. Después de montar la lámpara, aplique compuesto de calafateo de silicona alrededor de todo el perímetro de la placa de cubierta donde la parte posterior de esta topa con la superficie de montaje. El calafateo de silicona impide que se filtre agua al interior de la caja de unión.



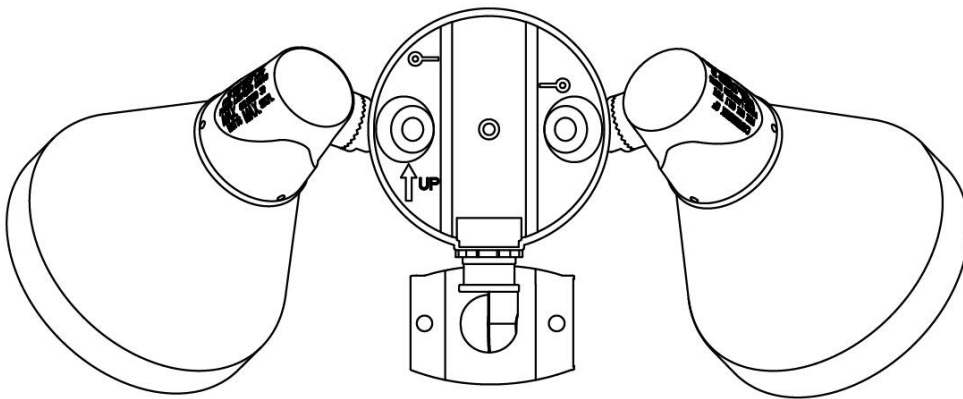
Nota: el cabezal de la lámpara debe rotarse 30° hacia abajo luego de haber realizado el montaje sobre la pared a fin de evitar los daños producidos por el agua.



Nota: use solo bombillas tipo PAR38 (PAR38, CFL PAR38, LED PAR38).

⚠ PRECAUCIÓN: para evitar los daños producidos por el agua y el riesgo de descarga eléctrica, los controles del sensor de movimiento deben estar mirando hacia el suelo cuando se haya completado la instalación.

⚠ PRECAUCIÓN: asegúrese de que la lámpara esté montada en la pared tal como lo indica el icono en la base de la lámpara. Para evitar los daños producidos por el agua, no monte la lámpara EN POSICIÓN INVERTIDA.



La instalación está completa. Vuelva a conectar el suministro eléctrico en el interruptor del circuito y lleve el interruptor de pared a la posición ON (ENCENDIDO).

El interruptor de pared debe permanecer en la posición ON para que el detector de movimiento funcione adecuadamente.

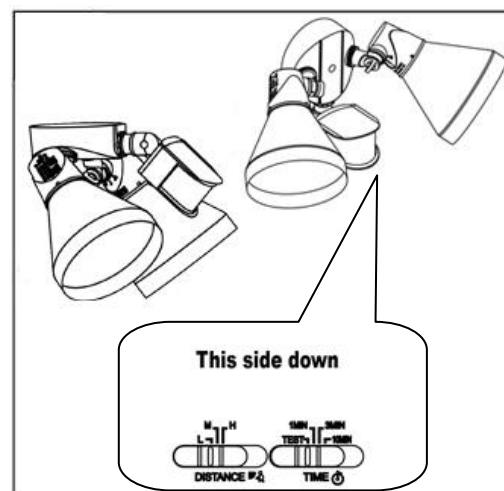
INSTRUCCIONES DE FUNCIONAMIENTO

CONFIGURACIÓN DEL SENSOR

Modo	Configuración de TIEMPO	Configuración de DISTANCIA	Descripción
PRUEBA	PRUEBA	Cualquier configuración.	El sensor detectará el movimiento y la luz se activará independientemente de qué hora sea. Después de que se detenga el movimiento o de que se haya abandonado el área de cobertura, la luz permanecerá encendida durante unos 5 segundos y, luego, se apagará.
SEGURIDAD (DISTANCIA)	1	Ajuste la "DISTANCIA" a L (baja), M (media), H (alta). En la configuración H predeterminada, la lámpara detectará el rango máximo, aproximadamente 21,33 m. L: un máximo entre 6,09 m y 9,14 m M: un máximo entre 12,19 m y 15,24 m H: un máximo entre 18,28 m y 21,33 m	Al anochecer, el sensor de movimiento se activa. Cualquier movimiento dentro del área de cobertura hará que la luz se encienda. Después de que se detenga el movimiento, la luz permanecerá encendida durante el límite de tiempo preseleccionado de 1, 3 o 10 minutos y, luego, se apagará. El sensor de movimiento permanecerá activo durante la noche. Al amanecer, el sensor de movimiento se desactivará y permanecerá desactivado durante el día. El movimiento no hará que la luz se encienda.
	3		
	10 MIN		

NOTA:

1. El sensor tiene un período de calentamiento de 14 segundos antes de detectar el movimiento. Cuando lo encienda, espere 14 segundos.
2. Si se detecta movimiento continuamente durante el ciclo de encendido de la lámpara, la luz permanecerá encendida durante el límite de tiempo preestablecido de 1, 3 o 10 minutos, luego se apagará.



3. Anulación manual: haga que la lámpara anule los modos TEST (Prueba) y SECURITY (Seguridad) para que la luz permanezca encendida. Encienda la luz de forma manual con el interruptor de pared. Con la lámpara en la posición ON, deslice el interruptor de pared a la posición de apagado y, luego, nuevamente a la posición de encendido en un período de 3 segundos.



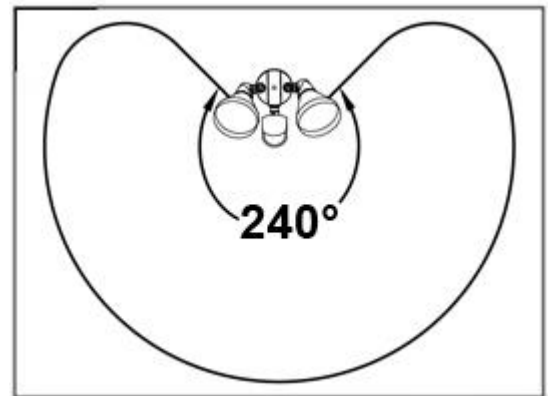
Existen dos maneras de volver a configurar el modo anterior: Deslice nuevamente el interruptor de pared a la posición de apagado, espere 10 segundos y, luego, vuelva a la posición de encendido.

Si deja la luz encendida, esta permanecerá encendida alrededor de 6 horas y luego volverá.

ÁREA DE COBERTURA

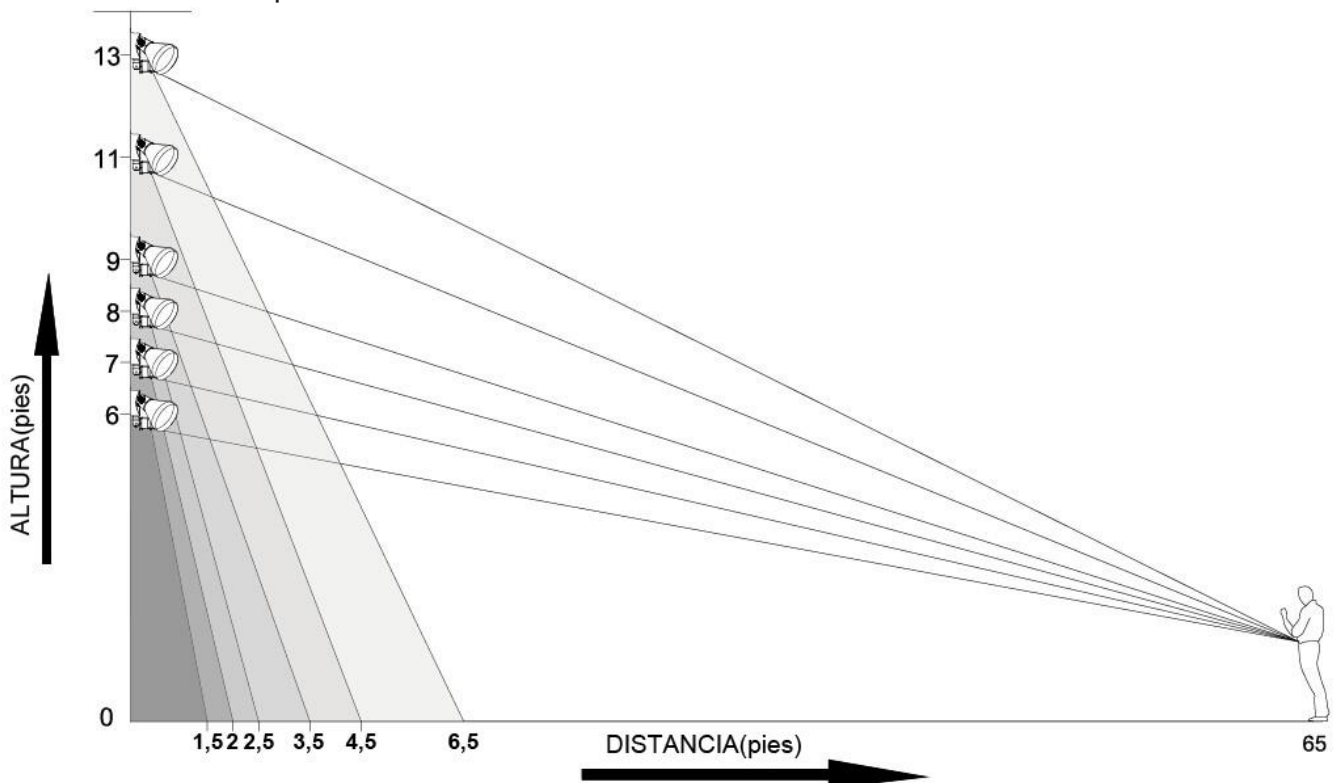
El detector de movimiento tiene un área de cobertura de unos 240°.

Cuando instale la lámpara por primera vez, (A) deberá establecer la dirección de la cabeza del detector para cubrir el área deseada.



DISTANCIA

Para alcanzar una distancia máxima, el ángulo del sensor deberá ajustarse conforme a la altura a la que se instala la lámpara.



Altura del ensamble (m)	1,82	2,13	2,44	2,74	3,35	3,96
Ángulo del sensor recomendado	89°	87°	85°	80°	79°	74°
Zona muerta (m) (área de arranque)	0,46	0,61	0,76	1,07	1,37	1,98
Distancia máxima (m)	19,81	19,81	19,81	19,81	19,81	19,81

NOTA:

1. La altura del ensamblaje, el ángulo del sensor y los otros datos son los mismos para las instalaciones en pared y en alero.
2. A una temperatura ambiente de 25 °C, la distancia de detección es, como máximo, de 19,81 m. A medida que la temperatura aumenta o disminuye, la distancia de detección se reducirá.

PRUEBAS Y AJUSTES

1. Encienda el interruptor de pared.
2. Coloque el interruptor en la posición de apagado “TEST”
3. Camine por el área de cobertura observando dónde se encuentra cuando la lámpara se enciende. Además, la luz indicadora parpadeará varias veces cuando se detecte movimiento.
4. Si es necesario, ajuste el sensor de movimiento para cambiar la zona de detección.
5. Si es necesario, ajuste el cabezal de la lámpara para cambiar el área de cobertura de la luz.
6. Si necesita cambiar la sensibilidad, configure el interruptor de DISTANCIA a la posición deseada (L, M o H). Si la DISTANCIA se ajusta demasiado alta, podrían aumentar las falsas activaciones.
7. Finalmente, cambie la configuración del tiempo por el tiempo en que la lámpara debe permanecer encendida luego de detectar movimiento (1 min, 3 min o 10 min).

CONSIDERACIONES IMPORTANTES

Evite apuntar el sensor hacia:

1. Objetos que puedan producir calor y puedan causar activadores falsos, como:
 - Piscinas de agua
 - Acondicionadores de aire
 - Animales,
 - Tráfico automotriz
 - Conductos de calefacción
 - Respiraderos para secadoras
2. Objetos que puedan reflejar luz en el sensor y, de este modo, activar la característica de apagado.

No apunte el sensor hacia otras luces, ni apunte otras luces hacia el sensor.

SOLUCIÓN DE PROBLEMAS

PROBLEMA	CAUSE POSSIBLE	ACCIÓN CORRECTIVA
Las luces no se encienden.	<ol style="list-style-type: none"> 1. El interruptor de la luz está apagado. 2. La bombilla está floja o quemada. 3. Se fundió un fusible o el interruptor de circuito está desconectado. 4. El control de apagado de luz diurna está en funcionamiento. 5. El cableado está incorrecto (instalaciones nuevas). 6. El sensor no está cubriendo el área en forma correcta. 7. No se ha girado el cabezal de la lámpara 30° hacia abajo luego de haber realizado el montaje sobre la pared. 	<ol style="list-style-type: none"> 1. Encienda el interruptor de la luz. 2. Vuelva a ajustar o reemplace la bombilla. 3. Reemplace el fusible o vuelva a encender el interruptor de circuito. 4. Vuelva a verificar después de oscurecer. 5. Vuelva a verificar el cableado. 6. Vuelva a apuntar el sensor para que cubra el área deseada. 7. Gire el cabezal de la lámpara 30° hacia abajo y cambie la bombilla.
Las luces se encienden durante el día.	<ol style="list-style-type: none"> 1. Es posible que el control de luces esté instalado en una ubicación relativamente oscura. 2. El control de luces está en modo TEST (Prueba). 	<ol style="list-style-type: none"> 1. Mueva la luz a una ubicación más brillante durante las horas de día. 2. Mueva el interruptor de control a la posición TIME (Tiempo).
Las luces se encienden sin razón aparente.	<ol style="list-style-type: none"> 1. El control de luces puede estar percibiendo animales pequeños o el tráfico de automóviles. 2. El rango está establecido demasiado alto. 3. El control de luces está en modo MANUAL. 	<ol style="list-style-type: none"> 1. Vuelva a ubicar la lámpara lejos del sensor u objetos cercanos. 2. Vuelva a ubicar el sensor. 3. Vuelva al modo de sensor.

<p>Las luces parpadean.</p>	<ol style="list-style-type: none"> 1. El calor o la luz de las lámparas pueden encender y apagar el control de luces. 2. El calor reflejado de otros objetos puede estar afectando al sensor. 3. El control de luces está en el modo TEST y se está calentando. 4. Es posible que la luz se esté filtrando por los reflectores. 	<ol style="list-style-type: none"> 1. Vuelva a ubicar las lámparas lejos del sensor. 2. Vuelva a ubicar el sensor. 3. El parpadeo es normal en estas condiciones. 4. Asegúrese de que los protectores para lámpara de metal estén instalados.
-----------------------------	---	---

CUIDADO Y MANTENIMIENTO

Para limpiar, DESCONECTE la alimentación y limpie las superficies con un limpiador suave y no abrasivo.

⚠ PRECAUCIÓN: desconecte por completo el suministro eléctrico en el interruptor del circuito principal o en la caja de fusibles. NO utilice solamente el interruptor de pared para desconectar la alimentación.

Para asegurarse de que la lámpara funciona correctamente, siempre mantenga el interruptor de pared en la posición de encendido (incluso durante el día).

GARANTÍA

GARANTÍA LIMITADA DE 5 AÑOS

Si este producto falla debido a un defecto en los materiales o mano de obra dentro de los cinco (5) años a partir de la fecha de compra, devuélvalo a la tienda junto con el comprobante de la fecha de compra y se lo reemplazará por el mismo modelo o uno similar sin cargo.

Esta garantía se anula si ocurren daños o defectos como resultado de accidentes, uso inadecuado, mal uso o reparación defectuosa del producto.

Esta garantía le ofrece derechos legales específicos y usted puede tener otros derechos que varían según el estado.

BAJO NINGUNA CIRCUNSTANCIA SE EXTENDERÁ LA RESPONSABILIDAD POR CUALQUIER DAÑO RESULTANTE, ESPECIAL, INCIDENTAL O INDIRECTO DE CUALQUIER TIPO QUE SEA CONSECUENCIA DEL USO O MAL USO DE ESTE PRODUCTO.

ALGUNOS ESTADOS NO PERMITEN LA EXCLUSIÓN O LIMITACIÓN DE DAÑOS INCIDENTALES O RESULTANTES, DE MODO QUE LA EXCLUSIÓN O LIMITACIÓN ANTERIOR PUEDE NO APLICARSE EN SU CASO.

LISTA DE PIEZAS DE REPUESTO

Para obtener piezas de repuesto, llame a nuestro Departamento de Servicio al Cliente al 1-866-994-4148, de lunes a jueves de 8 a.m. a 6 p.m., y los viernes de 8 a.m. a 5 p.m., hora estándar del Este.

PIEZA	DESCRIPCIÓN	N. ° DE PIEZA
AA	Tornillo de la placa perforada	0803989-AA 0803991-AA
BB	Empalme plástico	0803989-BB 0803991-BB
CC	Tapa para tornillo de montaje	0803989-CC 0803991-CC

AA



BB



CC



Impreso en China