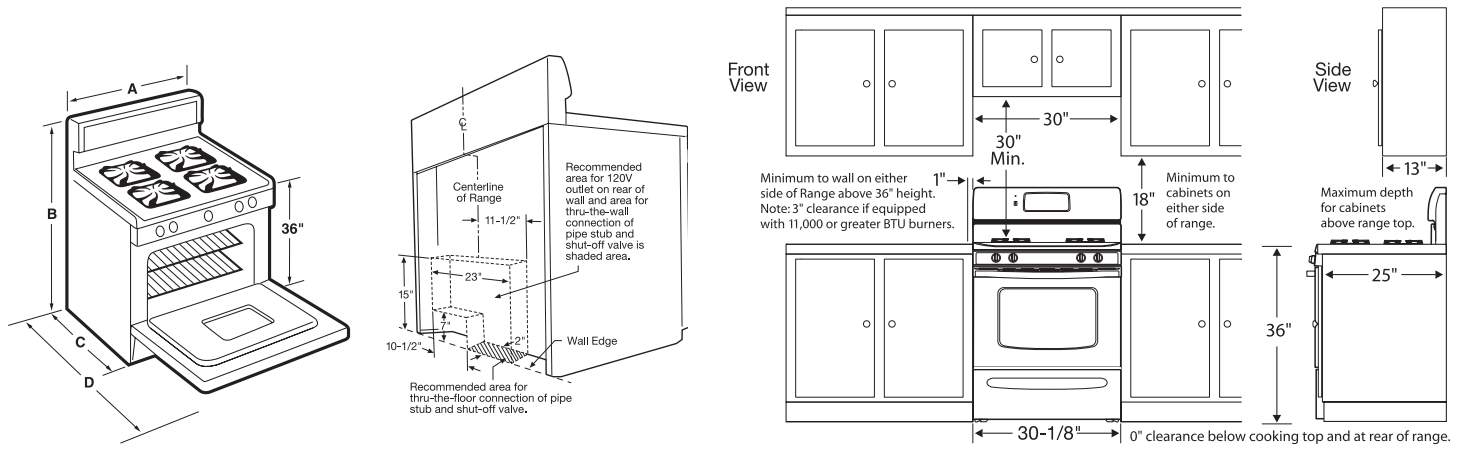


FGF368GM
012505544958

Installation



MODELS	EXTERIOR DIMENSIONS			
	A. WIDTH	B. HEIGHT	C. DEPTH EXCLUDING HANDLE	D. DEPTH WITH DOOR 90° OPEN
GAS RANGES	29 7/8"	47 3/4"	25 3/4"	46 1/8"

Oven Dimensions	Width	Height	Depth
5.0 Cu. Ft. Flat Bottom	24 3/8"	17 3/8"	19 3/4"

Sealed Burner Ratings:	
Maximum Output	Low Turn-Down Output
14,000 BTU Natural Gas / 11,000 BTU LP Gas	1,500 BTU Natural Gas
11,000 BTU Natural Gas / 10,000 BTU LP Gas	1,200 BTU Natural Gas
9,500 BTU Natural Gas / 8,000 BTU LP Gas	850 BTU Natural Gas
5,000 BTU Natural Gas / 4,500 BTU LP Gas	500 BTU Natural Gas

Oven Burner Ratings:
Bake: 18,000 BTU Natural Gas / 16,000 BTU LP Gas
Broil: 14,000 BTU Natural Gas / 13,500 BTU LP Gas

Important: Because of continuing product improvements, Electrolux Major Appliances reserves the right to change specifications without notice. Dimension and cutout information is for planning purposes only. For complete installation details consult manual packed with product, or download manual at Customer Service, online at www.frigidaire.com.