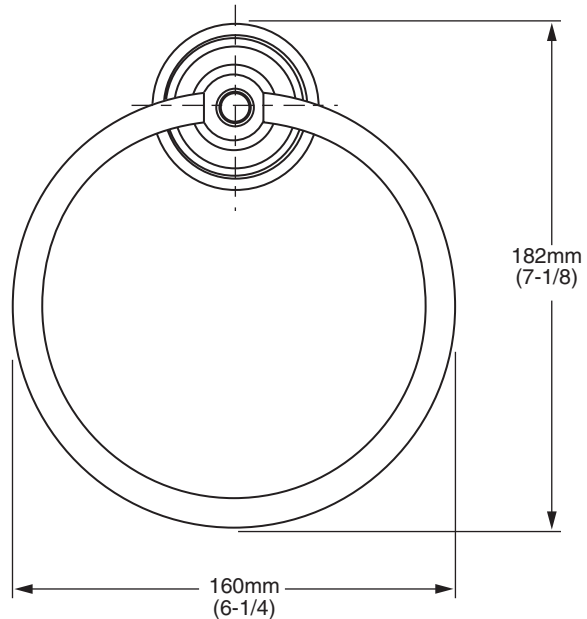
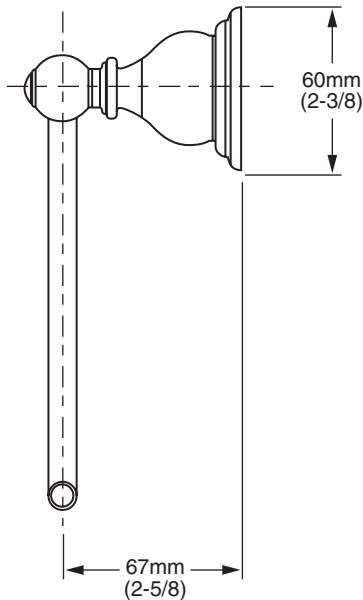


MODEL NUMBER:

❑ 8040.190 - Towel Ring

Available Finishes

.228	Polished Chrome w/extra PVD Polished Brass accents
.234	PVD Satin Nickel w/extra Polished Chrome accents
.246	PVD Satin Nickel w/extra PVD Polished Brass accents
.099	PVD Polished Brass



PRODUCT FEATURES:

Materials of Construction:

- Solid brass construction for durability and long life.
- Bushing on towel ring to prevent scratching and squeaking.

Concealed Mounting: No exposed set screws.

Easy to Install

Choice of Finishes: Chrome, PVD Brass and PVD Satin Nickel. PVD finish on all Polished Brass and Satin Nickel components will never tarinsh.

SUGGESTED SPECIFICATION:

Towel Ring shall feature solid brass construction with tarnish - free PVD finish on all Polished Brass and Satin Nickel components. Shall feature concealed mounting with no exposed set screws. Towel Ring shall have bushing to prevent scratching and squeaking. Towel Ring shall be American Standard Model # 8040.190.____.