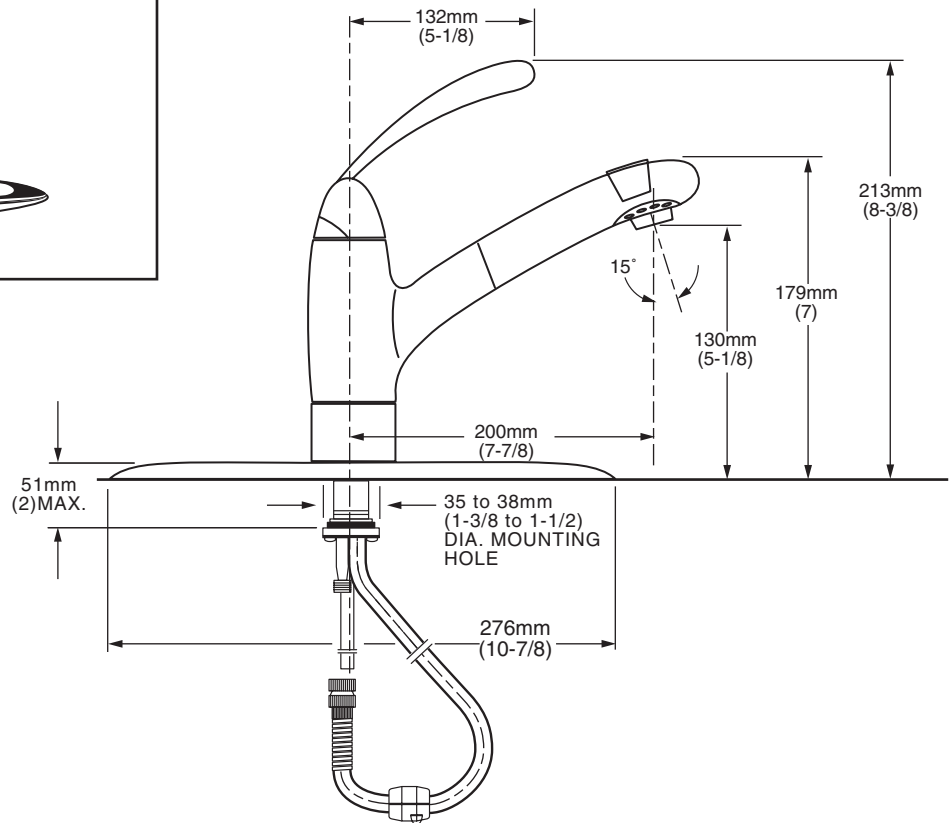




**MODEL NUMBER:**

- ☐ **4137.100 Kitchen Faucet with Pull Out Spray**  
 Escutcheon plate (installation is optional).



**GENERAL DESCRIPTION:**

Cast Brass body with stamped brass escutcheon plate. Pull-out swivel spray spout. Hose is 1250mm (4') long. Washerless 40mm ceramic disc valve cartridge. 3/8" O.D. copper supplies with 1/2" male threaded connectors and nuts. Complete with two integral check valves and vacuum breaker. 2.2 gpm/8.3L/min. maximum flow rate. Fitting can be mounted with or without supplied escutcheon plate (escutcheon size 10-7/8"L x 2-1/2"W x 9/16"H).

**PRODUCT FEATURES:**

- Ceramic Disc Valve Cartridge:** Assures smooth, precise valve control and a lifetime of drip-free, maintenance-free performance.
- Brass and Copper Waterway:** Highest quality materials for durability & long life.
- Memory Position Valving:** Allows user to turn valve on and off at preferred temperature setting without readjusting handle position each time.
- Low Lead:** Meets NSF Standard 61/Section 9 & Prop 65 lead requirements.
- Integral Check Valves and Vacuum Breaker:** Prevent back flow.
- Pull-out Spray Spout:** Switches water flow from a stream to a spray. Simplifies even the most difficult cleaning tasks.
- Choice of Finishes:** Wide range of durable finishes.

**SUGGESTED SPECIFICATION:**

Single control kitchen faucet shall feature a cast brass body with pull-out spray swivel spout with two check valves and vacuum breaker. Shall also feature washerless ceramic disc valve cartridge. Fitting shall be American Standard Model # 4137.100.\_\_\_\_\_

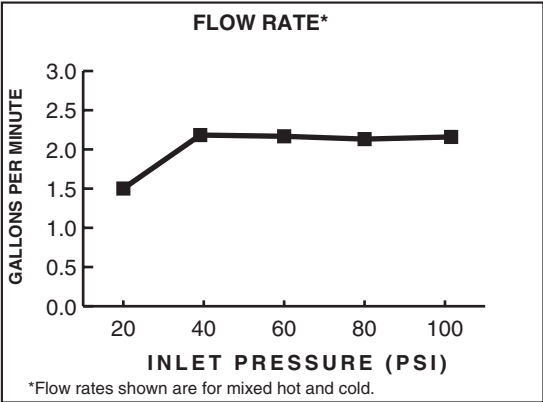


**CULINAIRE™**  
**SINGLE CONTROL KITCHEN FAUCET**  
**WITH PULL-OUT SPRAY**

**CODES AND STANDARDS**

These products meet or exceed the following codes and standards:

- ANSI A117.1**
- ASME A112.18.1**
- NSF 61/Section 9**
- CSA B125**



Product Number	Description	Finish Options*			
		Polished Chrome	PVD Blackened Bronze	PVD Stainless Steel	PVD Satin Nickel
		002	068	075	295
4137.100	Kitchen Combi faucet. 3/8" O.D. copper inlets with 1/2" male adaptors and nuts.				

Meets the American Disabilities Act Guidelines and **ANSI A117.1** Requirements for the physically challenged.

**\*EverClean™ Finish:**

- Offered on Polished Chrome (002), Stainless Steel (075) and Satin Nickel (295) finish.
- One wipe effortlessly removes spots.
- Eliminates the need for cleaners and scrubbing.