

DOUBLE ACRYLIC ROLL TOP TUB

Cat. No.
ADTR60



L: 60 1/2"
W: 29 1/2"
H: 23" (from floor)
18" (from bottom of tub)

The following is recommended for ADTR60 tubs

- Tub wall-mounted faucets
- Double offset bath supplies: **Part# 5576**
- Leg tub drain: **Part# 5599**

Do not use with rigid, freestanding supplies

Gallon Capacity: 40
Shipping Weight: 110 lbs.
Empty Weight: 62 lbs.
Filled Weight: 410 lbs.

Features:

- ▶ Inside finish is either white or bisque to match outside color
- ▶ 3 3/8" centers in tub wall
- ▶ Cast aluminum ball and claw feet available in 8 finishes
- ▶ Smooth acrylic surface inside and out
- ▶ Tubs ship with feet attached and leveled
- ▶ Tubs thoroughly inspected before shipment

Foot Finishes

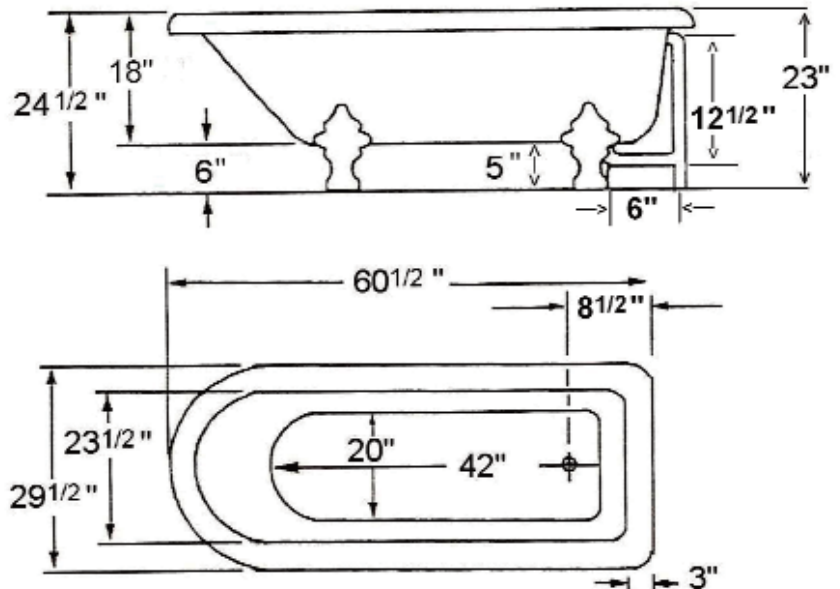
BQ Bisque
BL Black
BP Polished Brass
CP Polished Chrome
BN Brushed Nickel
ORB Oil Rubbed Bronze
PN Polished Nickel
WH White

Tub Colors

WH White
BQ Bisque



Custom Colors Available (inside of tub is always white enamel):
Painted bathtubs are considered "special order" and are not returnable
\$160 Bisque or Black \$250 Designer Color



Dimensions are nominal and specifications subject to change without notice.