

60" CAST IRON ROLL TOP TUB

Cat. No.
CTR60



L: 60 3/4"
W: 30 1/2"
H: 23 1/4" (from floor to top of tub)
18 5/8" (from bottom of tub to top of tub)

Meets or exceeds the following specifications: A112-19-1M 1994.

The following is recommended for CTR60 tubs with faucet holes:

- Tub wall-mounted faucets or hand-held showers: part# 4022, 4025 or 4035
- Tub wall-mounted faucets for use with risers: part# 4001, 4023, 4030 or 4031
- Double offset bath supplies: part #5576
- Leg tub drain: part #5599
- Complete shower unit: part# 4124, 4143

Gallon Capacity: 40
Shipping Weight: 500 lbs.
Empty Weight: 287 lbs.
Filled Weight: 622 lbs.

Features:

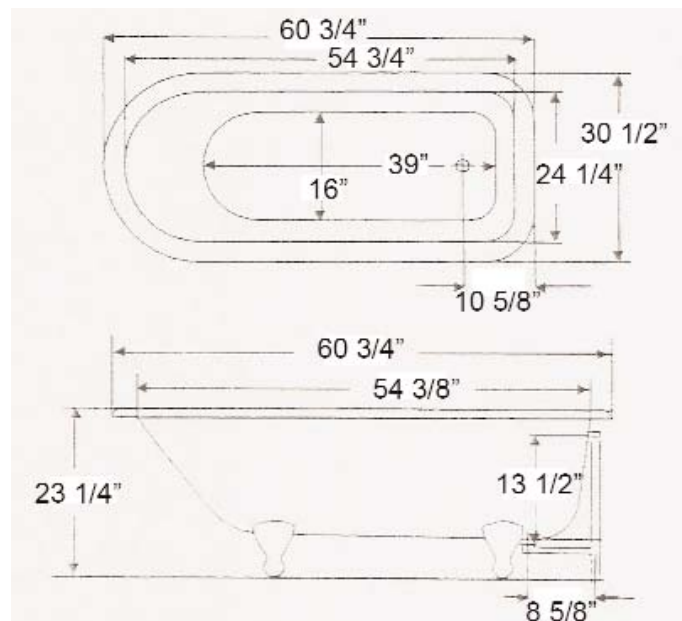
- ▶ Inside finish is white enamel
- ▶ Ball and claw feet available in 6 finishes or unfinished
- ▶ Tub exterior is white (epoxy)
- ▶ 3 3/8" centers in tub wall
- ▶ Non-skid strips
- ▶ Feet are attached and leveled before shipment
- ▶ Tub is thoroughly inspected before shipment

Foot Finishes:

BP Polished Brass
CP Polished Chrome
PN Polished Nickel
SN Brushed Nickel
WH White
ORB Oil-rubbed Bronze



Custom Colors Available (inside of tub is always white enamel):
Painted bathtubs are considered "special order" and are not returnable
\$160 Bisque or Black \$250 Designer Color



Dimensions of fixture are nominal and may vary within the range of tolerances established by ANSI Standard A112.19.2. Dimensions and specifications subject to change without notice.

RECTANGULAR SHOWER UNIT

Cat. No.
4190



Features:

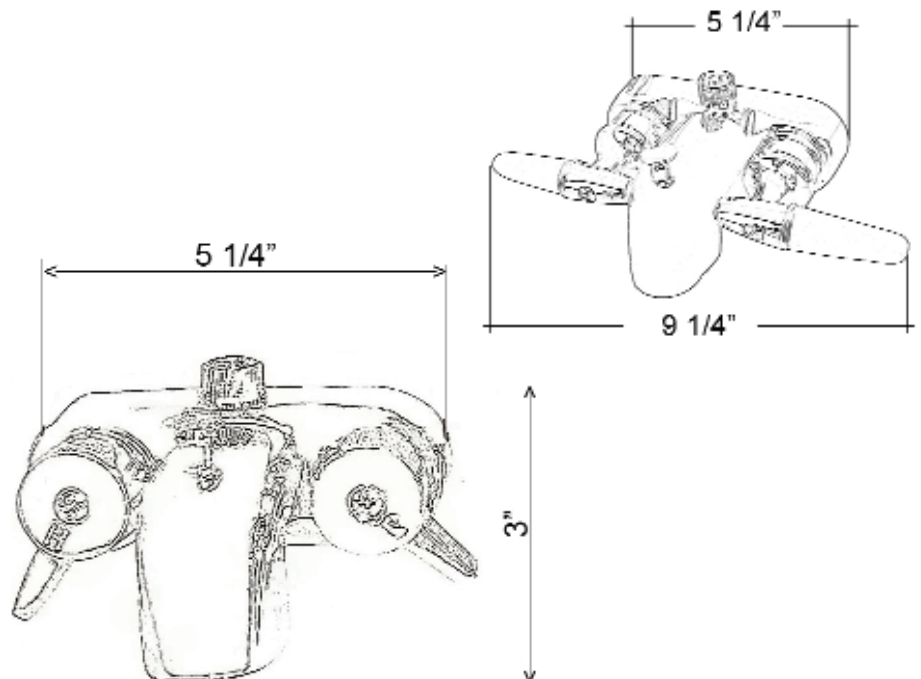
- ▶ 3/4" Solid Brass Tubing
- ▶ Includes Washerless Diverter Bathcock
- ▶ 3-3/8" Centers for Tub Wall Mount Installation
- ▶ 1/4 Turn Compression Stems
- ▶ Includes Ceiling and Wall Support Assemblies
- ▶ Supports are Adjustable by Cutting
- ▶ Plastic Shower Head Included
- ▶ Flow Rate is 4 GPM
- ▶ Chrome Finish Has Metal Handles
- ▶ Brass Finish Has Plastic Handles
- ▶ Available In 2 Sizes 48", and 54"
(#4190-48, #4190-54)

Finishes:

- CP** Polished Chrome
- BP** Polished Brass

L: 48" D: 24"
L: 54" D: 24"

Riser Height: 62"
Faucet Width: 5 1/4"
Wall Support: 10"
Ceiling Support: 30"



Dimensions are nominal and may vary. Dimensions and specifications subject to change without notice.

DOUBLE OFFSET BATH SUPPLIES

Cat.No.
5576



H: 24"

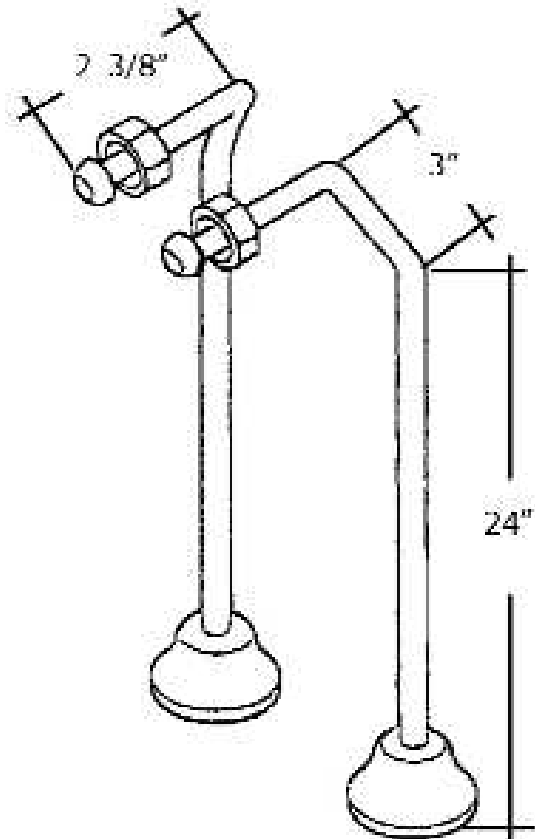
OD: 1/2"

Features:

- ▶ For Use with Faucets Mounted to the Tub Wall
- ▶ No Stops
- ▶ 1/2" Compression Inlet
- ▶ 3/4" Compression Outlet
- ▶ Available in 5 Finishes

Finishes:

- CP** Polished Chrome
- BP** Polished Brass
- PN** Polished Nickel
- SN** Brushed Nickel
- ORB** Oil Rubbed Bronze



Dimensions and specifications subject to change without notice.

LEG TUB DRAIN

Cat. No.
5599



Escutcheon Height is 1 1/4"

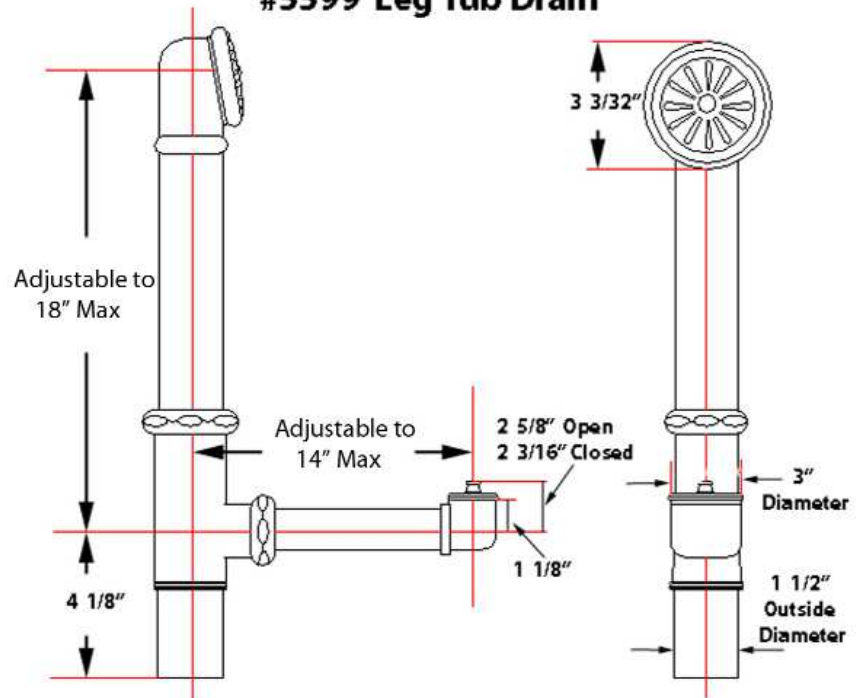
Features:

- ▶ Twist-and-Lift Stopper
- ▶ Includes Deep Escutcheon
- ▶ Available in 5 Finishes

Finishes:

- CP Polished Chrome
- BP Polished Brass
- SN Brushed Nickel
- PN Polished Nickel
- ORB Oil Rubbed Bronze

#5599 Leg Tub Drain



Dimensions and specifications subject to change without notice.