

# 68" CAST IRON ROLL TOP TUB W/ 7" DECK HOLES

Cat. No.  
CTR7H67



L: 68"  
W: 30 1/2"  
H: 23 1/4" (from floor to top of tub)  
18 5/8" (from bottom of tub to top of tub)



Meets or exceeds the following specifications: A112-19-1M 1994.

**The following is recommended for CTR7H60 tubs with deck holes:**

- Rim-mounted faucet: part #4601
- Straight bath supplies: part #5577
- Leg tub drain: part #5599
- Complete shower unit: part #4063

Gallon Capacity: 57  
Shipping Weight: 502 lbs.  
Empty Weight: 309 lbs.  
Filled Weight: 787 lbs.

## Features:

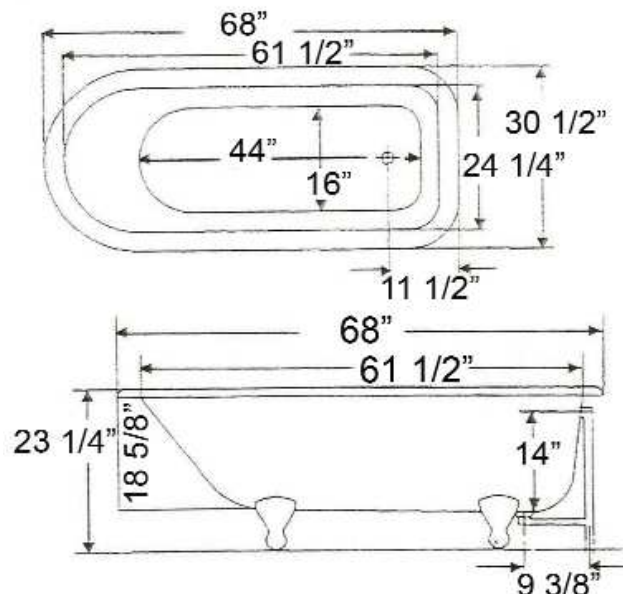
- ▶ Inside finish is white enamel
- ▶ Ball and claw feet available in 6 finishes or unfinished
- ▶ Tub exterior is white (epoxy)
- ▶ 7" centers in tub deck
- ▶ Non-skid strips
- ▶ Feet attached and leveled before shipment
- ▶ Tub thoroughly inspected before shipment

## Foot Finishes:

- BP Polished Brass
- CP Polished Chrome
- PN Polished Nickel
- SN Brushed Nickel
- WH White
- ORB Oil-rubbed Bronze



**Custom Colors Available** (inside of tub is always white enamel):  
Painted bathtubs are considered "special order" and are not returnable  
\$160 Bisque or Black \$250 Designer Color



Dimensions of fixture are nominal and may vary within the range of tolerances established by ANSI Standard A112.19.2. Dimensions and specifications subject to change without notice.

# TUB RIM MOUNT FILLER WITH HANDSHOWER

Cat. No.  
4601



## Features:

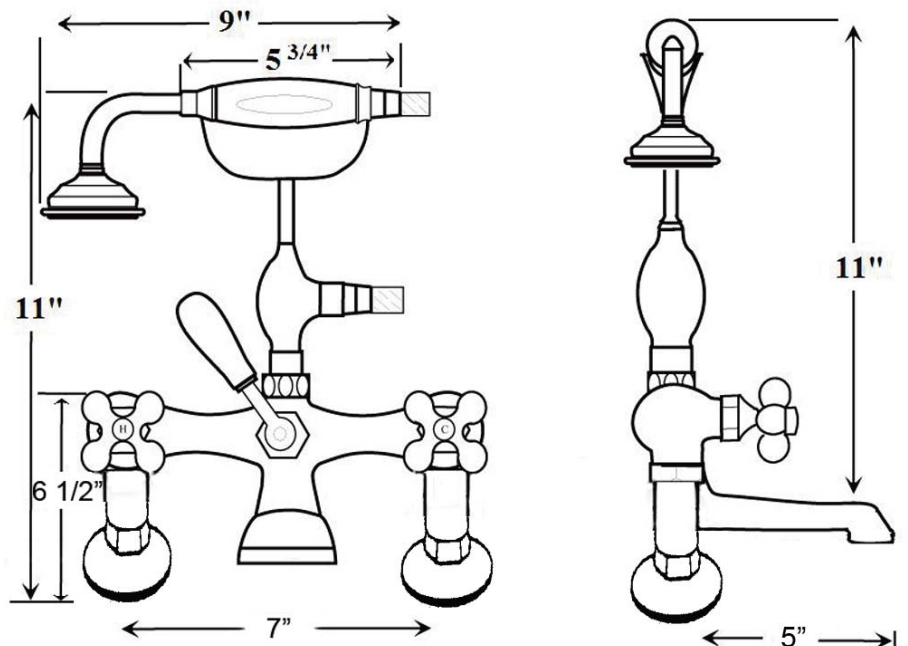
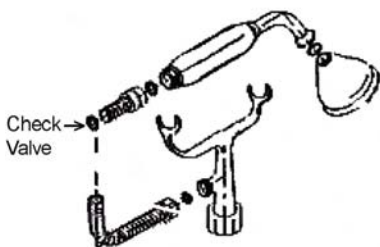
- ▶ Brass Construction
- ▶ Elephant Spout
- ▶ Telephone Style Hand Shower with Cradle and Hose
- ▶ Handshower includes Backflow Preventer
- ▶ 6" Elbow Mounts Included
- ▶ Spout Length is 5"
- ▶ 7" Centers for deck mount installation
- ▶ 1/4" turn ceramic disc cartridges
- ▶ Flow rate for spout is 3.70 GPM @ 80 PSI
- ▶ Flow rate for handshower is 2.5 GPM
- ▶ To Be Used with Straight Bath Supplies, Part #5577

## Finishes:

- |                           |                              |
|---------------------------|------------------------------|
| <b>BP</b> Polished Brass  | <b>PN</b> Polished Nickel    |
| <b>CP</b> Polished Chrome | <b>ORB</b> Oil Rubbed Bronze |
| <b>SN</b> Brushed Nickel  |                              |



6" Elbow Mounts



Dimensions are nominal and may vary. Dimensions and specifications subject to change without notice.

# STRAIGHT BATH SUPPLIES

Cat.No.

5577



## BARCLAY



H: 24"

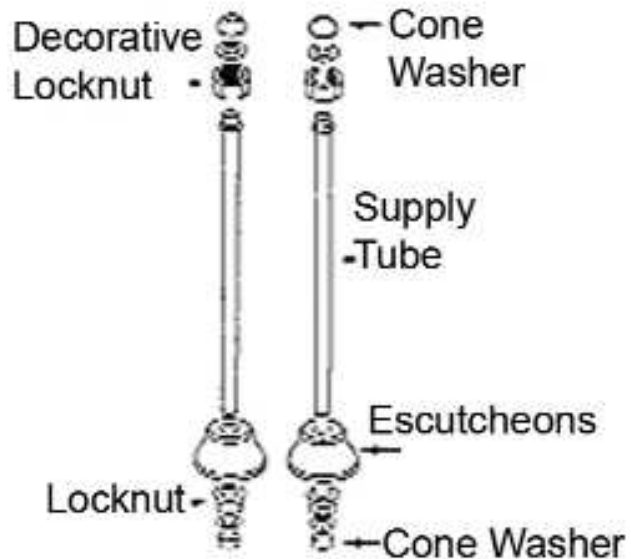
OD: 1/2"

### Features:

- ▶ For Use with Faucets Mounted to the Tub Deck
- ▶ No Stops
- ▶ 1/2" Compression Inlet
- ▶ 3/4" Compression Outlet
- ▶ Bottom Flange 2 1/2" diameter
- ▶ Available in 5 Finishes

### Finishes:

- CP** Polished Chrome
- BP** Polished Brass
- PN** Polished Nickel
- SN** Brushed Nickel
- ORB** Oil Rubbed Bronze



Dimensions and specifications subject to change without notice.

# LEG TUB DRAIN

Cat. No.  
5599



Escutcheon Height is 1 1/4"

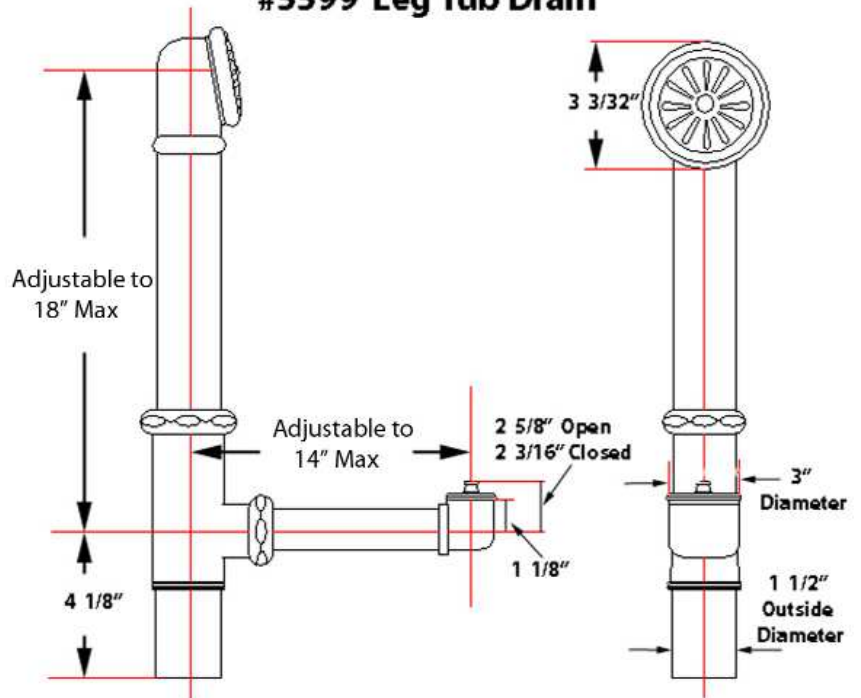
## Features:

- ▶ Twist-and-Lift Stopper
- ▶ Includes Deep Escutcheon
- ▶ Available in 5 Finishes

## Finishes:

- CP Polished Chrome
- BP Polished Brass
- SN Brushed Nickel
- PN Polished Nickel
- ORB Oil Rubbed Bronze

## #5599 Leg Tub Drain



Dimensions and specifications subject to change without notice.