

Features

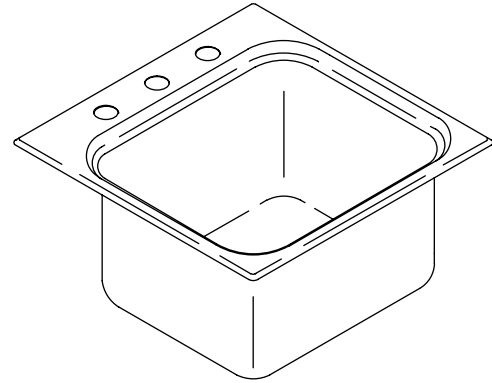
- 18-gauge stainless steel
- Self-rimming
- Single compartment
- Includes installation hardware
- 3-hole (-3) or single-hole (-1)
- 19" (48.3 cm) x 19" (48.3 cm)

Codes/Standards Applicable

Specified model meets or exceeds the following:

- ASME A112.19.3/CSA B45.4

SELF-RIMMING UTILITY SINK K-3260



Colors/Finishes

- NA: None applicable

Accessories:

- CP: Polished Chrome
- Other: Refer to Price Book for additional colors/finishes

Specified Model

Model	Description	Colors/Finishes	
K-3260-3	3-hole utility sink	<input type="checkbox"/> NA	
K-3260-1	Single-hole utility sink	<input type="checkbox"/> NA	
Optional Accessories			
K-8801	Duostrainer® sink strainer	<input type="checkbox"/> CP	<input type="checkbox"/> Other_____

Product Specification

The self-rimming utility sink shall be 19" (48.3 cm) in length and 19" (48.3 cm) in width. Sink shall be made of 18 gauge stainless steel. Sink shall be single compartment. Sink shall be 3-hole (-3) or single-hole (-1). Sink shall include installation hardware. Sink shall be Kohler Model K-3260-_____.

BALLAD

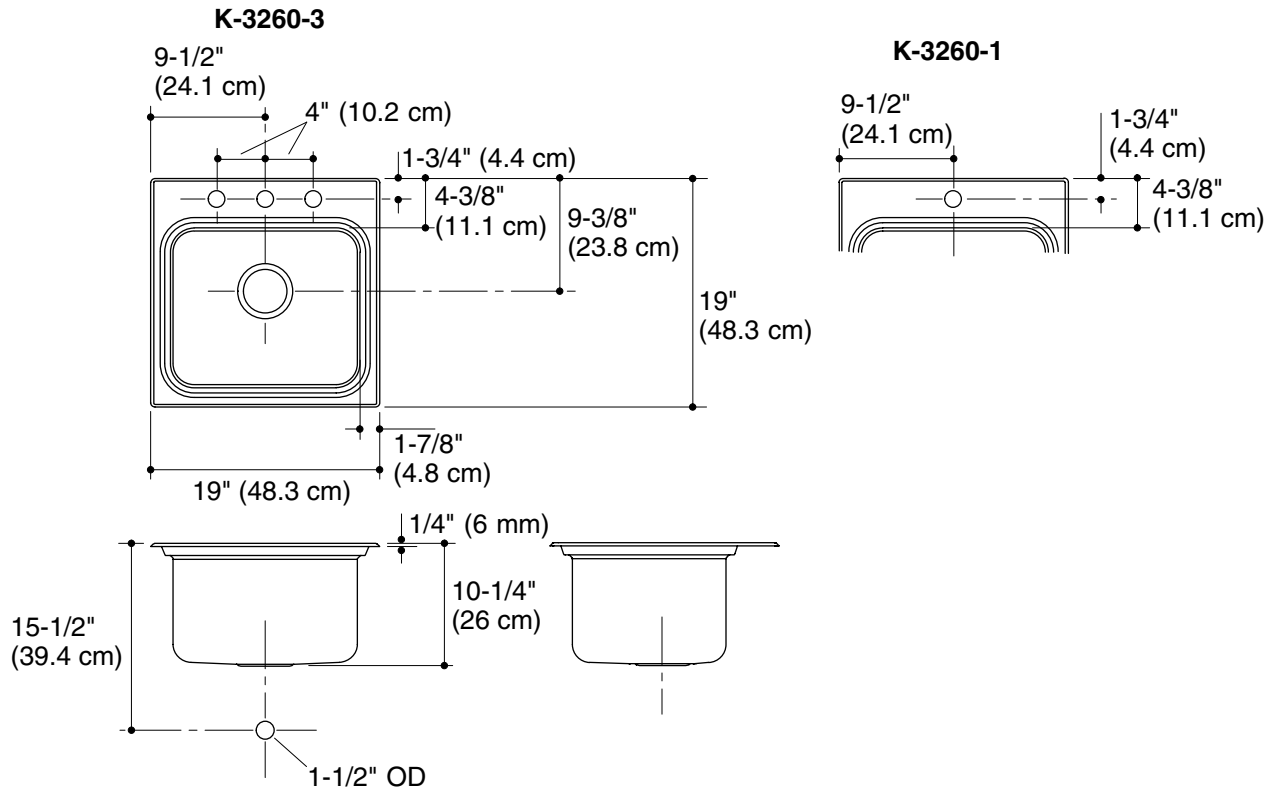
Technical Information

Fixture*:	
Basin area	15-1/4" (38.7 cm) x 12-3/4" (32.4 cm)
Water depth	10" (25.4 cm)
Drain hole	3-5/8" (9.2 cm) D.
Faucet holes	1-7/16" (3.7 cm) D.
*Approximate measurements for comparison only.	
Included components:	
Fastener pack	1023180

Installation Notes

Install this product according to the installation guide.

Cutout is 18-1/2" (47 cm) x 18-1/2" (47 cm) with 1/2" (1.3 cm) radius corners.



Product Diagram

BALLAD SELF-RIMMING UTILITY SINK

Page 2 of 2
111037-4-BC

THE BOLD LOOK
OF **KOHLER**