

**SELF-CLOSING FAUCET
K-7504**

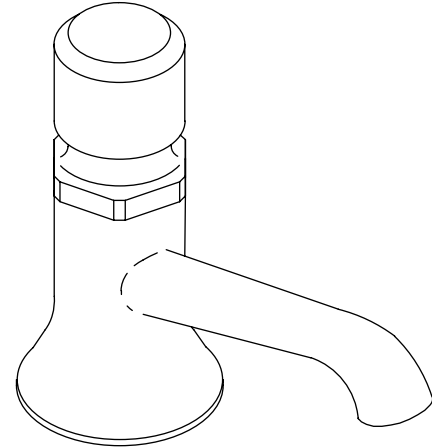
Features

- Brass construction
- Metering valve
- 3-1/2" (8.9 cm) spout
- Push button
- Less drain

Codes/Standards Applicable

Specified model meets or exceeds the following:

- ASME A112.18.1/CSA B125.1
- IAPMO/cUPC



Colors/Finishes

- CP: Polished Chrome

Specified Model

Model	Description	Colors/Finishes
K-7504-C	Self-closing faucet, cold	<input type="checkbox"/> CP
K-7504-H	Self-closing faucet, hot	<input type="checkbox"/> CP

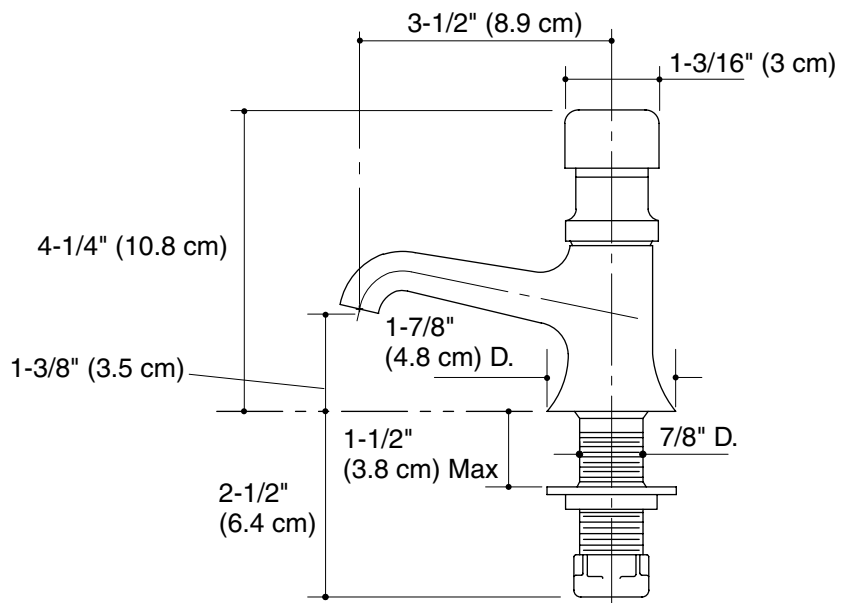
Product Specification

Self-closing lavatory faucet shall be of brass construction. Faucet shall be less drain. Faucet shall include self-closing metering valve, 3-1/2" (8.9 cm) spout, and push button. Cold water faucet shall be Kohler Model K-7504-C-CP. Hot water faucet shall be Kohler Model K-7504-H-CP.

SIGNAL

Installation Notes

Install this product according to the installation guide.



Product Diagram