

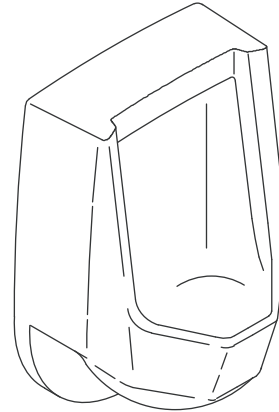
Features

- Vitreous china
- Siphon jet
- 3/4" rear spud
- 1.0 gpf (3.8 lpf)
- Includes inlet and outlet spuds and hangers

Codes/Standards Applicable

Specified model meets or exceeds the following:

- ASME A112.19.2/CSA B45.1



Colors/Finishes

- 0: White
- Other: Refer to Price Book for additional colors/finishes

Accessories

- CP: Polished Chrome

Specified Model

Model	Description	Colors/Finishes	
K-4989-R	3/4" rear spud urinal	<input type="checkbox"/> 0	<input type="checkbox"/> Other_____
Recommended Accessories			
K-10961	Touchless DC siphon jet urinal flushometer – 1.0 gpf (3.8 lpf)	<input type="checkbox"/> CP	
K-13521	Manual siphon jet urinal flushometer – 1.0 gpf (3.8 lpf)	<input type="checkbox"/> CP	

Product Specification

Siphon jet urinal shall be made of vitreous china with a 3/4" rear spud. Urinal shall include inlet and outlet spuds and hangers. Urinal shall use 1.0 gpf (3.78 lpf). Urinal shall be Kohler Model K-4989-R-_____.

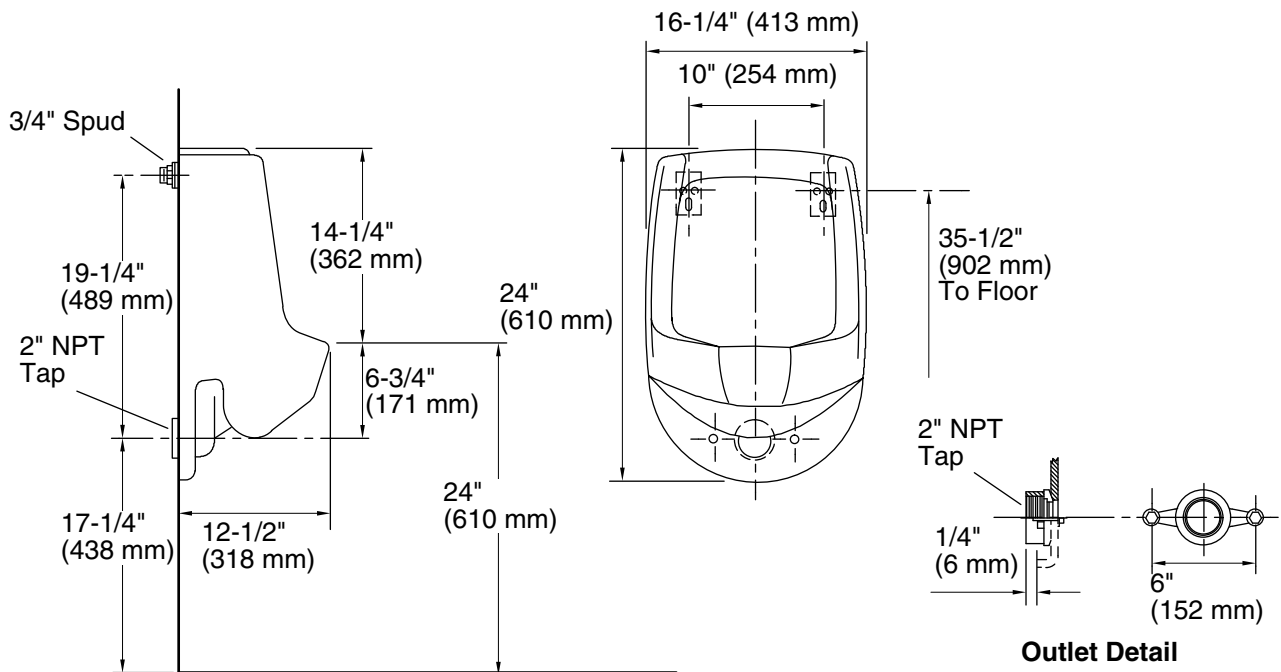
FRESHMAN™

Technical Information

Fixture:	
Configuration	Rear spud
Water per flush	1.0 gal (3.8 L)*
Spud inlet size	3/4"
* Designed to flush with 1.0 gal (3.8 L) of water when installed with a water-saving flushometer.	
Included components:	
3/4" inlet spud	18376
Hanger (2 required)	64512

Installation Notes

Install this product according to the installation guide.



Product Diagram