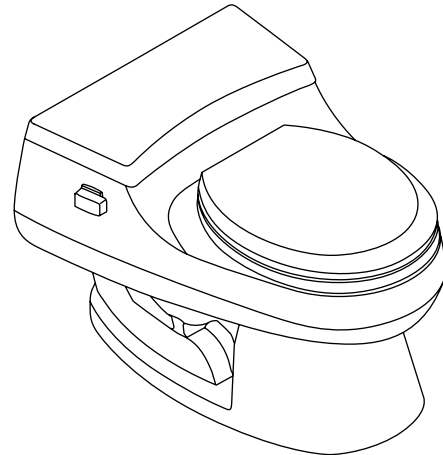


ROUND-FRONT TOILET K-3386

Features

- 12" (30.5 cm) rough-in
- Vitreous china
- One-piece
- Round-front
- Less supply
- 1.6 gpf (6 lpf)
- Polished chrome trip lever
- EPDM flapper
- Rim Jet system
- Includes French Curve™ seat
- 8-1/2" (21.6 cm) x 8-1/2" (21.6 cm) water area
- 25-1/4" (64.1 cm) x 21-1/8" (53.7 cm) x 22-3/4" (57.8 cm)



Codes/Standards Applicable

Specified model meets or exceeds the following:

- ASME A112.19.2/CSA B45.1
- Energy Policy Act of 1992

Colors/Finishes

- 0: White
- Other: Refer to Price Book for additional colors/finishes

Accessories

- PB: Vibrant® Polished Brass
- Other: Refer to Price Book for additional colors/finishes

Specified Model

Model	Description	Colors/Finishes	
K-3386	Round-front toilet	<input type="checkbox"/> 0	<input type="checkbox"/> Other_____
Optional Accessories			
K-9430	Trip lever (non-CP)	<input type="checkbox"/> PB	<input type="checkbox"/> Other_____
1098662	Brass riser kit (when local codes require a rigid water supply)		

Product Specification

The round-front one-piece toilet shall be made of vitreous china. Toilet shall be 25-1/4" (64.1 cm) in length, 21-1/8" (53.7 cm) in width, and 22-3/4" (57.8 cm) in height with a 8-1/2" (21.6 cm) x 8-1/2" (21.6 cm) water area. Toilet shall be 12" (30.5 cm) rough-in and 1.6 gpf (6 lpf). Toilet shall have Rim Jet system. Toilet shall have an EPDM flapper. Toilet shall include French Curve™ seat and polished chrome trip lever. Toilet shall be less supply. Toilet shall be Kohler Model K-3386-_____.

RIALTO®

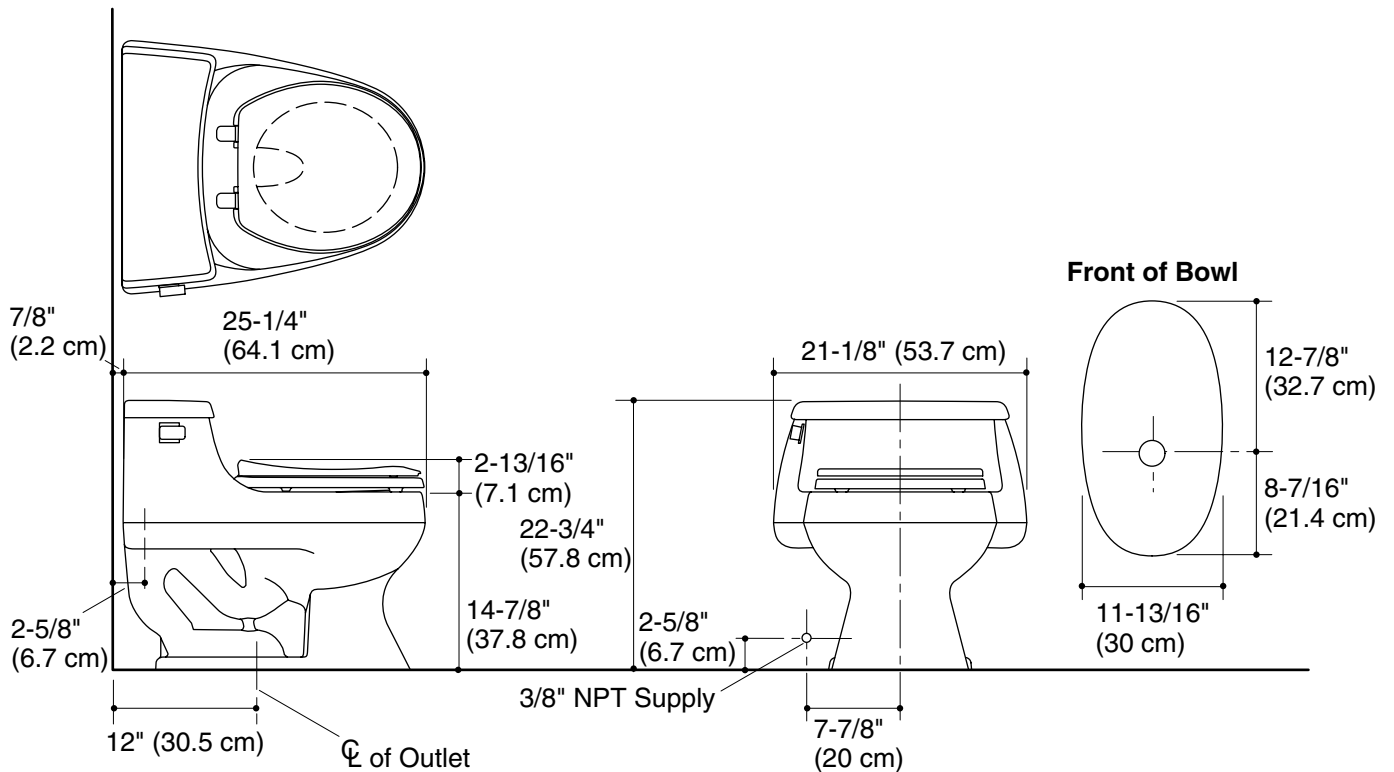
Technical Information

Fixture:	
Configuration	one-piece, round-front
Water per flush	1.6 gal (6 L)
Passageway	2" (5.1 cm)
Water area	8-1/2" (21.6 cm) x 8-1/2" (21.6 cm)
Water depth from rim	6-1/16" (15.4 cm)
Seat post hole centers	5-1/2" (14 cm)

Included components:	
Tank cover	84252
Trip lever	K-9430
Toilet seat	K-4663
Tank accessory pack	84301
Bolt cap accessory pack	52048

Installation Notes

Install this product according to the installation guide.



Product Diagram