

VITREOUS CHINA BIDET K-4896, K-4897

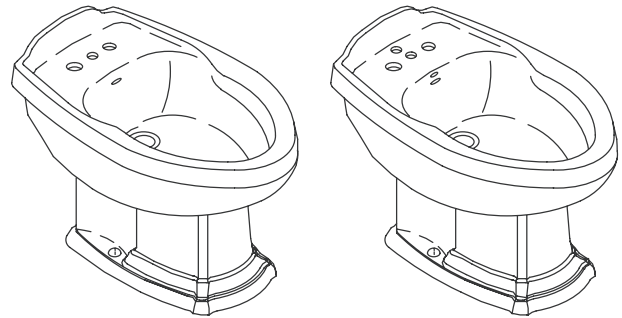
Features

- Vitreous china
- Drilled for fixture-mounted centerset over-the-rim bidet faucet (3-hole) or front fill and vertical spray (4-hole)
- For above or below the floor rough-in
- Available with KOHLER Artist Editions designs

Codes/Standards Applicable

Specified model meets or exceeds the following:

- ASME A112.19.2/CSA B45.1



K-4896

K-4897

Colors/Finishes

- 0: White
- Other: Refer to Price Book for additional colors/finishes

Accessories

- CP: Polished Chrome
- PB: Vibrant® Polished Brass
- Other: Refer to Price Book for additional colors/finishes

Specified Model

Model	Description	Colors/Finishes	
K-4896	3-hole bidet (centerset)	<input type="checkbox"/> 0	<input type="checkbox"/> Other_____
K-4897	4-hole bidet (integral fill and vertical spray)	<input type="checkbox"/> 0	<input type="checkbox"/> Other_____
K-14245-FL	English Trellis artist edition bidet	<input type="checkbox"/> 0	

Recommended Accessories

K-8998	P-Trap	<input type="checkbox"/> CP
--------	--------	-----------------------------

Recommended Faucets for K-4896

K-8240	Taboret® bidet faucet	<input type="checkbox"/> CP	<input type="checkbox"/> PB	<input type="checkbox"/> Other_____
--------	-----------------------	-----------------------------	-----------------------------	-------------------------------------

Refer to the faucet price book for other recommended faucets.

Product Specification

The bidet shall be made of vitreous china. Bidet shall be drilled for fixture-mounted centerset over-the-rim bidet faucet (3-hole) or front fill and vertical spray (4-hole). Bidet shall be available with KOHLER Artist Editions designs. Bidet shall be for above or below the floor rough-in. Bidet shall be 4-hole (K-4897) or 3-hole (K-4896). Bidet shall be Kohler Model K-_____-_____.

PORTRAIT®

Recommended Faucets for K-4897

K-142 Antique™ bidet faucet CP PB Other _____

Refer to the faucet price book for other recommended faucets.

Technical Information

Holes	K-4896	K-4897
Faucet	1-3/8" (3.5 cm) D.	1-3/8" (3.5 cm) D.
Pop-up	1-1/8" (2.9 cm) D.	1-1/8" (2.9 cm) D.
Spray		3/4" (1.9 cm) D.
Diverter		1-5/16" (3.3 cm) D.

Configuration	Faucet deck
Drain hole	1-3/4" (4.4 cm) D.
Included components:	
Floor screws and cap bolts	52049

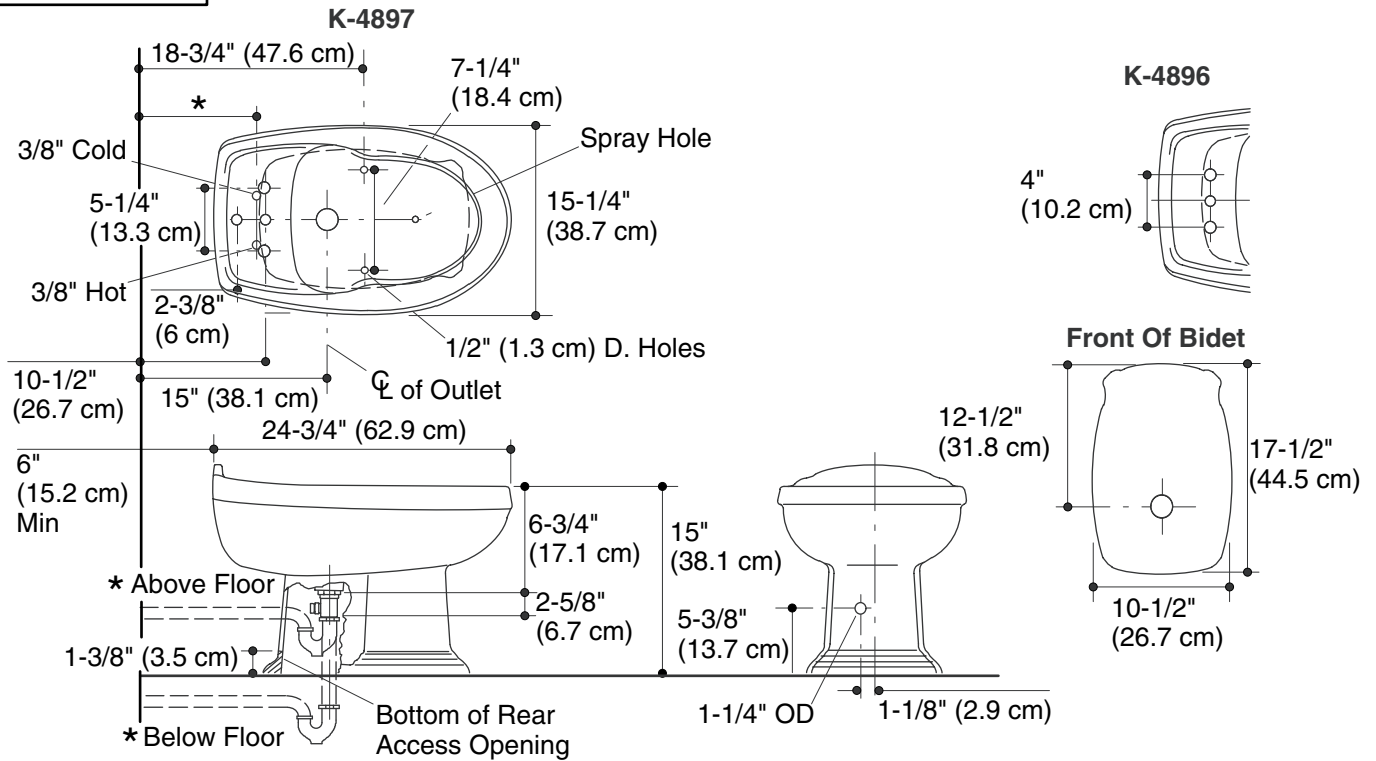
Table 1

Clearances	Minimum clearance between wall and back of bidet	Minimum clearance between wall and water supply lines
Above the floor drain	6" (15.2 cm)	9-3/4" (24.8 cm)
Below the floor drain	6" (15.2 cm)	8-1/2" (21.6 cm)

Installation Notes

Install this product according to the installation guide.

* - See Table 1



Product Diagram