

PRODUCT SPECIFICATIONS

OVERALL ASSEMBLED DIMENSIONS

HEIGHT: 26.7 CM (10-1/2"), WIDTH: 22.9 CM (9"),
EXTENSION: 23.8 CM (9-3/8").

PUMP: UL LISTED. AC 120V, 60HZ, 0.028A, MODEL: PP-300, SUBMERSIBLE FOUNTAIN PUMP.

FOUNTAIN BODY: PAINTED RESIN, 22.9 CM (9") WIDTH x 19.7 CM (7-3/4") EXTENSION x 26 CM (10-1/4") HEIGHT. FELT PAD INSTALLED ON BOTTOM OF FOUNTAIN BODY.

LID: PAINTED RESIN, 7.6 CM (3") WIDTH x 8.3 CM (3-1/4") HEIGHT, SHAPED AS SHOWN.

INCENSE HOLDER: PAINTED RESIN (BRZ FINISH), 28 CM (11") LENGTH x 3.8 CM (1-1/2") WIDTH, SHAPED AS SHOWN.

CORD: UL LISTED, MIN. 183 CM (6') LENGTH, BLACK COLOR. WIRES MUST BE LEAD FREE.

LABELS: MANUFACTURING DATE, MODEL # AND COUNTRY OF ORIGIN LABEL PROVIDED.

PACKAGING AND SHIPPING DETAILS

THE FOUNTAIN IS DISASSEMBLED FOR SHIPPING. THE COMPONENT PARTS ARE CAREFULLY WRAPPED AND PLACED IN THE INNER PACKING SO THAT THEY CAN NOT MOVE DURING SHIPPING. A SMALL BAG OF SILICA IS INCLUDED IN THE PACKAGE.

THE CARTON IS MADE OF DOUBLE WALL CORRUGATED CARDBOARD "A MA A". BROWN IN COLOR. THE INNER PACKING IS DIE-CUT CARDBOARD AND/OR STYROFOAM SUFFICIENT TO PROTECT AND SECURE THE FOUNTAIN AND MUST PASS THE FEDEX AND ISTA-3A DROP TEST REQUIREMENTS.

EACH CARTON SHALL BE PRINTED WITH A LINE DRAWING AND THE KENROY HOME NAME AND LOGO, MODEL NUMBER, EACH CARTON SHALL BE PROVIDED A UPC LABEL. THE UPC BAR CODE AS FOLLOWS: GRY=053392073930.

OTHER DETAILS

MODEL 50330GRY INSTRUCTIONS ARE TO BE PACKED WITH EACH FOUNTAIN. INSTRUCTIONS MUST BE PRINTED CLEARLY ON QUALITY PAPER.

ALL VISIBLE PARTS MUST MATCH FOUNTAIN FINISH UNLESS OTHERWISE SPECIFIED.

ALL BAGS MUST BE LABELED WITH OFFICIAL "THIS BAG IS NOT A TOY" STATEMENT.

ASSEMBLY TIME: 5 MINUTES.

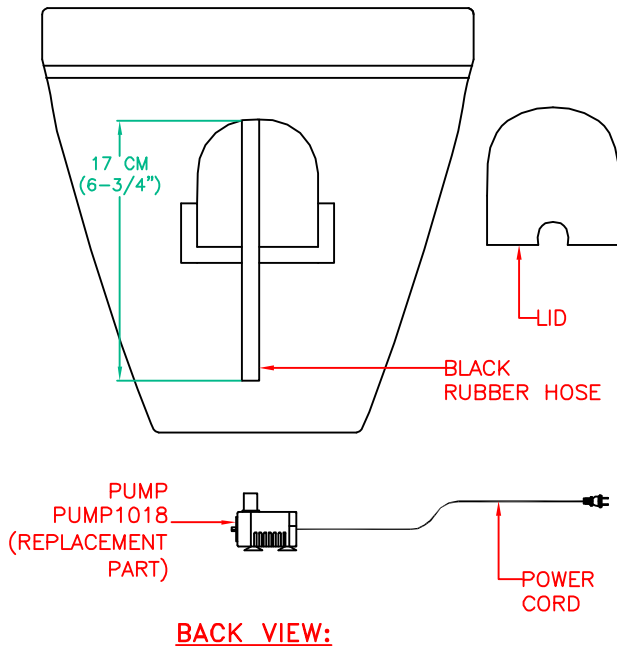
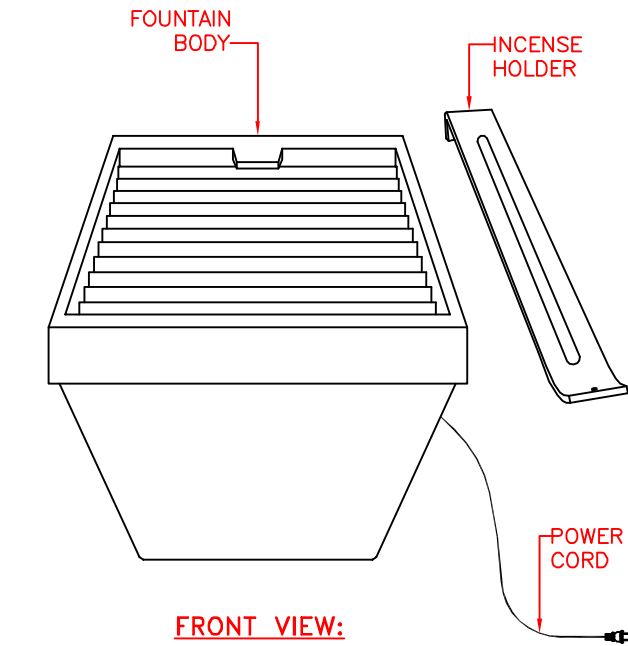
THIS FOUNTAIN IS RATED FOR INDOOR USE.

DIMS OF UNIT BOX: 31.1 CM (12-1/4") LENGTH x 27.6 CM (10-7/8") WIDTH x 26.1 CM (10-1/8") HEIGHT. (CUFT.: 0.8')

DIMS OF MASTER BOX: 53.8 CM (21-3/16") LENGTH x 29.1 CM (11-1/2") WIDTH x 33 CM (13") HEIGHT. (2 PCS/CTN) (CUFT.: 1.8')

NET WEIGHT (UNIT): 4.9 LBS. GROSS WIEGHT (UNIT): 6.4 LBS.

NET WEIGHT (MASTER): 10.1 LBS.
GROSS WIEGHT (MASTER): 12.8 LBS. (2 PCS/CTN)



AVAILABLE PART IS:
PUMP1018 (PUMP)

KENROY HOME 11660 CENTRAL PARKWAY JACKSONVILLE, FL. 32224 PHONE: 904-642-4340 FAX: 904-642-4150	THIS DOCUMENT AND THE INFORMATION THAT IT DISCLOSES IS THE EXCLUSIVE PROPERTY OF KENROY HOME. ANY REPRODUCTION OR USE OF THIS DRAWING IN PART OR IN WHOLE, WITHOUT THE EXPRESS CONSENT OF THE PROPRIETOR IS PROHIBITED. © 2010 KENROY HOME.			REVISION DATE: 5/23/2011 change part number	MODEL #: 50330
	DATE: 11/16/2010	SCALE: NONE	DRAWN BY: JAMES	REVISION DATE:	FINISHES: GRY
	REFERENCE: SUFFOLK INDOOR TABLE FOUNTAIN	APPROVAL:	REVISION DATE:	PAGE: 1 OF 1	