

PRODUCT SPECIFICATIONS

OVERALL ASSEMBLED DIMENSIONS

HEIGHT: 78 CM (30-11/16"), WIDTH: 38 CM (15"),
EXTENSION: 42 CM (16-1/2").

PUMP: UL APPROVED FOR WET LOCATION, MODEL: JP-900, 120 V, 60 HZ, HEAD: 110 CM, FLOW: 600L/H, SUBMERSIBLE FOUNTAIN PUMP.

LID: PAINTED RESIN. 30 CM (11-13/16") DIA. x 8 MM (5/16") THICKNESS.

RESERVOIR: PAINTED RESIN. 38 CM (15") DIA. MAX. x 11 CM (4-5/16") HEIGHT, SHAPED AS SHOWN.

UPPER FRAME: PAINTED RESIN. 27 CM (10-5/8") WIDTH x 42 CM (16-1/2") EXTENSION x 30 CM (11-13/16") HEIGHT.

LOWER FRAME: PAINTED RESIN. 26.5 CM (10-7/16") WIDTH x 37 CM (14-9/19") HEIGHT, SHAPED AS SHOWN.

POWER CORD: UL LISTED, FROM PUMP TO PLUG: MIN. 3 METERS (10 FT.) LENGTH. WIRES MUST BE LEAD FREE.

DECORATIVE RIVER STONES: A BAG OF RIVER STONES (3~5 CM, 4.4 LBS.) ARE INCLUDED.

LABELS: MANUFACTURING DATE, MODEL # AND COUNTRY OF ORIGIN LABEL PROVIDED, WARNING LABEL FOR PARTS AND PARTS ARROW LABEL WERE STUCK ON INSIDE OF BOX.

PACKAGING AND SHIPPING DETAILS

THE FOUNTAIN AND PUMP ARE CAREFULLY WRAPPED IN A PLASTIC BAG AND PLACED SECURELY IN THE INNER PACKING SO THEY CAN NOT MOVE DURING SHIPPING.

THE CARTON IS MADE OF DOUBLE WALL CORRUGATED CARDBOARD "A MA A". BROWN IN COLOR. THE INNER PACKING IS DIE-CUT CARDBOARD AND/OR STYROFOAM SUFFICIENT TO PROTECT AND SECURE THE FOUNTAIN AND MUST PASS THE FEDEX AND ISTA-3A DROP TEST REQUIREMENTS.

EACH CARTON SHALL BE PRINTED WITH MODEL NUMBER AND FINISH, EACH CARTON SHALL BE PROVIDED A UPC LABEL. THE UPC BAR CODE AS FOLLOWS: WG=053392116439.

OTHER DETAILS

MODEL 50199WG INSTRUCTIONS ARE TO BE PACKED WITH EACH FOUNTAIN. INSTRUCTIONS MUST BE PRINTED CLEARLY ON QUALITY PAPER.

ALL VISIBLE PARTS MUST MATCH FOUNTAIN FINISH UNLESS OTHERWISE SPECIFIED.

ALL BAGS MUST BE LABELED WITH OFFICIAL "THIS BAG IS NOT A TOY" STATEMENT.

WE REQUIRED THAT A COLOR PIGMENT CLOSE TO THE FINISH COLOR OF THE FOUNTAIN MUST BE MIXED INTO THE RESIN/MATERIAL PRIOR TO THE MOLD COMPLETION. THIS IS TO ASSURE IF WE HAVE ANY PEELING OF PAINT THE RESIN IS THE SAME COLOR AS THE FINISH OF THIS ITEM.

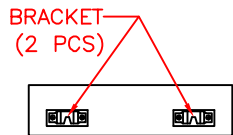
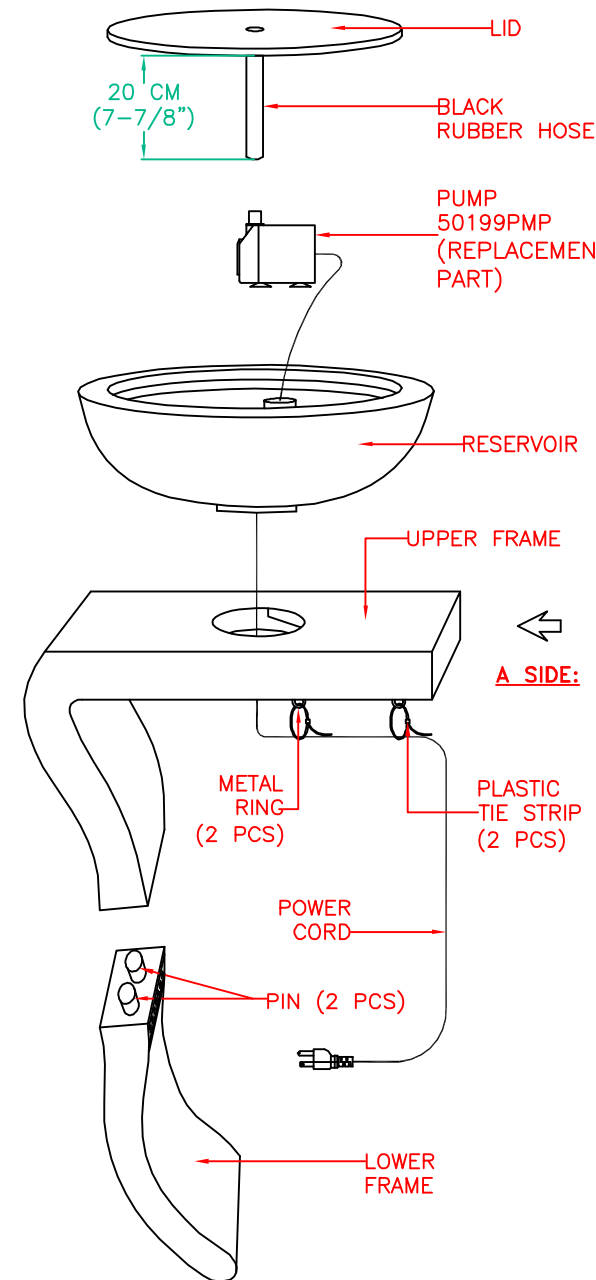
EACH FOUNTAIN SHOULD HAVE A PIGMENT COLOR REFERENCE CHIP FOR THE UNPAINTED GOODS FOR INSPECTION.

ASSEMBLY TIME: 10 MINUTES.

DIMS OF BOX: 53 CM (20-7/8") LENGTH x 43 CM (16-7/8") WIDTH x 44 CM (17-5/16") HEIGHT. (CUFT.: 3.54')

NET WEIGHT: 20.9 LBS. GROSS WEIGHT: 24.2 LBS.

THIS FOUNTAIN RATED FOR OUTDOOR USE.



A SIDE VIEW:

AVAILABLE PART IS:
50199PMP (PUMP)

*REPLACEMENT PART FOR PUMP (50199PMP) SHOULD INCLUDE 3 PIECES PLASTIC TIE STRIPS.

KENROY HOME

11660 CENTRAL PARKWAY
JACKSONVILLE, FL. 32224
PHONE: 904-642-4340
FAX: 904-642-4150

THIS DOCUMENT AND THE INFORMATION THAT IT DISCLOSES IS THE EXCLUSIVE PROPERTY OF KENROY HOME. ANY REPRODUCTION OR USE OF THIS DRAWING IN PART OR IN WHOLE, WITHOUT THE EXPRESS CONSENT OF THE PROPRIETOR IS PROHIBITED. © 2011 KENROY HOME.

DATE: 6/20/2011

SCALE: NONE

DRAWN BY: JAMES

REFERENCE: SINOUS OUTDOOR FLOOR FOUNTAIN

APPROVAL:

REVISION DATE:

REVISION DATE:

REVISION DATE:

REVISION DATE:

MODEL #:

50199

FINISHES:

WEATHERED GRAY

PAGE: 1 OF: 1