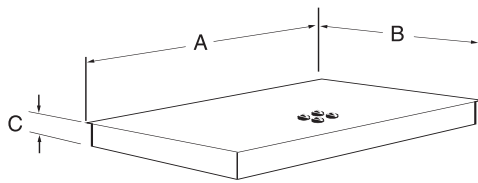
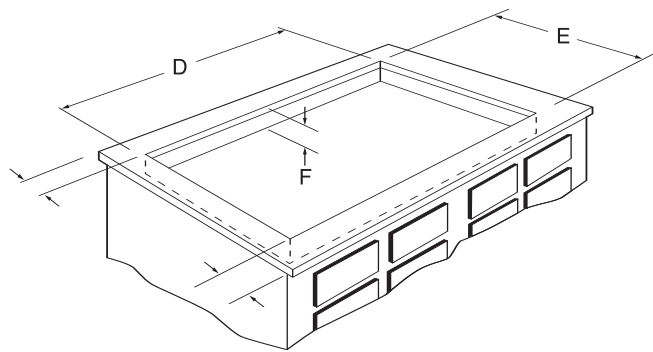


FEC30C4AS
057112079851

Installation



Measured down from countertop edge



Model Size	Exterior Dimensions			Cut-out Dimensions				F - Required U/C Clearance
	A - Width	B - Depth	C - Height	D - Width		E - Depth		
				Min	Max	Min	Max	
30" Cooktop	30"	21 1/2"	3"	26 3/4"	28 1/4"	19 1/8"	20"	5"

Important: Because of continuing product improvements, Electrolux Major Appliances reserves the right to change specifications without notice. Dimension and cutout information is for planning purposes only. For complete installation details consult manual packed with product, or download manual at Customer Service, online at www.frigidaire.com.