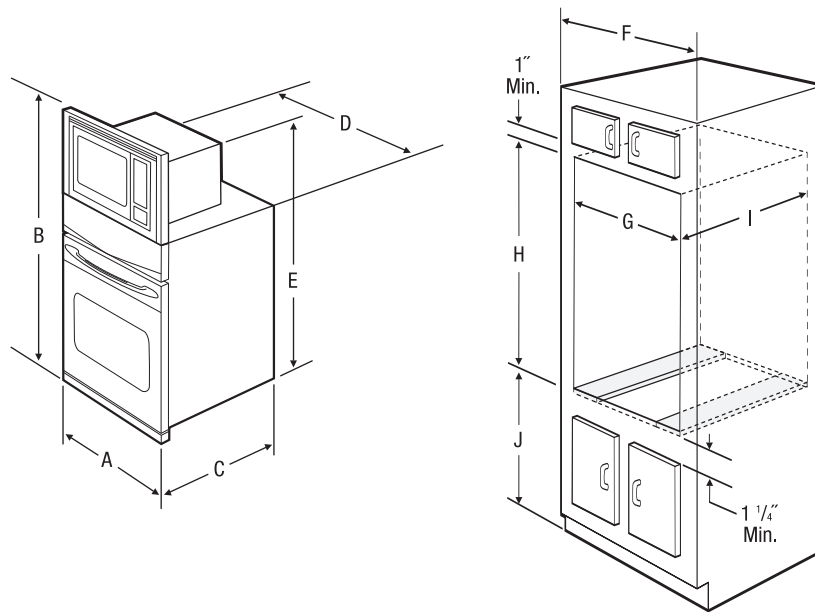


PLEB27M9EC  
057112090344

**Installation**



MODEL SIZE	EXTERIOR DIMENSIONS			WRAPPER DIMENSIONS		CABINET F-SIZE	CUT-OUT DIMENSIONS				CLEARANCE J-TO FLOOR	
	A-WIDTH	B-HEIGHT	C-DEPTH	D-WIDTH	E-HEIGHT		G-WIDTH		H-HEIGHT			I-DEPTH
							MIN	MAX	MIN	MAX		
27" COMBINATION	27"	42 3/4"	24 1/2"	24 5/8"	40 15/16"	27 1/8"	24 1/8"	25 1/4"	41 1/8"	41 1/4"	23 1/2"	11 1/2"

**Important:** Because of continuing product improvements, Electrolux Major Appliances reserves the right to change specifications without notice. Dimension and cutout information is for planning purposes only. For complete installation details consult manual packed with product, or download manual at Customer Service, online at [www.frigidaire.com](http://www.frigidaire.com).