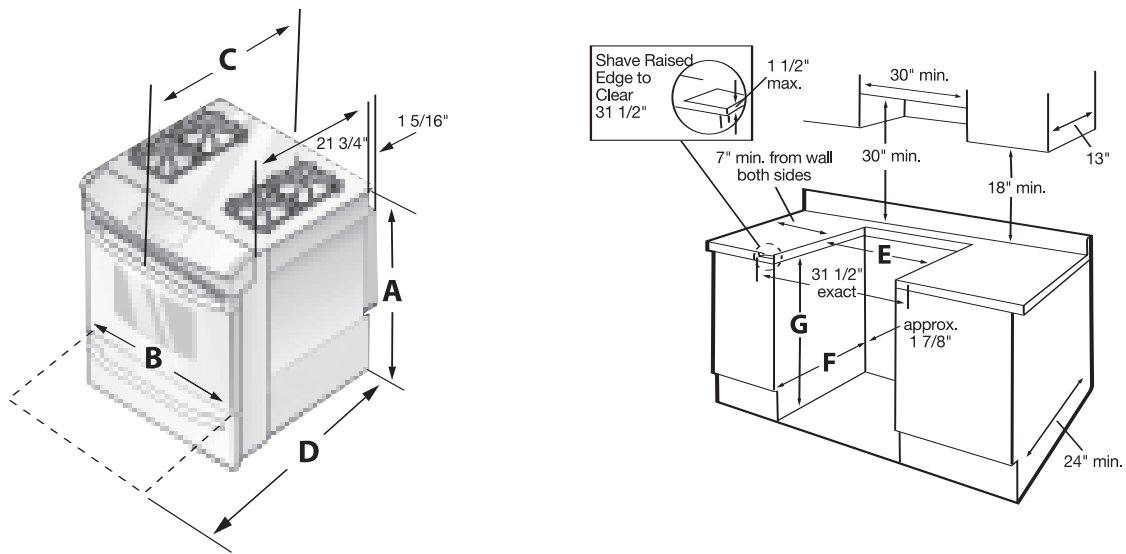


Slide-In Gas Range

FGS366ES

057112090399

Installation



MODELS	EXTERIOR DIMENSIONS				CUT-OUT DIMENSIONS						
	A. HEIGHT MIN.	A. HEIGHT MAX.	B. WIDTH	C. DEPTH TO NOTCH ON BACK OF CONSOLE	C. DEPTH TO EXTREME PROTRUSION	D. DEPTH WITH DOOR 90° OPEN	E. WIDTH	F. DEPTH MIN.	F. DEPTH MAX.	G. HEIGHT MIN.	G. HEIGHT MAX.
ALL-GAS SLIDE-IN RANGES	35 5/8"	36 3/8"	30"	24 3/4"	28"	45 1/4"	30"	21 3/4"	22 1/8"	35 5/8"	36 3/8"

Gas Oven Burner Ratings

Bake – 18,000 BTU Natural Gas / 16,000 BTU LP Gas
Broil – 14,000 BTU Natural Gas / 13,500 BTU LP Gas
 Convection Assist Element: 350 Watts

Sealed Gas Burner Ratings

Maximum Output	Low Turn-Down Output
16,000 BTU Natural Gas / 14,000 BTU LP Gas	1,800 BTU Natural Gas
14,000 BTU Natural Gas / 11,000 BTU LP Gas	1,500 BTU Natural Gas
12,000 BTU Natural Gas / 10,000 BTU LP Gas	1,200 BTU Natural Gas
9,500 BTU Natural Gas / 8,000 BTU LP Gas	850 BTU Natural Gas
5,000 BTU Natural Gas / 4,500 BTU LP Gas	675 BTU Natural Gas

Important: Because of continuing product improvements, Electrolux Major Appliances reserves the right to change specifications without notice. Dimension and cutout information is for planning purposes only. For complete installation details consult manual packed with product, or download manual at Customer Service, online at www.frigidaire.com.