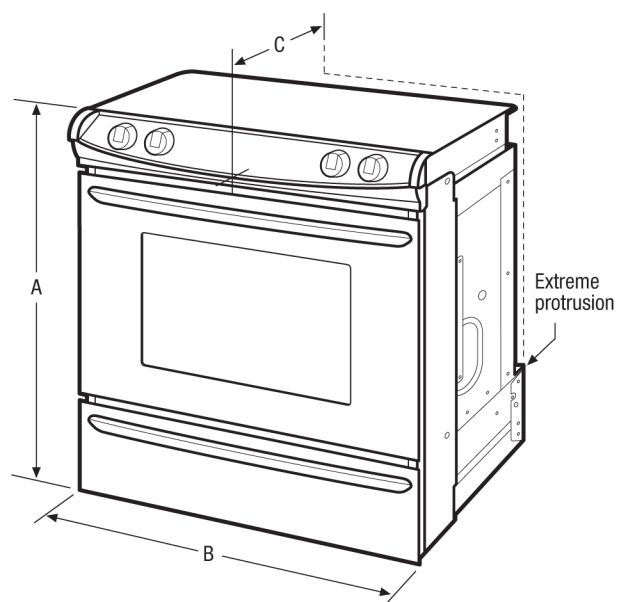


Features	
Oven Control/Timing System	Pro-Select™ Controls
Surface Type	Black Ceramic Glass
Window	Extra-Large
Exterior Door Finish	Stainless Steel
Handle Design	Stainless Steel
Exterior Finish	Black
Convection System	PowerPlus™ Convection
Effortless™ Convection Conversion	Yes
Cleaning System	Self Clean
Drawer Functionality	Warmer
Oven Controls	
Bake	Yes
PowerPlus™ Broil	Yes
Add-a-Minute	Yes
Delay Bake	
Delay Start	
Self Clean	Yes
Kitchen Timer	Yes
Timed Cook Option	Yes
Auto Oven Shutoff	6 Hours
Cooktop Features	
Right Front Induction Element (Watts)	10" - 2,500/3,400
Right Rear Induction Element (Watts)	6" - 1,500/1,900
Left Front Electric SpaceWise™ Bridge Element (Watts)	7" - 1,800/800
Left Rear Electric SpaceWise™ Bridge Element (Watts)	7" - 1,800/800
Keep Warm Zone (Watts)	100
Hot Surface Indicator Light	Yes
Oven Features	
Capacity (Cu. Ft.)	4.2
Oven Light	Yes
Hidden Bake Element	Yes
Rack Configuration	2 Handle Racks
Even Baking System	Yes
Broiling System	PowerPlus™
Bake Element/Broil Element (Watts)	2,500/4,000
Certifications	
A.D.A. Compliant <sup>1</sup>	Yes
Sabbath Mode (Star-K® Certified)	Yes
Specifications	
Oven Interior (H x W x D)	16-1/2" x 24-1/8" x 18-1/32"
Power Supply Connection Location	Left Bottom Rear
Voltage Rating	240V / 208V / 60 Hz
Connected Load (kW Rating) @ 240 / 208 Volts	13.2 / 9.9
Amps @ 240 / 208 Volts	55.0 / 48.0
Minimum Circuit Required (Amps)	50
Shipping Weight (Approx.)	270 Lbs.

<sup>1</sup>When properly installed, meets the appliance standards in the Americans with Disabilities Act and the Architectural Barriers Act Accessibility Guidelines as published by the United States Access Board on June 23, 2004, as amended August 5, 2005.



**NOTE:** Always consult local and national electric codes. Refer to Product Installation Guide for detailed installation instructions on the web at [frigidaire.com](http://frigidaire.com).



Product Dimensions	
A - Height	36-5/8"
B - Width	30"
C - Depth	28-5/16"
Depth with Door Open 90°	45-1/2"

Cutout Dimensions	
Height	35-7/8" min. 36-5/8" max.
Width	30-1/16" max.*
Depth	21-3/4" min 22-1/8" max.**

\*Cutout and countertop cutout width should match.  
\*\*24" with optional backguard installed.