

# JP346SMSS

## GE® 30" Built-In CleanDesign Electric Cooktop

### Dimensions and Installation Information (in inches)

KW Rating	
240V	7.6
208V	5.7
Breaker Size	
240V	40 Amps
208V	30 Amps

**Note:** If installing with a GE Profile™ Telescopic Downdraft System, consult both cooktop and downdraft installation instructions packed with product before installing. Cooktop gas/electric supply may need to be re-routed to install downdraft.

**Note:** Consult cabinet and countertop manufacturer's specs for flush mount installation prior to install.

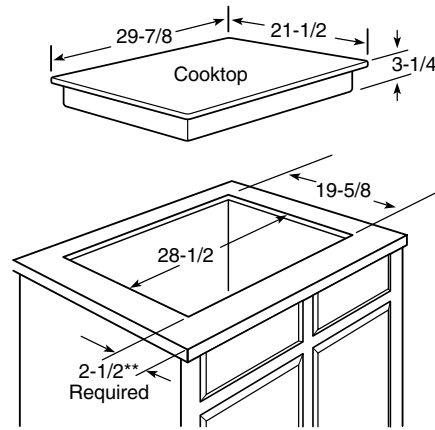
**Installation Information:** Requires a 5" free area between the bottom of the cooktop to any

combustible material, i.e., shelving. Free area not required when installing wall oven underneath cooktop. Refer to installation instructions. Requires a 15" minimum from cooktop to adjacent overhead cabinets. Units are furnished with a 48" flexible armored cable.

Before installing consult installation instructions, packed with product, for current dimensional data. 36" Ribbon cooktops are approved for use over GE 30" Single Wall Ovens only. 30" Ribbon cooktops are approved for use over select GE 27" and GE 30" Single Wall Ovens. Refer to cooktop and wall oven installation instructions packed with product for current dimensional data.

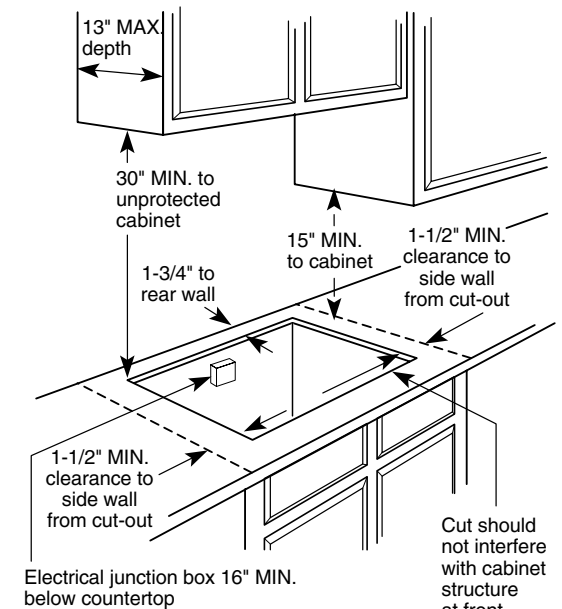
### Filler Trim Kit

When replacing an old GE 30" cooktop (with larger opening) use the following one-piece trim kit to fill in the over-size hole. Available at additional cost. JXTR32B (Black glass with black, white or bisque pattern)



\*Depth of unit at conduit connection location (rear) is 6-1/2" on models PP980/950 and 4-5/8" on models PP975/972/962/945/942/932/912, JP655/356/346.

\*\*Raised bull nose countertops may require up to 3/8" additional clearance to prevent interference with curved front.



For answers to your Monogram®, GE Profile™ or GE® appliance questions, visit our website at [ge.com](http://ge.com) or call GE Answer Center® service, 800.626.2000.



imagination at work



Listed by  
Underwriters  
Laboratories