

JP356SM

GE® 30" Built-In CleanDesign Electric Cooktop

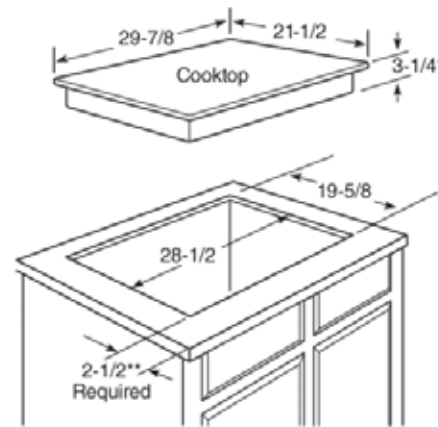
Dimensions and Installation Information (in inches)

KW Rating	
240V	7.6
208V	5.7
Breaker Size	
240V	40 Amps†
208V	30 Amps†

†**Note:** Check local codes for required breaker size

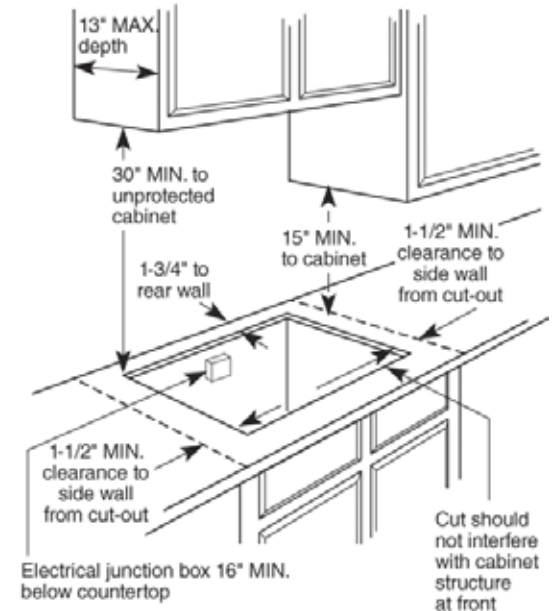
Important: Requires a 5" free area between the bottom of the cooktop to any combustible material, i.e., shelving. Free area not required when installing wall oven underneath cooktop. Refer to installation instructions. Requires a 15" minimum from cooktop to adjacent overhead cabinets. Units are furnished with a 48" flexible armored cable.

Note: 30" Ribbon cooktops are approved for use over select GE 27" and GE 30" Single Wall Ovens and Warming Drawers. Refer to cooktop and wall oven/warming drawer installation instructions packed with product for current dimensional data. If installed with a GE Profile™ Telescopic Downdraft System, consult both the cooktop and downdraft installation instructions packed with product before installing. Cooktop gas/electric supply may need to be re-routed to install downdraft. Consult cabinet and countertop manufacturer's specs for flush mount installation prior to install. **Before installing, consult installation instructions packed with product for current dimensional data.**



*Depth of unit at conduit connection location (rear) is 6-1/4" on models 945 and 4-5/8" on models PHP900, CP350, PP944/932/912 and JP356.

**Raised bull nose countertops may require up to 3/8" additional clearance to prevent interference with curved front.



For answers to your Monogram®, GE Profile™ or GE® appliance questions, visit our website at ge.com or call GE Answer Center® service, 800.626.2000.

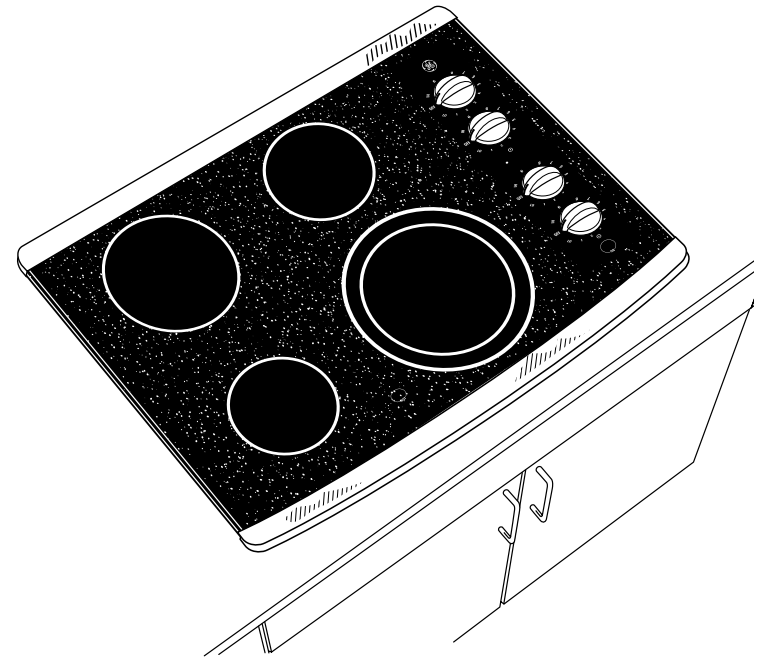


JP356SM

GE® 30" Built-In CleanDesign Electric Cooktop

Features and Benefits

- Ceramic Glass Cooktop - A smooth cooktop surface makes cleaning quick and easy
- Ribbon Heating Elements - Provide powerful heat beneath a smooth glass surface to ensure even heat and fast warm-up times
- Dual Size Ribbon Element - Offers a convenient choice of using a 9" or 12" heating element, depending on the size of the pan
- PowerBoil™ Element - Provides up to 3,000 watts of power to speed the boiling process
- Dishwasher-Safe Stainless Appearance Knobs - Deliver the sleek metallic color of stainless steel for a universally appealing look
- Stainless Steel Trim - Brings an added touch of style to any decor and perfectly complements all other stainless steel appliances in the kitchen
- Melt Setting - Optimized for melting chocolate, this setting delivers the low gentle heat needed
- Model JP356SMSS - Stainless steel



imagination at work